



US00D798928S

(12) **United States Design Patent** (10) **Patent No.:** **US D798,928 S**
Ebner (45) **Date of Patent:** **** Oct. 3, 2017**

- (54) **GEARBOX**
- (71) Applicant: **Wittenstein AG**, Igersheim (DE)
- (72) Inventor: **Siegfried Ebner**, Zell am See (AT)
- (73) Assignee: **Wittenstein SE**, Igersheim (DE)
- (**) Term: **15 Years**
- (21) Appl. No.: **29/571,499**
- (22) Filed: **Jul. 19, 2016**

(56) **References Cited**

U.S. PATENT DOCUMENTS

D479,541	S	*	9/2003	Lannoch	D15/148
D479,542	S	*	9/2003	Lannoch	D15/148
D497,374	S	*	10/2004	Wittenstein	D15/148
D514,607	S	*	2/2006	Wittenstein	D15/148
D529,939	S	*	10/2006	Wilhelm	D15/148
D704,756	S	*	5/2014	Voelker	D15/148
8,950,565	B2	*	2/2015	Adams	F16D 41/105 192/12 B
D777,815	S	*	1/2017	Ebner	D15/148
2004/0166986	A1	*	8/2004	Bayer	F16H 1/28 475/331
2006/0096412	A1	*	5/2006	Wittenstein	F16H 1/28 74/606 R

Related U.S. Application Data

- (62) Division of application No. 29/502,920, filed on Sep. 22, 2014, now Pat. No. Des. 777,815.

Foreign Application Priority Data

- (30) Jun. 30, 2014 (EM) 002493221
- (51) **LOC (10) Cl.** **15-09**
- (52) **U.S. Cl.**
USPC **D15/148**

- (58) **Field of Classification Search**
USPC D12/80; D15/148, 149; 74/640; 92/71;
192/38, 223.2; 475/331
CPC F16D 41/07; F16D 41/061-41/064; F16D
41/066; F16D 41/067; F16D 41/105;
F16H 1/28; F16H 1/46; F16H 49/001;
F16H 57/029; F16H 57/033; F16H
57/0482; F16H 57/082

See application file for complete search history.

* cited by examiner

Primary Examiner — Patricia Palasik
(74) *Attorney, Agent, or Firm* — Bachman & LaPointe, PC

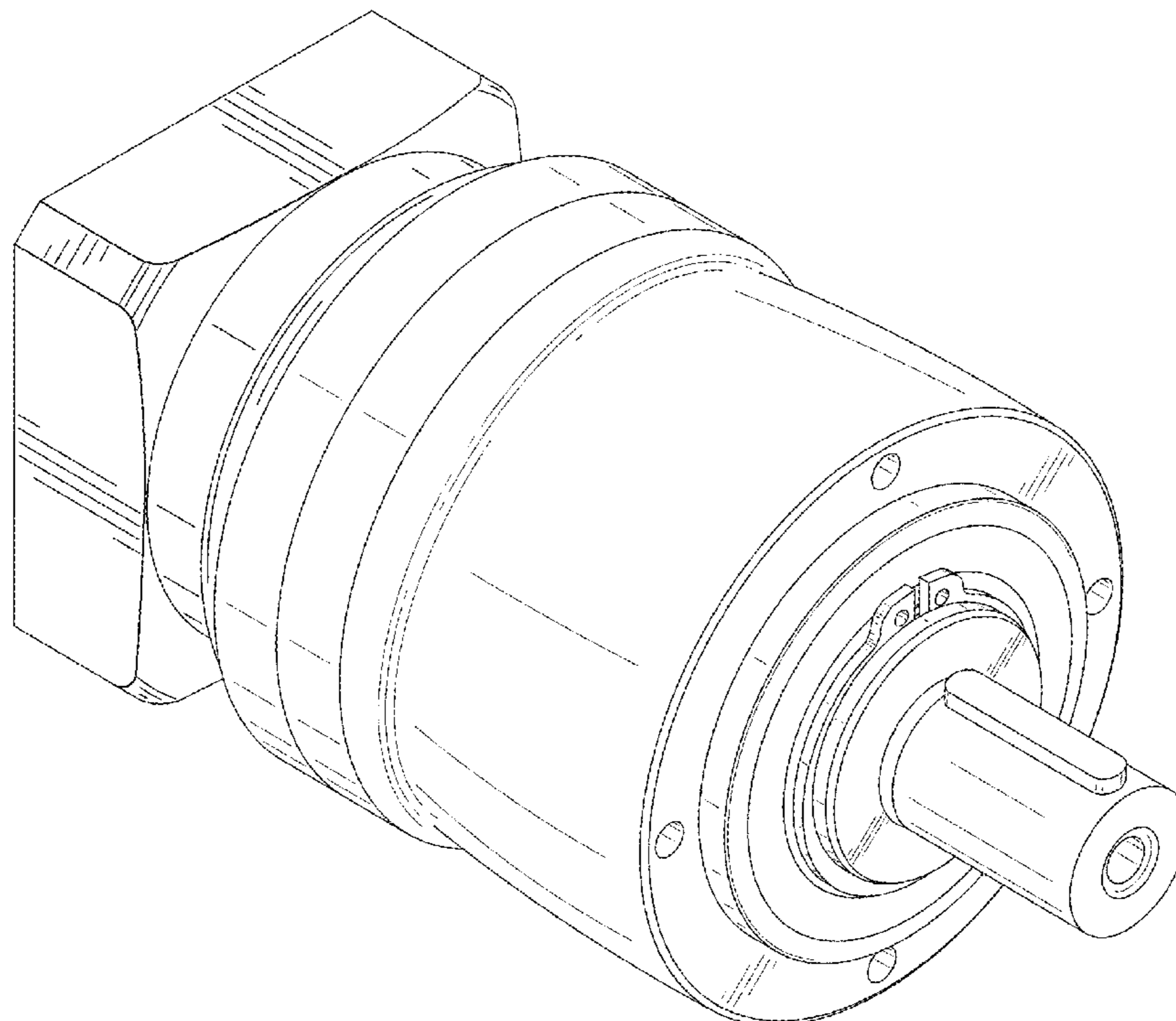
(57) **CLAIM**

The ornamental design of gearbox, as shown.

DESCRIPTION

FIG. 1 is a perspective view showing the ornamental design of a gearbox in accordance with the present invention; FIG. 2 is a side view of the embodiment of FIG. 1; FIG. 3 is a front view of the embodiment of FIG. 1; and, FIG. 4 is a back view of the embodiment of FIG. 1. The broken lines in the drawings depict unclaimed environmental subject matter.

1 Claim, 4 Drawing Sheets



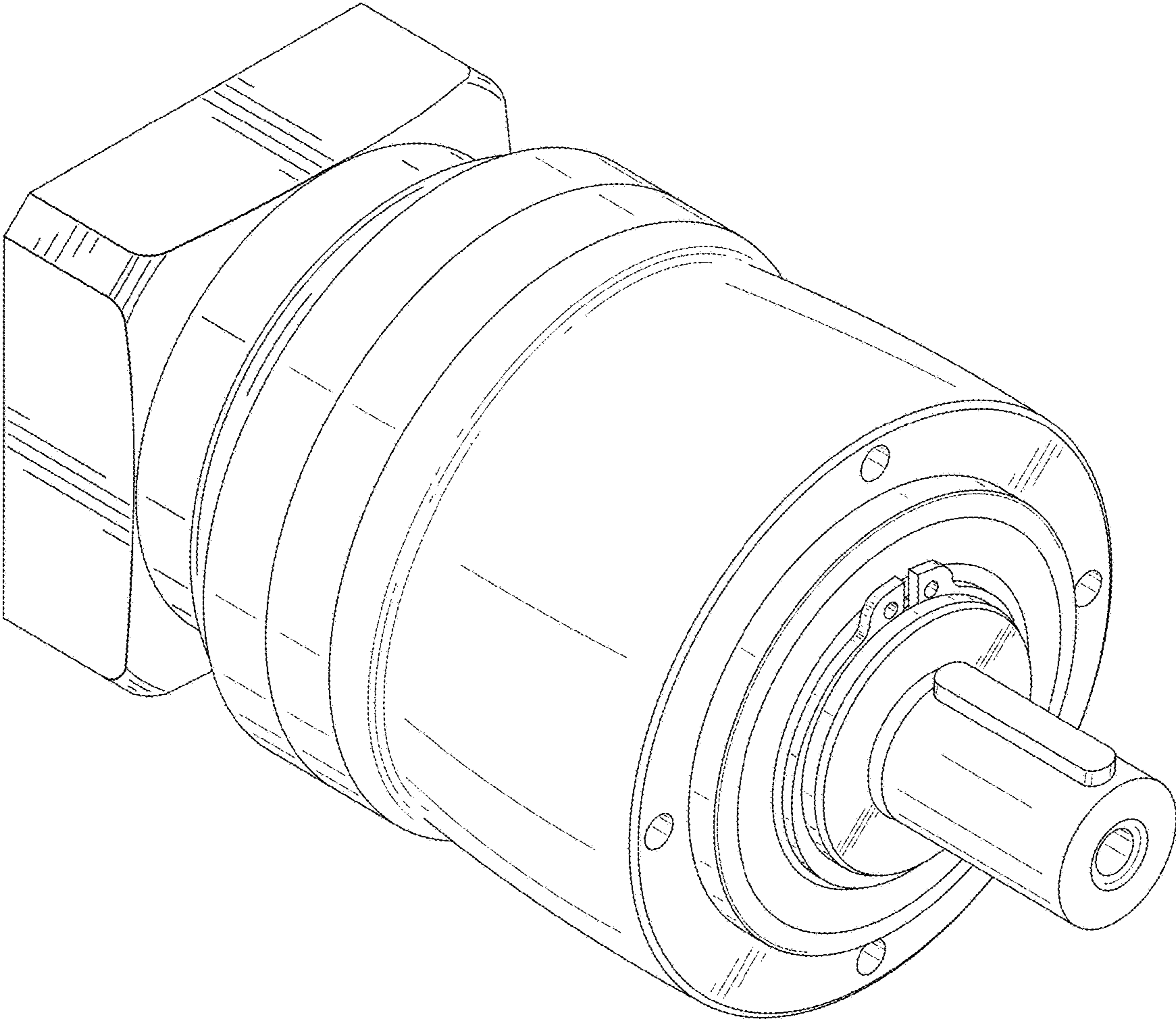


FIG. 1

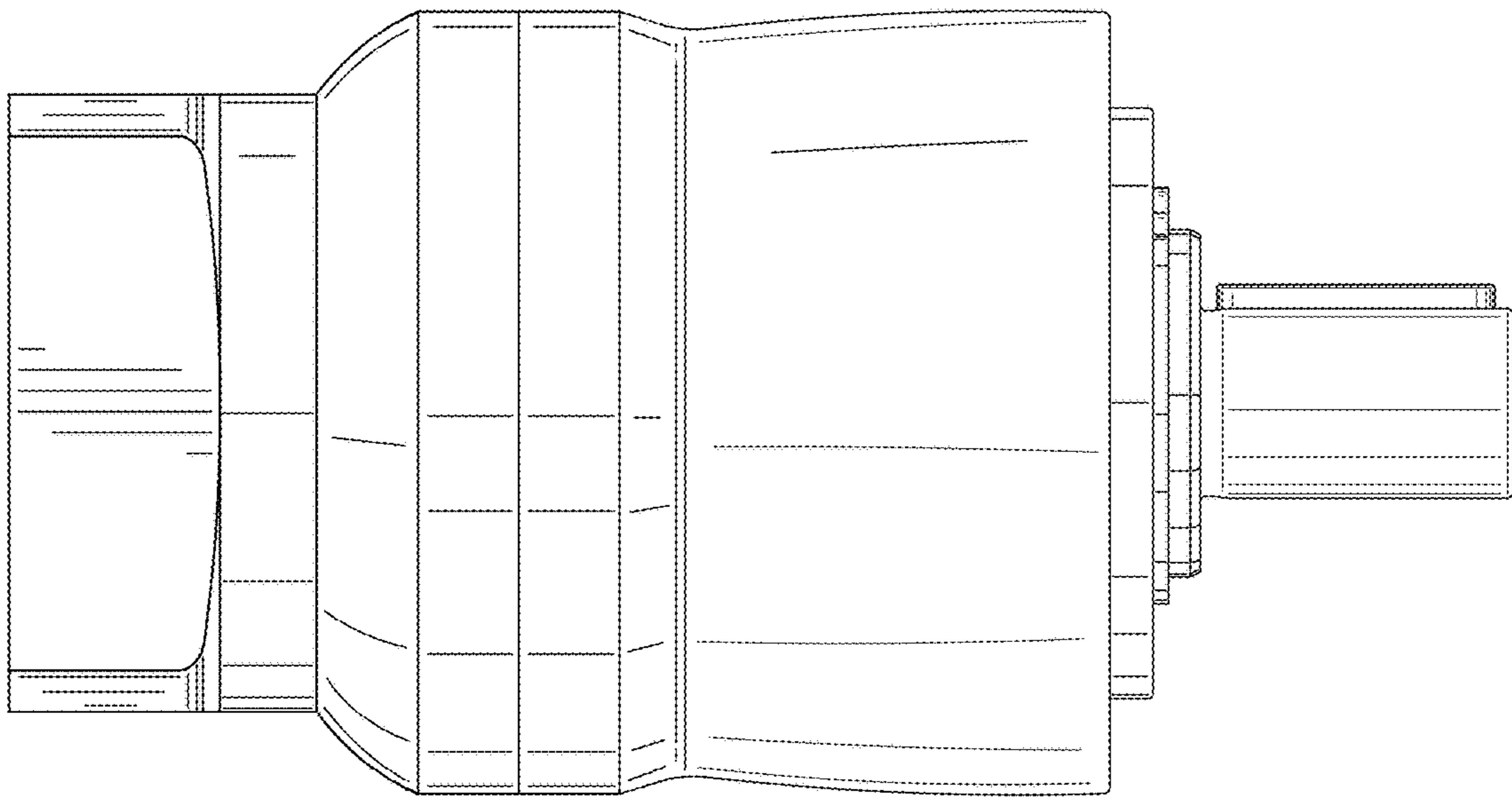


FIG. 2

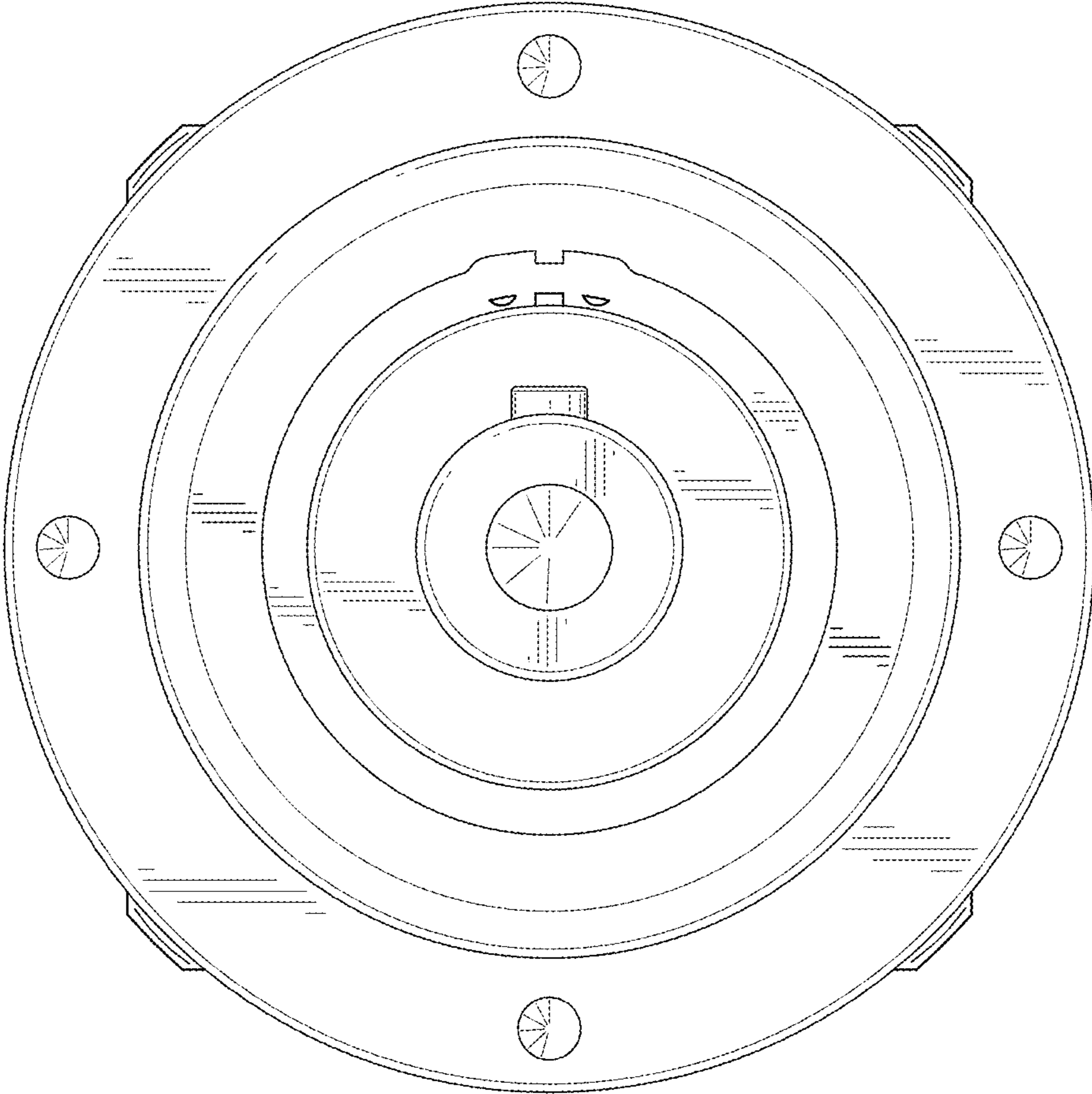


FIG. 3

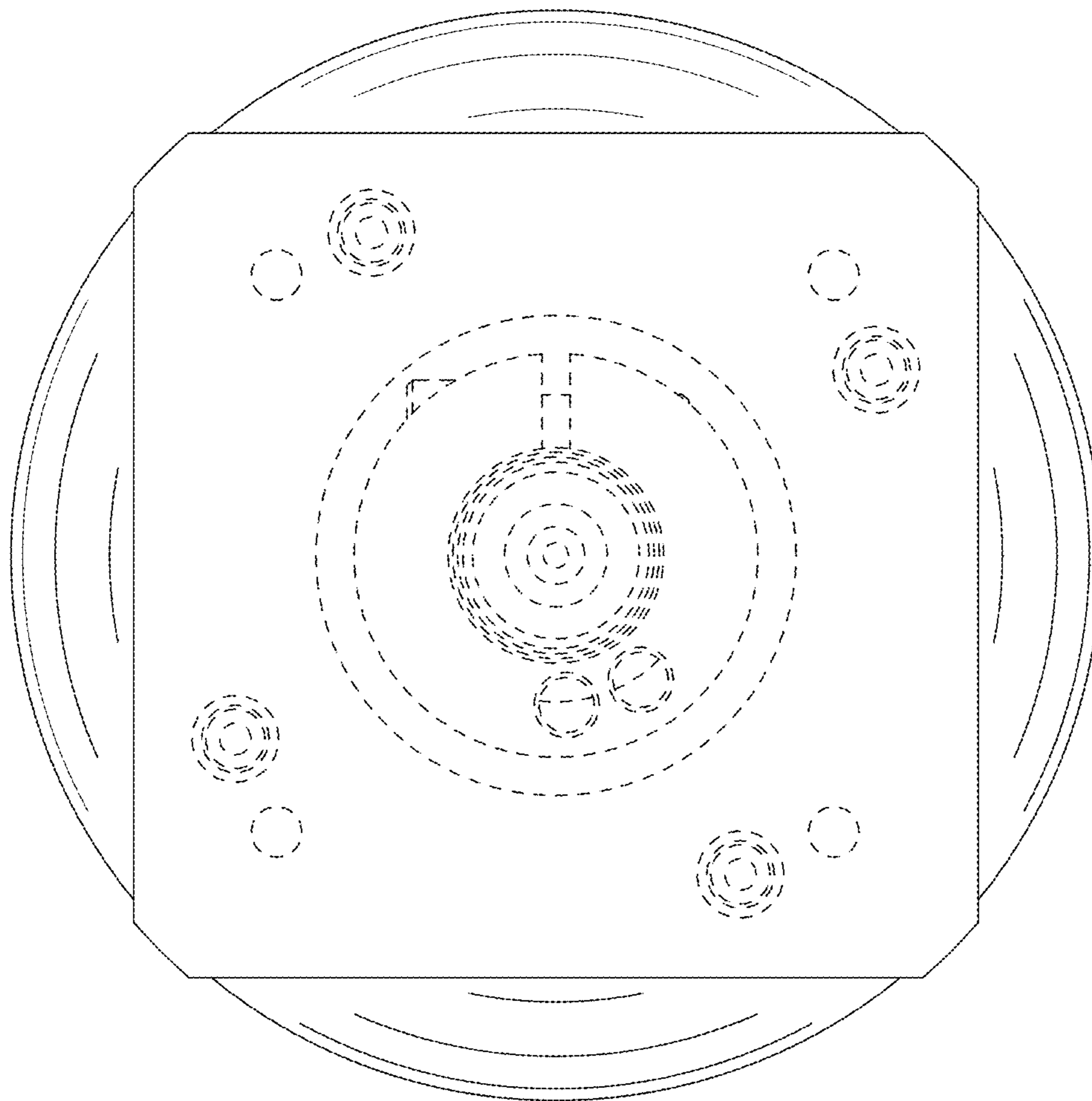


FIG. 4