



US00D798925S

(12) **United States Design Patent**  
**Hynek et al.**

(10) **Patent No.: US D798,925 S**

(45) **Date of Patent: \*\* Oct. 3, 2017**

- (54) **LINEAR GUIDEWAY**
- (71) Applicants: **Martin Hynek**, Plzen (CZ); **Tomas Keckstein**, Tlustice (CZ); **Simon Pusman**, Podbrdy (CZ)
- (72) Inventors: **Martin Hynek**, Plzen (CZ); **Tomas Keckstein**, Tlustice (CZ); **Simon Pusman**, Podbrdy (CZ)
- (73) Assignee: **ZAPADOCEKA UNIVERZITA V PLZNI**, Plzen (CZ)
- (\*\*) Term: **15 Years**
- (21) Appl. No.: **29/565,843**
- (22) Filed: **May 25, 2016**
- (51) **LOC (10) Cl. .... 15-09**
- (52) **U.S. Cl.**  
USPC ..... **D15/143**
- (58) **Field of Classification Search**  
USPC ..... D15/5, 7, 136, 143, 148, 149, 199;  
D10/85, 46; D13/118, 158, 162, 184;  
D25/119; D26/138; 184/5, 105.3;  
384/13, 45, 49, 51, 53, 55, 7  
CPC ..... B23Q 5/34; E04F 11/1842; F16C 29/005;  
F16C 29/063; F16C 29/0676; F16H  
2025/2034; F28F 3/12  
See application file for complete search history.

(56) **References Cited**

**U.S. PATENT DOCUMENTS**

- 3,938,854 A \* 2/1976 Teramachi ..... B23Q 1/40  
384/45
- 4,040,679 A \* 8/1977 Teramachi ..... B23Q 1/40  
384/45
- 4,502,737 A \* 3/1985 Osawa ..... F16C 29/0607  
384/45
- 5,131,125 A \* 7/1992 Coron ..... B23Q 1/58  
198/346.1

- D351,848 S \* 10/1994 Yamazaki ..... D15/143
- 5,429,438 A \* 7/1995 Wood ..... F16C 29/02  
384/26
- D363,297 S \* 10/1995 Yoshikawa ..... D15/143
- D373,963 S \* 9/1996 Nagai ..... D10/85
- 5,555,633 A \* 9/1996 Stott ..... G01B 5/0014  
33/503
- D378,680 S \* 4/1997 Ikumi ..... D15/7
- 5,915,840 A \* 6/1999 Zaguroli, Jr. .... F16C 29/005  
384/53
- D428,617 S \* 7/2000 Hariwara ..... D15/7
- D489,829 S \* 5/2004 Barnett ..... D25/119
- D489,830 S \* 5/2004 Barnett ..... D25/119
- D554,164 S \* 10/2007 Naruse ..... D15/143
- D562,365 S \* 2/2008 Navarro ..... D15/143
- D562,366 S \* 2/2008 Navarro ..... D15/143
- D562,367 S \* 2/2008 Navarro ..... D15/143
- 7,383,670 B1 \* 6/2008 Meyers ..... E04F 13/081  
156/71
- D574,865 S \* 8/2008 Cheng ..... D10/46
- D575,177 S \* 8/2008 Suzuki ..... D10/85

(Continued)

*Primary Examiner* — Patricia Palasik

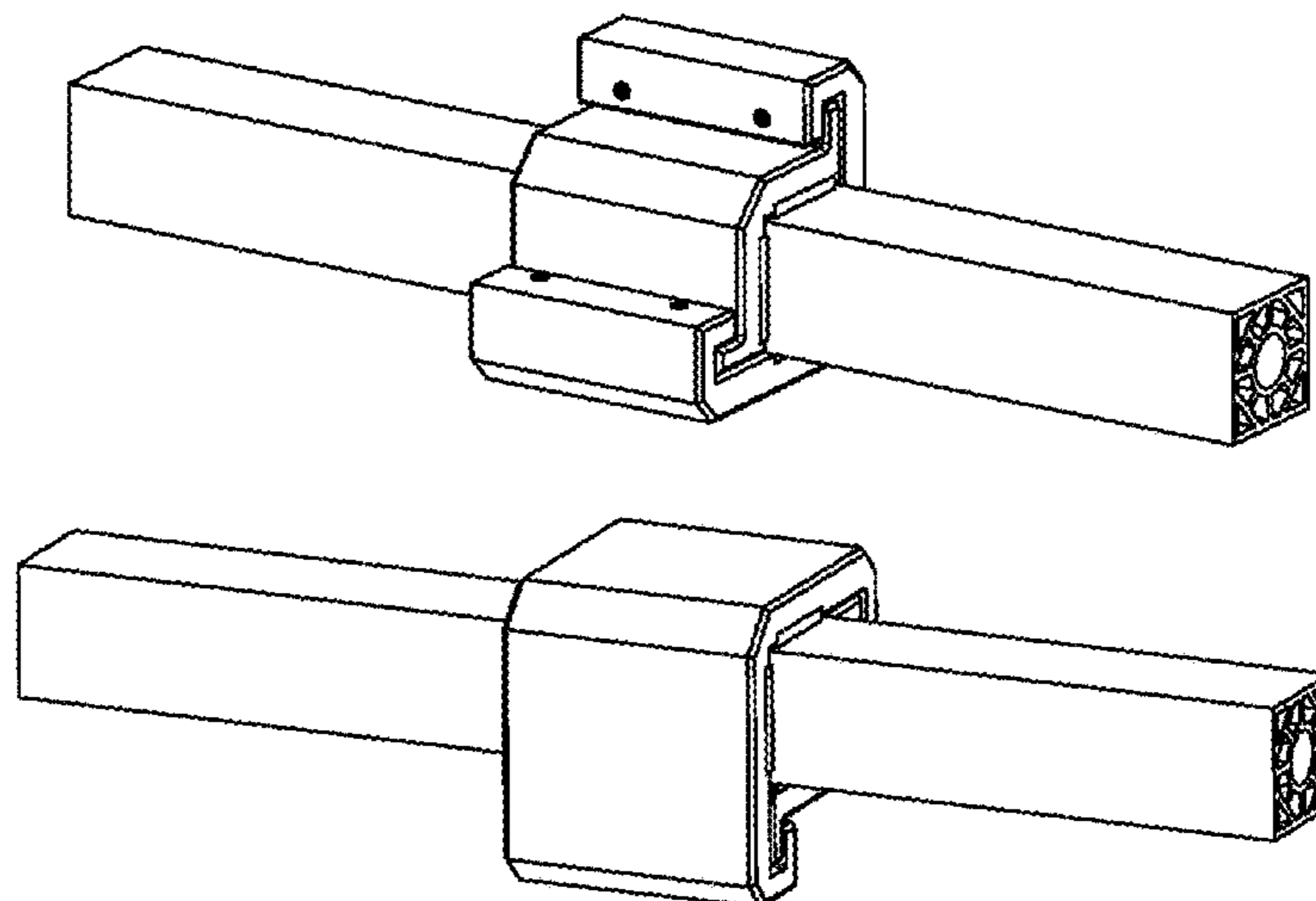
(57) **CLAIM**

The ornamental design for a linear guideway, as shown and described.

**DESCRIPTION**

FIG. 1 is a front elevational view of a linear guideway showing my new design;  
 FIG. 2 is a top plan view thereof;  
 FIG. 3 is a bottom plan view thereof;  
 FIG. 4 is a left side elevational view thereof; a right side elevational view is a mirror image of the left side elevational view;  
 FIG. 5 is a front, right perspective view thereof;  
 FIG. 6 is a rear, right perspective view thereof;  
 FIG. 7 is a top, right perspective view thereof; and,  
 FIG. 8 is a bottom, right perspective view thereof.

**1 Claim, 2 Drawing Sheets**



(56)

**References Cited**

U.S. PATENT DOCUMENTS

D587,733 S \* 3/2009 Niedermeyer ..... D15/143  
D599,387 S \* 9/2009 Chuo ..... D15/143  
D621,090 S \* 8/2010 Klu ..... D26/138  
7,985,024 B2 \* 7/2011 Matsumoto ..... B29C 33/005  
29/898.067  
D657,406 S \* 4/2012 Saito ..... D15/143  
D664,169 S \* 7/2012 Shirai ..... D15/143  
2005/0019545 A1 \* 1/2005 Riebel ..... C08L 3/02  
428/304.4  
2007/0076989 A1 \* 4/2007 Matsumoto ..... F16C 29/0638  
384/45  
2010/0040312 A1 \* 2/2010 Rudy ..... F16C 29/005  
384/7  
2010/0162582 A1 \* 7/2010 Shiao ..... F16C 29/00  
33/708  
2013/0259409 A1 \* 10/2013 Tsao ..... F16C 33/6659  
384/13  
2016/0073547 A1 \* 3/2016 Maloney ..... H05K 7/02  
211/26  
2016/0108955 A1 \* 4/2016 Kuo ..... F16C 29/0638  
384/55

\* cited by examiner

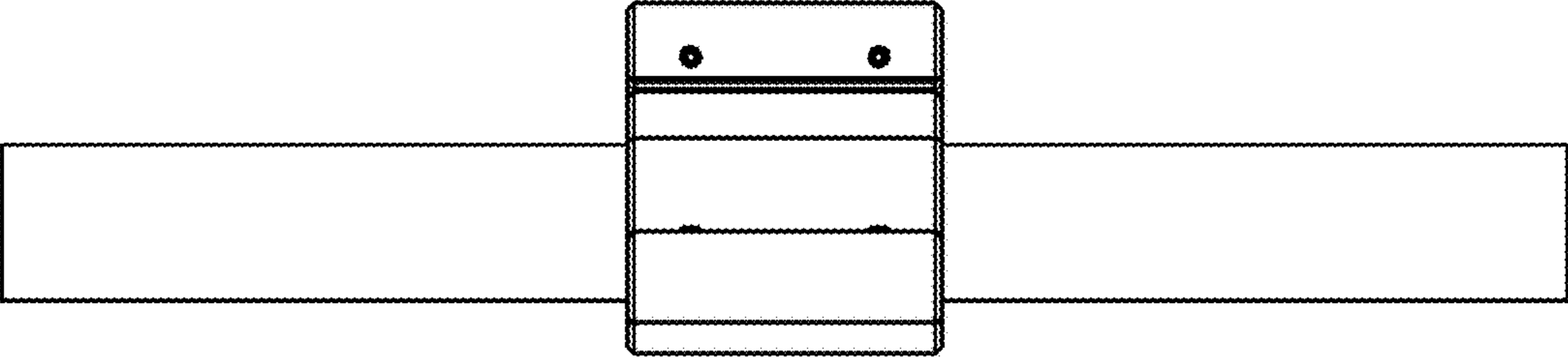


FIG. 1

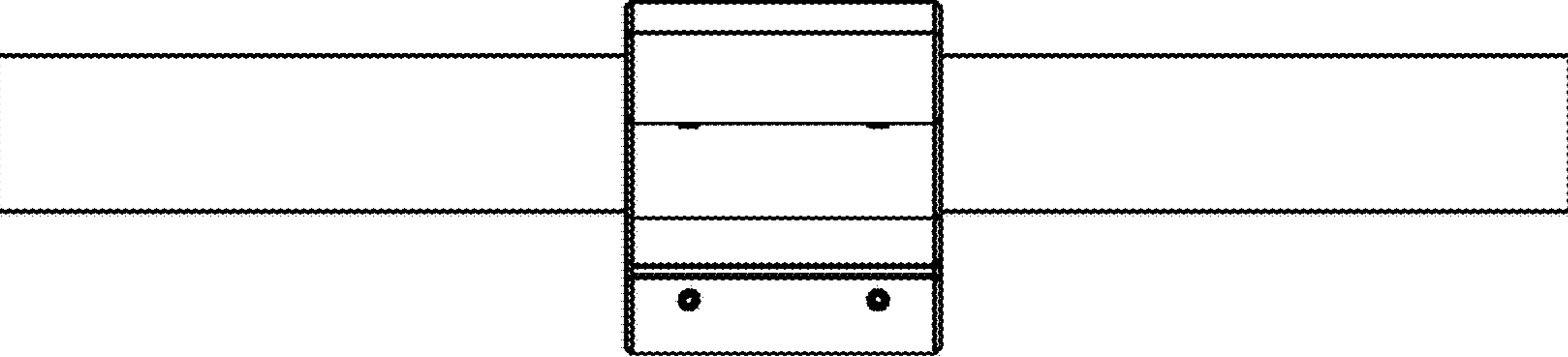


FIG. 2

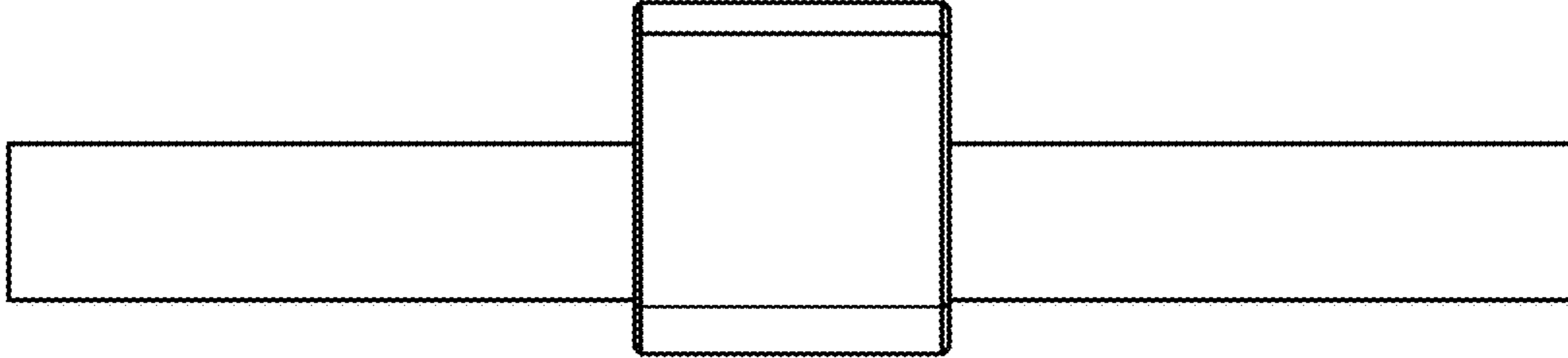


FIG. 3

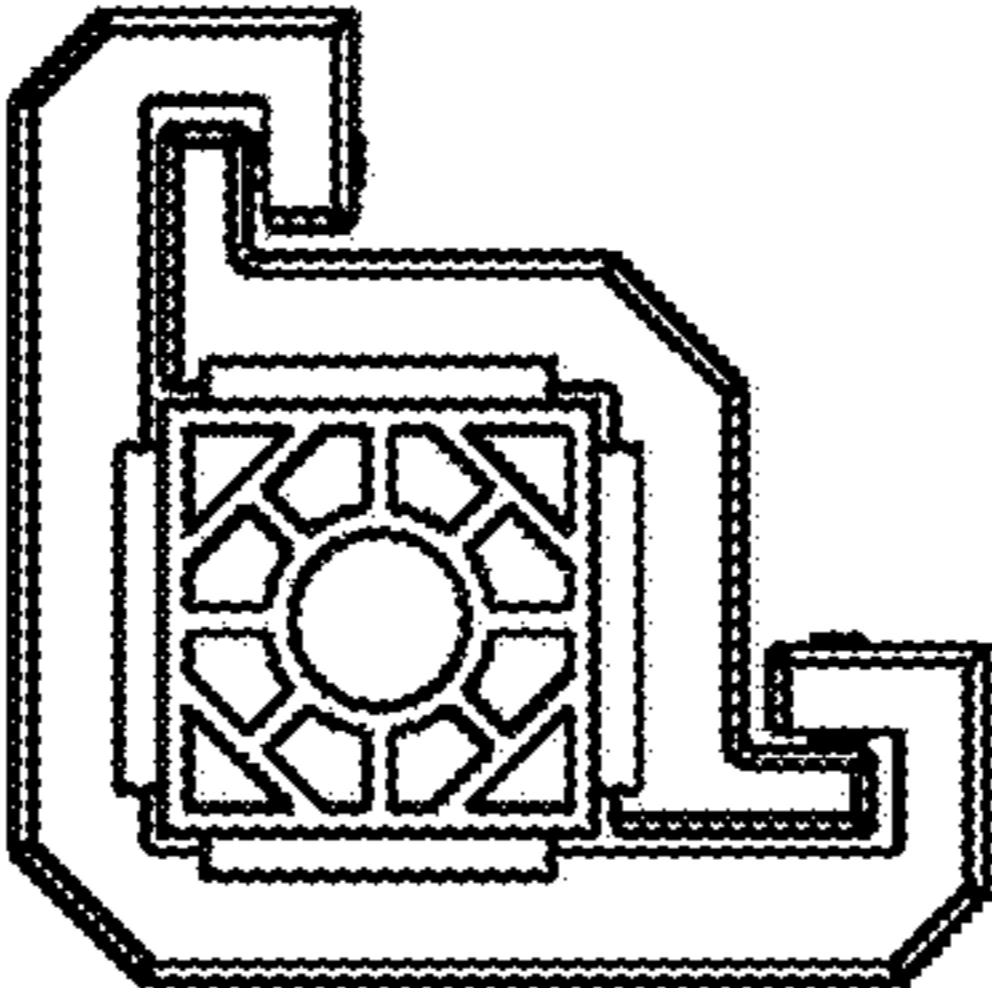


FIG. 4

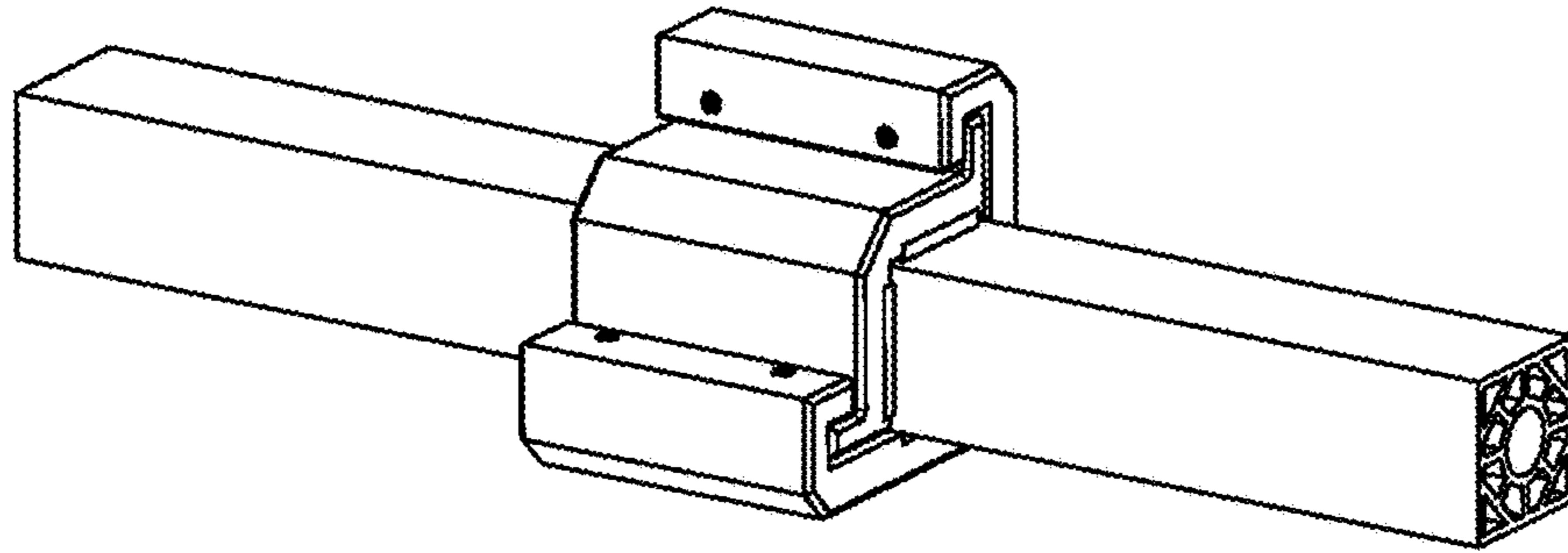


FIG. 5

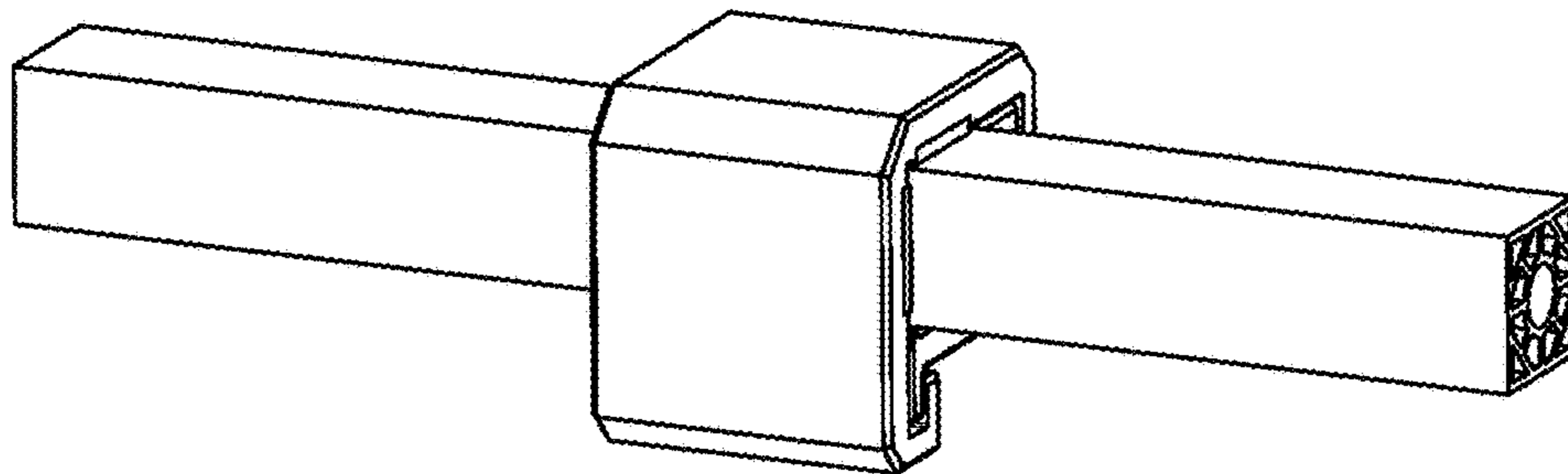


FIG. 6

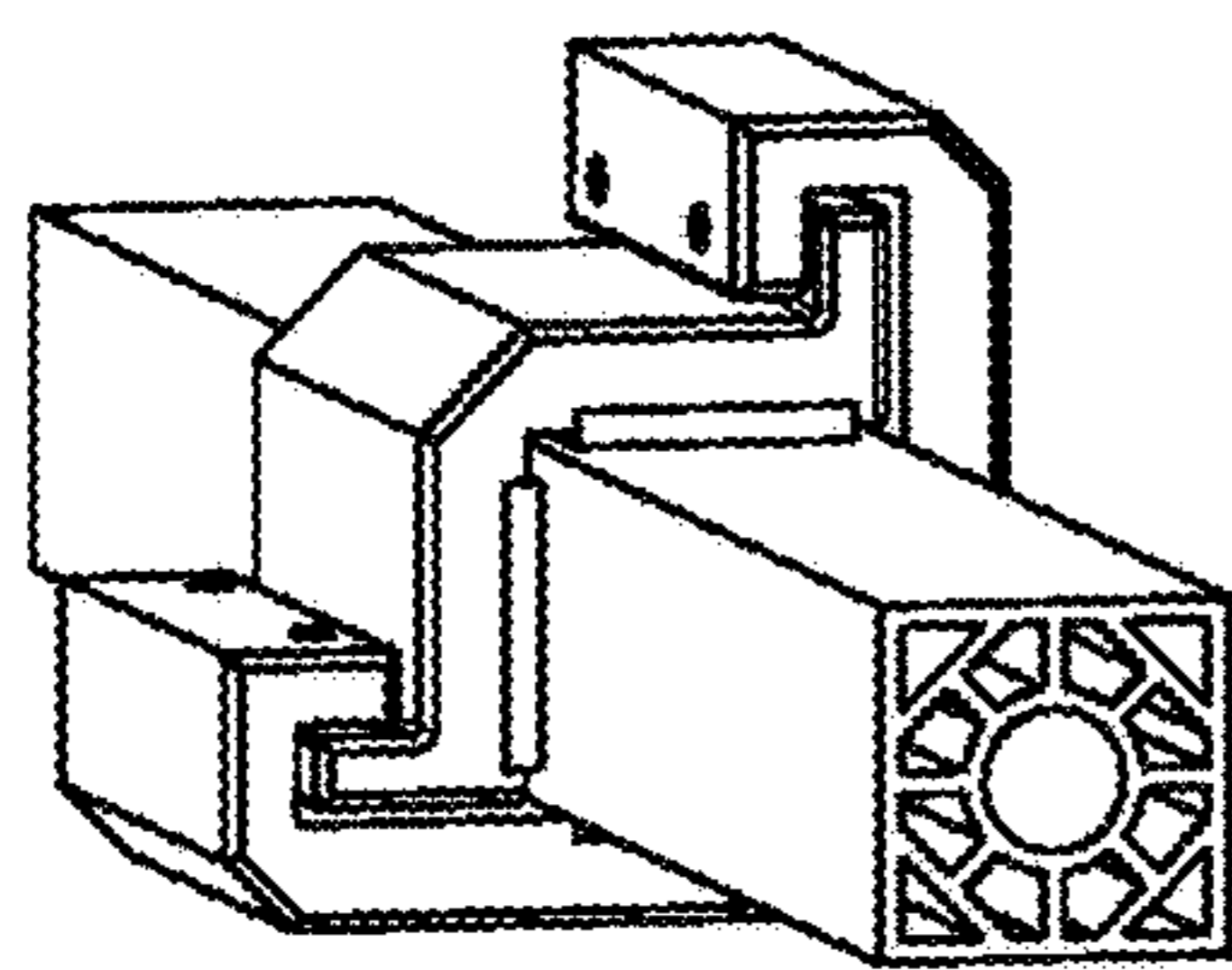


FIG. 7

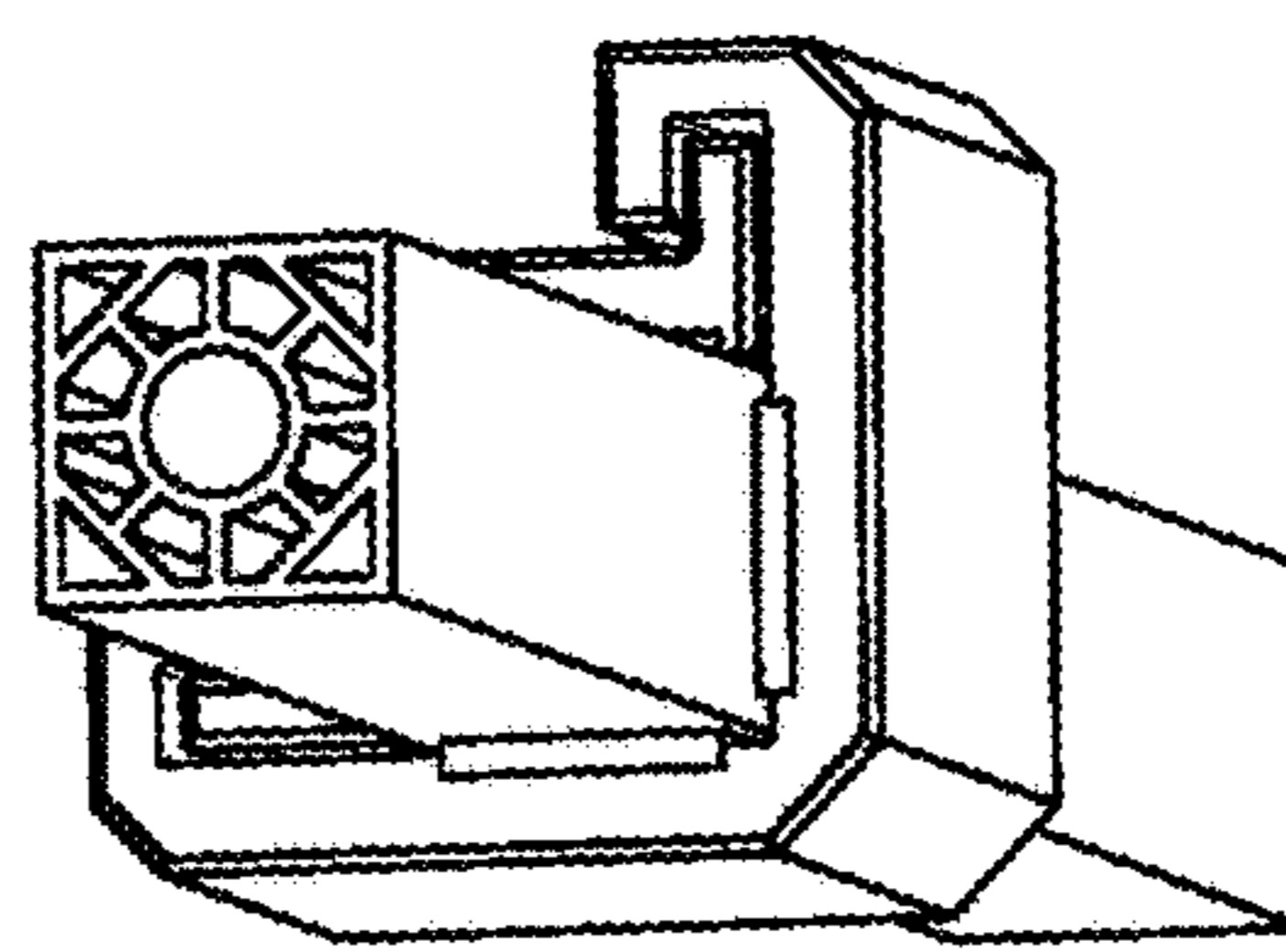


FIG. 8