



US00D798924S

(12) **United States Design Patent** (10) **Patent No.:** **US D798,924 S**
Min et al. (45) **Date of Patent:** **** Oct. 3, 2017**

(54) **TOOL HOLDER FOR GROOVING MACHINE TOOL**

(71) Applicant: **KORLOY INC.**, Seoul (KR)

(72) Inventors: **Byung Hoon Min**, Cheongju-si (KR);
Young Heum Kim, Cheongju-si (KR);
Sung Guen Shin, Cheongju-si (KR);
Dong Sub An, Cheongju-si (KR); **Hyo San Kim**, Cheongju-si (KR)

(**) Term: **15 Years**

(21) Appl. No.: **35/500,973**

(22) Filed: **Apr. 4, 2016**

(80) **Hague Agreement Data**

Int. Filing Date: **Apr. 4, 2016**
Int. Reg. No.: **DM/090460**
Int. Reg. Date: **Apr. 4, 2016**
Int. Reg. Pub. Date: **May 20, 2016**

(30) **Foreign Application Priority Data**

Nov. 18, 2015 (KR) 30-2015-0057953

(51) **LOC (10) Cl.** **15-09**

(52) **U.S. Cl.**
USPC **D15/140**

(58) **Field of Classification Search**
USPC D15/139-140; D8/7, 81
CPC ... B23B 29/043; B23B 27/04; B23B 2220/12;
B23B 2222/16; B23B 29/03453; B23B
51/048; B23B 2210/02; B23B 2210/022
See application file for complete search history.

(56) **References Cited**

U.S. PATENT DOCUMENTS

5,743,680 A * 4/1998 Von Haas B23B 27/04
407/110
6,116,823 A * 9/2000 Mihic B23C 5/08
407/109

7,887,267 B2 * 2/2011 Niemi B23B 27/045
407/114
8,696,262 B2 * 4/2014 Hecht B23B 27/045
407/113
9,050,658 B2 * 6/2015 Hecht B23B 27/04
9,180,523 B2 * 11/2015 Gustavsson B23B 29/043
9,242,300 B2 * 1/2016 Kaufmann B23B 27/1666
9,403,214 B2 * 8/2016 Hecht B23B 27/04
9,475,122 B2 * 10/2016 Andersson B23B 27/045
2013/0202372 A1 * 8/2013 Hecht B23B 27/10
407/107
2014/0321926 A1 * 10/2014 Sadikov B23B 27/10
407/11
2015/0209865 A1 * 7/2015 Malka B23B 27/086
407/11
2016/0023286 A1 * 1/2016 Chang B23C 5/08
407/48
2016/0175942 A1 * 6/2016 Sevdic B23B 27/04
407/107

* cited by examiner

Primary Examiner — Michael A Pratt

(57) **CLAIM**

The ornamental design for a tool holder for grooving machine tool, as shown and described.

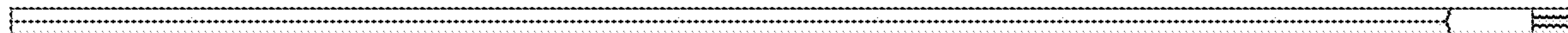
DESCRIPTION

1. Tool holder for grooving machine tool

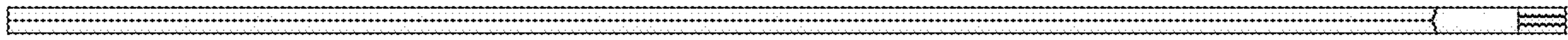
- 1.1 : Bottom
- 1.2 : Front
- 1.3 : Left
- 1.4 : Perspective
- 1.5 : Top
- 1.6 : Back
- 1.7 : Right

The material is made of metal; the claimed design relates to a tool holder for grooving machine tool which is used for processing the metallic workpiece.

1 Claim, 7 Drawing Sheets



1.1



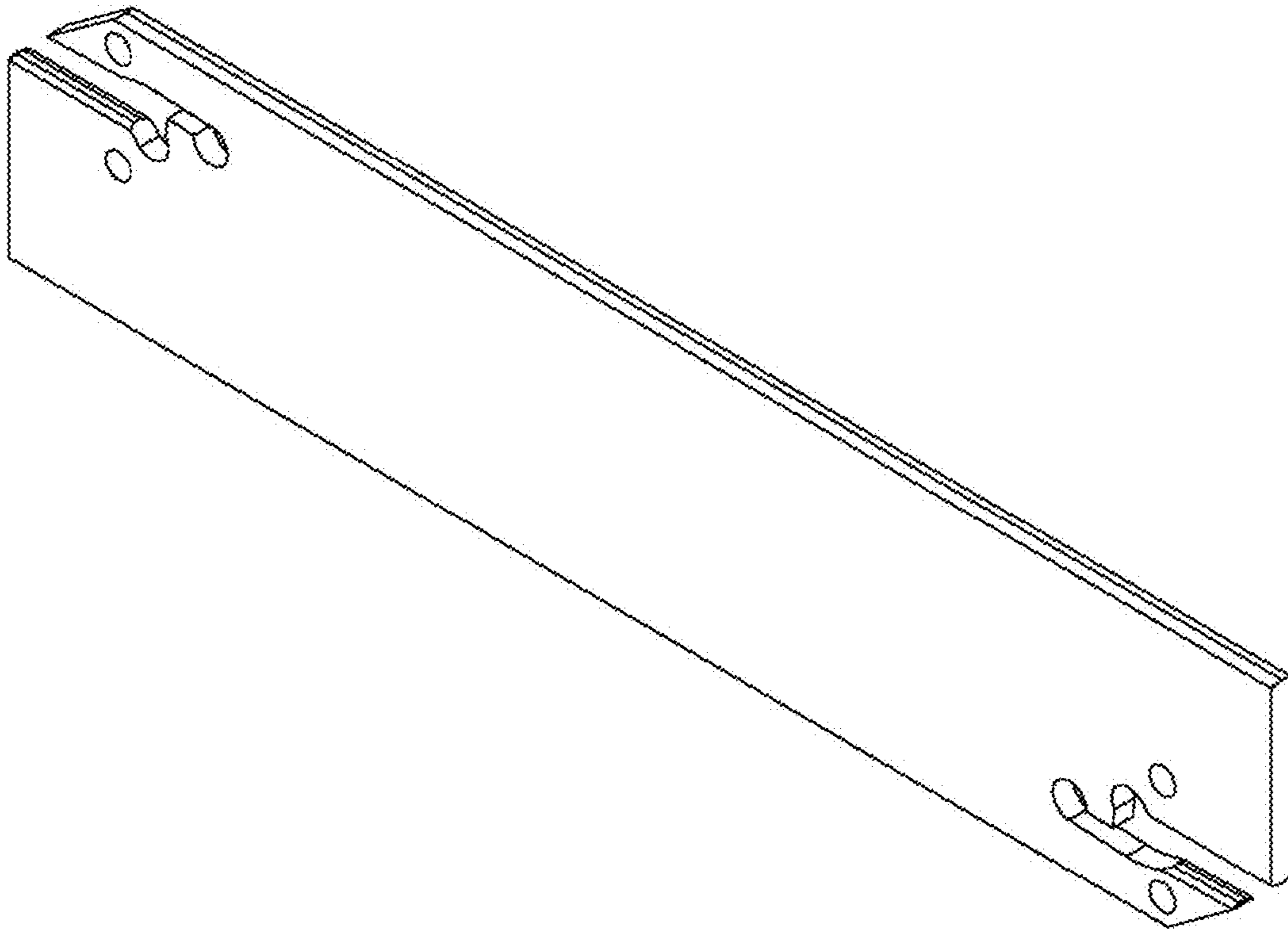
1.2



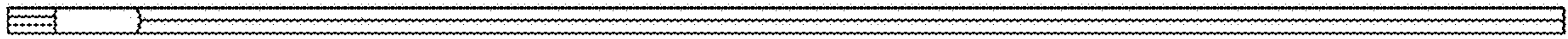
1.



1.4



1.5



1.6



1.7

