



US00D798923S

(12) **United States Design Patent** (10) **Patent No.:** **US D798,923 S**
Homola (45) **Date of Patent:** **** Oct. 3, 2017**

(54) **MIXING APPARATUS**

(71) Applicant: **Kyle John Homola**, Kalispell, MT (US)

(72) Inventor: **Kyle John Homola**, Kalispell, MT (US)

(**) Term: **15 Years**

(21) Appl. No.: **29/583,299**

(22) Filed: **Nov. 3, 2016**

(51) **LOC (10) Cl.** **15-09**

(52) **U.S. Cl.**
USPC **D15/139**

(58) **Field of Classification Search**

USPC D15/126, 127-132, 138-140, 199; D8/8, D8/9, 82, 87, 499; D7/376-380, 412
CPC E21B 43/24; E21B 33/138; E21B 43/26; E21B 47/00; E21B 47/102; E21B 49/00; E21B 4/003; E21B 17/01; E21B 19/00; E21B 19/20; E21B 2034/007; E21B 2049/085; E21B 23/04; E21B 23/06; E21B 23/14; E21B 33/03; E21B 33/035; E21B 33/038; E21B 33/10; E21B 33/13; E21B 33/14; E21B 34/02; E21B 34/04; E21B 34/06; E21B 34/14; E21B 36/00; E21B 36/02; E21B 3/00; E21B 41/00; E21B 41/0085; E21B 43/00; E21B 43/04; E21B 43/08; E21B 43/082

See application file for complete search history.

(56) **References Cited**

U.S. PATENT DOCUMENTS

4,065,107 A * 12/1977 Van Horbek A47J 43/1068 366/129
D267,405 S * 12/1982 Wilson D15/21

D408,424 S * 4/1999 Schmotzer D15/139
D537,693 S * 3/2007 Watanabe D15/139
D538,127 S * 3/2007 Watanabe D15/139
D538,128 S * 3/2007 Watanabe D15/139
D611,073 S * 3/2010 Ettlin D15/138
D611,968 S * 3/2010 Ettlin D15/138
D611,969 S * 3/2010 Ettlin D15/138
D664,262 S * 7/2012 Khan D15/29
D729,573 S * 5/2015 Moon D7/376
D734,792 S * 7/2015 Santamarina D15/139
D737,875 S * 9/2015 Santamarina D15/139
D741,924 S * 10/2015 Lee D15/139
D766,658 S * 9/2016 Strommer D7/376
D774,571 S * 12/2016 Robertson D15/135
D788,197 S * 5/2017 Ford D15/138

* cited by examiner

Primary Examiner — Ian Simmons

Assistant Examiner — Khawaja Anwar

(74) *Attorney, Agent, or Firm* — Law Office of Jeff Williams; J. Oliver Williams

(57) **CLAIM**

The ornamental design for a mixing apparatus, as shown and described.

DESCRIPTION

FIG. 1 is an oblique view of a mixing apparatus according to the present application.

FIG. 2 is a front view of the mixing apparatus of FIG. 1.

FIG. 3 is a rear view of the mixing apparatus of FIG. 1.

FIG. 4 is a right view of the mixing apparatus of FIG. 1.

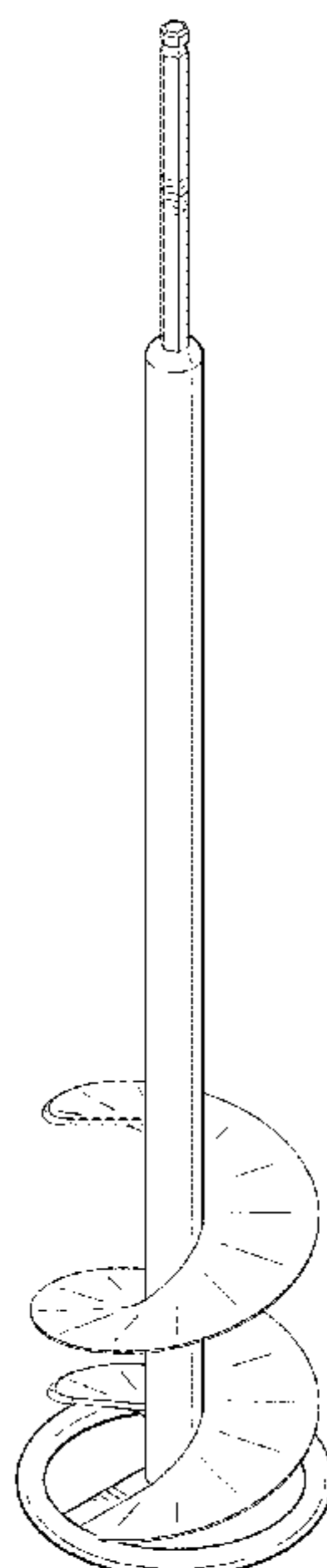
FIG. 5 is a left view of the mixing apparatus of FIG. 1.

FIG. 6 is a top view of the mixing apparatus of FIG. 1; and,

FIG. 7 is a bottom view of the mixing apparatus of FIG. 1.

The broken lines are included for the purpose of illustrating environmental structure and form no part of the claimed design.

1 Claim, 4 Drawing Sheets



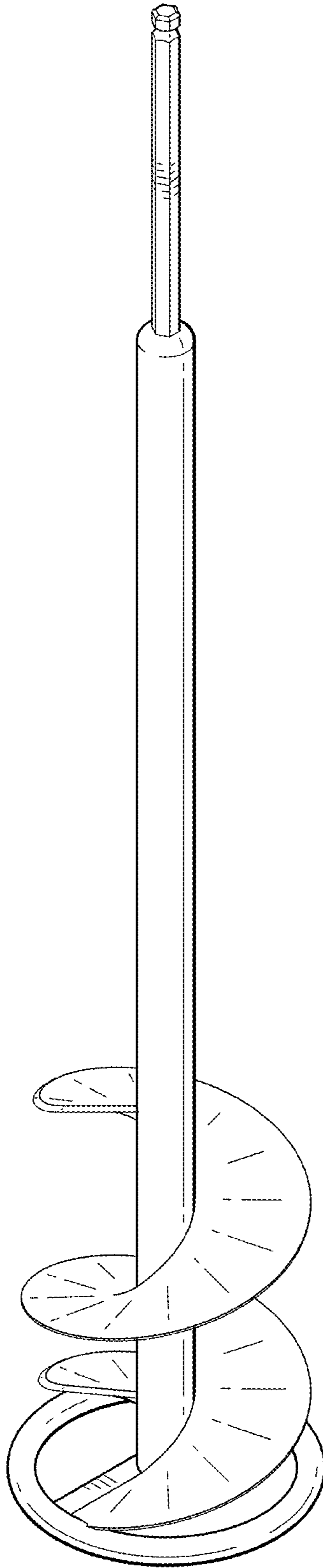


FIG. 1

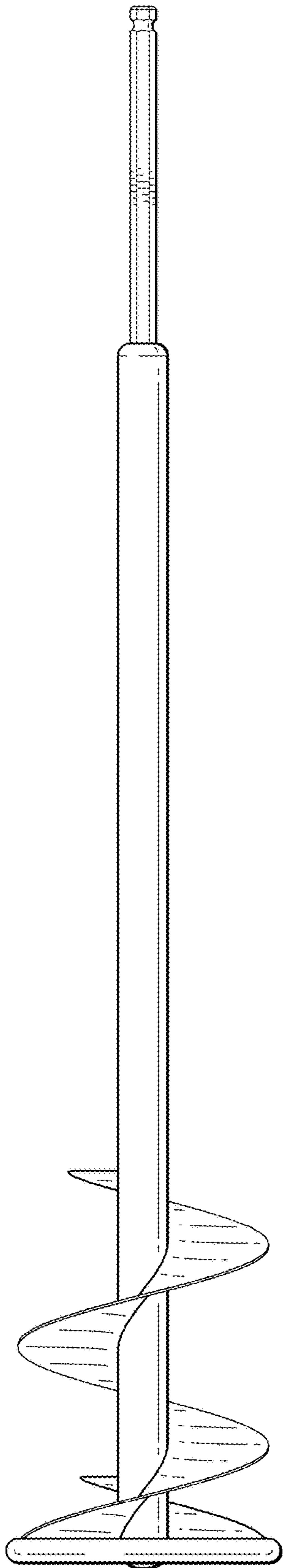


FIG. 2

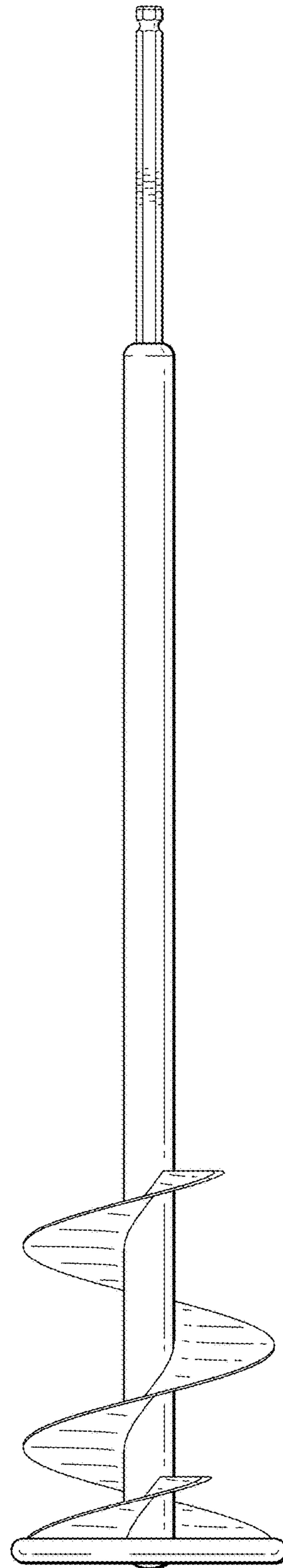


FIG. 3

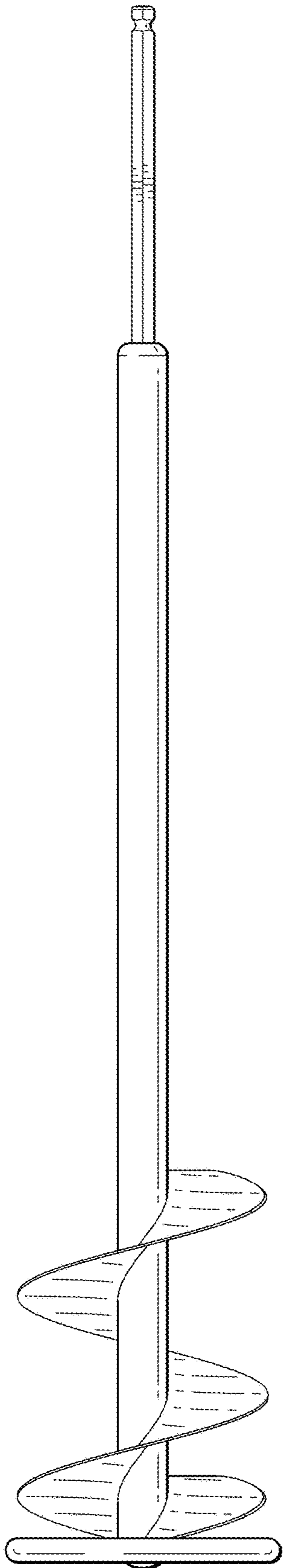


FIG. 4

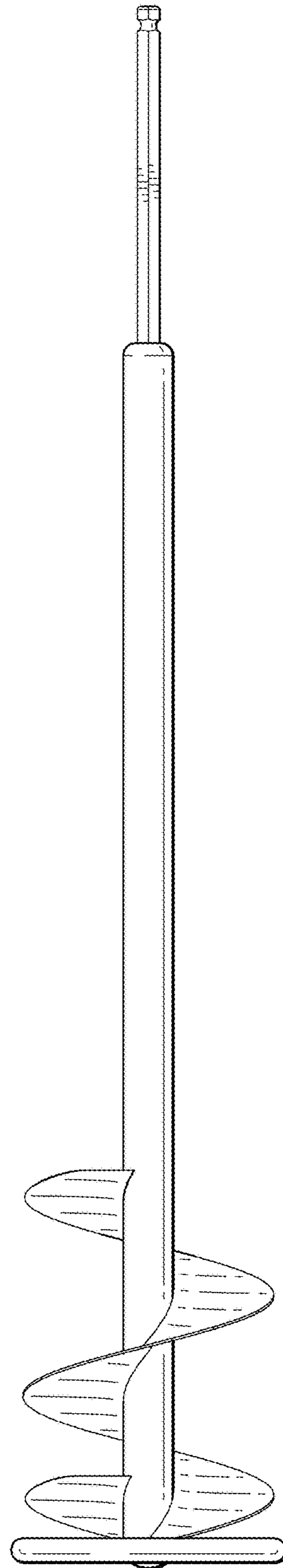


FIG. 5

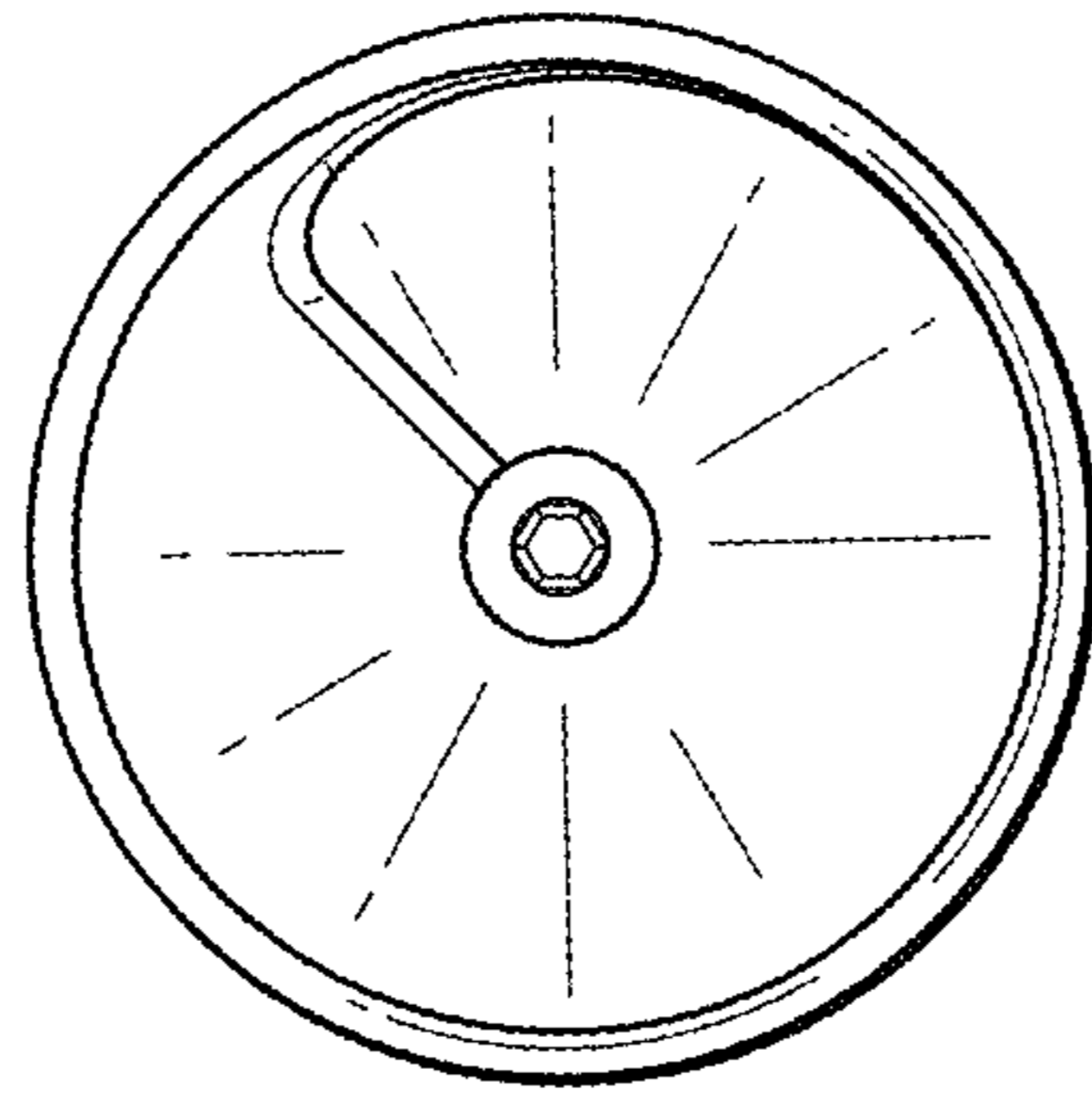


FIG. 6

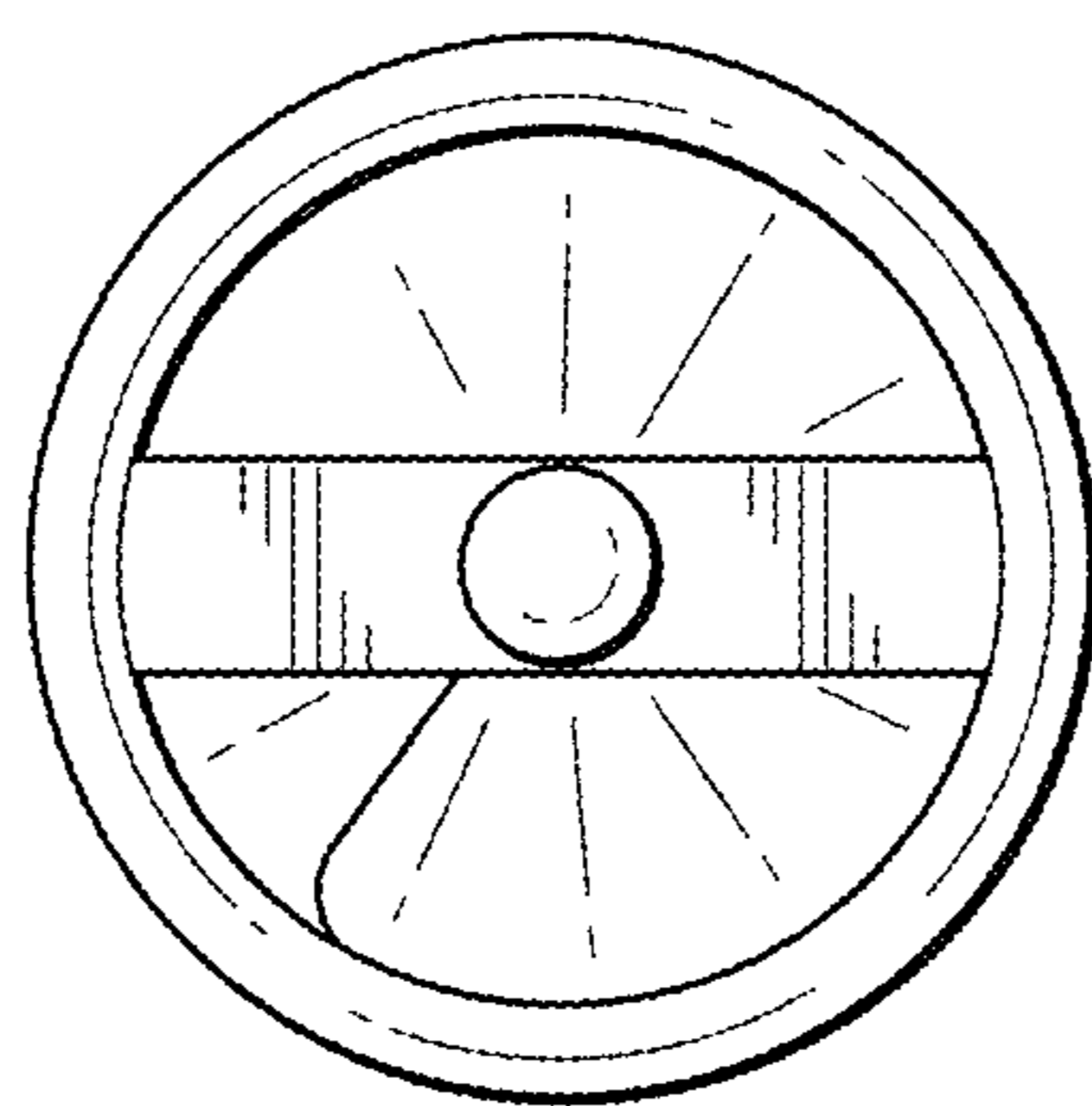


FIG. 7