



US00D798922S

(12) **United States Design Patent**
Frota de Souza Filho et al.

(10) **Patent No.:** **US D798,922 S**
(45) **Date of Patent:** **** Oct. 3, 2017**

(54) **CUTTING HEAD FOR ROTARY DRILL**
(71) Applicant: **Kennametal Inc.**, Latrobe, PA (US)
(72) Inventors: **Ruy Frota de Souza Filho**, Latrobe, PA (US); **Juergen Schwaegerl**, Vohenstrauss (DE); **Horst Jaeger**, Nürnberg (DE); **Berthold Zeug**, Fuerth (DE); **Alan Joseph Bookheimer**, Greensburg, PA (US); **Nicholas Joseph Henry**, Greensburg, PA (US)

932,071 A 8/1909 Urbscheit
1,461,548 A 7/1923 West
2,158,120 A 5/1939 Hirschberg
2,289,583 A 7/1942 Malone
2,294,969 A 9/1942 Engvall
3,140,749 A * 7/1964 Dionisotti E21B 10/58
175/418
3,153,356 A 10/1964 Dearborn
3,293,727 A 12/1966 Simms
3,359,837 A 12/1967 Andreasson
(Continued)

(73) Assignee: **KENNAMETAL INC.**, Latrobe, PA (US)

AT AT9431 B 10/1902
CN 1204976 A 1/1999
(Continued)

(**) Term: **15 Years**

(21) Appl. No.: **29/541,767**

(22) Filed: **Oct. 7, 2015**

(51) **LOC (10) Cl.** **15-09**

(52) **U.S. Cl.**
USPC **D15/139; D8/70**

(58) **Field of Classification Search**
USPC D8/86, 70; D15/138, 139, 140;
76/108.6; 83/845; 403/331, 381; 407/9,
407/33, 34, 42, 54, 63, 110, 113, 114,
407/115; 408/119, 224, 226-230
CPC E23B 51/00; E21B 10/54; E21B 10/55;
E21B 10/567; E21B 10/5673; E21B
10/602
See application file for complete search history.

FOREIGN PATENT DOCUMENTS

OTHER PUBLICATIONS

Jul. 13, 2016—First Office Action.
(Continued)

Primary Examiner — Darlington Ly
(74) *Attorney, Agent, or Firm* — Ian K. Samways

(57) **CLAIM**

The ornamental design for a cutting head for rotary drill, as shown and described.

DESCRIPTION

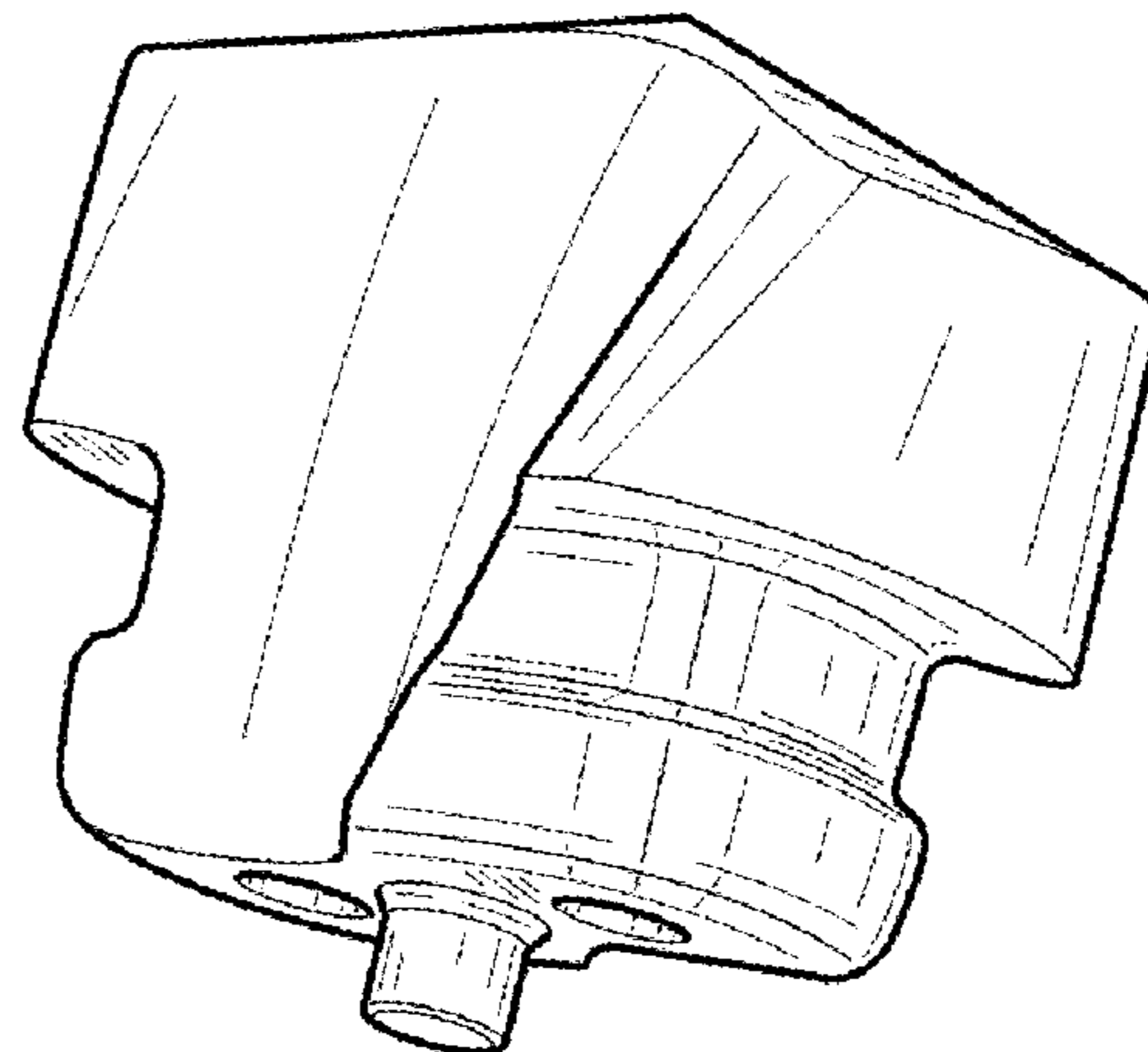
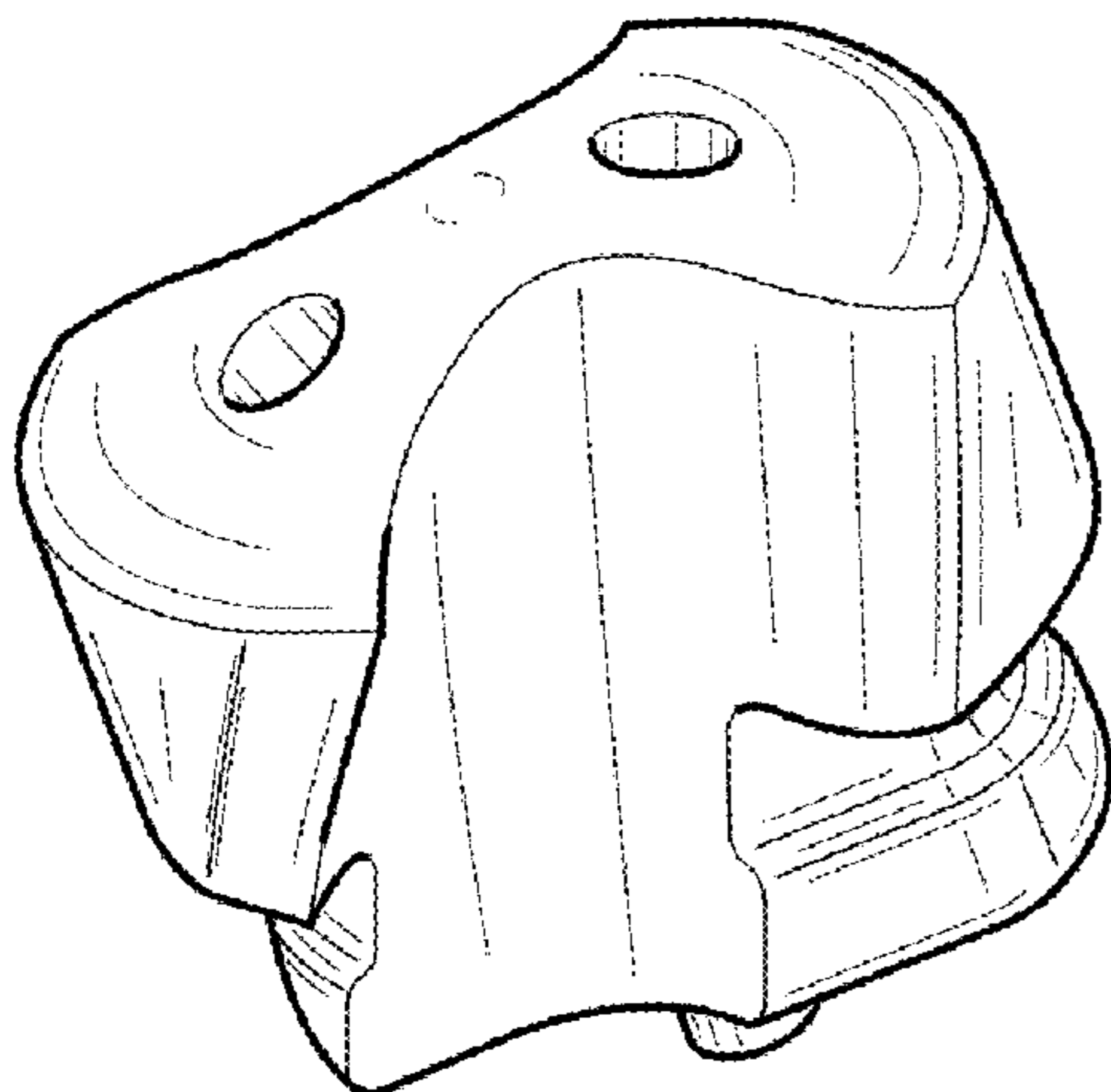
FIG. 1 is a top, front and left side isometric view of the cutting head for rotary drill showing my new design; FIG. 2 is top, front and right side isometric view thereof; FIG. 3 is a bottom and right side isometric view thereof; FIG. 4 is a right side elevation view thereof; FIG. 5 is a left side elevation view thereof; FIG. 6 is a front side elevation view thereof; FIG. 7 is a rear elevation view thereof; FIG. 8 is a top plan view thereof; and, FIG. 9 is a bottom plan view of thereof.

1 Claim, 2 Drawing Sheets

(56) **References Cited**

U.S. PATENT DOCUMENTS

22,394 A 12/1858 White
273,391 A 3/1883 Thrasher
329,660 A 11/1885 Lord
658,216 A 9/1900 Munger
690,093 A 12/1901 Beach
756,339 A 4/1904 Down



US D798,922 S

(56)

References Cited

U.S. PATENT DOCUMENTS

3,434,553	A *	3/1969	Weller	E21B 10/38				
						175/418			
3,548,688	A	12/1970	Kuch						
3,765,496	A *	10/1973	Flores	E21B 10/633				
						175/383			
4,293,253	A	10/1981	Ott						
D262,219	S *	12/1981	Lassiter	D15/139				
D263,598	S *	3/1982	Lassiter	D15/139				
D273,387	S *	4/1984	Lassiter	D15/139				
D273,388	S *	4/1984	Lassiter	D15/139				
D273,389	S *	4/1984	Lassiter	D15/139				
D273,390	S *	4/1984	Lassiter	D15/139				
D273,391	S *	4/1984	Lassiter	D15/139				
D273,682	S *	5/1984	Lassiter	D15/139				
D274,436	S *	6/1984	Lassiter	D15/139				
4,561,812	A	12/1985	Linden						
4,744,704	A	5/1988	Galvefors						
4,844,643	A	7/1989	Icks						
5,024,563	A	6/1991	Randall						
5,114,286	A	5/1992	Calkins						
5,154,549	A	10/1992	Isobe						
5,154,550	A	10/1992	Isobe						
5,228,812	A	7/1993	Noguchi						
5,346,335	A	9/1994	Harpaz						
5,429,199	A *	7/1995	Sheirer	E21B 10/5673				
						175/321			
5,452,971	A	9/1995	Nevills						
5,509,761	A	4/1996	Grossman						
5,634,747	A	6/1997	Tukala						
5,649,794	A	7/1997	Kress						
5,685,671	A	11/1997	Packer						
5,769,577	A	6/1998	Boddy						
5,791,838	A	8/1998	Hamilton						
5,863,162	A	1/1999	Karlsson						
5,904,455	A	5/1999	Krenzer						
5,957,631	A	9/1999	Hecht						
5,971,673	A	10/1999	Berglund						
5,980,166	A	11/1999	Ogura						
5,988,953	A	11/1999	Berglund						
5,996,714	A *	12/1999	Massa	E21B 10/42				
						175/413			
6,000,000	A	12/1999	Hawkins						
6,012,881	A	1/2000	Scheer						
6,045,301	A	4/2000	Kammermeier						
6,059,492	A	5/2000	Hecht						
6,071,045	A	6/2000	Janness						
6,109,841	A	8/2000	Johne						
6,123,488	A	9/2000	Kasperik						
6,276,879	B1	8/2001	Hecht						
6,447,218	B1	9/2002	Lagerberg						
6,481,938	B2	11/2002	Widin						
6,485,235	B1	11/2002	Mast						
6,506,003	B1	1/2003	Erickson						
6,514,019	B1	2/2003	Schulz						
6,530,728	B2	3/2003	Eriksson						
6,582,164	B1	6/2003	McCormick						
6,595,305	B1 *	7/2003	Dunn	B23B 51/00				
						175/336			
6,595,727	B2	7/2003	Arvidsson						
6,840,717	B2	1/2005	Eriksson						
7,008,150	B2	3/2006	Krenzer						
7,048,480	B2	5/2006	Borschert						
7,070,367	B2	7/2006	Krenzer						
7,114,892	B2	10/2006	Hansson						
7,125,207	B2	10/2006	Craig						
7,134,816	B2	11/2006	Brink						
7,189,437	B2	3/2007	Kidd						
7,237,985	B2	7/2007	Leuze						
7,309,196	B2	12/2007	Ruy Frota de Souza						
7,311,480	B2	12/2007	Heule						
7,360,974	B2	4/2008	Borschert						
7,407,350	B2	8/2008	Hecht						
7,431,543	B2	10/2008	Buettiker						
7,467,915	B2	12/2008	de Souza						
7,559,382	B2	7/2009	Koch						
7,591,617	B2	9/2009	Borschert						
D607,024	S *	12/2009	Dost	D15/139				
7,625,161	B1	12/2009	Ruy Frota de Souza						
7,677,842	B2	3/2010	Park						
7,740,472	B2	6/2010	Delamarche						
7,775,751	B2	8/2010	Hecht						
7,832,967	B2	11/2010	Borschert						
D632,320	S	2/2011	Chen						
D633,534	S	3/2011	Chen						
7,972,094	B2	7/2011	Men						
RE42,644	E	8/2011	Jonsson						
7,997,832	B2	8/2011	Prichard						
8,007,208	B2	8/2011	Noureddine						
8,021,088	B2	9/2011	Hecht						
8,142,116	B2	3/2012	Frejd						
D668,697	S *	10/2012	Hsu	D15/139				
D669,923	S *	10/2012	Watson	D15/139				
8,366,358	B2	2/2013	Borschert						
8,376,669	B2	2/2013	Jaeger						
RE44,915	E	5/2014	de Souza						
D708,034	S *	7/2014	Huang	D8/86				
8,784,018	B2	7/2014	PABel						
D711,719	S *	8/2014	DeBaker	D8/86				
8,807,888	B2	8/2014	Borschert						
9,050,659	B2	6/2015	Schwaegerl et al.						
D742,714	S *	11/2015	King, Jr.	D8/86				
D742,948	S *	11/2015	Kenno	D15/139				
9,371,701	B2 *	6/2016	Cox	E21B 10/602				
2002/0159851	A1	10/2002	Krenzer						
2002/0195279	A1 *	12/2002	Bise	E21B 10/58				
						175/419			
2003/0039523	A1	2/2003	Kemmer						
2003/0091402	A1	5/2003	Lindblom						
2004/0240949	A1	12/2004	Pachao-Morbitzer						
2005/0084352	A1	4/2005	Borschert						
2005/0135888	A1	6/2005	Stokey et al.						
2006/0072976	A1	4/2006	Frota de Souza						
2006/0093449	A1	5/2006	Hecht						
2008/0175676	A1	7/2008	Prichard						
2008/0175677	A1	7/2008	Prichard						
2008/0193231	A1	8/2008	Jonsson						
2008/0193237	A1	8/2008	Men						
2009/0044986	A1	2/2009	Jaeger						
2009/0071723	A1	3/2009	Mergenthaler						
2009/0116920	A1	5/2009	Bae						
2009/0123244	A1	5/2009	Buettiker						
2009/0311060	A1	12/2009	Frejd						
2010/0021253	A1	1/2010	Frejd						
2010/0092259	A1	4/2010	Borschert						
2010/0143059	A1	6/2010	Hecht						
2010/0247255	A1	9/2010	Nitzsche						
2010/0266357	A1	10/2010	Kretzschmann						
2010/0272529	A1	10/2010	Rozzi						
2010/0307837	A1	12/2010	King						
2010/0322723	A1	12/2010	Danielsson						
2010/0322728	A1	12/2010	Aare						
2010/0322729	A1	12/2010	Päbel						
2010/0322731	A1	12/2010	Aare						
2011/0020072	A1	1/2011	Chen						
2011/0020073	A1	1/2011	Chen						
2011/0020077	A1	1/2011	Fouquer						
2011/0020086	A1	1/2011	Borschert						
2011/0027021	A1	2/2011	Nelson						
2011/0081212	A1	4/2011	Spichtinger						
2011/0097168	A1	4/2011	Jager						
2011/0110735	A1	5/2011	Klettenheimer						
2011/0110739	A1	5/2011	Frisendahl						
2011/0168453	A1	7/2011	Kersten						
2011/0229277	A1	9/2011	Hoffer						
2011/0236145	A1	9/2011	Päbel						
2011/0299944	A1	12/2011	Höfermann						
2011/0318128	A1	12/2011	Schwägerl						
2012/0003056	A1	1/2012	Jaeger						
2012/0014760	A1								

(56)

References Cited

U.S. PATENT DOCUMENTS

2012/0121347 A1 5/2012 Osawa
 2012/0315101 A1 12/2012 Osawa
 2013/0183112 A1 7/2013 Schwagerl
 2013/0209189 A1 8/2013 Borschert
 2013/0266389 A1 10/2013 Hecht
 2014/0023449 A1 1/2014 Jonsson et al.
 2014/0301799 A1 10/2014 Schwaegerl
 2014/0348602 A1 11/2014 Schwaegerl

FOREIGN PATENT DOCUMENTS

CN 1258240 A 6/2000
 CN 243835 Y 7/2001
 CN 1616170 A 5/2005
 CN 1689740 A 11/2005
 CN 101048251 A 10/2007
 CN 101605622 A 12/2009
 CN 102307693 A 1/2012
 CN 104588739 A 5/2015
 CN 204565232 U 7/2015
 CN 104759664 A 8/2015
 CN 204545517 U 8/2015
 DE 94340 10/1897
 DE 384720 C 11/1923
 DE 524677 5/1931
 DE 118806 9/1984
 DE 3733298 C2 4/1992
 DE 19605157 9/1996
 DE 19543233 5/1997
 DE 29809638 U1 8/1998
 DE 19945097 3/2001
 DE 102004022747 A1 11/2005
 DE 112009002001 T5 2/2013
 DE 102012200690 A1 7/2013
 DE 102012212146 1/2014
 DE 10201305889 5/2014
 EP 0599393 B1 2/1996
 EP 1136161 9/2001
 EP 1476269 10/2009
 EP 1996358 11/2011
 EP 2524755 11/2012
 FR 907980 3/1946
 GB 17961 0/1915
 GB 1395855 5/1975
 JP 11019812 A 1/1999
 JP 2002501441 A 1/2002
 JP 2002113606 A 4/2002

JP 2003291044 A 10/2003
 JP 2004255533 A 9/2004
 JP 2005169542 6/2005
 JP 2006167871 A 6/2006
 JP 2008500195 A 1/2008
 JP 2011036977 A 2/2011
 WO WO8403241 8/1984
 WO WO9627469 9/1996
 WO WO03031104 A1 4/2003
 WO 2007107294 9/2007
 WO WO2008072840 A2 6/2008
 WO WO2009128775 A1 10/2009
 WO WO2010102793 A1 9/2010
 WO 2015/064904 A1 9/2014

OTHER PUBLICATIONS

Mar. 10, 2017 Office action (3 months) 1 P15-06097-US-NP.
 Mar. 21, 2017 Office action (3 months) 1 P15-06102-US-NP.
 Apr. 6, 2017—First Office Action-K-04390-DE-NP.
 Mar. 22, 2017—First Office Action-K-04277-DE-NP.
 Apr. 6, 2017—Second Office Action-K-04281-AL-NP.
 Apr. 1, 2017—First office Action-K-04262-CN-NP.
 May 9, 2017—Second Office Action-K-04065-JP-NP.
 Sep. 2, 2015 First office action K-04055-SE-NP.
 Jul. 7, 2015 Office action (3 months) 1 K-04089-US-NP.
 Jul. 7, 2017 Office action (3 months) 1 K-04091-1-US-NP.
 Jul. 16, 2015—International Search Report-K-04390-US-PCT.
 Oct. 22, 2015 Office action (3 months) 1 K-04261-US-NP.
 Nov. 3, 2015 Final Office Action K-04089-US-NP.
 Nov. 6, 2015 Final Office Action K-04091-US-NP.
 Oct. 12, 2015 First office action K-04261-IL-NP.
 Dec. 8, 2015 Office action (3 months) 1 K-04262-US-NP.
 Feb. 23, 2016 Office action (3 months) 2 K-04091-US-NP.
 May 13, 2014—Office Action-K4262EDE1.
 Mar. 7, 2016 Final Office Action K-04261-US-NP.
 Mar. 23, 2016—First Office Action-K-04055-CN-NP.
 Apr. 12, 2016—Second Office Action-KH-01855-DE-NP.
 Jun. 16, 2016 Office action (3 months) 1 K-04277-US-NP.
 Jul. 29, 2016 Office action (3 months) 2 K-04261-US-NP.
 Sep. 27, 2016—First office Action-K-04055-JP-NP.
 Oct. 20, 2016 Office action (3 months) 1 P15-06097-US-DP.
 Nov. 15, 2016—EPO Notification-K-04390-EP-EPT.
 Nov. 23, 2016 Final Office Action 2 K-04261-US-NP.
 Nov. 16, 2016—Second Office Action-K-04055-CN-NP.
 Dec. 30, 2016 Final Office Action K-04277-US-NP.

* cited by examiner

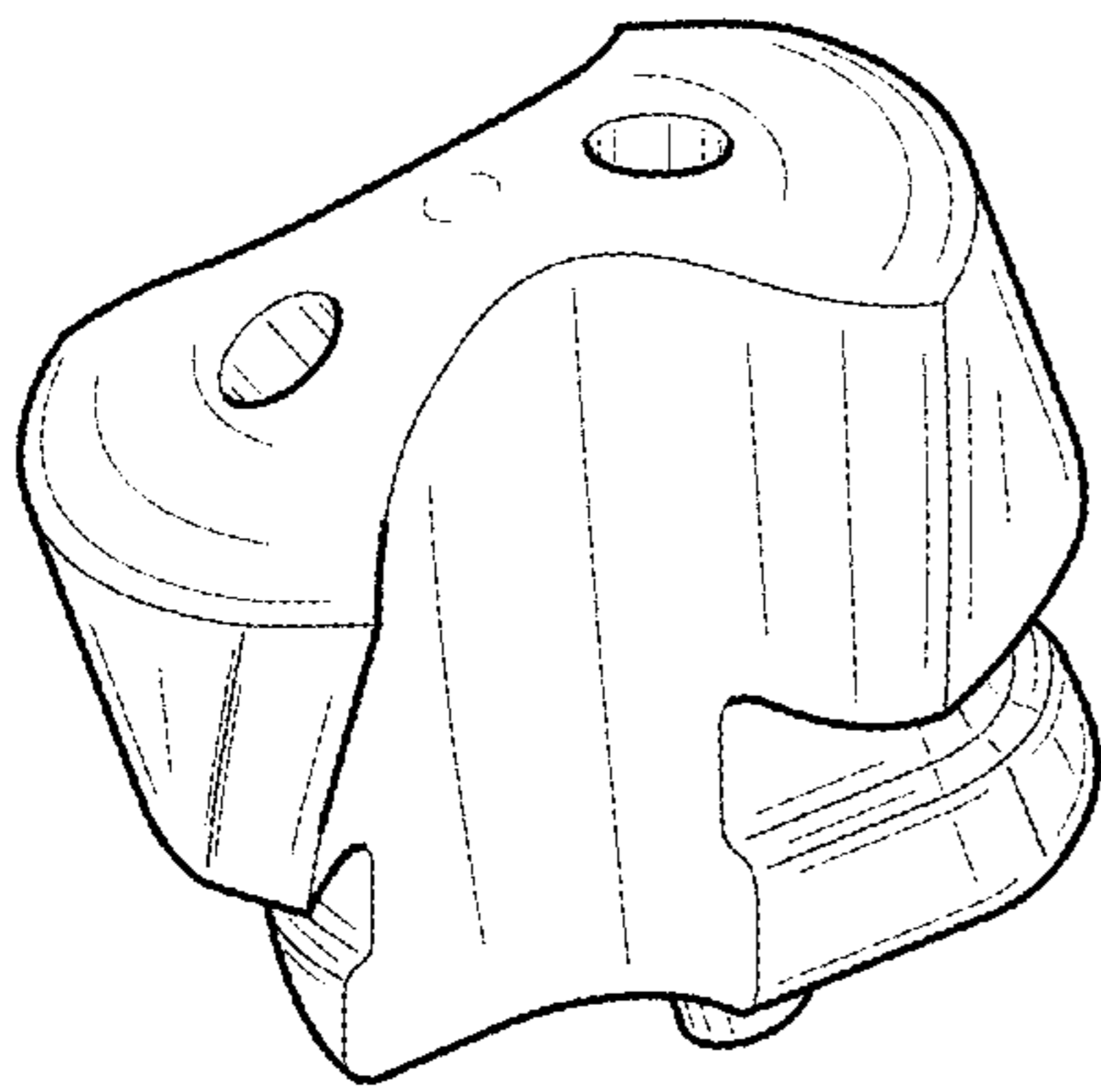


FIG. 1

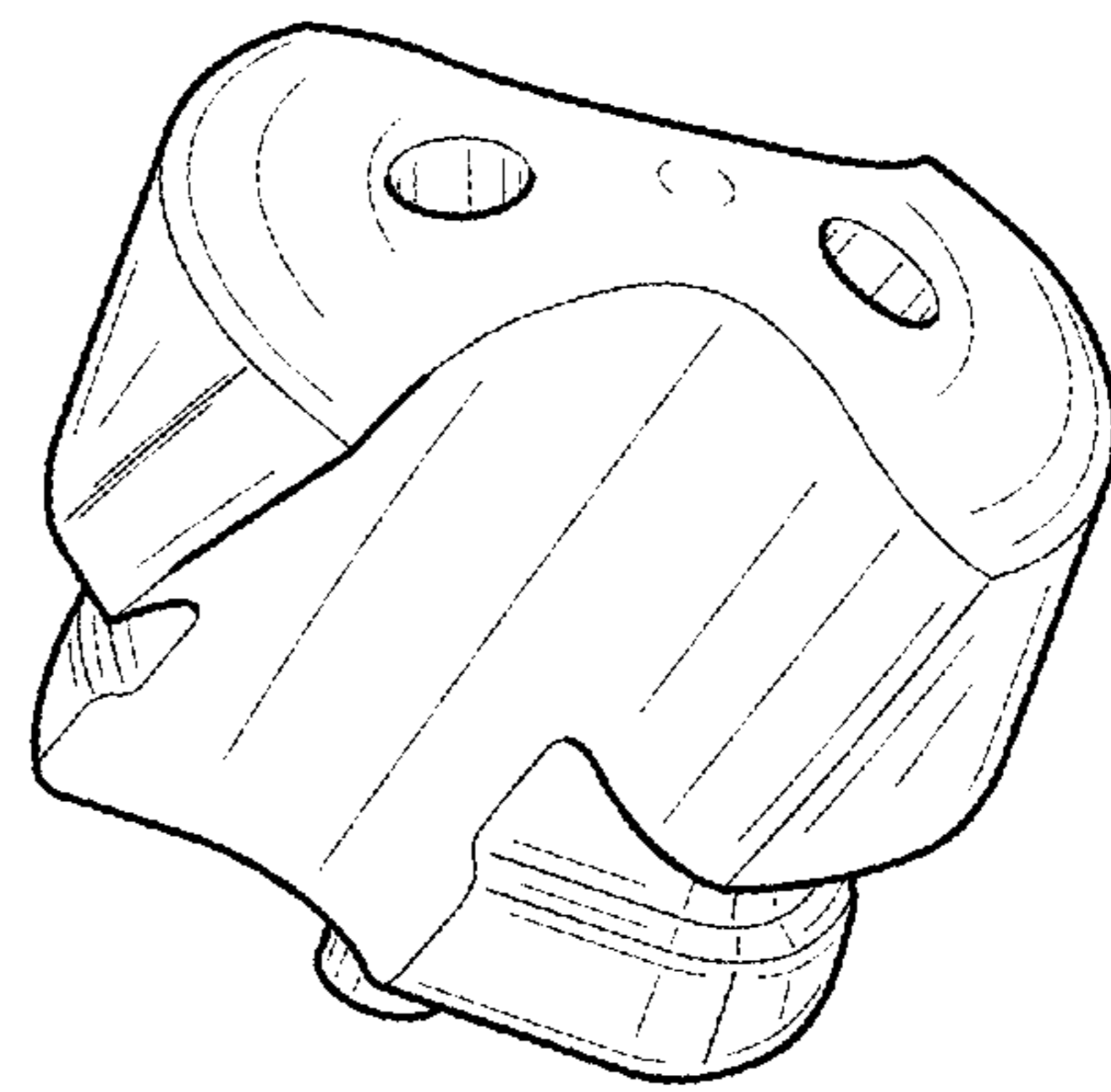


FIG. 2

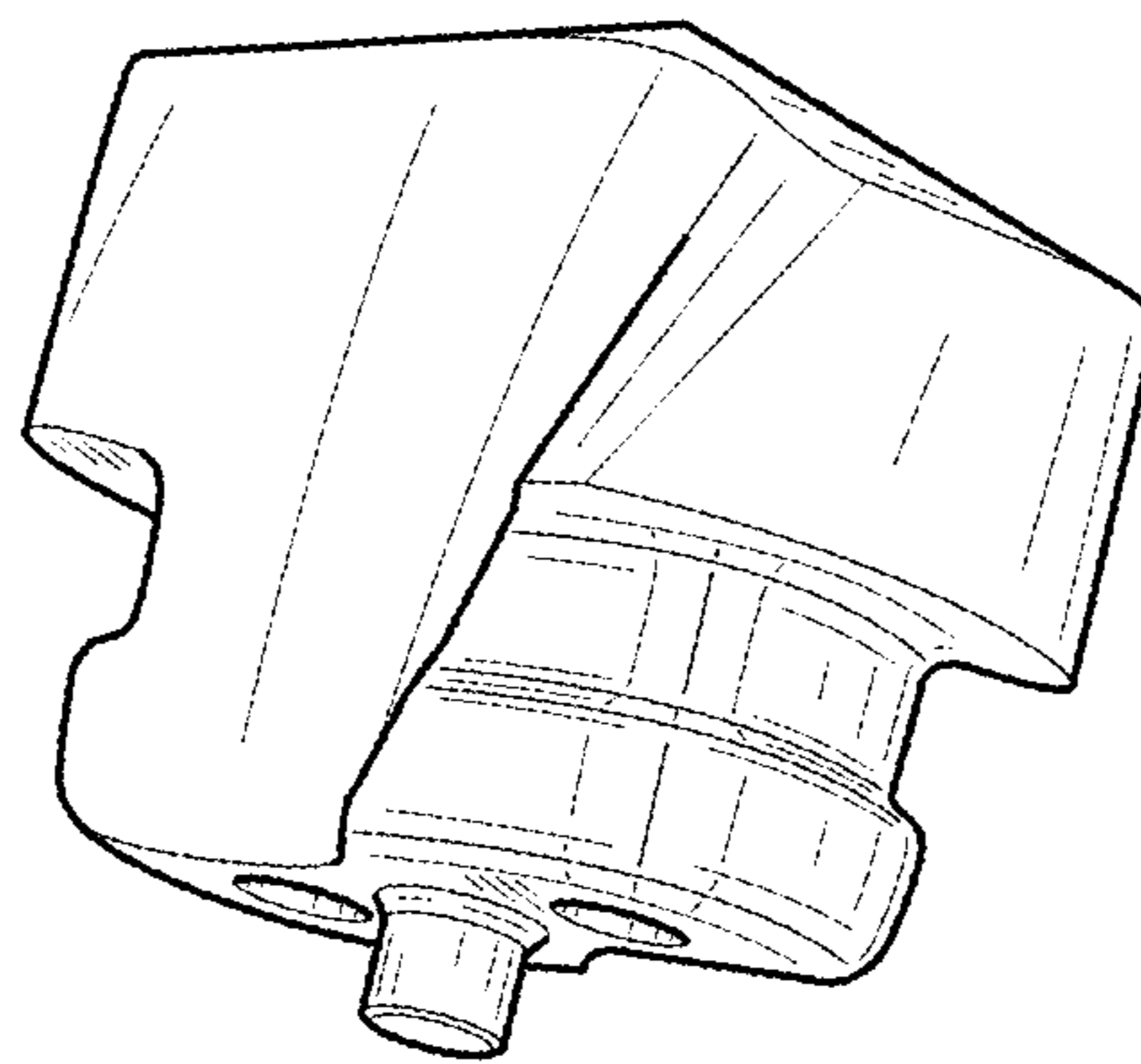


FIG. 3

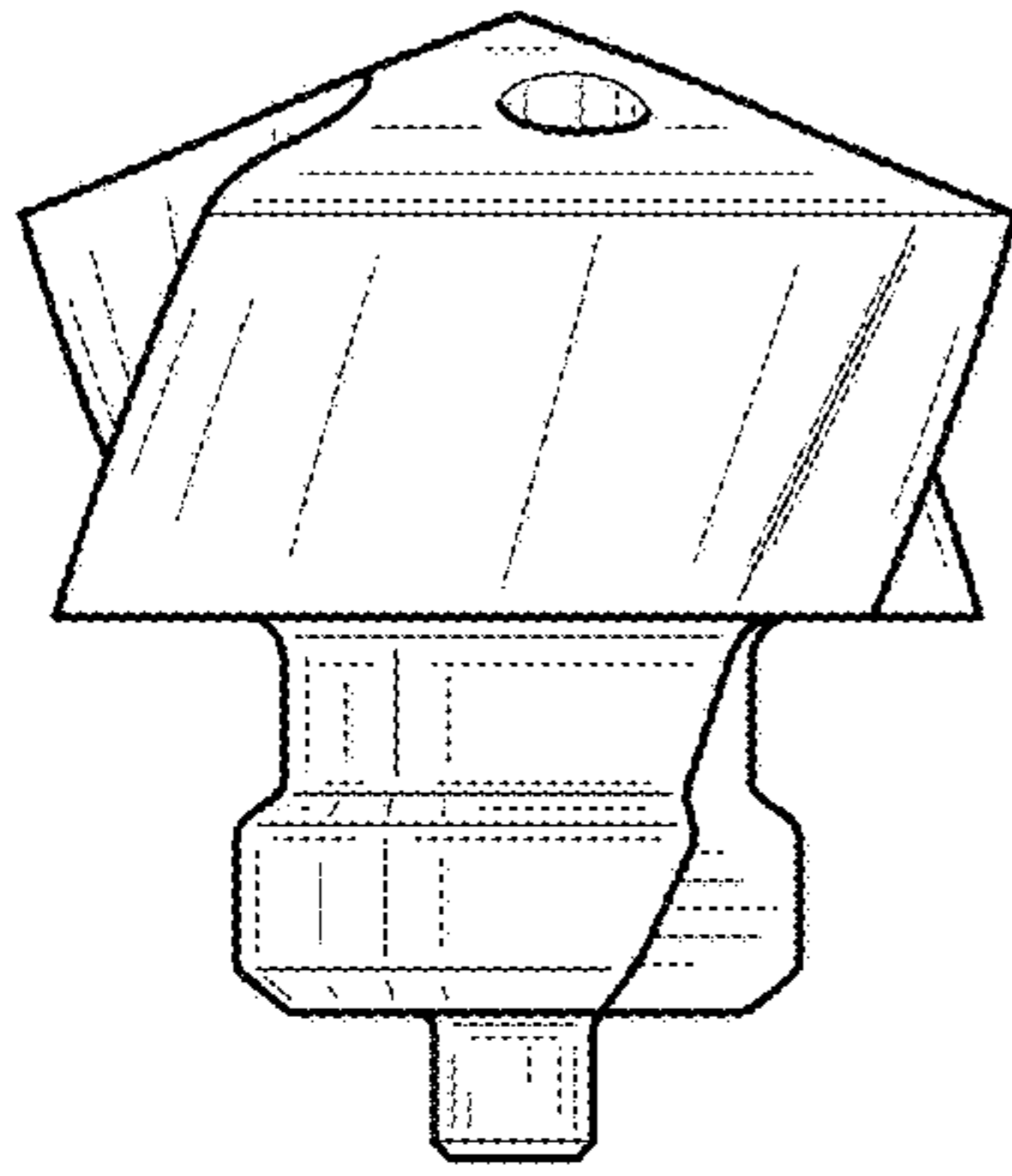


FIG. 4

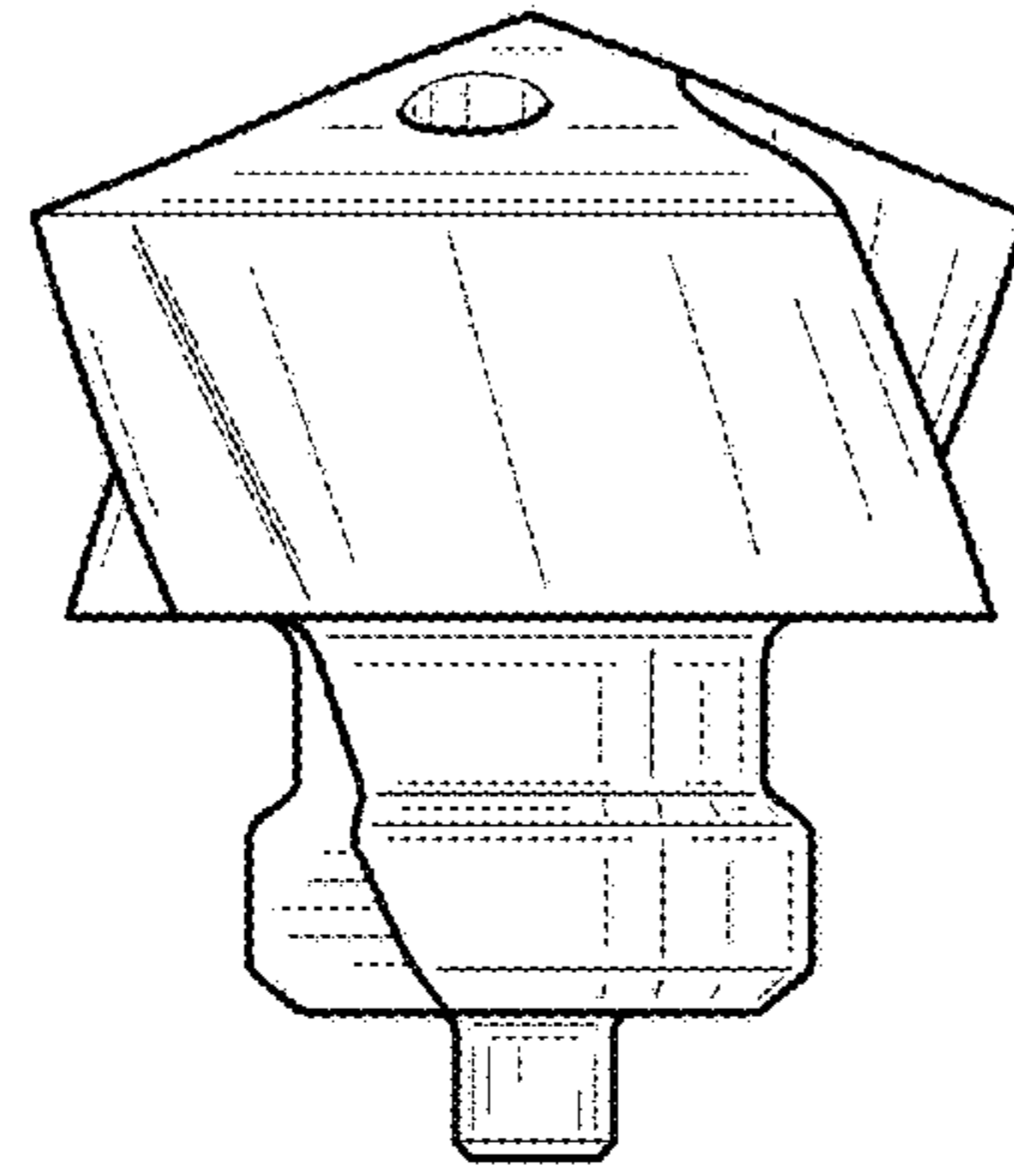


FIG. 5

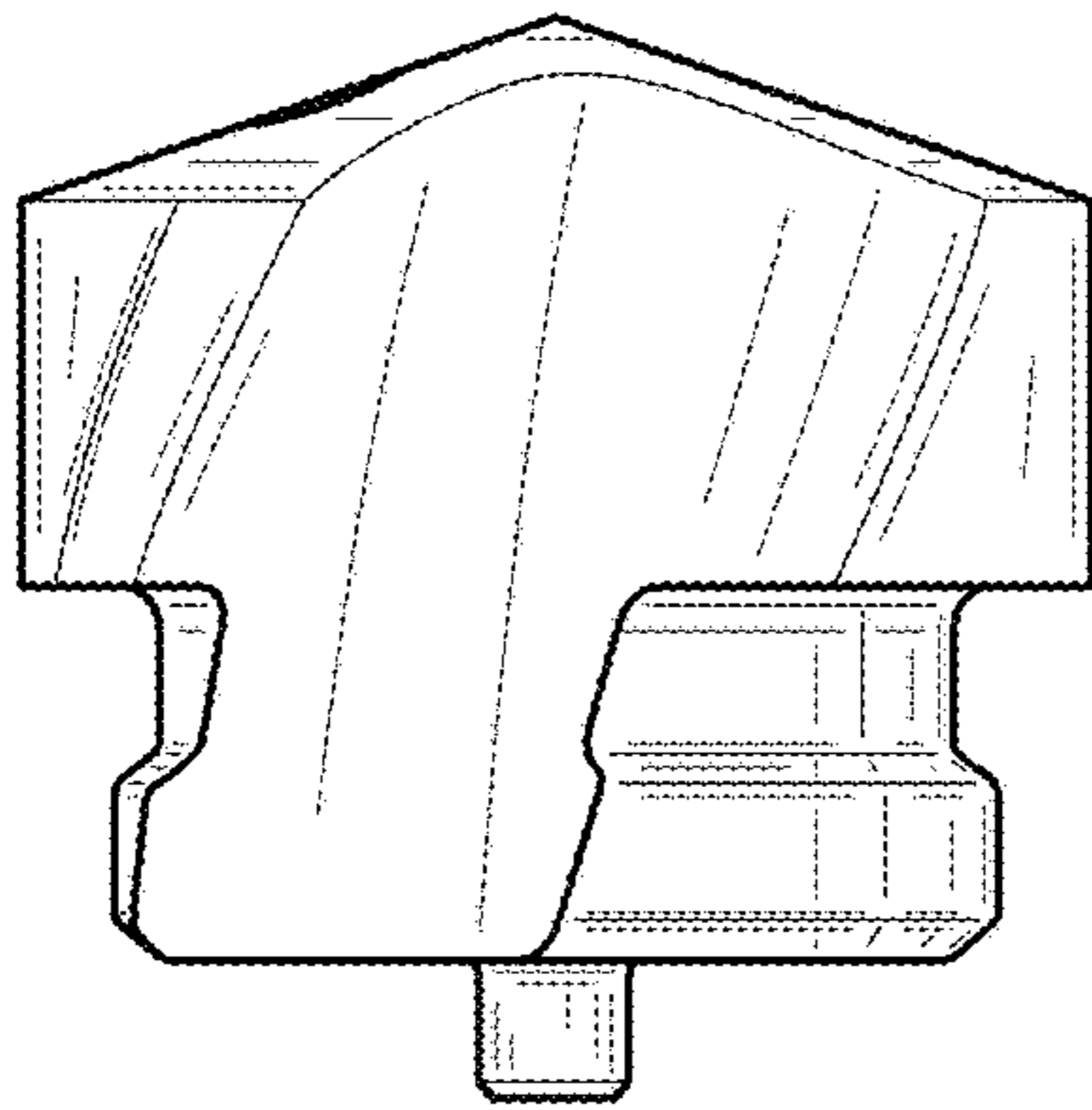


FIG. 6

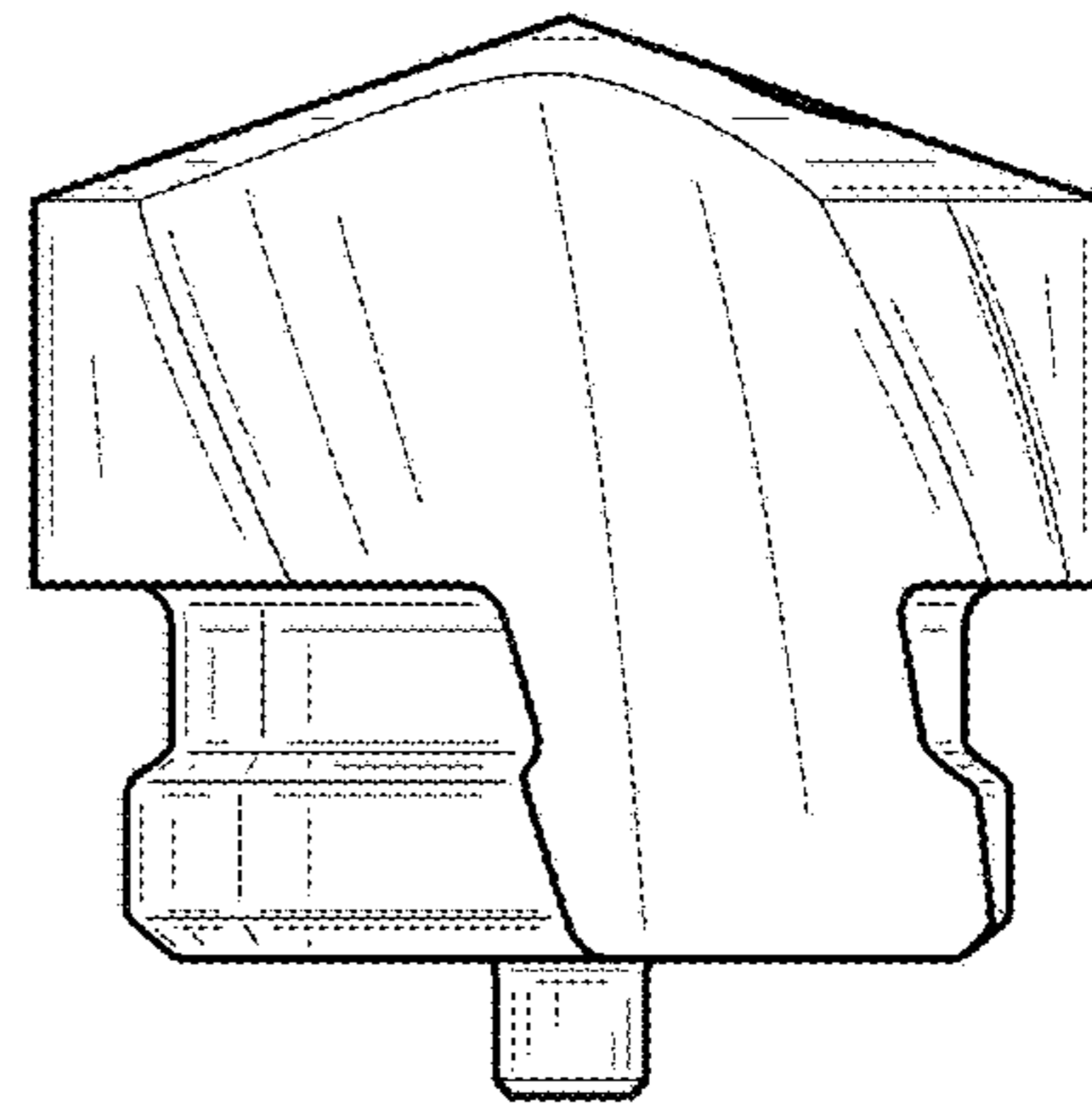


FIG. 7

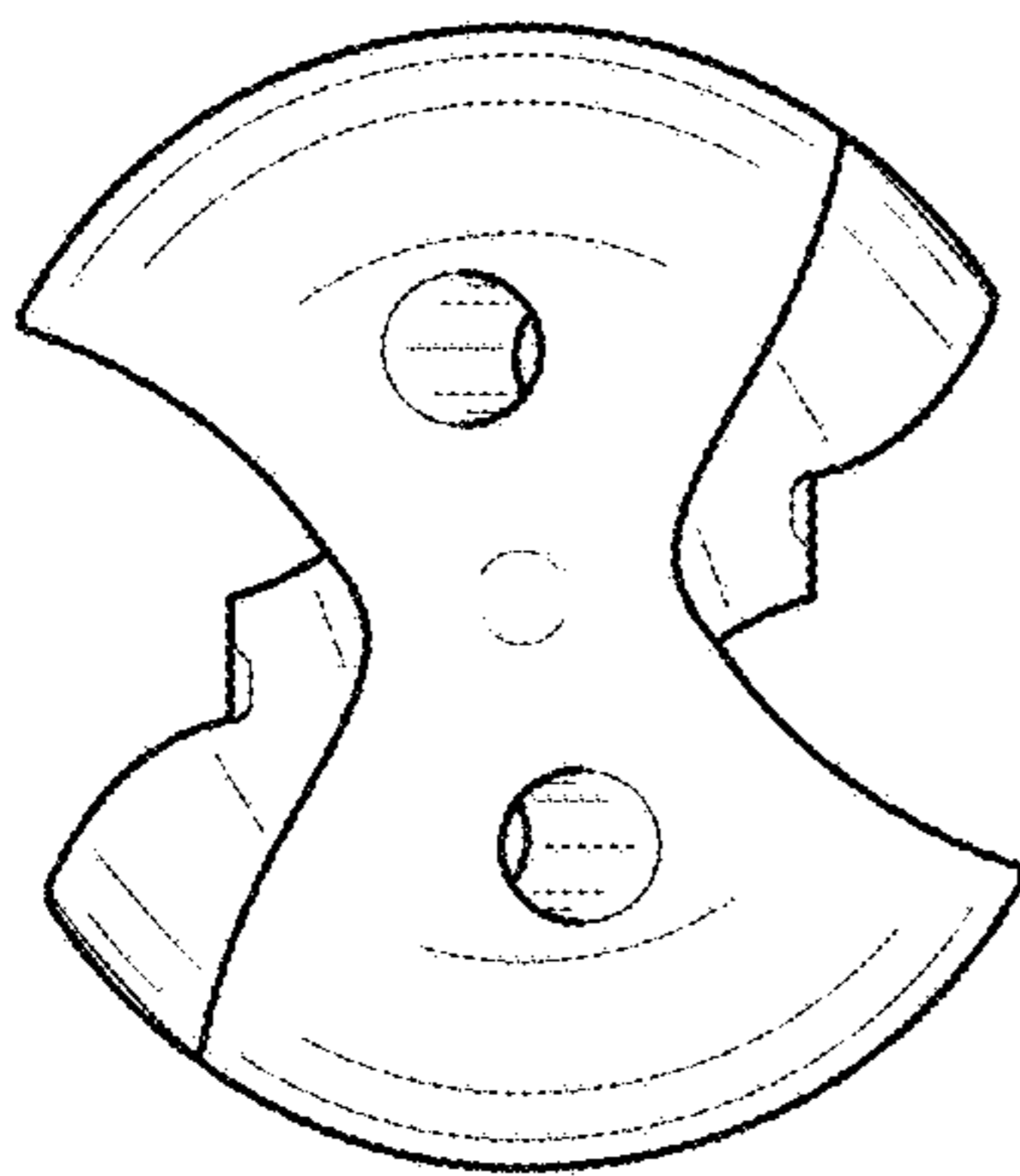


FIG. 8

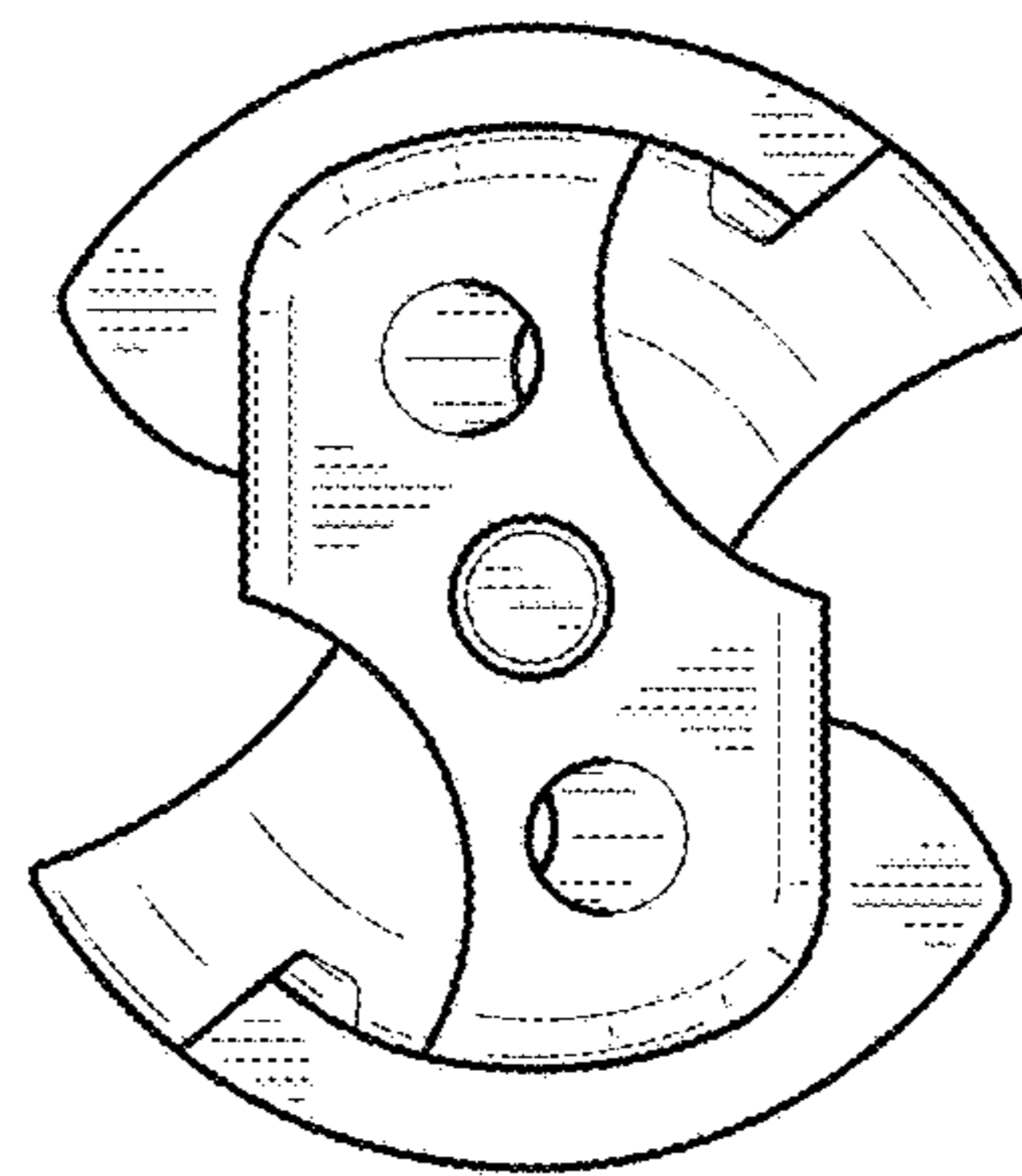


FIG. 9