



US00D798918S

(12) **United States Design Patent** (10) **Patent No.:** **US D798,918 S**
Campbell (45) **Date of Patent:** **** Oct. 3, 2017**

(54) **SHIELD FOR PUNCTURING DEVICE**

D185,589 S * 6/1959 Allen , Jr. D15/123
3,157,107 A 11/1964 Kosar
3,169,665 A 2/1965 Colley
3,303,968 A 2/1967 Compere
3,333,735 A 8/1967 Odasso
3,358,883 A 12/1967 Loe
3,430,819 A 3/1969 Moonan
3,438,548 A 4/1969 Ceyba
(Continued)

(71) Applicant: **Justrite Manufacturing Company, LLC**, Des Plaines, IL (US)

(72) Inventor: **Michael C. Campbell**, Virginia Beach, VA (US)

(73) Assignee: **JUSTRITE MANUFACTURING COMPANY, L.L.C.**, Des Plaines, IL (US)

(**) Term: **15 Years**

(21) Appl. No.: **29/546,867**

(22) Filed: **Nov. 25, 2015**

(51) **LOC (10) Cl.** **15-09**

(52) **U.S. Cl.**
USPC **D15/128**

(58) **Field of Classification Search**
USPC D15/128, 138; D19/65, 72
CPC B25B 15/005; B23C 3/35; B23C 2235/28;
B23C 2235/41; B21D 22/02; B21D 28/34; B21D 28/005; B21D 28/346;
B21D 37/04; B21D 37/205
See application file for complete search history.

(56) **References Cited**

U.S. PATENT DOCUMENTS

1,242,873 A 10/1917 Schroeder
1,555,759 A 9/1925 Rowe
1,586,298 A 5/1926 Eaton
1,599,685 A 9/1926 Spaeth
1,718,985 A 7/1929 Scoville
2,014,187 A 9/1935 Neff
2,553,942 A 5/1951 Roos
2,569,319 A 9/1951 Krug
2,671,528 A 3/1954 Gross
2,778,223 A 1/1957 Kimbrell
2,851,768 A 9/1958 Ellis

FOREIGN PATENT DOCUMENTS

CN 105312302 A 2/2016
DE 1607991 A1 10/1970
(Continued)

OTHER PUBLICATIONS

U.S. Appl. No. 15/149,136, Michael C. Campbell, filed May 8, 2016.
(Continued)

Primary Examiner — Patricia Palasik
(74) *Attorney, Agent, or Firm* — Leydig, Voit & Mayer, Ltd.

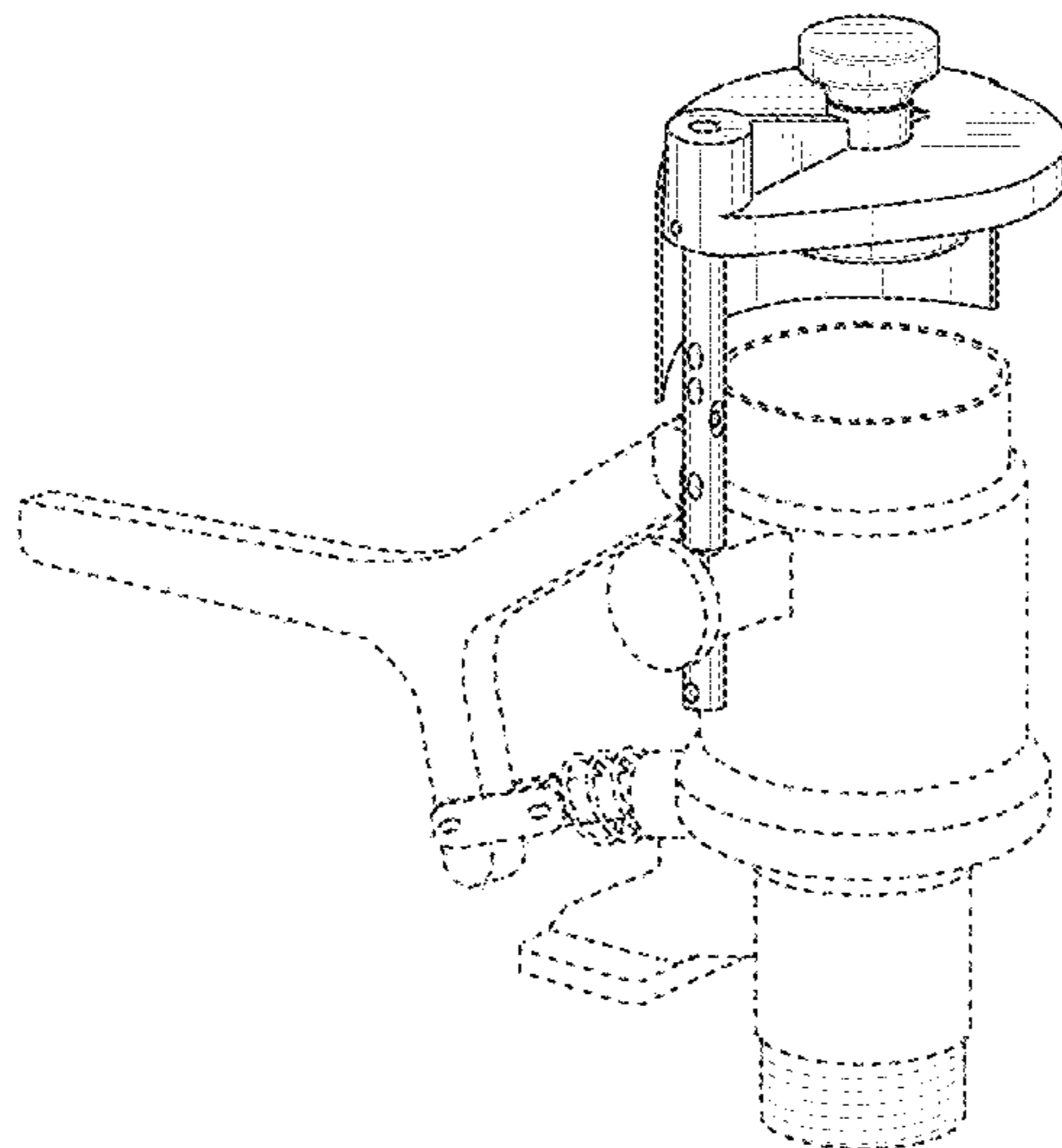
(57) **CLAIM**

The ornamental design for a shield for puncturing device, as shown and described.

DESCRIPTION

FIG. 1 is a perspective view of a shield for puncturing device according to the present invention;
FIG. 2 is a side view;
FIG. 3 is a side view, opposite of the side view in FIG. 2;
FIG. 4 is a side view;
FIG. 5 is a side view, opposite of the side view in FIG. 4;
FIG. 6 is a top view; and,
FIG. 7 is a bottom view.

1 Claim, 5 Drawing Sheets



(56)

References Cited

U.S. PATENT DOCUMENTS

3,828,976 A	8/1974	Sidelinker	5,596,892 A	1/1997	Edgar et al.
3,834,589 A	9/1974	Morane et al.	5,613,533 A	3/1997	Nickens
3,840,967 A	10/1974	Olson	5,613,534 A	3/1997	Nickens et al.
3,926,340 A	12/1975	Tygenhof	5,615,715 A	4/1997	Yore
4,071,012 A	1/1978	Cooke	5,657,800 A	8/1997	Campbell
4,223,799 A	9/1980	Eyster et al.	D383,659 S *	9/1997	Norman D8/70
4,252,547 A	2/1981	Johnson	5,664,610 A	9/1997	Nickens et al.
D266,188 S	9/1982	Seeley et al.	5,702,592 A	12/1997	Suri et al.
4,349,054 A	9/1982	Chipman et al.	5,715,803 A	2/1998	Mattern
4,407,341 A	10/1983	Feldt et al.	5,727,498 A	3/1998	Hackler et al.
4,420,012 A	12/1983	Astrom	5,740,615 A	4/1998	Treske
4,426,863 A	1/1984	Gillette et al.	5,743,246 A	4/1998	Mattern
4,459,906 A	7/1984	Cound et al.	5,775,362 A	7/1998	Sato et al.
4,500,015 A	2/1985	Penney	5,785,038 A	7/1998	Mattern
4,580,700 A	4/1986	Rush	5,819,815 A	10/1998	Nickens et al.
4,620,576 A	11/1986	Owen, Jr.	5,823,236 A	10/1998	Kirby et al.
4,655,060 A	4/1987	Jakubas	5,826,447 A	10/1998	Campbell
4,699,190 A	10/1987	Bates	5,826,631 A	10/1998	Gold et al.
4,700,866 A	10/1987	Taylor	5,832,966 A	11/1998	Nickens et al.
4,705,082 A	11/1987	Fanshaw et al.	5,868,174 A	2/1999	Mattern
4,742,688 A	5/1988	Rubin	5,900,216 A	5/1999	Nickens et al.
4,782,597 A	11/1988	Mills	5,901,759 A	5/1999	Nickens et al.
4,788,840 A	12/1988	Wilson, Jr.	5,918,649 A	7/1999	Johse
4,811,977 A	3/1989	Swift et al.	5,934,511 A	8/1999	Ausmus
4,834,267 A	5/1989	Schroer et al.	5,957,168 A	9/1999	Nickens et al.
4,934,055 A	6/1990	Chambers	5,967,012 A	10/1999	Dummer et al.
4,959,980 A	10/1990	Phillips	5,979,709 A	11/1999	Liccioni
4,968,333 A	11/1990	Ellis et al.	5,992,475 A	11/1999	Campbell
5,002,593 A	3/1991	Ichishita et al.	6,000,391 A	12/1999	Timmons
5,067,529 A	11/1991	Gonzalez-Miller et al.	6,013,121 A	1/2000	Chiu et al.
5,086,814 A	2/1992	Sato et al.	6,041,506 A	3/2000	Iwao
5,088,526 A	2/1992	Nash	6,053,362 A	4/2000	Lin
5,114,043 A	5/1992	Collins, Jr.	6,139,806 A	10/2000	Nickens et al.
5,125,700 A	6/1992	Fattori et al.	6,164,344 A	12/2000	Nickens et al.
5,141,656 A	8/1992	Rountree	6,219,925 B1 *	4/2001	Chen B26D 5/10 30/358
5,163,585 A	11/1992	Campbell	6,240,981 B1	6/2001	Nickens et al.
5,181,462 A	1/1993	Isaac	D446,816 S *	8/2001	Hsuan D19/65
5,188,155 A	2/1993	Kremer	6,308,748 B1	10/2001	Nickens et al.
5,199,286 A	4/1993	Jakubas	6,318,252 B1	11/2001	Kao
5,265,762 A	11/1993	Campbell et al.	6,331,141 B1	12/2001	Chua
5,271,437 A	12/1993	O'Brien et al.	6,393,900 B1	5/2002	Buckner, III et al.
5,284,997 A	2/1994	Spearman et al.	D458,308 S *	6/2002	Hsuan D19/65
5,285,827 A	2/1994	Gonzalez-Miller et al.	6,412,384 B1	7/2002	Iwao
5,303,749 A	4/1994	Stock et al.	6,422,273 B1	7/2002	Campbell
5,309,956 A	5/1994	Hajma	6,428,410 B1	8/2002	Campbell
5,322,093 A	6/1994	O'Neil	6,450,192 B1	9/2002	Romanek
5,332,009 A	7/1994	VanEtten	6,481,470 B1	11/2002	Rubenic
5,337,503 A	8/1994	Goby	6,644,515 B1	11/2003	Campbell
5,339,876 A	8/1994	Mattern	6,709,221 B2	3/2004	Roura Adell et al.
5,341,853 A	8/1994	Nugues et al.	6,743,281 B1	6/2004	Miller
5,351,859 A	10/1994	Jansen	6,810,731 B1	11/2004	Lo
5,365,982 A	11/1994	O'Neill	6,908,372 B2	6/2005	Larsson
5,370,268 A	12/1994	Adams	6,923,851 B1	8/2005	Butler et al.
5,383,498 A	1/1995	Mattern et al.	6,941,979 B1	9/2005	Potts et al.
5,385,177 A	1/1995	O'Neil	7,562,622 B2	7/2009	Babiel et al.
5,421,380 A	6/1995	Campbell	7,690,130 B1 *	4/2010	Risinger G01B 3/22 33/549
5,427,157 A	6/1995	Nickens et al.	D632,318 S *	2/2011	Sindlinger D15/128
5,427,609 A	6/1995	Zoglmann et al.	7,946,010 B1 *	5/2011	Myers B26F 1/0015 29/213.1
5,460,154 A	10/1995	Mattern et al.	D671,357 S *	11/2012	Trombly D7/392.1
5,465,473 A *	11/1995	Teeslink B21D 28/12 29/282	D675,237 S *	1/2013	Broadbent D15/136
5,469,898 A	11/1995	Campbell	D685,035 S *	6/2013	Kanbar
5,471,730 A *	12/1995	Sackett B21D 28/12 29/402.11	D690,332 S *	9/2013	Morehead B21D 28/34 D15/128
5,474,114 A	12/1995	Nickens et al.	8,997,617 B2 *	4/2015	Thomson B21D 28/246 234/94
5,499,665 A	3/1996	Gold et al.	D737,904 S	9/2015	Kuehne
5,499,945 A	3/1996	Ferlin et al.	9,314,661 B1	4/2016	Chen
5,524,945 A	6/1996	Georgopoulos et al.	D761,673 S	7/2016	Allen et al.
5,529,097 A	6/1996	Campbell	2002/0170861 A1	11/2002	Monsrud et al.
5,533,767 A	7/1996	Georgopoulos et al.	2003/0027699 A1 *	2/2003	Brodie B21D 37/04 483/28
5,535,730 A	7/1996	Mattern	2003/0189002 A1	10/2003	Proulx et al.
5,546,995 A	8/1996	Van Etten	2004/0038096 A1	2/2004	Chou et al.
5,564,414 A	10/1996	Walker et al.	2004/0045424 A1 *	3/2004	Ikeda B21D 28/12 83/684
5,568,951 A	10/1996	Morgan	2006/0191422 A1	8/2006	Dorion
5,584,325 A	12/1996	Nickens et al.			

(56)

References Cited

U.S. PATENT DOCUMENTS

2007/0005072 A1* 1/2007 Castillo A61B 17/1671
606/79
2007/0068352 A1* 3/2007 Morgan B21D 28/34
83/140
2007/0180723 A1* 8/2007 Morgan B21D 28/125
33/645
2008/0173086 A1 7/2008 McQuaid
2008/0295562 A1* 12/2008 Straka B21D 22/02
72/333
2008/0314220 A1* 12/2008 Ferry B44B 5/0057
83/684
2009/0050121 A1 2/2009 Holzmann et al.
2009/0223032 A1* 9/2009 Huang B21D 28/005
29/525.01
2010/0095815 A1* 4/2010 Laib B21D 28/14
83/23
2011/0016733 A1 1/2011 Peretti
2011/0265655 A1 11/2011 Schuster et al.
2012/0024771 A1 2/2012 Abdalla et al.
2012/0094810 A1 4/2012 Anderson
2012/0121751 A1* 5/2012 Atagi B30B 11/08
425/469
2012/0210689 A1 8/2012 Rogers et al.
2013/0042944 A1 2/2013 Campbell
2013/0109545 A1 5/2013 Chen
2013/0209338 A1 8/2013 Prasad et al.
2014/0018213 A1 1/2014 Chen
2014/0109742 A1* 4/2014 Elsmore B21D 28/346
83/138
2014/0121075 A1 5/2014 Brown
2014/0162850 A1 6/2014 Chen
2014/0202375 A1 7/2014 Goff
2015/0273384 A1 10/2015 Campbell
2015/0298955 A1* 10/2015 Campbell B09B 3/0058
141/330
2016/0325222 A1 11/2016 Campbell
2016/0338712 A1* 11/2016 Chernosky A61B 34/30

FOREIGN PATENT DOCUMENTS

DE 4204836 C2 8/1993
DE 19932519 A1 5/2001

EP 417022 A1 3/1991
EP 550815 A1 7/1993
FR 616328 A 1/1927
SU 821399 A1 4/1981
WO WO 92/18418 A1 10/1992
WO WO 96/22916 A1 8/1996
WO WO 97/48475 12/1997
WO WO 00/05137 2/2000
WO WO 2009/156757 A1 12/2009
WO WO 2015/045366 11/2015
WO WO 2015/053416 12/2015
WO WO 2016/031396 8/2016

OTHER PUBLICATIONS

U.S. Appl. No. 29/547,478, Michael C. Campbell, filed Dec. 3, 2015.
U.S. Appl. No. 61/940,810, Michael C. Campbell, filed Feb. 17, 2014.
U.S. Appl. No. 61/973,374, Michael C. Campbell, filed Apr. 1, 2014.
U.S. Appl. No. 62/063,885, Michael C. Campbell, filed Oct. 14, 2014.
U.S. Appl. No. 62/158,928, Michael C. Campbell, filed May 8, 2015.
Aerosol Can Disposal—retrieved from <https://americangasproducts.com/aerosol-can-disposal>, 4 pgs. (Copyright 2015).
TalkTools “Adult Straw with Blue Lip Block,” <http://www.talktools.com/adult-straw-with-blue-lip-block/> 1 page (Oct. 7, 2016).
U.S. Patent and Trademark Office, International Search Report in International Application No. PCT/US1999/016418 (dated Nov. 4, 1999).
U.S. Patent and Trademark Office, International Search Report in International Application No. PCT/US2015/045366 (dated Nov. 24, 2015).
U.S. Patent and Trademark Office, International Search Report in International Application No. PCT/US2015/053416 (dated Dec. 30, 2015).
U.S. Patent and Trademark Office, International Search Report in International Application No. PCT/US2016/031396 (dated Aug. 11, 2016).

* cited by examiner

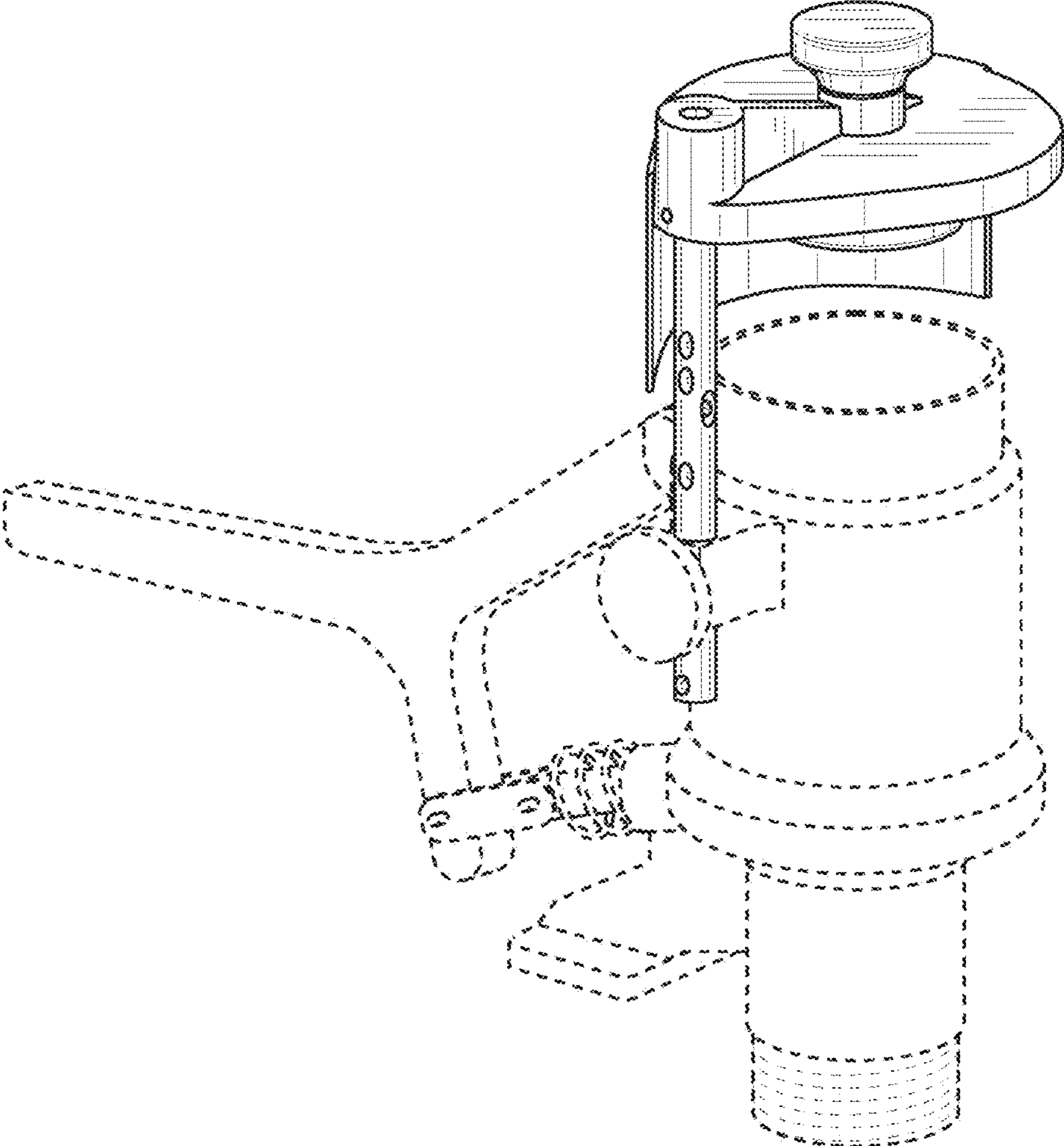


FIG. 1

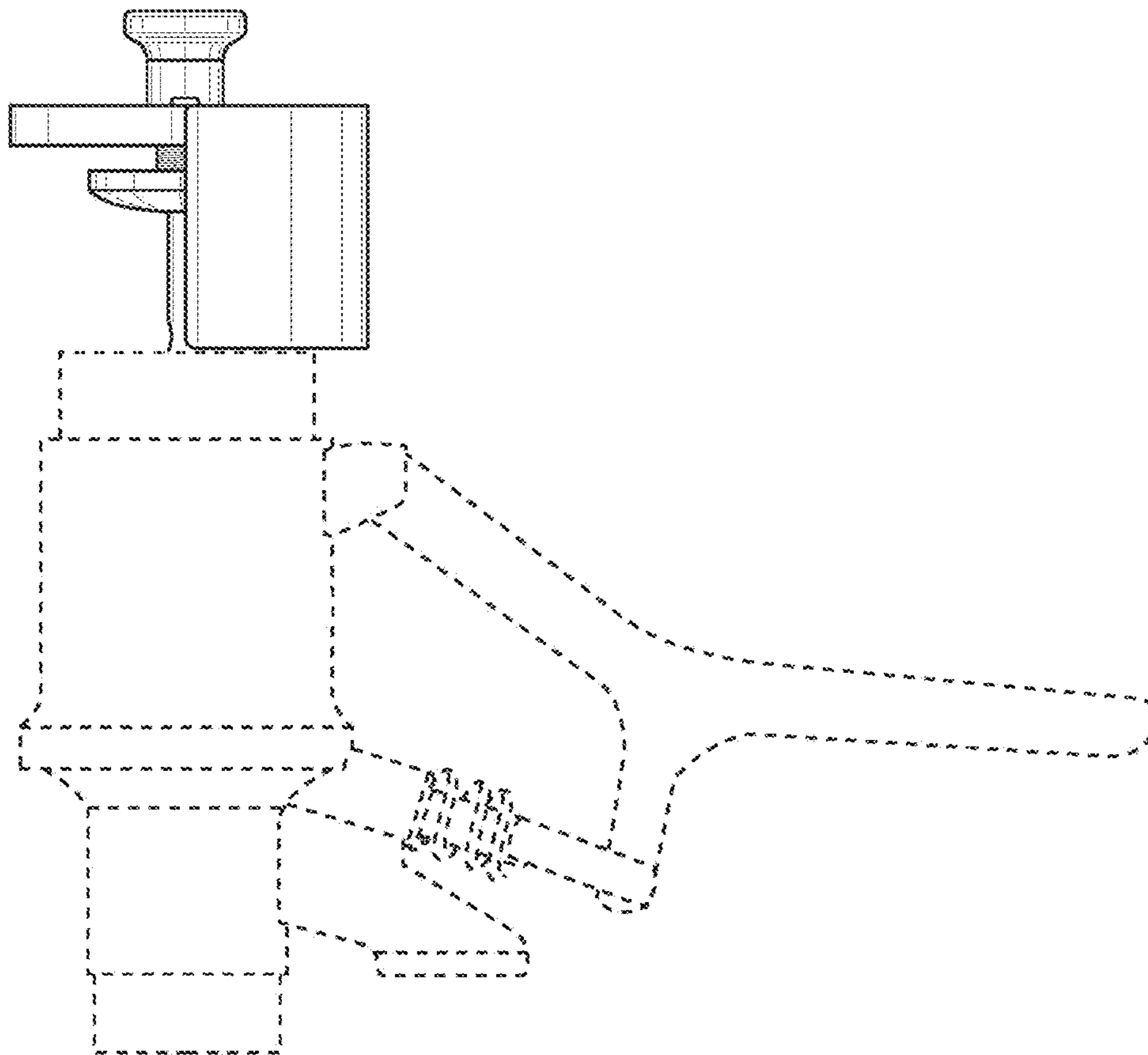


FIG. 2

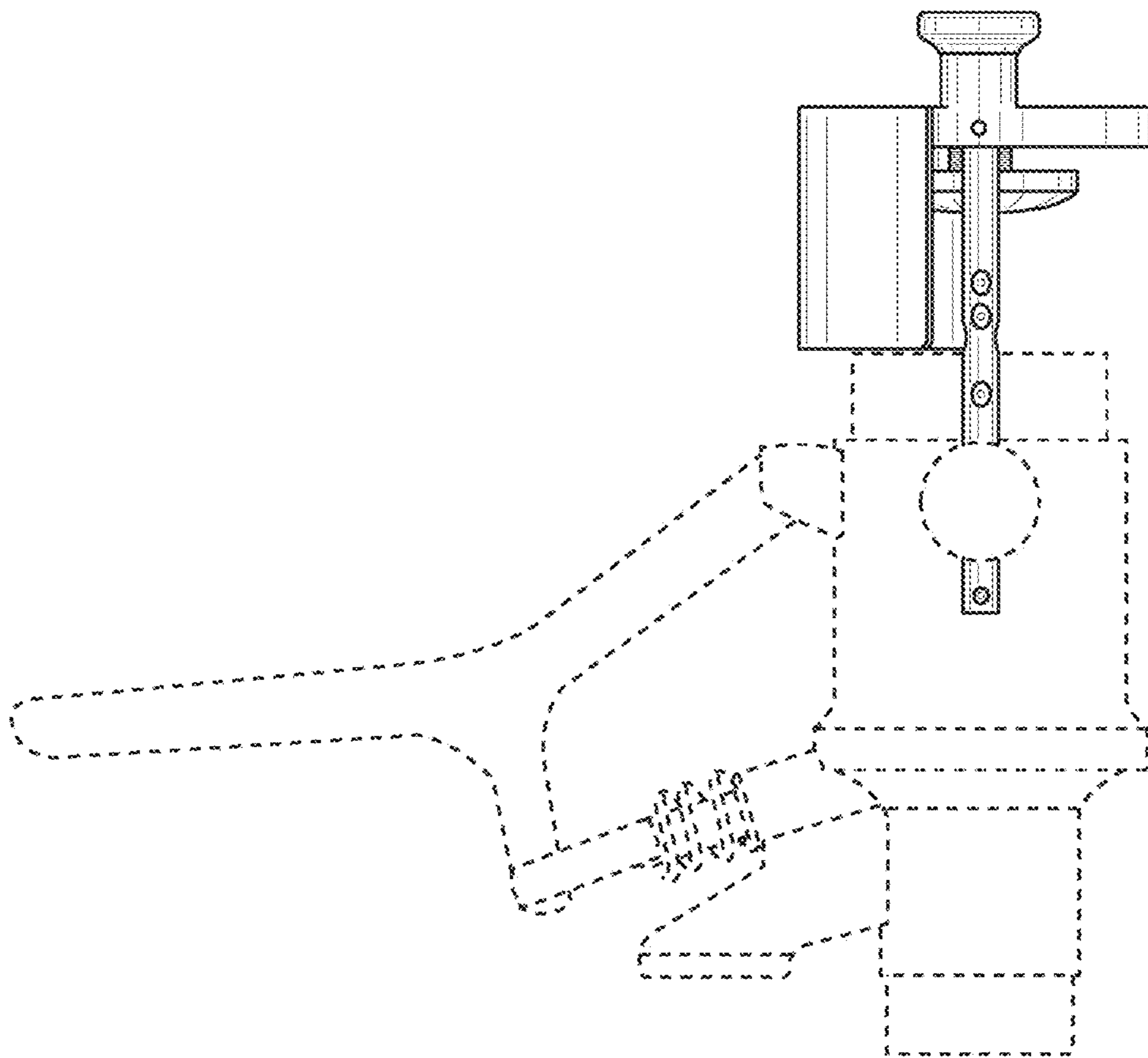


FIG. 3

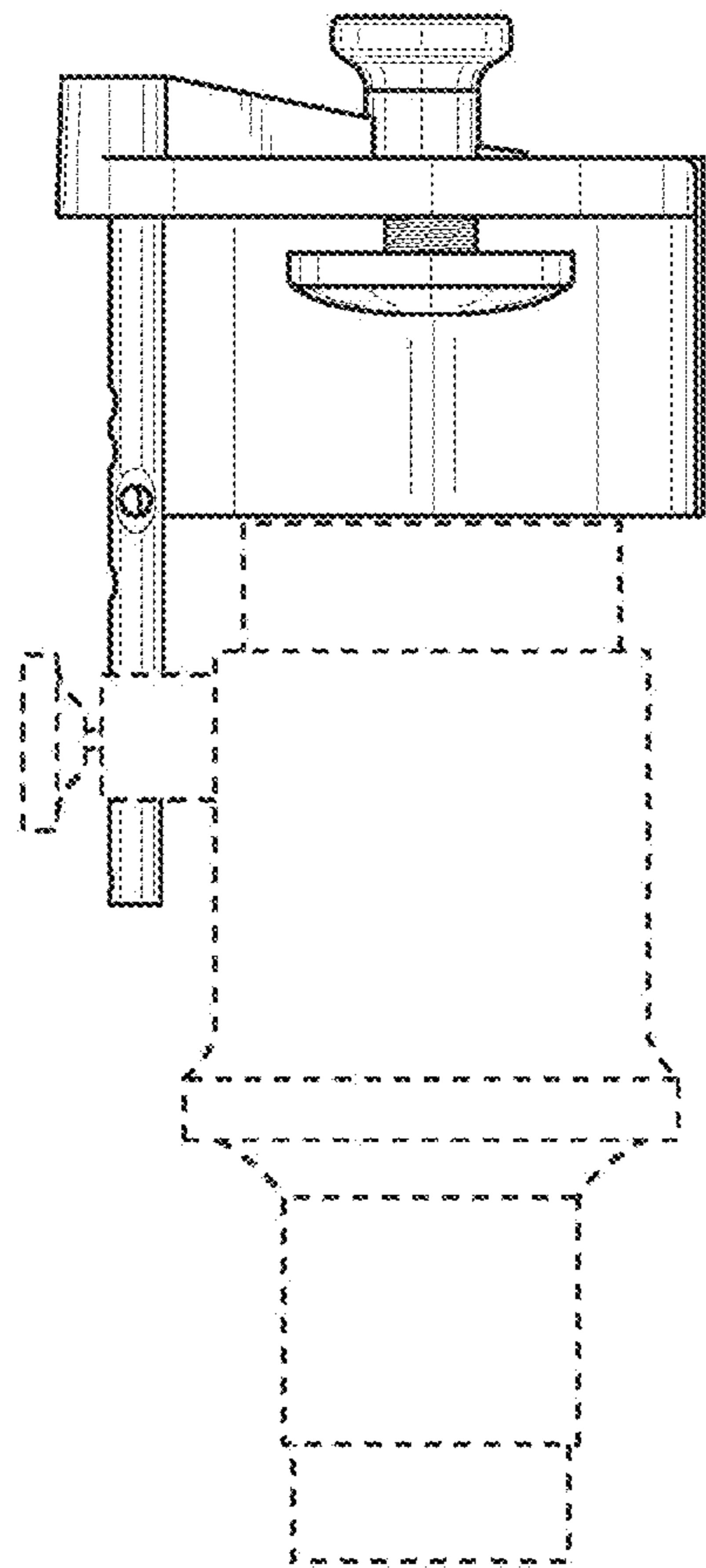


FIG. 4

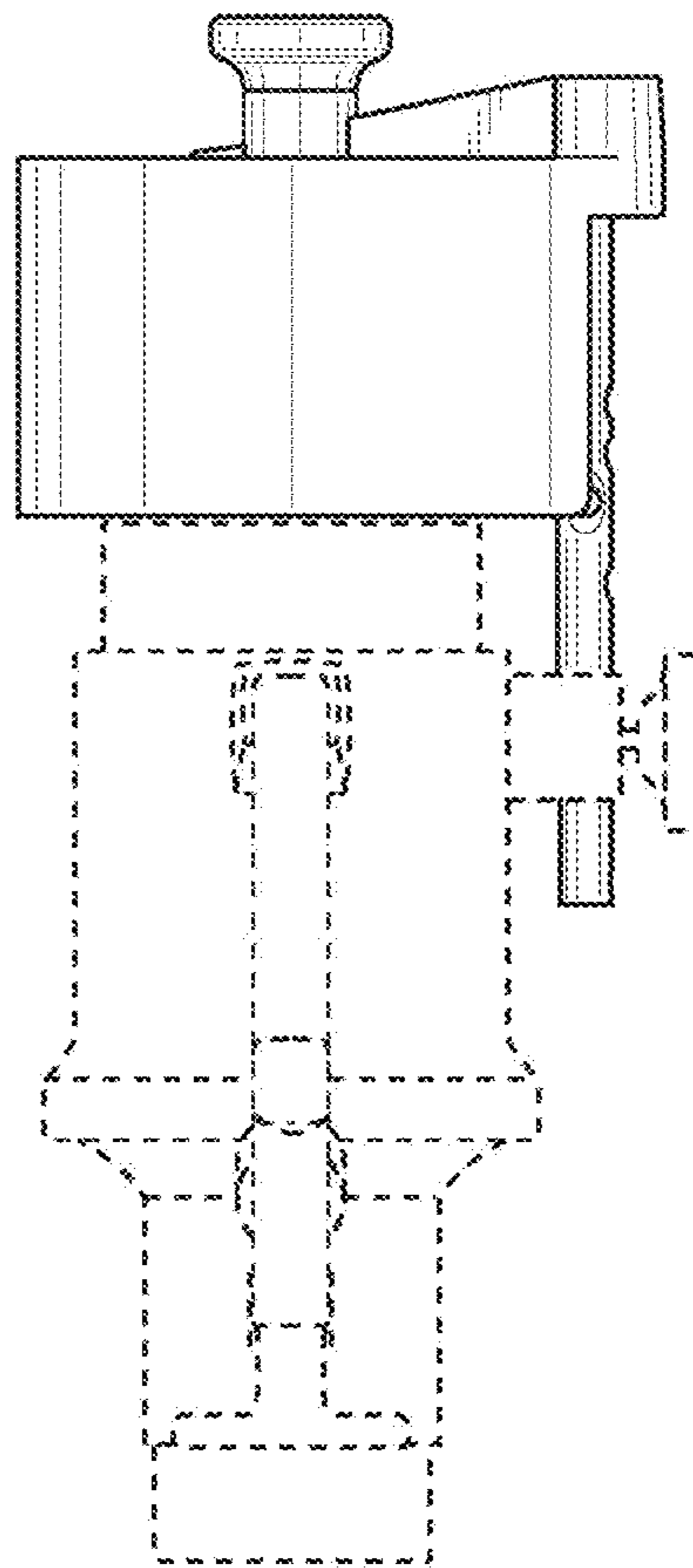


FIG. 5

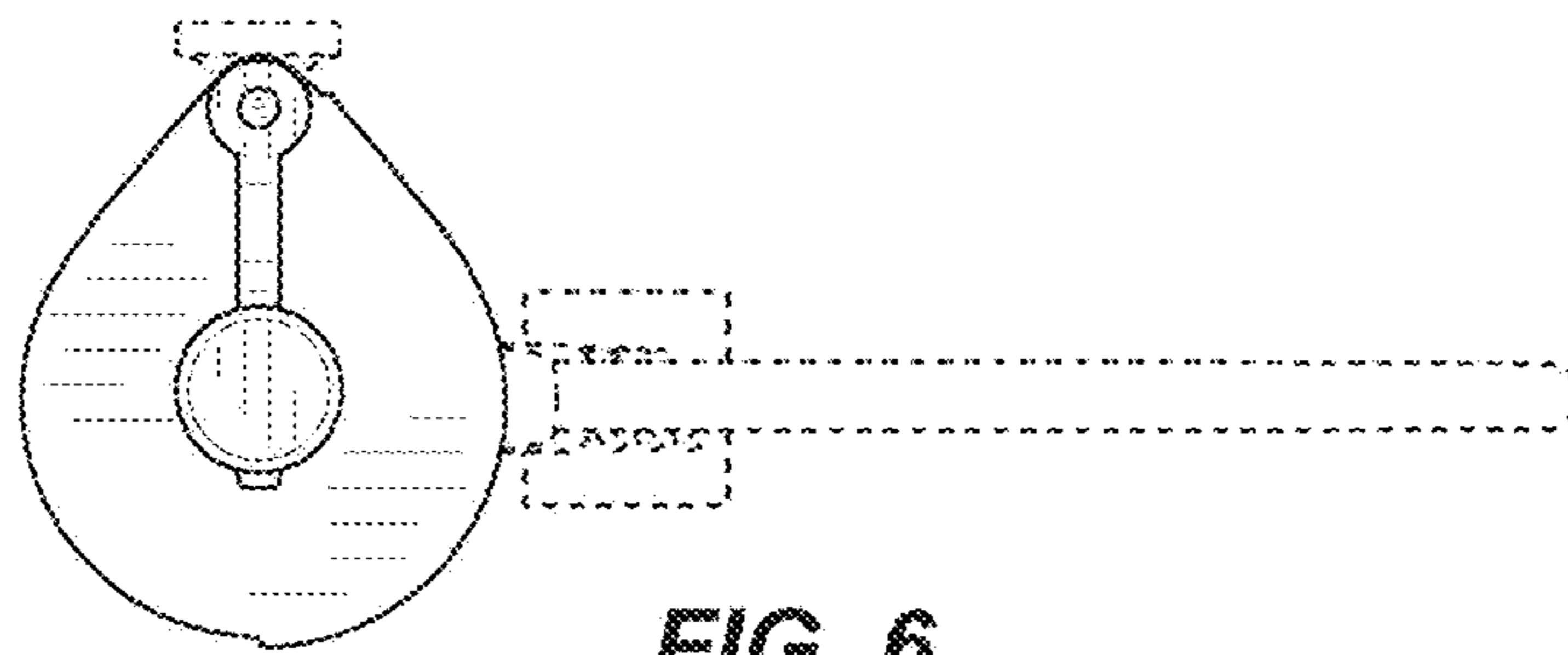


FIG. 6

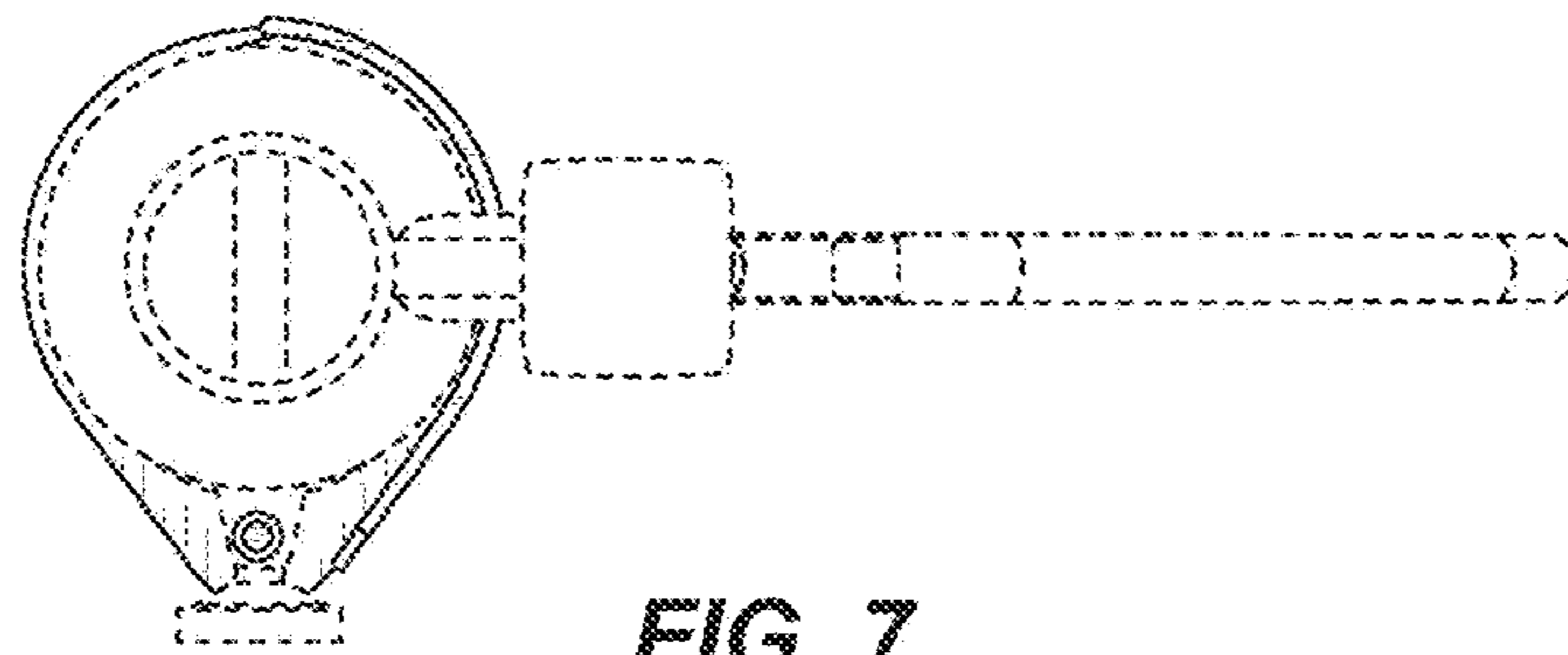


FIG. 7