



US00D798916S

(12) **United States Design Patent**  
**Hergert**

(10) **Patent No.:** **US D798,916 S**

(45) **Date of Patent:** **\*\* Oct. 3, 2017**

(54) **ICE CHILLER**

(71) Applicant: **Brands International Group Limited,**  
Hong Kong (HK)

(72) Inventor: **Steve Hergert,** Hong Kong (HK)

(73) Assignee: **Brands International Group Limited,**  
Hong Kong (HK)

(\*\*) Term: **15 Years**

(21) Appl. No.: **29/570,434**

(22) Filed: **Jul. 8, 2016**

(30) **Foreign Application Priority Data**

Mar. 1, 2016 (HK) ..... 1600342

(51) **LOC (10) Cl.** ..... **15-07**

(52) **U.S. Cl.**  
USPC ..... **D15/89**

(58) **Field of Classification Search**  
USPC ..... D15/79-91  
CPC ..... F25D 25/02; F25D 23/00; F25D 25/024;  
F25D 2325/022; F25D 23/067; F25D  
27/00; F25D 2325/021; F25D 25/04;  
F25D 23/04; F25D 2400/22; F25D  
25/025; F25D 11/00; F25D 11/02; F25D  
23/025; F25D 23/12; F25D 2400/40;  
F25D 25/027; F25D 27/005; F25D  
17/042; F25D 2500/06; F25D 2201/00;  
F25D 2317/0411; F25D 2323/122; F25D  
2327/00; F25D 2331/803; F25D 2331/81;  
F25D 23/028; F25D 23/062; F25D  
23/126

See application file for complete search history.

(56) **References Cited**

U.S. PATENT DOCUMENTS

D710,404 S *	8/2014	Park	.....	D15/89
D714,840 S *	10/2014	Yang	.....	D15/89
D733,770 S *	7/2015	Park	.....	D15/89
D736,273 S *	8/2015	Bu	.....	D15/89
D766,345 S *	9/2016	Lee	.....	D15/89
D788,191 S *	5/2017	Kim	.....	D15/89

\* cited by examiner

*Primary Examiner* — Mitchell Siegel

*Assistant Examiner* — Khawaja Anwar

(57) **CLAIM**

The ornamental design for an ice chiller, as shown and described.

**DESCRIPTION**

FIG. 1 is a front perspective view of an ice chiller showing my new design;

FIG. 2 is a front elevational view thereof;

FIG. 3 is a top plan view thereof;

FIG. 4 is a left side view thereof;

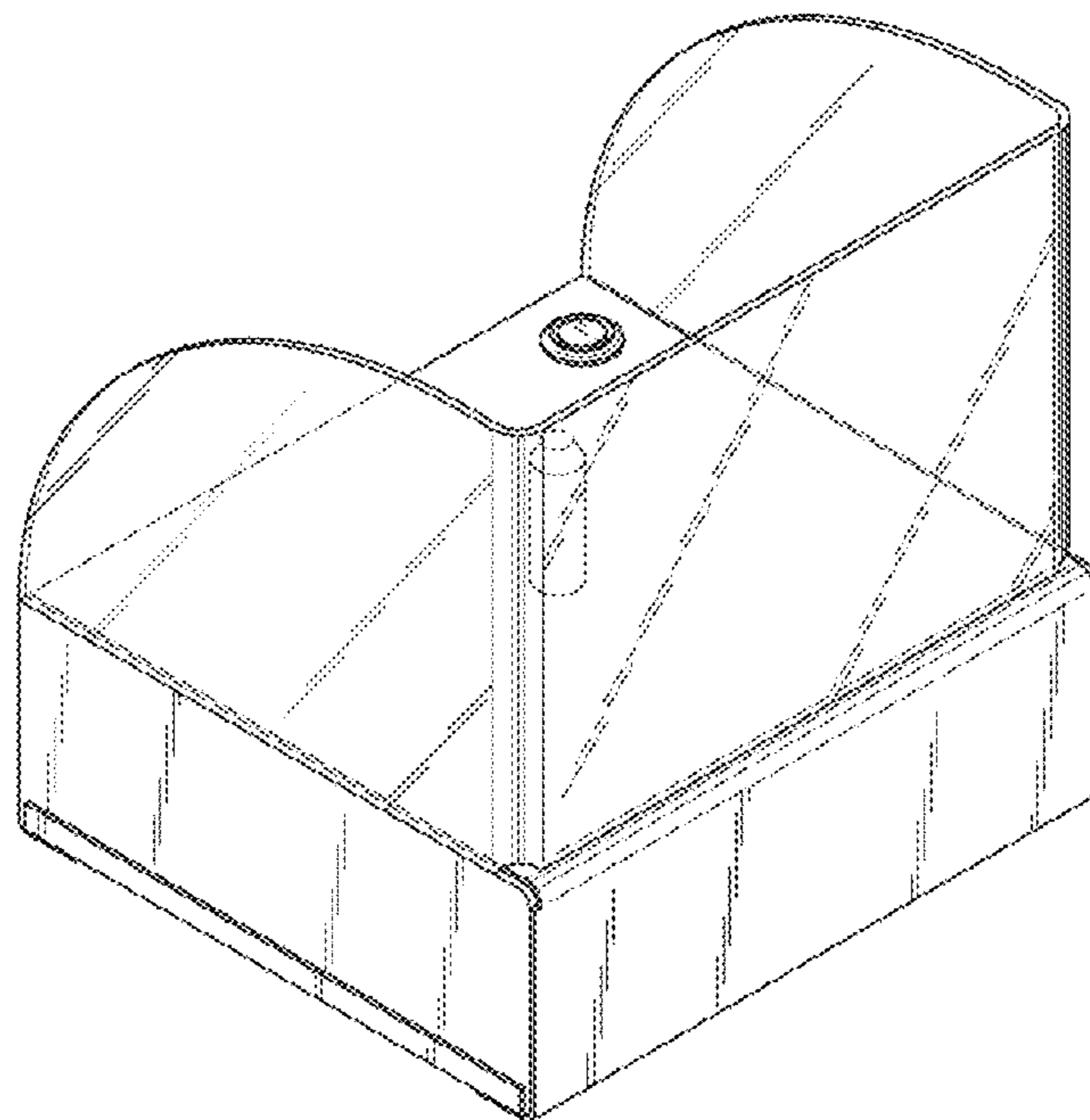
FIG. 5 is a right side view thereof;

FIG. 6 is a rear elevational view thereof; and,

FIG. 7 is a bottom plan view thereof.

The broken lines shown in the drawings represent unclaimed environment only and form no part of the claimed design. The diagonal lines indicate transparency.

**1 Claim, 7 Drawing Sheets**



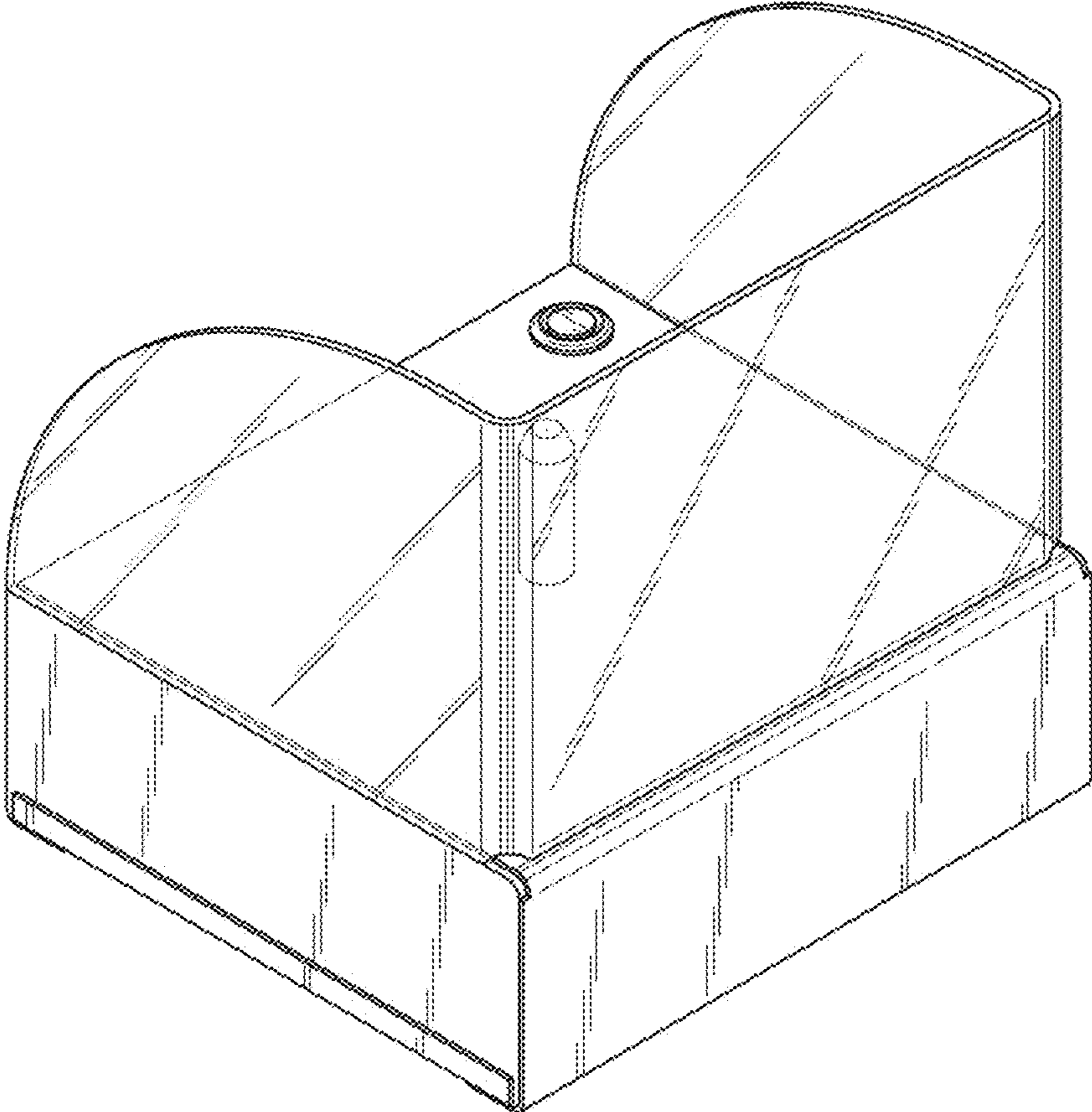


FIG. 1

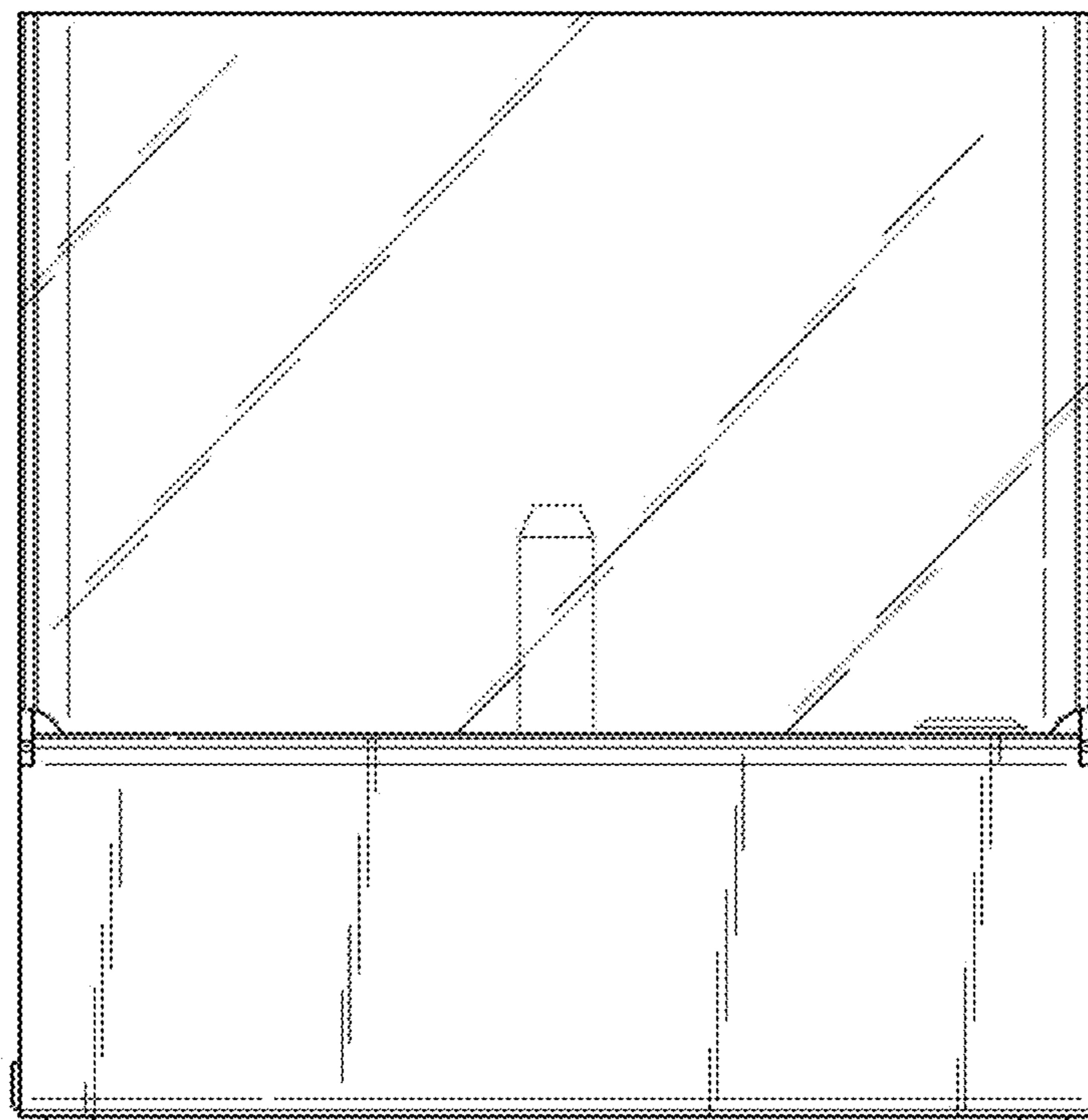


FIG. 2

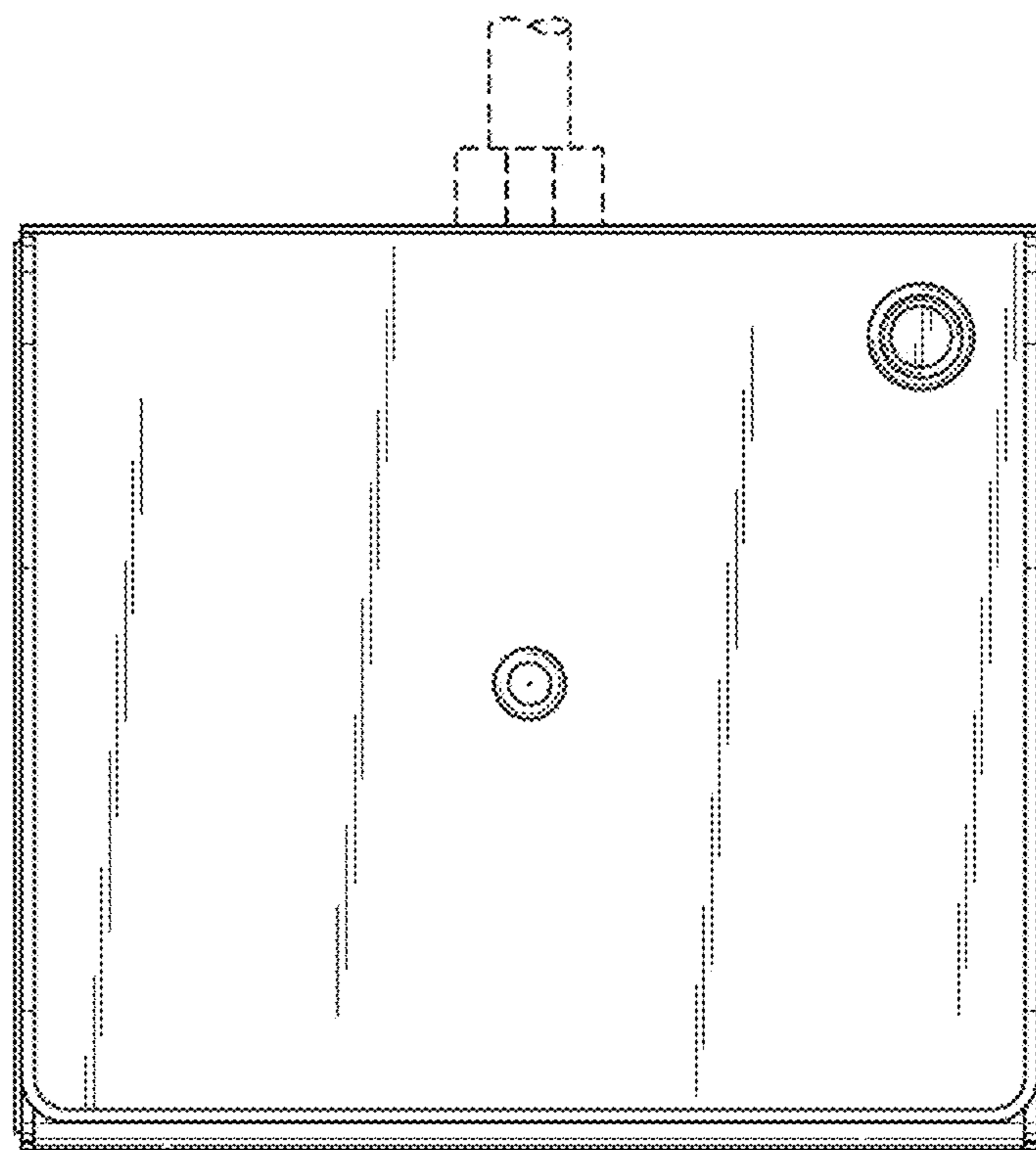


FIG. 3

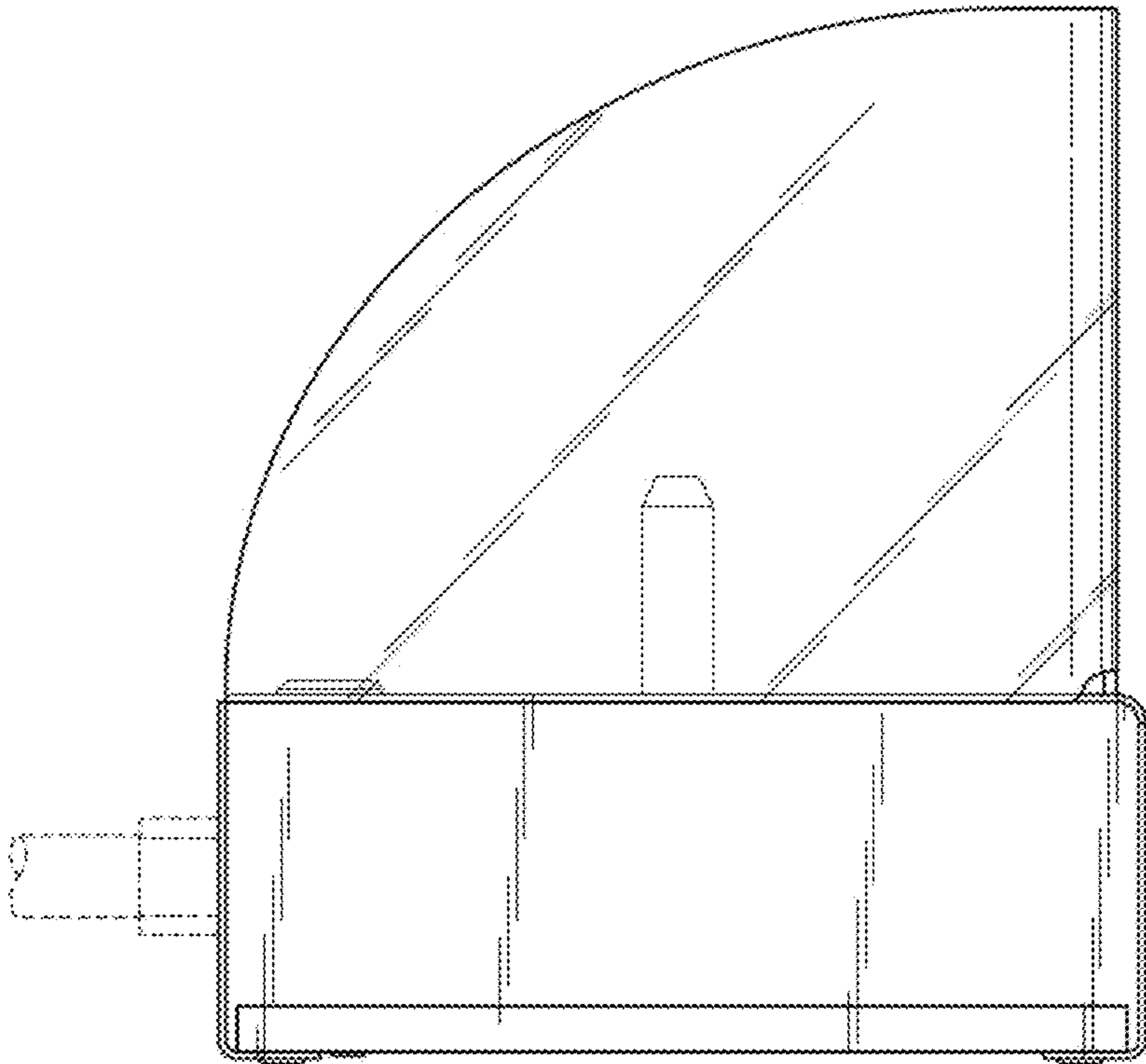


FIG. 4



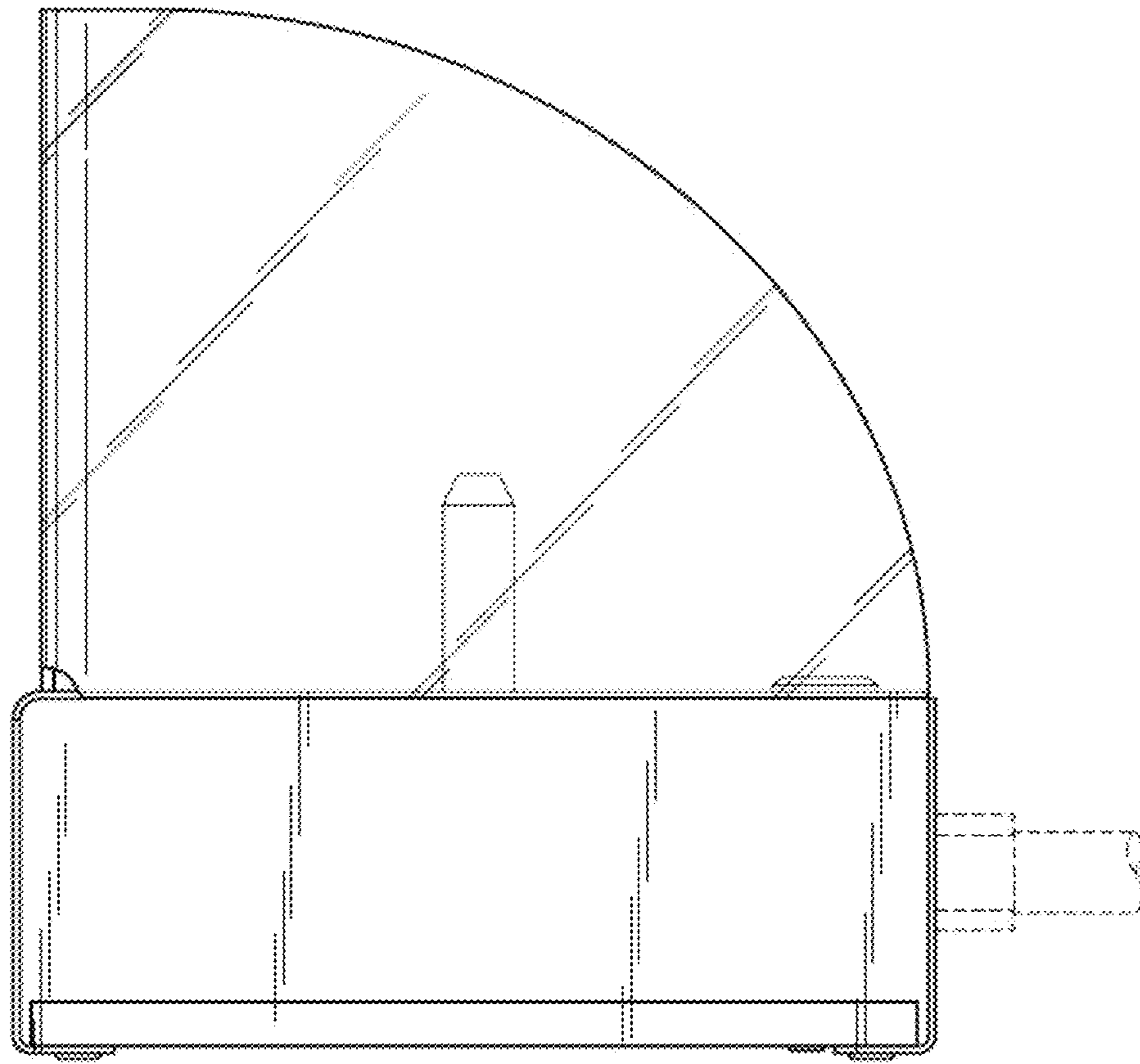


FIG. 5

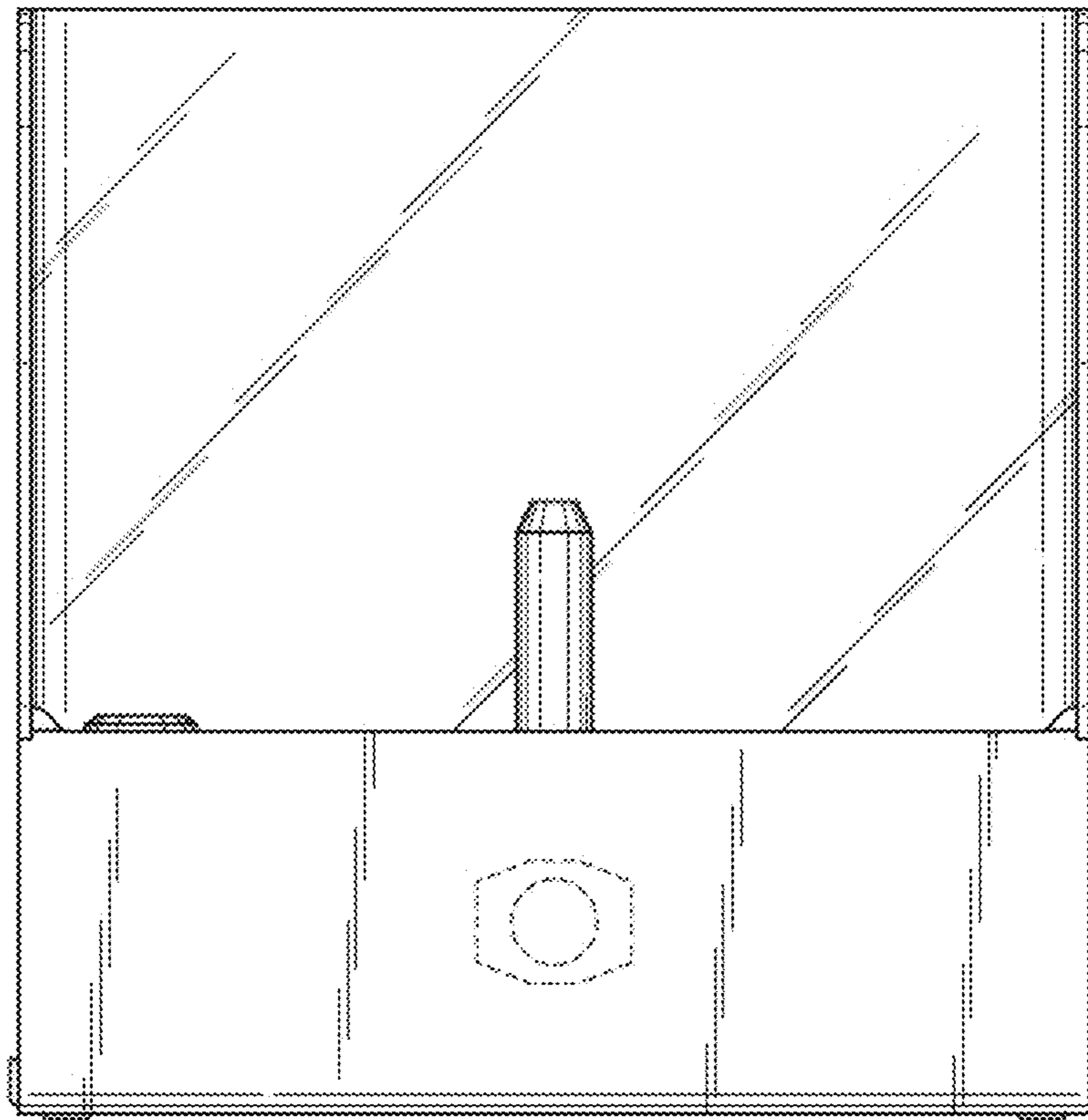


FIG. 6

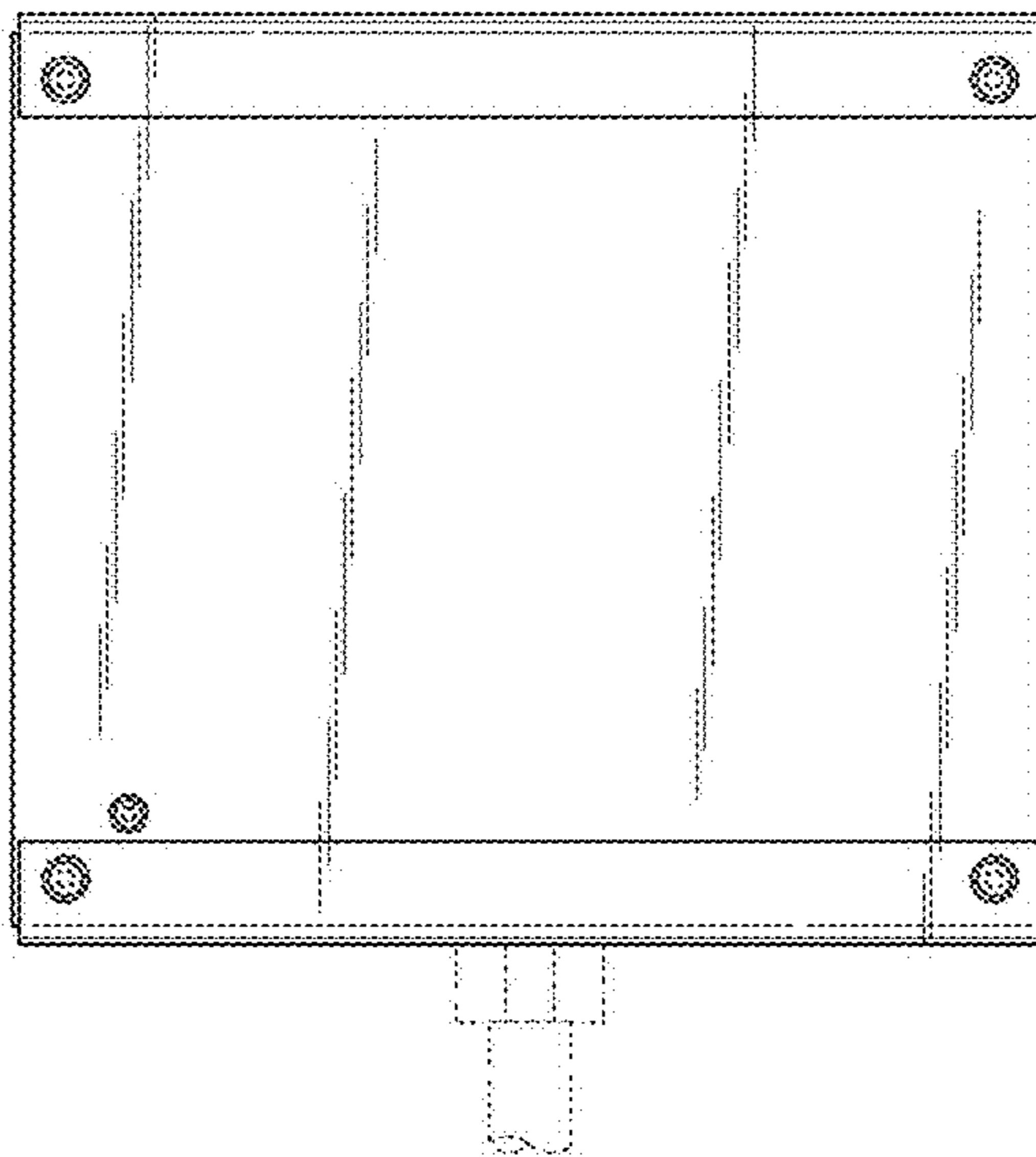


FIG. 7