



US00D798913S

(12) **United States Design Patent** (10) **Patent No.:** **US D798,913 S**  
**Whittaker et al.** (45) **Date of Patent:** **\*\* Oct. 3, 2017**

(54) **COMBINED MULCHING TOOTH AND DEPTH LIMITER**  
(71) Applicant: **Beaver Mulching Inc.**, Red Deer (CA)  
(72) Inventors: **Mark Robert Whittaker**, Rimbey (CA); **Collin Andrew Watts**, Eckville (CA)  
(73) Assignee: **Beaver Mulching Inc.**, Red Deer (CA)

4,343,516 A 8/1982 Aden  
D271,495 S 11/1983 Larsson et al.  
D274,434 S 6/1984 Nilsson  
4,542,943 A 9/1985 Montgomery, Jr.  
4,650,256 A 3/1987 Wetzinger  
4,667,713 A \* 5/1987 Wright ..... B23C 5/2265  
144/231  
4,750,396 A 6/1988 Gaddis et al.  
4,915,455 A 4/1990 O'Neill et al.  
D308,683 S 6/1990 Meyers  
(Continued)

(\*\*) Term: **15 Years**

FOREIGN PATENT DOCUMENTS

(21) Appl. No.: **29/553,828**

CA 2 290 148 A1 12/2000  
CA 2 488 508 C 1/2006  
(Continued)

(22) Filed: **Feb. 4, 2016**

(51) **LOC (10) Cl.** ..... **15-03**  
(52) **U.S. Cl.**

OTHER PUBLICATIONS

USPC ..... **D15/29**; D15/28

King Kong Tools product catalog, Mar. 2011—17 pages.  
(Continued)

(58) **Field of Classification Search**  
USPC ..... D15/11, 28, 29, 21, 19; 37/456, 452, 37/450, 446, 454, 449, 453, 455, 903; 403/379.5, DIG. 1; 111/152; 172/724, 172/730, 766, 770, 771, 721, 713, 699, 172/772  
CPC ..... Y10T 29/49826; Y10T 403/589; Y10T 403/7018; Y10T 403/7075; E02F 9/28; E02F 9/2825; E02F 9/2833; E02F 9/2866; E02F 9/2858; E02F 9/2808; E02F 9/2841  
See application file for complete search history.

*Primary Examiner* — Mark Goodwin  
(74) *Attorney, Agent, or Firm* — Lathrop & Gage LLP

(57) **CLAIM**

The ornamental design for a combined mulching tooth and depth limiter, as shown and described.

**DESCRIPTION**

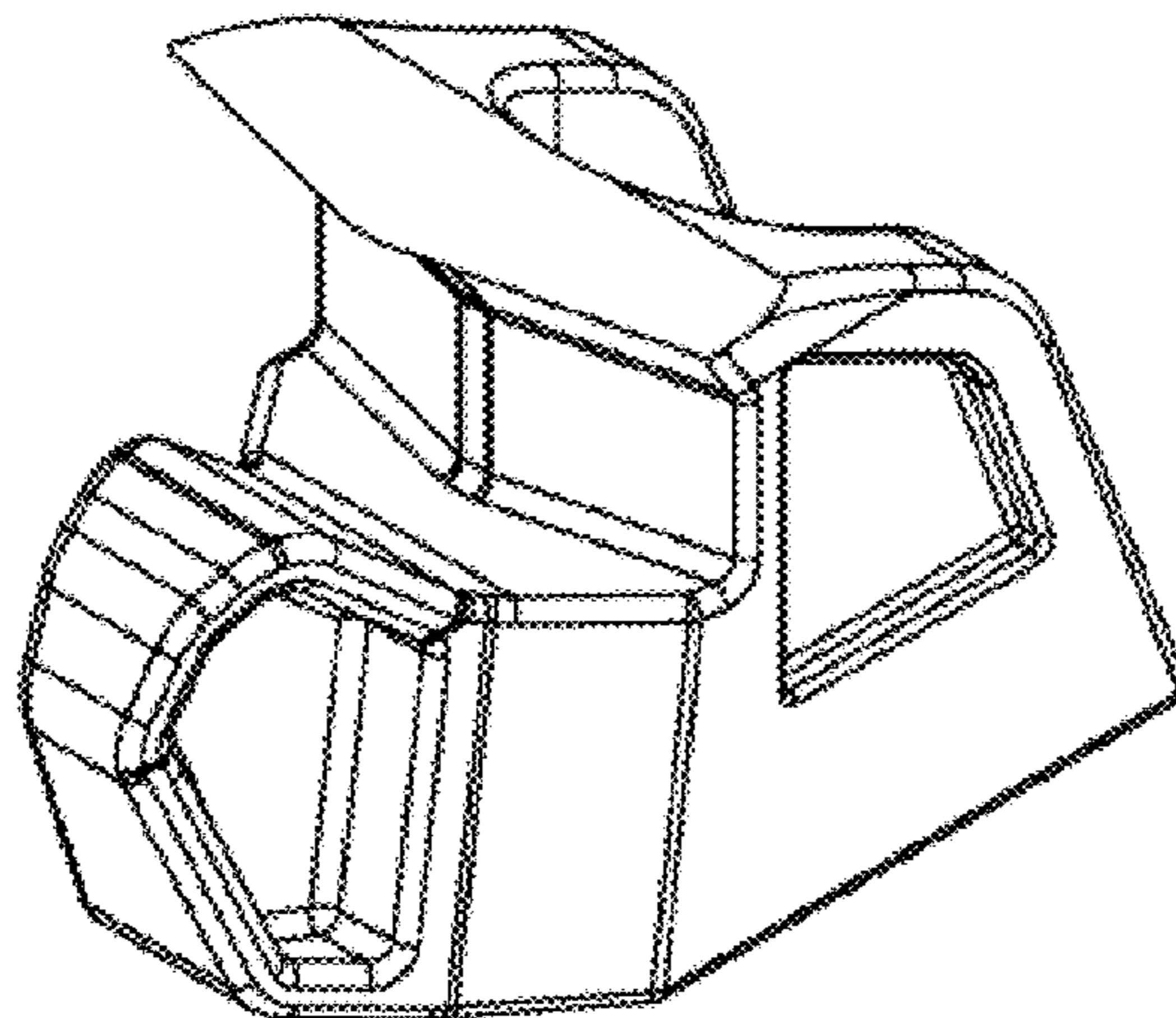
FIG. 1 is a top, front and left side perspective view of a combined mulching tooth and depth limiter showing my new design;  
FIG. 2 is a rear view thereof;  
FIG. 3 is a left side view thereof;  
FIG. 4 is a front view thereof;  
FIG. 5 is a right side view thereof;  
FIG. 6 is a bottom plan view thereof; and,  
FIG. 7 is a top plan view thereof.

(56) **References Cited**

U.S. PATENT DOCUMENTS

2,896,345 A 7/1959 Peklay  
2,968,880 A 1/1961 Petersen  
D207,449 S 4/1967 Wilson  
3,844,619 A 10/1974 Haller  
RE28,310 E 1/1975 Krekeler  
D243,843 S 3/1977 Edwards  
4,261,620 A 4/1981 Troxler  
4,275,929 A 6/1981 Krekeler

**1 Claim, 2 Drawing Sheets**



(56)

References Cited

U.S. PATENT DOCUMENTS

D308,684 S 6/1990 Meyers  
 5,005,622 A 4/1991 Beach et al.  
 5,148,616 A 9/1992 Maguina-Larco  
 5,647,641 A 7/1997 Sulosky et al.  
 5,692,689 A 12/1997 Shinn  
 5,725,283 A 3/1998 O'Neill  
 5,794,866 A 8/1998 Shinn  
 5,848,627 A 12/1998 Brown  
 6,024,143 A 2/2000 Ritchey  
 6,176,445 B1 1/2001 Shinn  
 6,371,567 B1 4/2002 Sollami  
 6,382,277 B1 5/2002 Paumier et al.  
 6,386,641 B2 \* 5/2002 Mondy ..... B23K 33/00  
 228/164  
 D458,614 S 6/2002 Esterhuysen et al.  
 6,481,655 B1 11/2002 Feigel, Jr.  
 6,481,803 B2 11/2002 Ritchey  
 6,523,768 B2 2/2003 Recker et al.  
 D490,443 S \* 5/2004 Cao ..... D15/29  
 6,764,035 B2 7/2004 Denis et al.  
 6,832,818 B2 12/2004 Luciano  
 6,854,810 B2 2/2005 Montgomery, Jr.  
 7,210,744 B2 5/2007 Montgomery, Jr.  
 7,222,808 B2 5/2007 Edwards  
 7,299,836 B2 11/2007 Green  
 7,338,134 B2 \* 3/2008 Latham ..... B28D 1/188  
 299/102  
 D567,270 S 4/2008 Chiang  
 7,380,576 B2 6/2008 Pizzuto  
 D574,689 S 8/2008 Holl et al.  
 7,520,570 B2 4/2009 Sansone et al.  
 7,607,867 B2 \* 10/2009 Benson ..... B23B 27/164  
 407/101  
 7,694,443 B2 \* 4/2010 Gabela ..... E02F 9/2825  
 299/102  
 7,810,531 B2 10/2010 Labbe  
 7,971,375 B2 7/2011 Gabela et al.  
 8,167,225 B2 \* 5/2012 Gaudreault ..... A01D 34/835  
 241/101.77  
 8,550,391 B2 10/2013 Denis et al.  
 D699,269 S \* 2/2014 Whittaker ..... D15/29  
 8,672,001 B2 \* 3/2014 Leonardi ..... A01G 23/067  
 144/176  
 8,893,997 B2 \* 11/2014 Gaudreault ..... A01D 34/835  
 241/242  
 2001/0045478 A1 11/2001 Recker et al.

2004/0256509 A1 12/2004 Dorscht  
 2005/0098015 A1 5/2005 Latham  
 2006/0016314 A1 1/2006 Gaudreault  
 2008/0041027 A1 2/2008 Qualie  
 2008/0283257 A1 11/2008 Edwards  
 2008/0298909 A1 \* 12/2008 Gaudreault ..... A01D 34/835  
 407/47  
 2009/0260717 A1 10/2009 McQueen et al.  
 2010/0043922 A1 \* 2/2010 Leonardi ..... A01G 23/067  
 144/235  
 2011/0290921 A1 12/2011 Gaudreault et al.  
 2012/0217333 A1 \* 8/2012 Gaudreault ..... A01D 34/835  
 241/282.2  
 2013/0099039 A1 \* 4/2013 Gaudreault ..... B02C 18/145  
 241/282.2  
 2013/0112792 A1 5/2013 Doppstadt et al.  
 2014/0196819 A1 \* 7/2014 Leonardi ..... A01G 23/067  
 144/241  
 2014/0217220 A1 8/2014 Weinberg  
 2014/0261889 A1 9/2014 Labbe  
 2014/0346263 A1 11/2014 Pfofner et al.  
 2015/0014458 A1 \* 1/2015 Pfofner ..... A01B 33/103  
 241/101.742  
 2016/0205875 A9 \* 7/2016 Leonardi ..... A01G 23/067  
 2017/0106375 A1 \* 4/2017 Gaudreault ..... A01G 23/00

FOREIGN PATENT DOCUMENTS

CA 2 638 898 A1 2/2010  
 CA 2 717 479 A1 1/2012  
 CA 2 756 326 A1 4/2013  
 CA 2 860 424 A1 7/2013  
 CA 2 818 614 A1 11/2014  
 DE 2 330 262 A1 1/1975  
 EP 1 186 744 A2 3/2002  
 EP 1 214 979 A1 6/2002  
 FR 2 291 003 A1 6/1976  
 FR 2 390 255 A1 12/1978  
 GB 737 384 A 9/1955  
 WO WO 2012/012873 A1 2/2012

OTHER PUBLICATIONS

Kennametal "Road Construction Drums & Block Systems" brochure, 2010—7 pages.  
 Kennametal Product, two photographs, Jul. 2012.  
 U.S. Appl. No. 29/553,827, filed Feb. 4, 2016.

\* cited by examiner

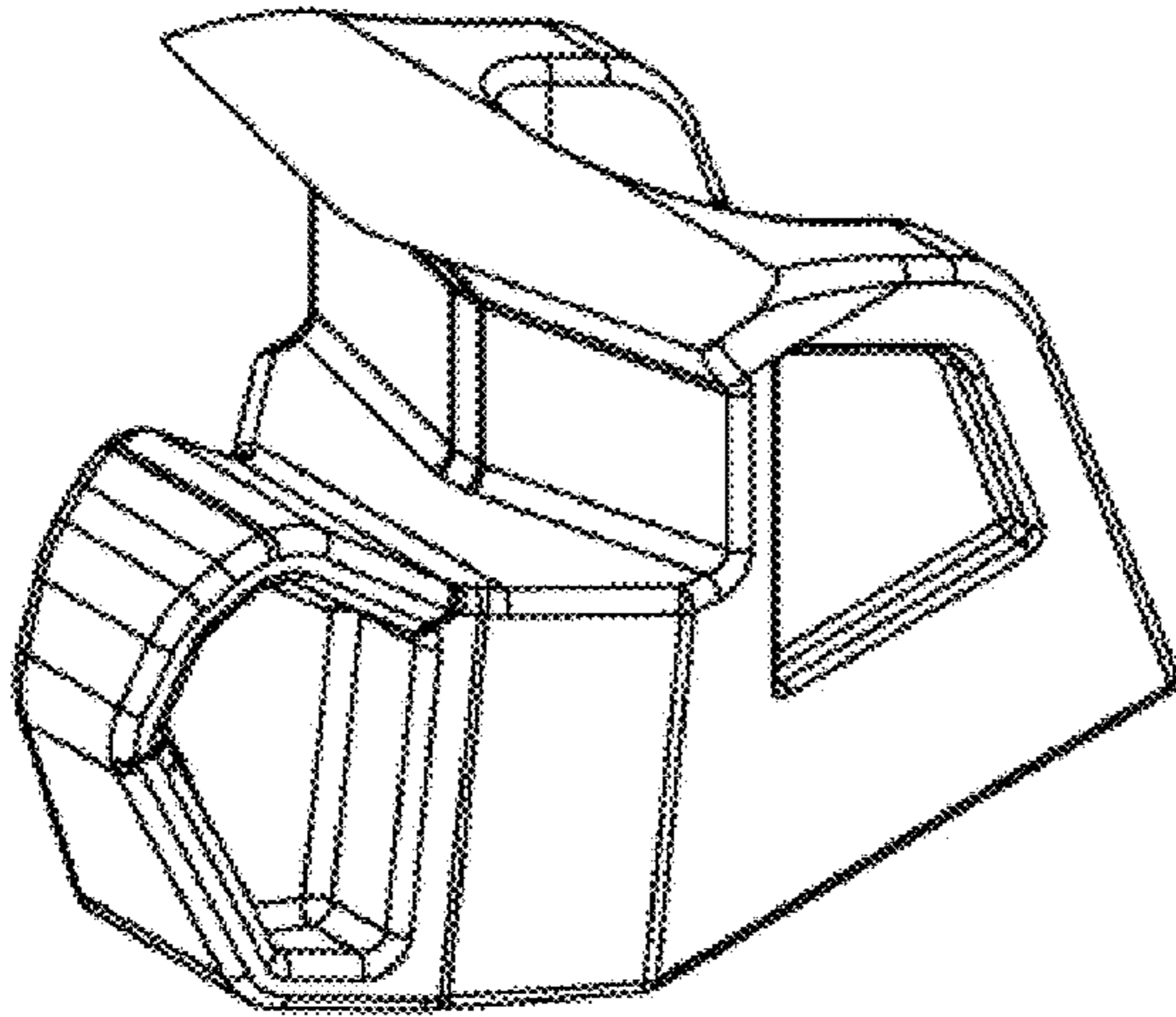


FIG. 1

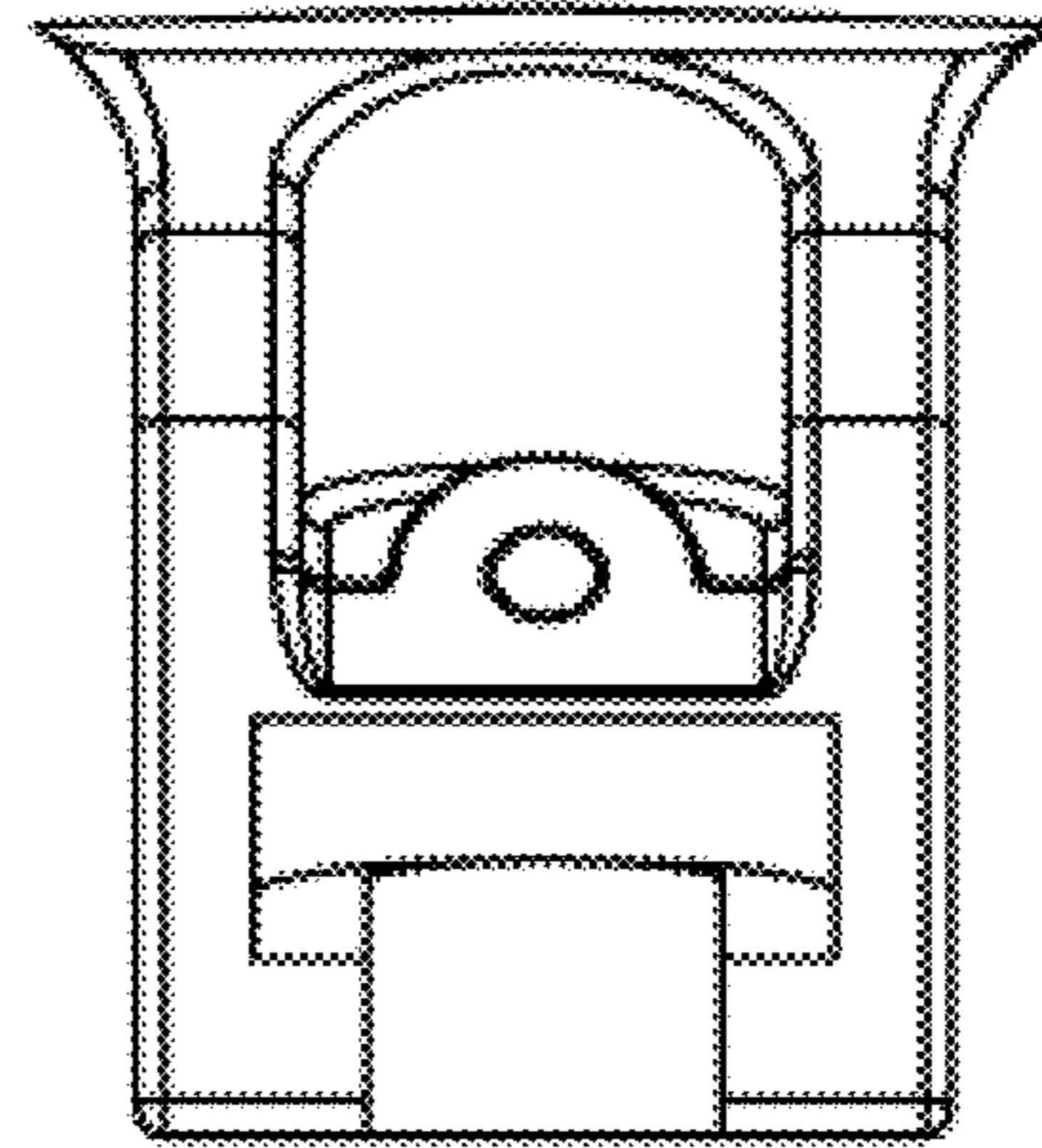


FIG. 2

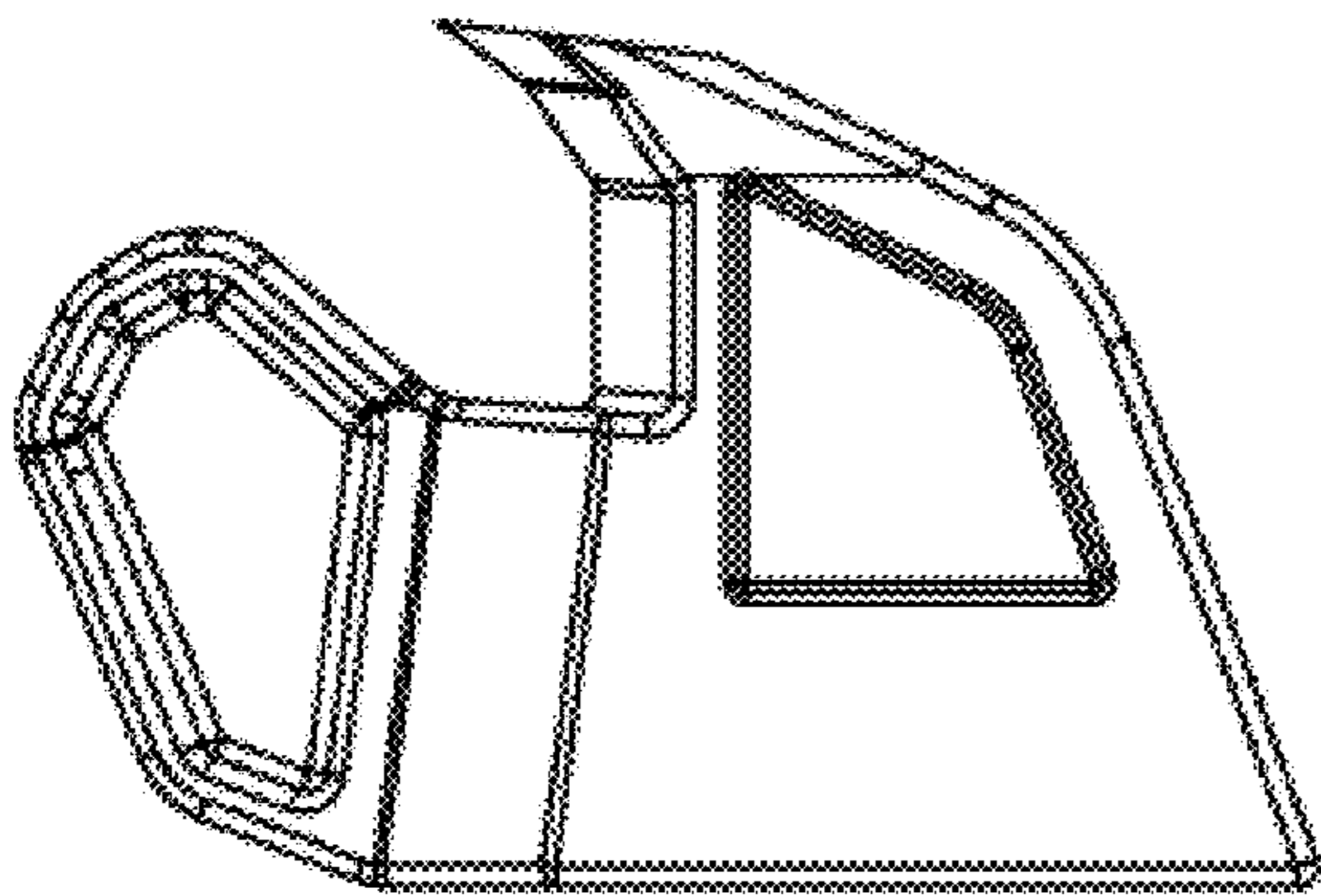


FIG. 3

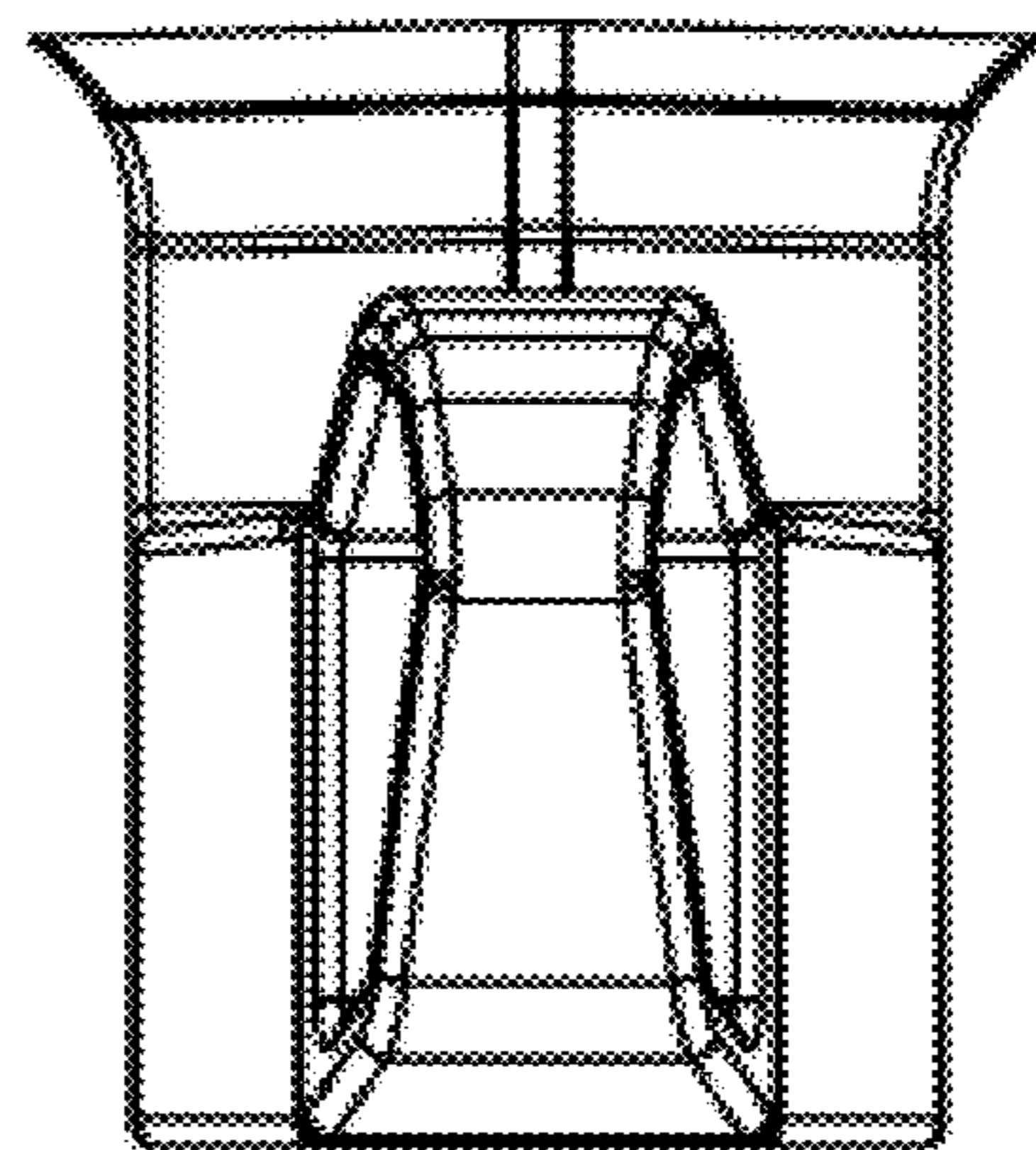


FIG. 4

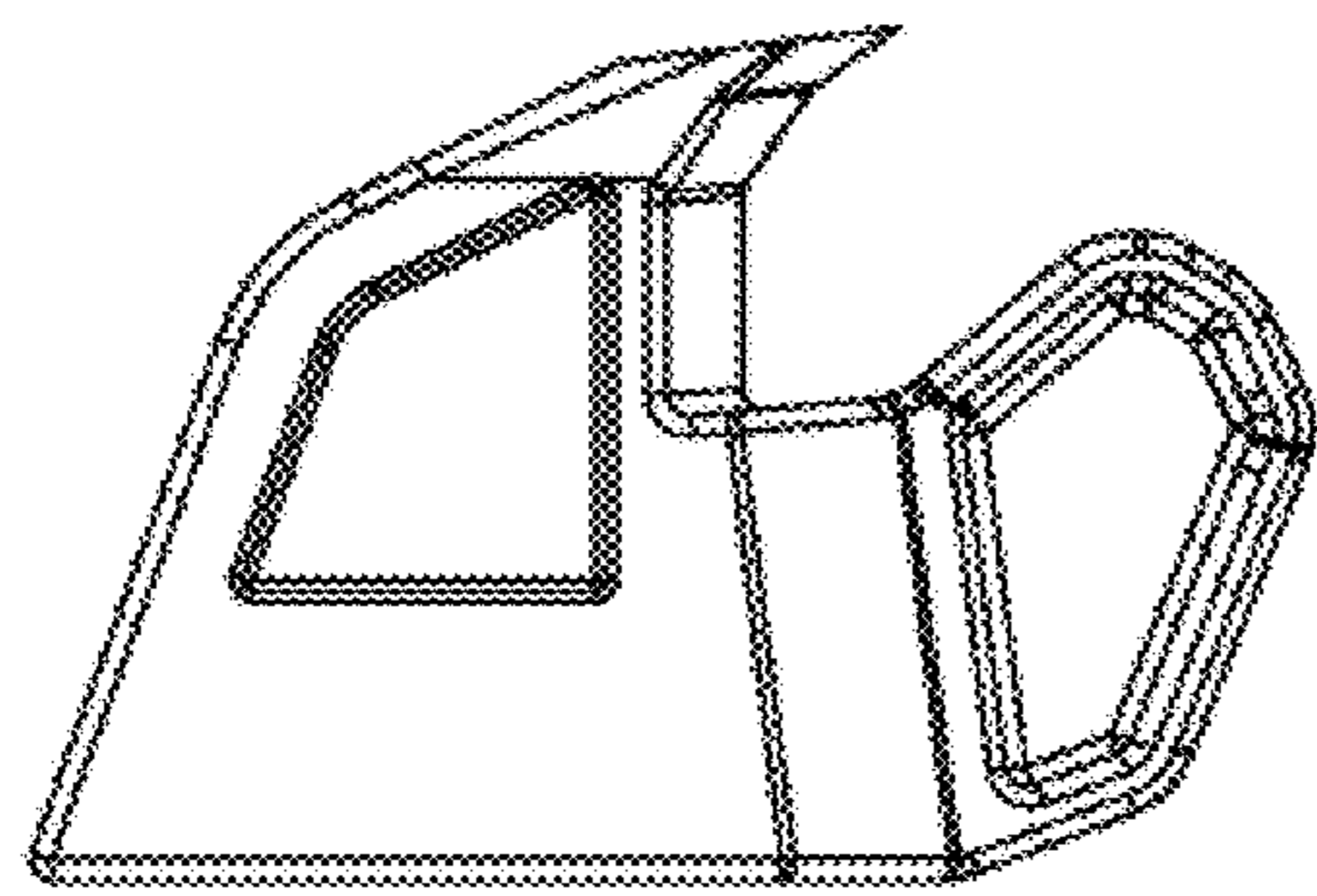


FIG. 5

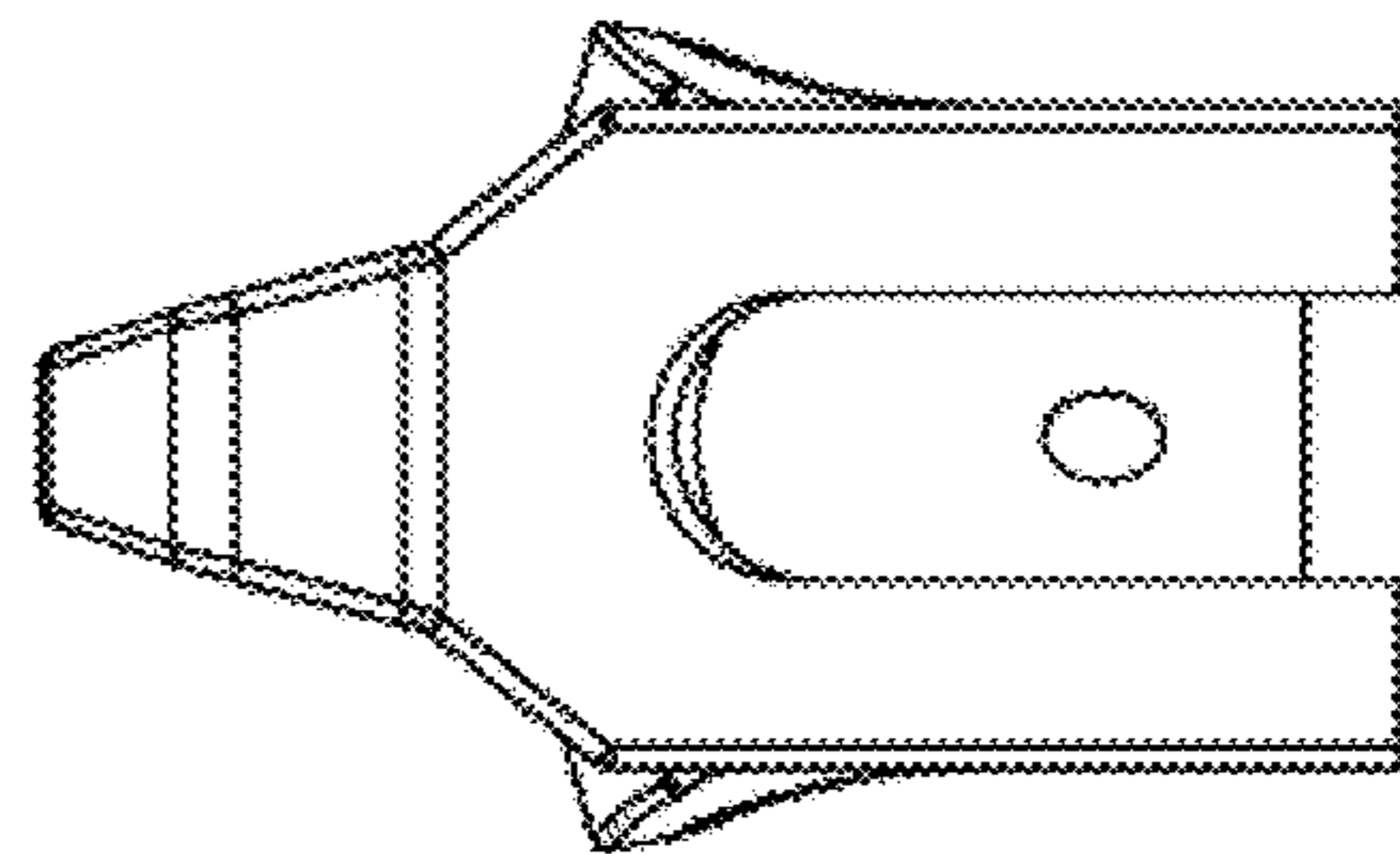


FIG. 6

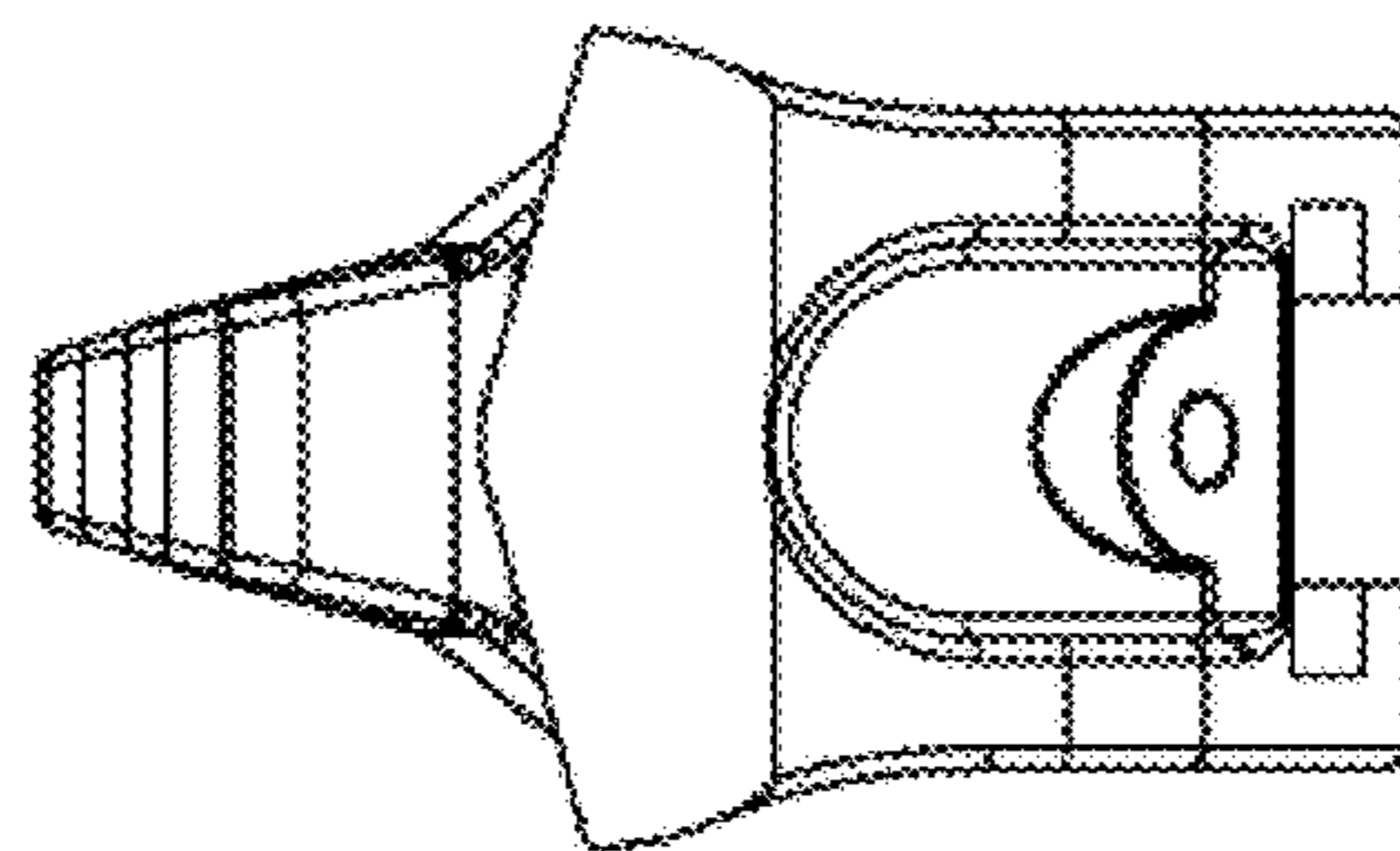


FIG. 7