



US00D798909S

(12) **United States Design Patent**  
**Hammoud**

(10) **Patent No.:** **US D798,909 S**

(45) **Date of Patent:** **\*\* Oct. 3, 2017**

(54) **GAS TURBINE BLOWER/PUMP**

D699,763 S \* 2/2014 Fitch ..... D15/7  
D719,192 S \* 12/2014 Schlenker ..... D15/7  
D782,540 S \* 3/2017 Zhang ..... D15/7

(71) Applicant: **Omar Hammoud**, Lorraine (CA)

\* cited by examiner

(72) Inventor: **Omar Hammoud**, Lorraine (CA)

*Primary Examiner* — Ralf Seifert

(\*\*) Term: **15 Years**

(74) *Attorney, Agent, or Firm* — Eugene J. A. Gierczak

(21) Appl. No.: **29/554,811**

(57) **CLAIM**

(22) Filed: **Feb. 16, 2016**

The ornamental design for the “gas turbine blower/pump,” as shown and described.

(51) **LOC (10) Cl.** ..... **15-02**

(52) **U.S. Cl.**  
USPC ..... **D15/7**

**DESCRIPTION**

(58) **Field of Classification Search**  
USPC ..... D15/7-9; D23/231, 232, 225; 417/60,  
417/235, 265, 321, 355, 358, 363, 359,  
417/410.1, 415-416, 405, 900, 269, 539,  
417/437; 60/408, 412, 801; 184/26-37;  
415/140-147; 123/495, 509; 137/565.34;  
222/324  
CPC ..... F02M 37/04; F02M 37/14; F04B 53/92;  
F04B 1/005; F04B 33/005  
See application file for complete search history.

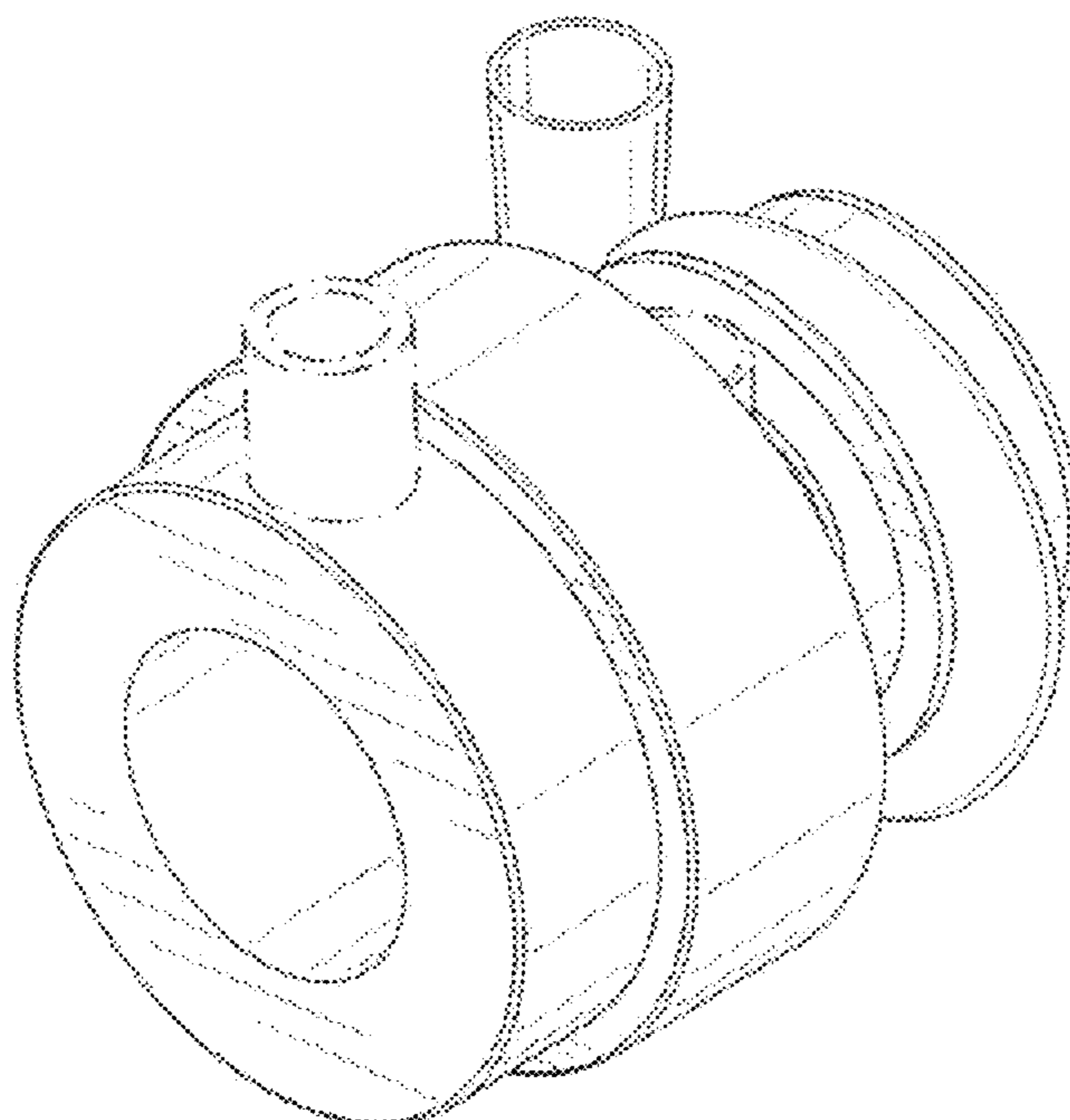
FIG. 1 is a perspective view taken from the right front side view of the gas turbine blower/pump;  
FIG. 2 is a perspective view taken from the rear right side view of the gas turbine blower/pump;  
FIG. 3 is a front elevational view of the gas turbine blower/pump;  
FIG. 4 is a left side elevational view of the gas turbine blower/pump;  
FIG. 5 is a right side elevational view of the gas turbine blower/pump;  
FIG. 6 is a rear elevational view of the gas turbine blower/pump;  
FIG. 7 is a top plan view of the gas turbine blower/pump;  
and,  
FIG. 8 is a bottom plan view of the gas turbine blower/pump.  
The broken lines in FIGS. 1, 2, 3, 4, 5, 6, and 7 depict environment and form no part of the claimed design.

(56) **References Cited**

**U.S. PATENT DOCUMENTS**

D221,258 S \* 7/1971 Sadler ..... D15/7  
D305,124 S \* 12/1989 Singhoff ..... D15/7  
D581,434 S \* 11/2008 Hamagishi ..... D15/7  
D641,380 S \* 7/2011 Milojevic ..... D15/7  
D641,381 S \* 7/2011 Milojevic ..... D15/7

**1 Claim, 4 Drawing Sheets**



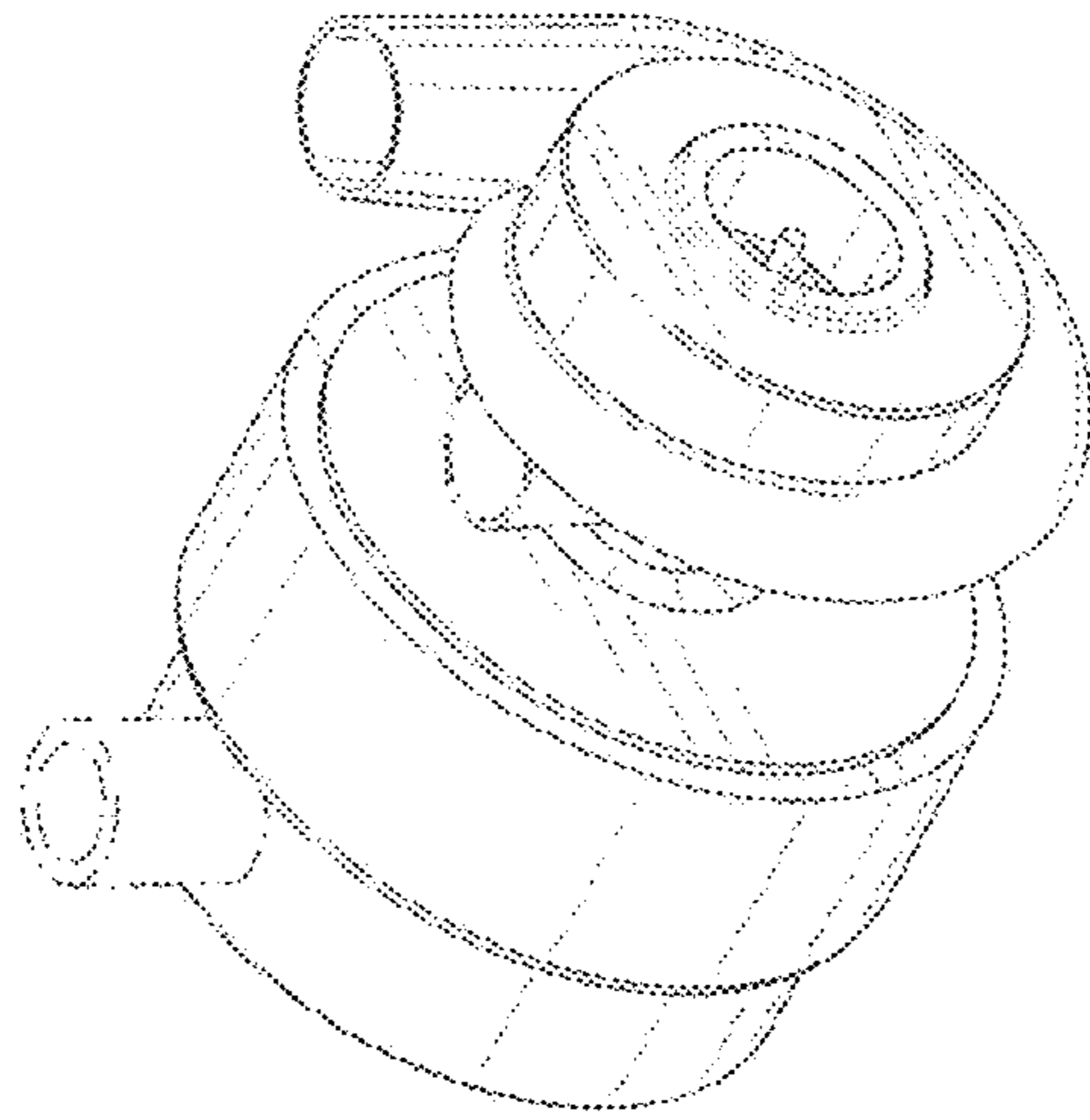


FIG. 2

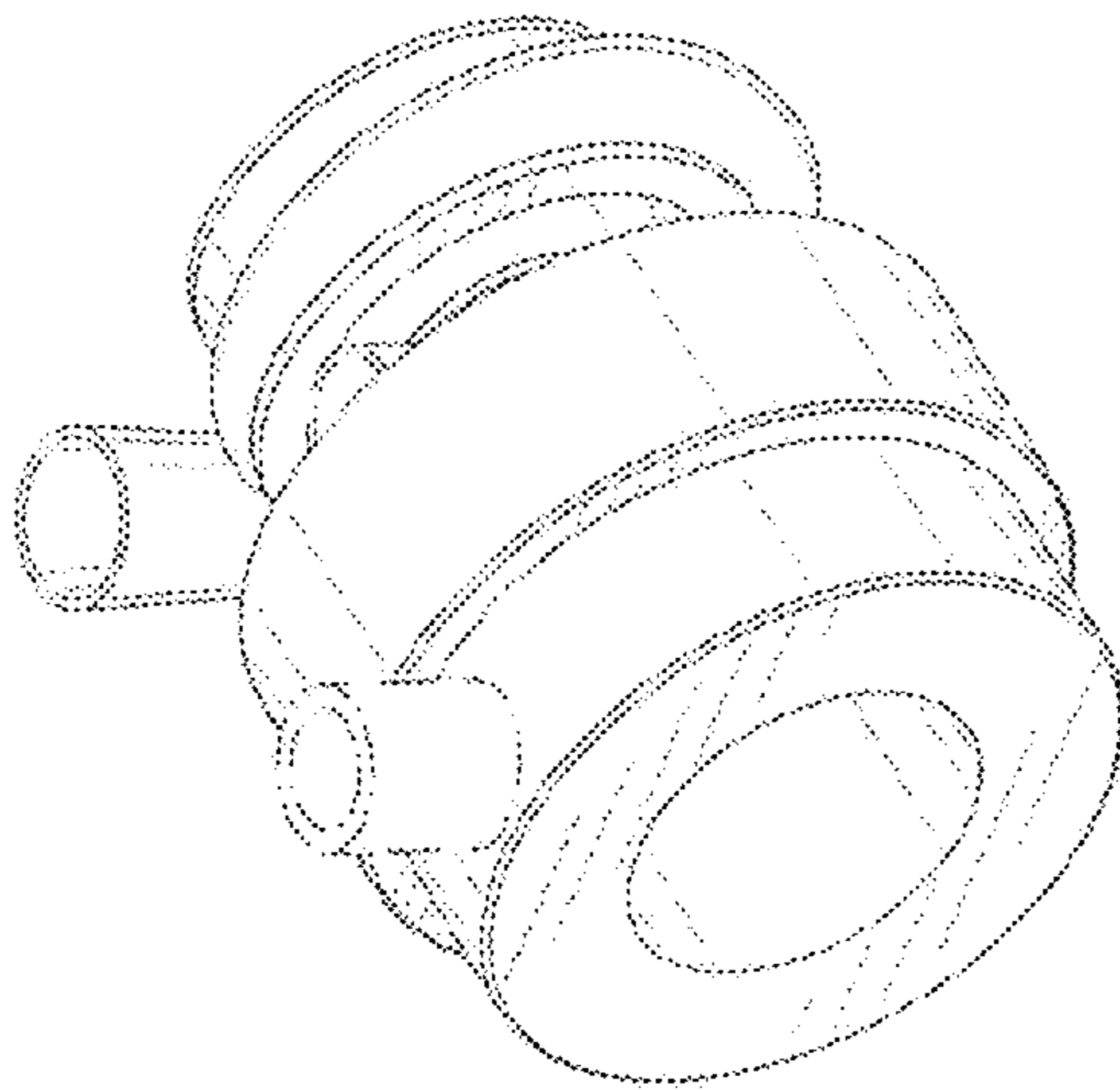


FIG. 1

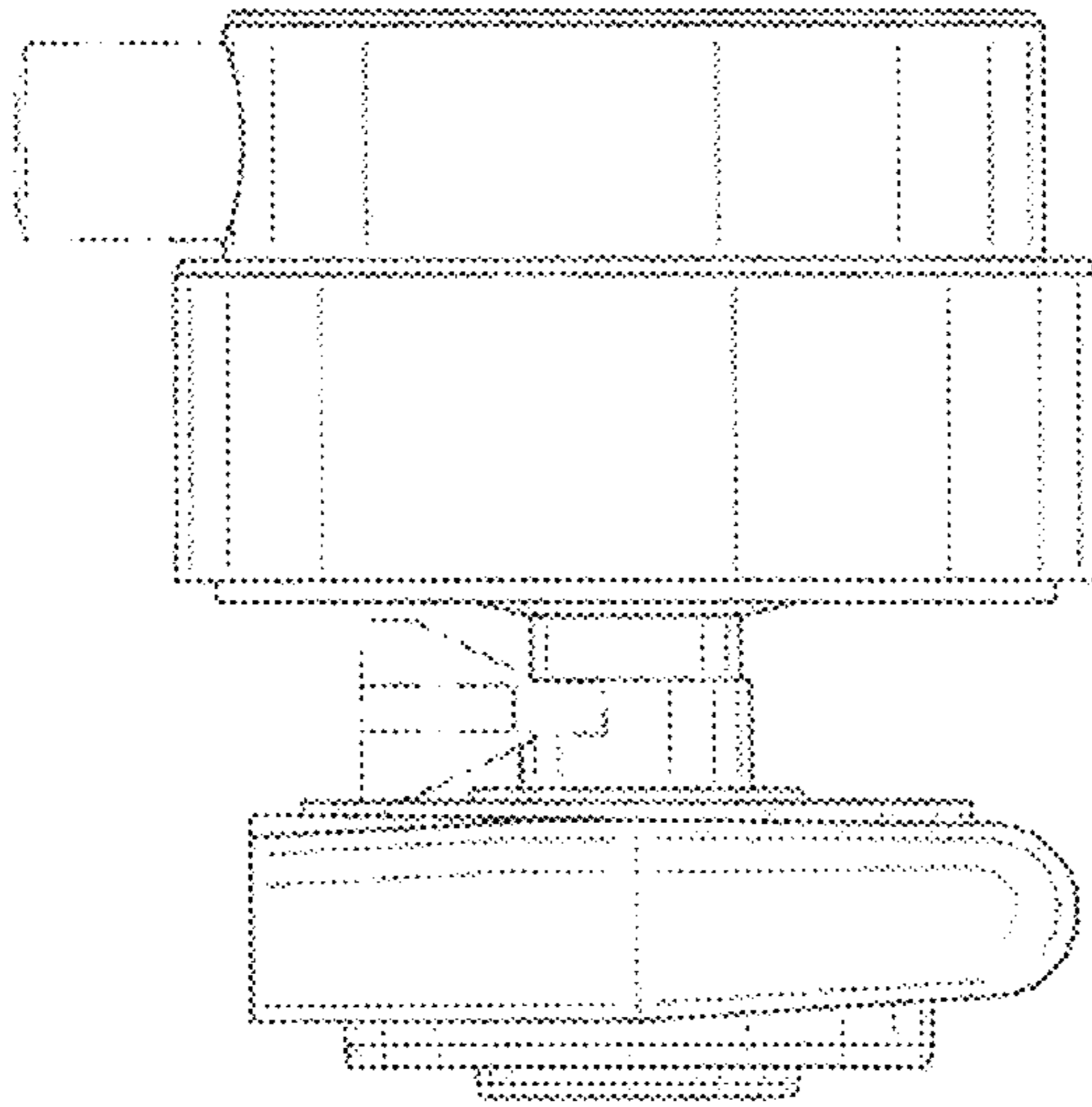


FIG. 4

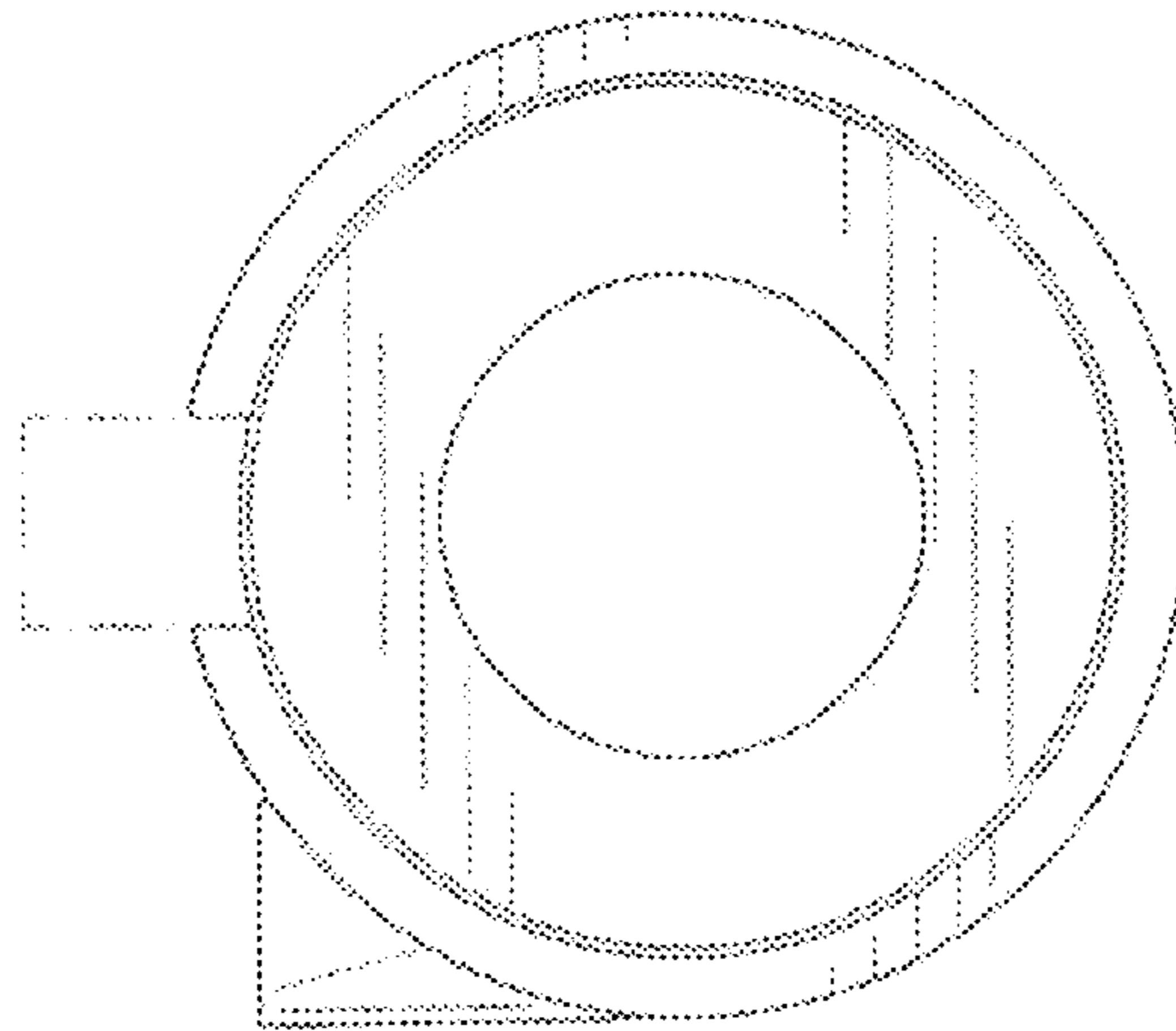


FIG. 3

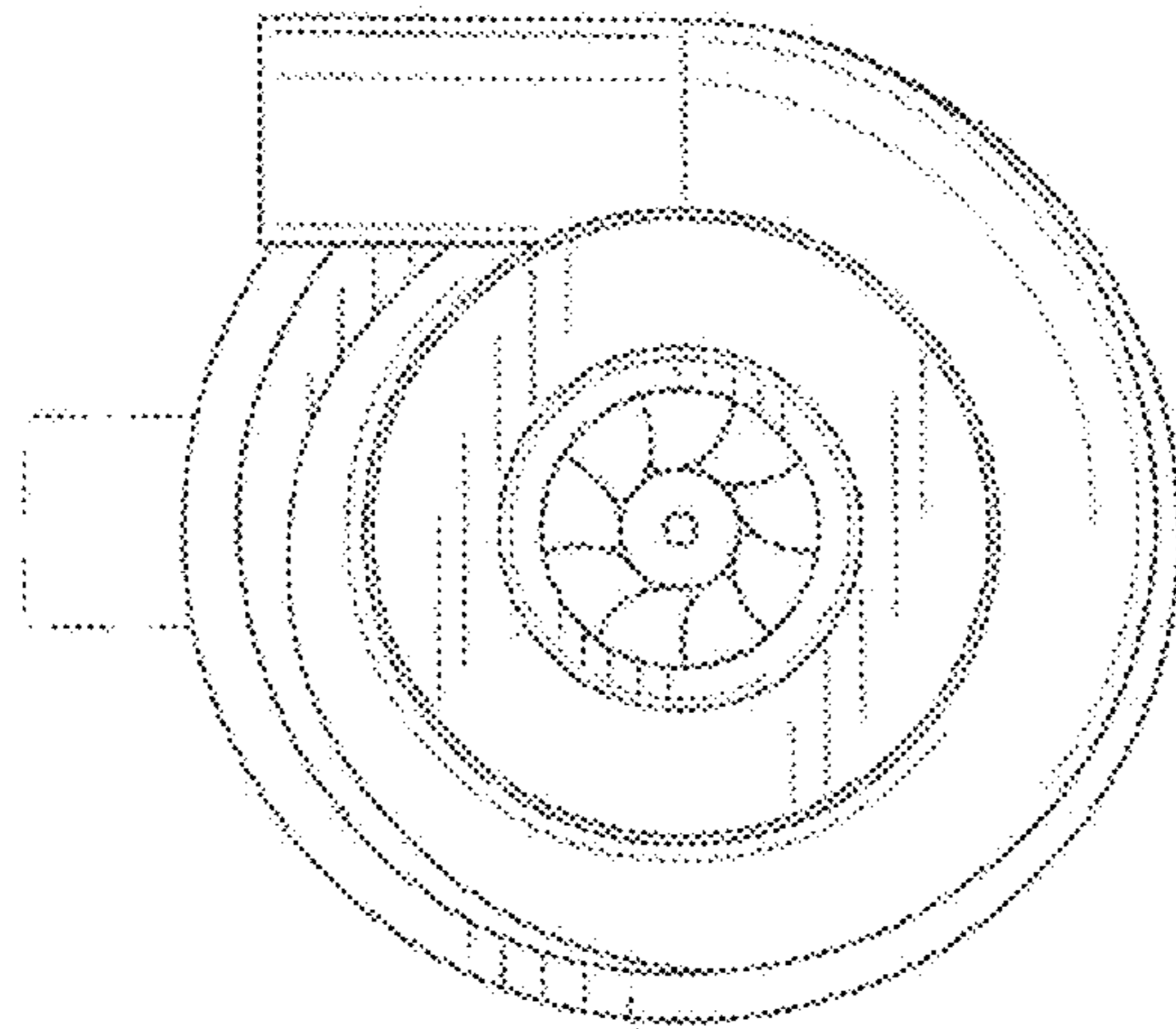


FIG. 6

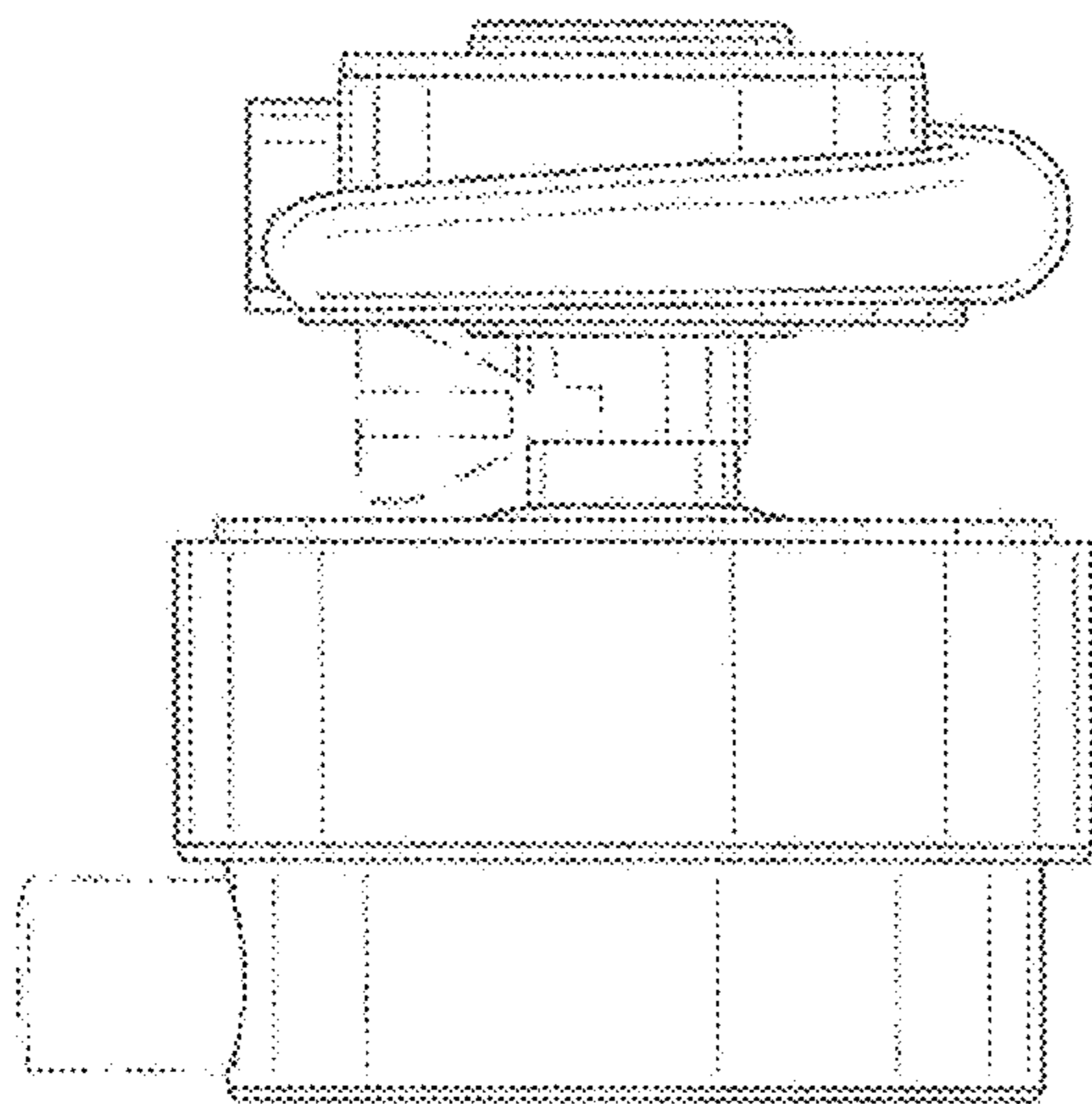


FIG. 5

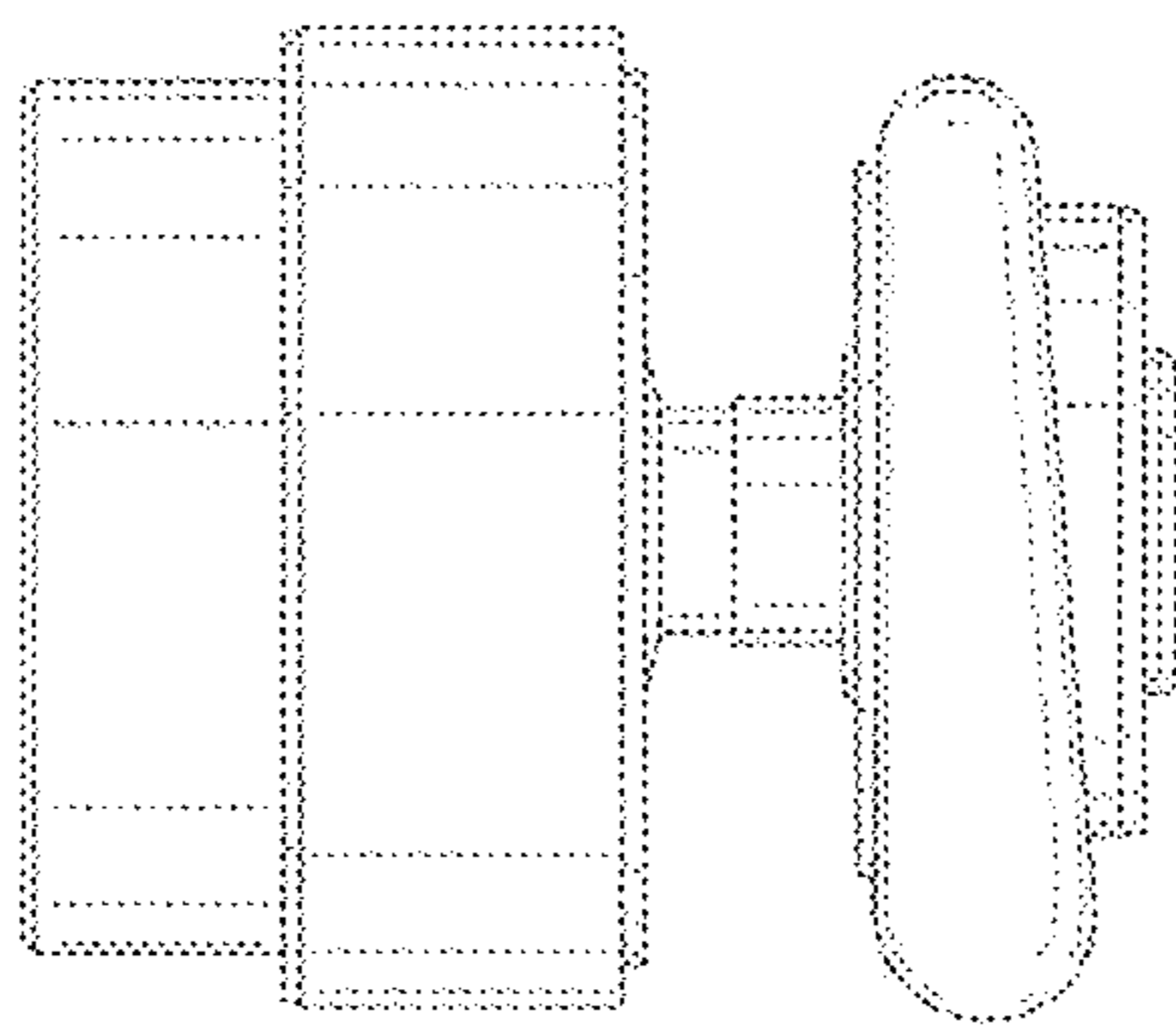


FIG. 8

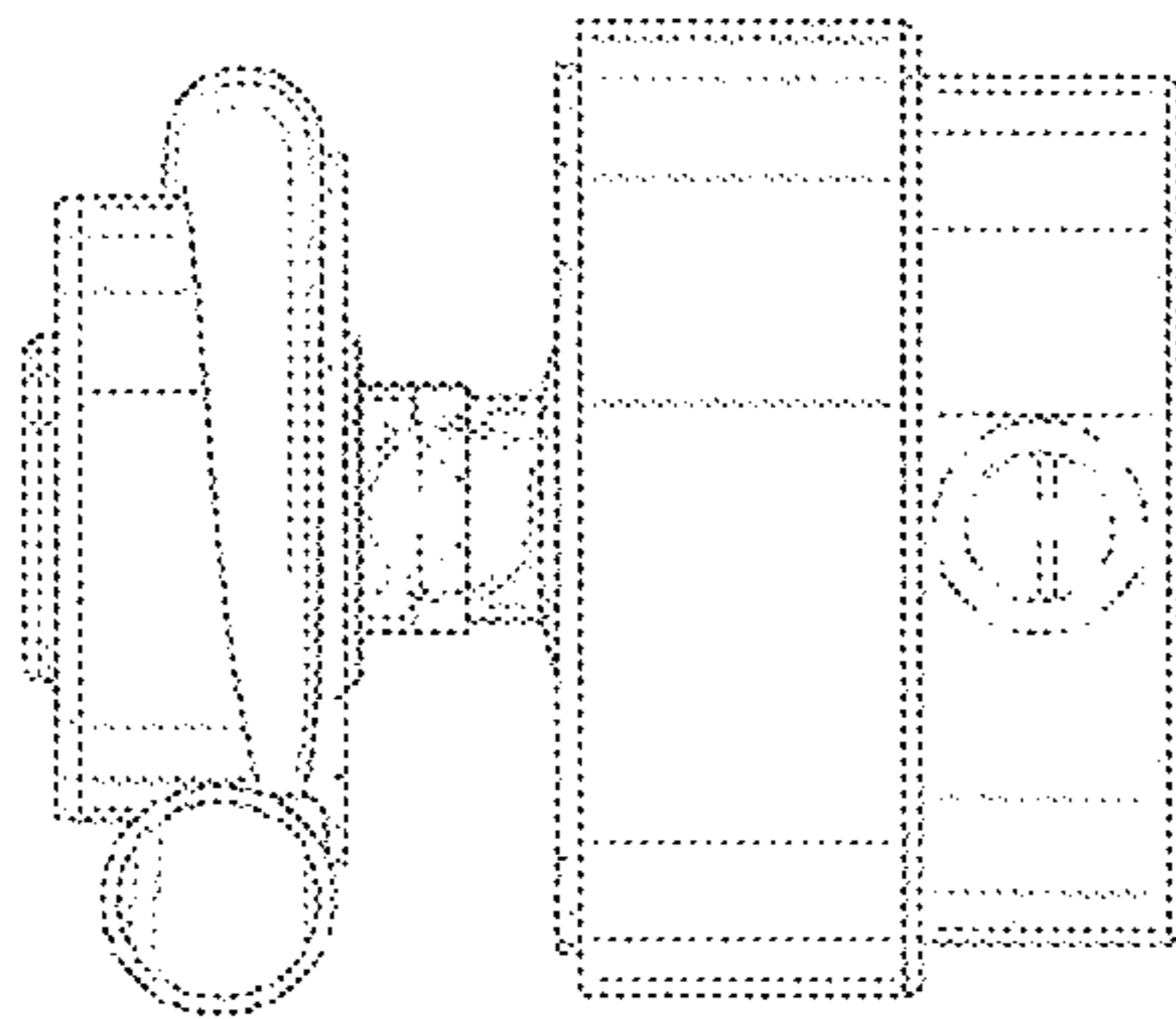


FIG. 7