



US00D798908S

(12) **United States Design Patent** (10) **Patent No.:** **US D798,908 S**  
**Clark et al.** (45) **Date of Patent:** **\*\* Oct. 3, 2017**

(54) **OIL COOLER PLATE**

(71) Applicant: **D&J DIESEL PERFORMANCE AND REPAIR, LLC**, Midvale, UT (US)

(72) Inventors: **Dustin J. Clark**, Riverton, UT (US);  
**Stephen G. Sorensen**, West Valley City, UT (US)

(73) Assignee: **D&J Diesel Performance and Repair, LLC**, Midvale, UT (US)

(\*\*) Term: **15 Years**

(21) Appl. No.: **29/559,907**

(22) Filed: **Mar. 31, 2016**

(51) **LOC (10) Cl.** ..... **15-01**

(52) **U.S. Cl.**  
USPC ..... **D15/5**

(58) **Field of Classification Search**  
USPC .... D15/5; D8/349, 354, 363, 373, 357, 384;  
D23/323, 322  
CPC ..... F28D 9/0093; F28D 9/0056; F28D 9/005;  
F28D 9/0043; F28D 9/00; F01P 11/08;  
F01P 11/12; F01P 11/10; F01P 11/18;  
F28F 9/0131; F28F 9/0248; F28F 9/0251;  
F01M 2005/004; F01M 5/00; F01M  
2001/1092  
See application file for complete search history.

(56) **References Cited**

U.S. PATENT DOCUMENTS

4,423,708 A \* 1/1984 Sweetland ..... F01P 11/08  
123/196 AB

D315,859 S \* 4/1991 Carroll ..... D8/357

D342,524 S \* 12/1993 Younger ..... D15/149

5,862,654 A \* 1/1999 Thier ..... A01D 34/42  
180/299

D442,539 S \* 5/2001 Nickel ..... D12/223

6,499,666 B1 \* 12/2002 Brown ..... F01M 5/007  
236/34.5

6,997,238 B1 \* 2/2006 Ruthy ..... F16H 57/0417  
165/41

D556,842 S \* 12/2007 Webber ..... D21/694

D562,112 S \* 2/2008 Harrell ..... D8/354

D658,039 S \* 4/2012 Ghatikar ..... D8/354

D691,461 S \* 10/2013 Waugh ..... D8/354

D755,683 S \* 5/2016 Goodlow ..... D12/114

2006/0071131 A1 \* 4/2006 Young ..... B60R 11/0264  
248/200

2007/0137607 A1 \* 6/2007 Ledbetter ..... F01M 5/002  
123/196 AB

2007/0261832 A1 \* 11/2007 Ware ..... F28D 9/005  
165/167

2011/0277707 A1 \* 11/2011 Cockerill ..... F01M 5/002  
123/41.01

2012/0325446 A1 \* 12/2012 Wakamatsu ..... F28F 3/044  
165/167

2013/0043668 A1 \* 2/2013 Allred, III ..... B62J 25/00  
280/291

(Continued)

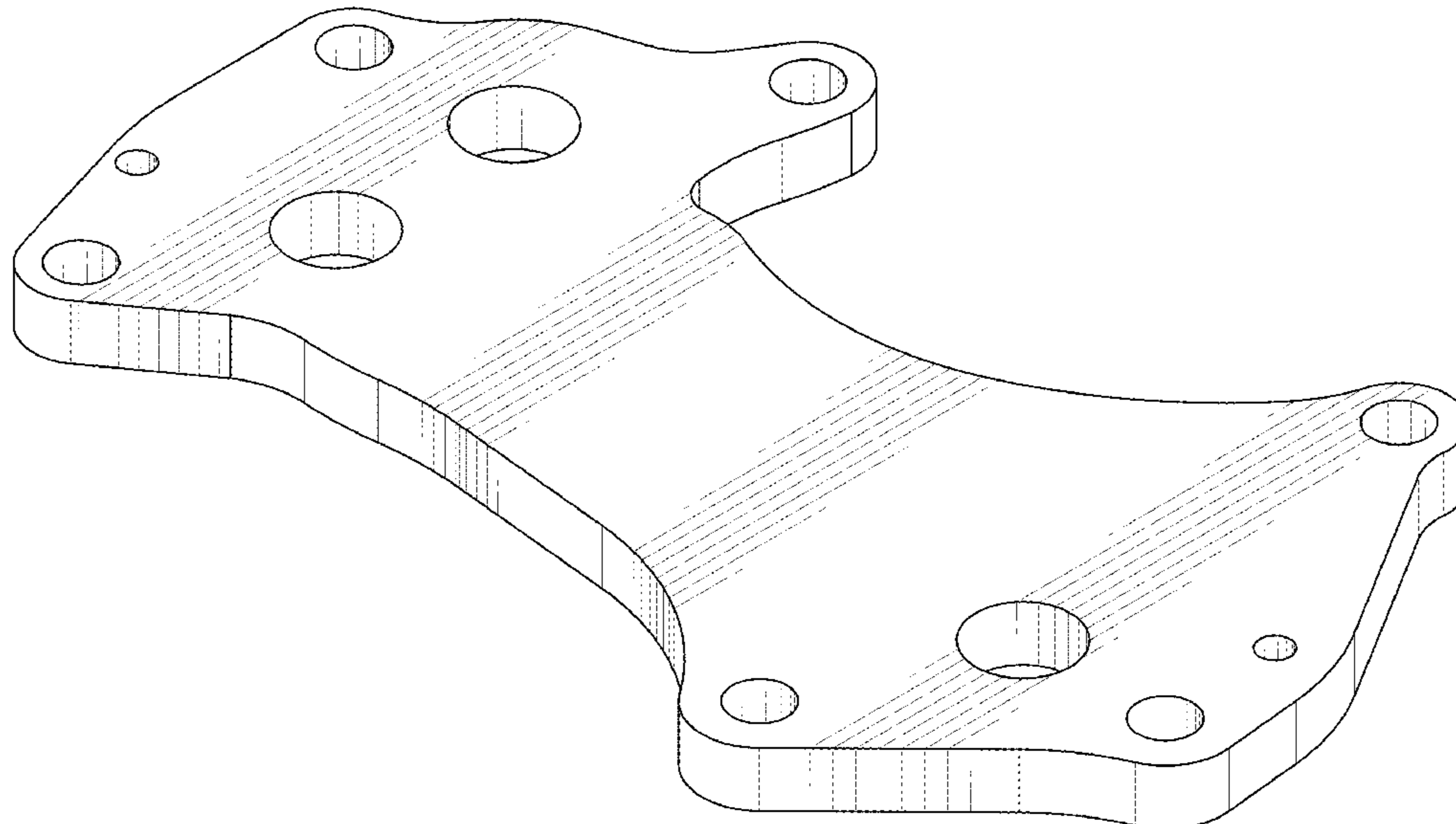
*Primary Examiner* — T. Chase Nelson  
*Assistant Examiner* — Ania Aman  
(74) *Attorney, Agent, or Firm* — Seth Black; Black IP, PLLC

(57) **CLAIM**  
The ornamental design for an oil cooler plate, as shown.

**DESCRIPTION**

FIG. 1 is a perspective view of an oil cooler plate showing our new design;  
FIG. 2 is a front elevational view thereof;  
FIG. 3 is a rear elevational view thereof;  
FIG. 4 is a right side elevational view thereof;  
FIG. 5 is a left side elevational view thereof;  
FIG. 6 is a top plan view thereof; and,  
FIG. 7 is a bottom plan view thereof.

**1 Claim, 5 Drawing Sheets**



(56)

**References Cited**

U.S. PATENT DOCUMENTS

2015/0129164 A1\* 5/2015 Ollier ..... F28F 9/00  
165/67  
2016/0187067 A1\* 6/2016 Kobayashi ..... F28D 9/0093  
165/166  
2016/0199953 A1\* 7/2016 Wakamatsu ..... B23K 1/0012  
165/51  
2017/0030661 A1\* 2/2017 Ariyama ..... F28F 13/06

\* cited by examiner

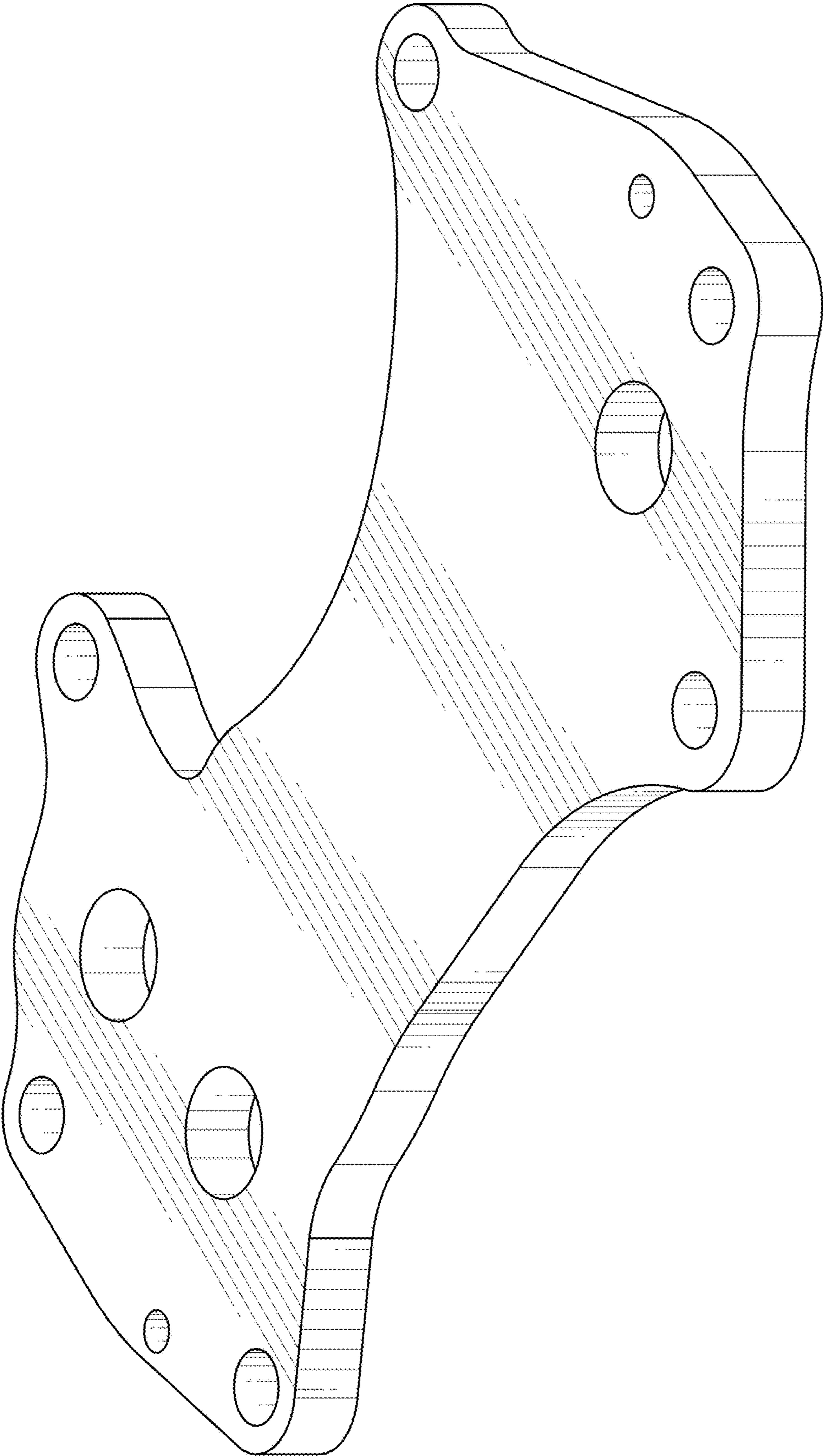


FIG. 1

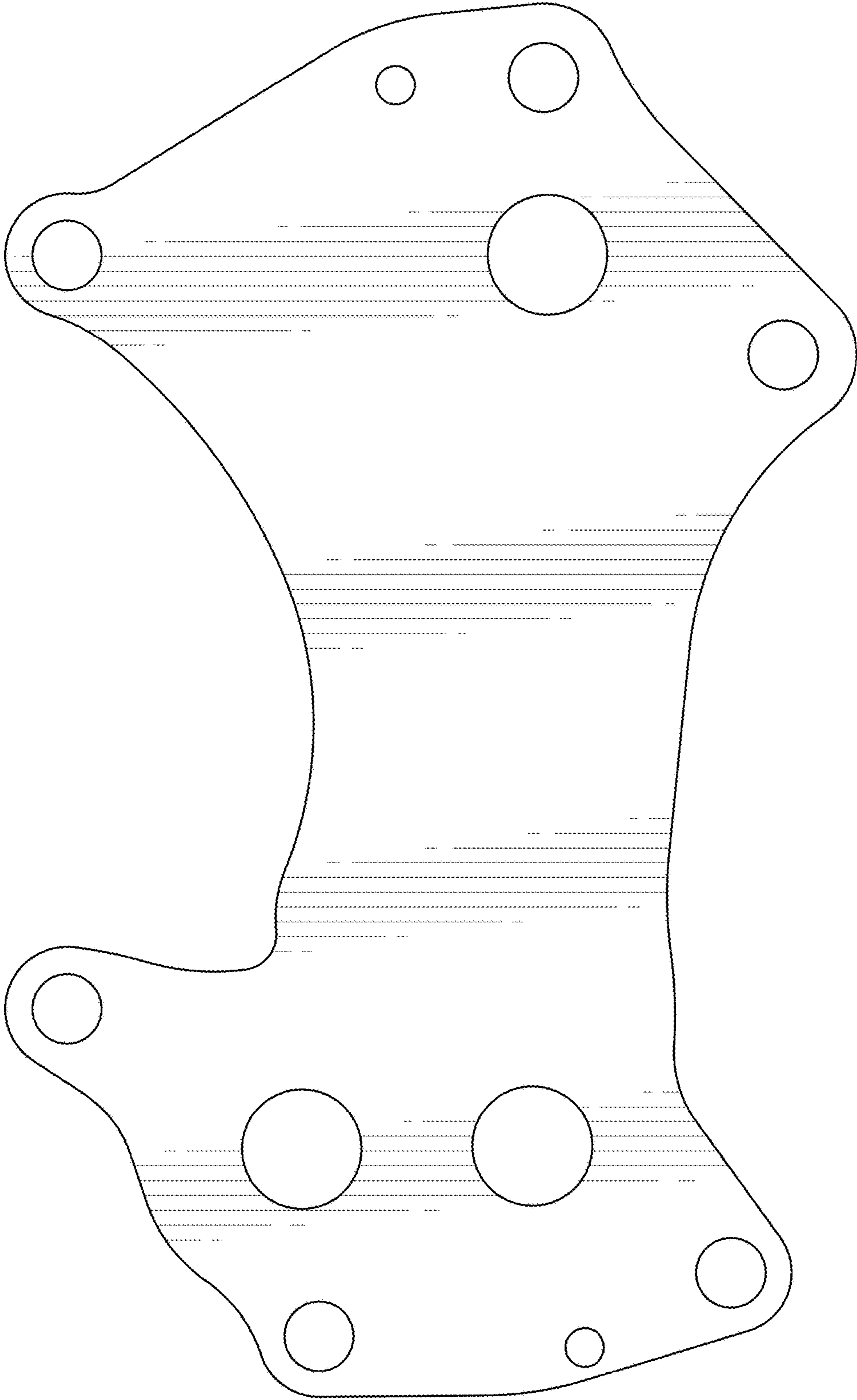


FIG. 2

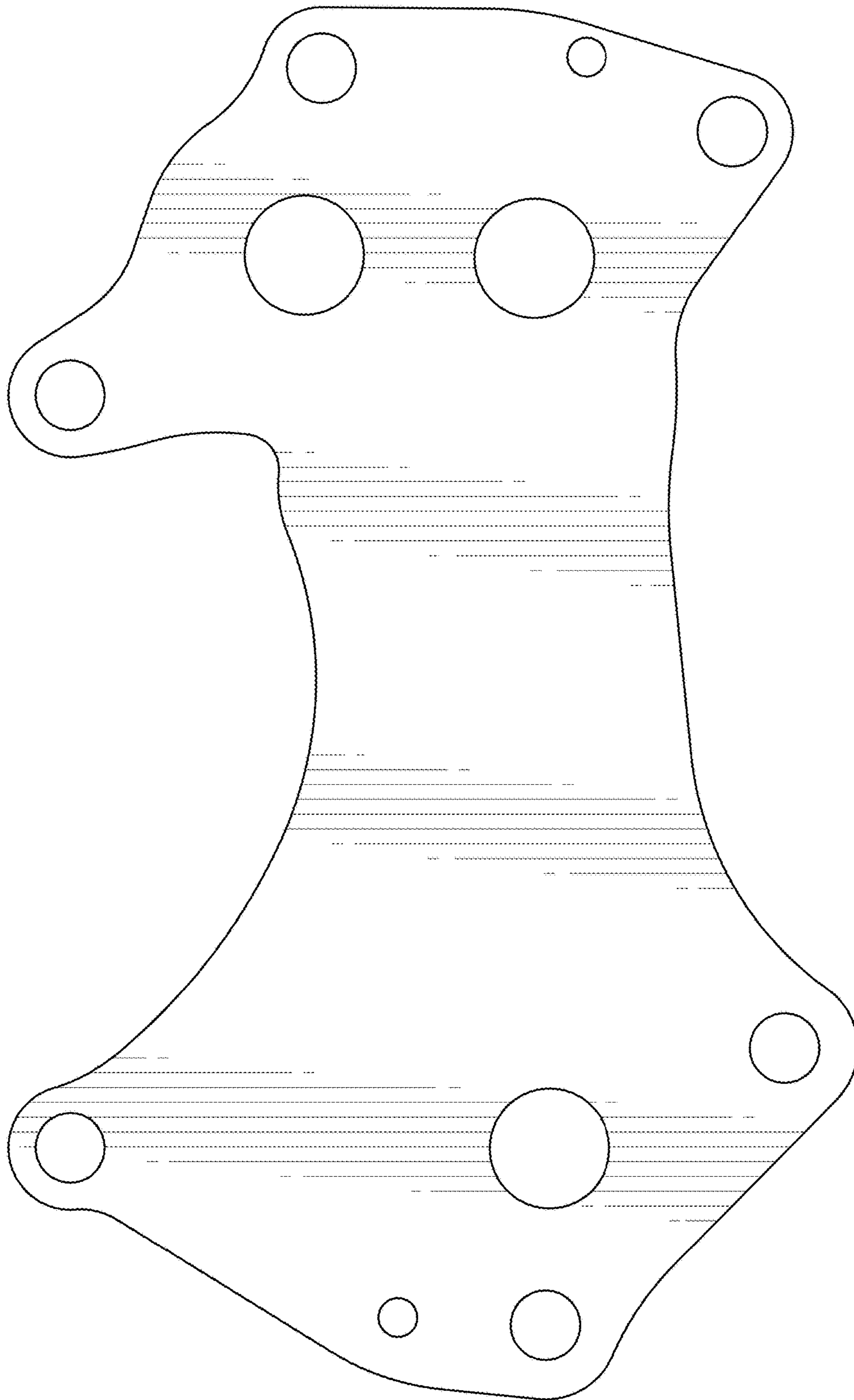
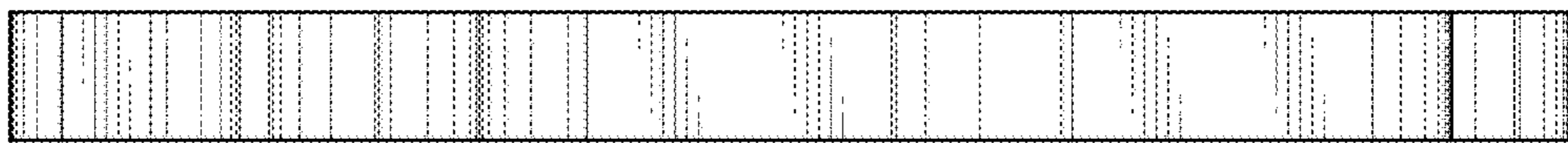


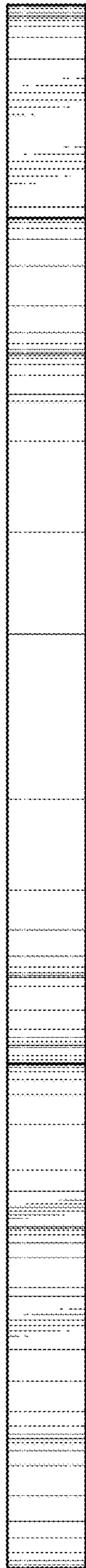
FIG. 3



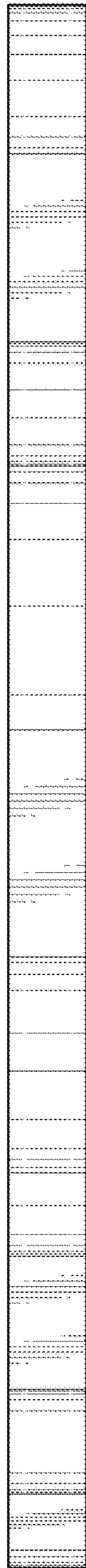
**FIG. 5**



**FIG. 4**



**FIG. 6**



**FIG. 7**