



US00D798906S

(12) **United States Design Patent** (10) **Patent No.:** **US D798,906 S**
Bennett et al. (45) **Date of Patent:** **** Oct. 3, 2017**

- (54) **VEHICLE DIFFERENTIAL COVER**
- (71) Applicant: **Omix-Ada, Inc.**, Suwanee, GA (US)
- (72) Inventors: **Patrick W. Bennett**, Gainesville, GA (US); **Christopher D. Van Buren**, Snellville, GA (US)
- (73) Assignee: **Omix-ADA, Inc.**, Suwanee, GA (US)
- (**) Term: **15 Years**
- (21) Appl. No.: **29/544,307**
- (22) Filed: **Nov. 2, 2015**
- (51) **LOC (10) Cl.** **15-01**
- (52) **U.S. Cl.**
USPC **D15/5**
- (58) **Field of Classification Search**
USPC D15/1-6, 9, 7, 148, 149
CPC F16H 48/00; F16H 48/38; F16H 2048/382; F16H 48/40; F16H 2048/387; F16H 48/22; F16H 48/08; F16H 48/32
See application file for complete search history.

D600,167 S	9/2009	Maguire et al.
D631,799 S	2/2011	Maguire et al.
8,109,174 B2	2/2012	Hilker et al.
8,657,716 B1	2/2014	Whyte et al.
8,684,876 B2	4/2014	Corless et al.
D717,216 S	11/2014	Dunn et al.
D741,913 S	10/2015	Besemer et al.
D743,306 S	11/2015	Clouss
2003/0110885 A1 *	6/2003	Beutler B60K 17/16 74/606 R
2005/0126749 A1 *	6/2005	Matti F16H 57/0412 165/41
2006/0054411 A1 *	3/2006	Fett F16H 57/0412 184/6.22
2006/0103232 A1 *	5/2006	Beutler B03C 1/286 301/137
2008/0020888 A1 *	1/2008	Kearney F16C 25/06 475/231

(Continued)

Primary Examiner — T. Chase Nelson
Assistant Examiner — Ania Aman
(74) *Attorney, Agent, or Firm* — Womble Carlyle Sandridge & Rice LLP

(57) **CLAIM**

The ornamental design for a vehicle differential cover, as shown and described.

DESCRIPTION

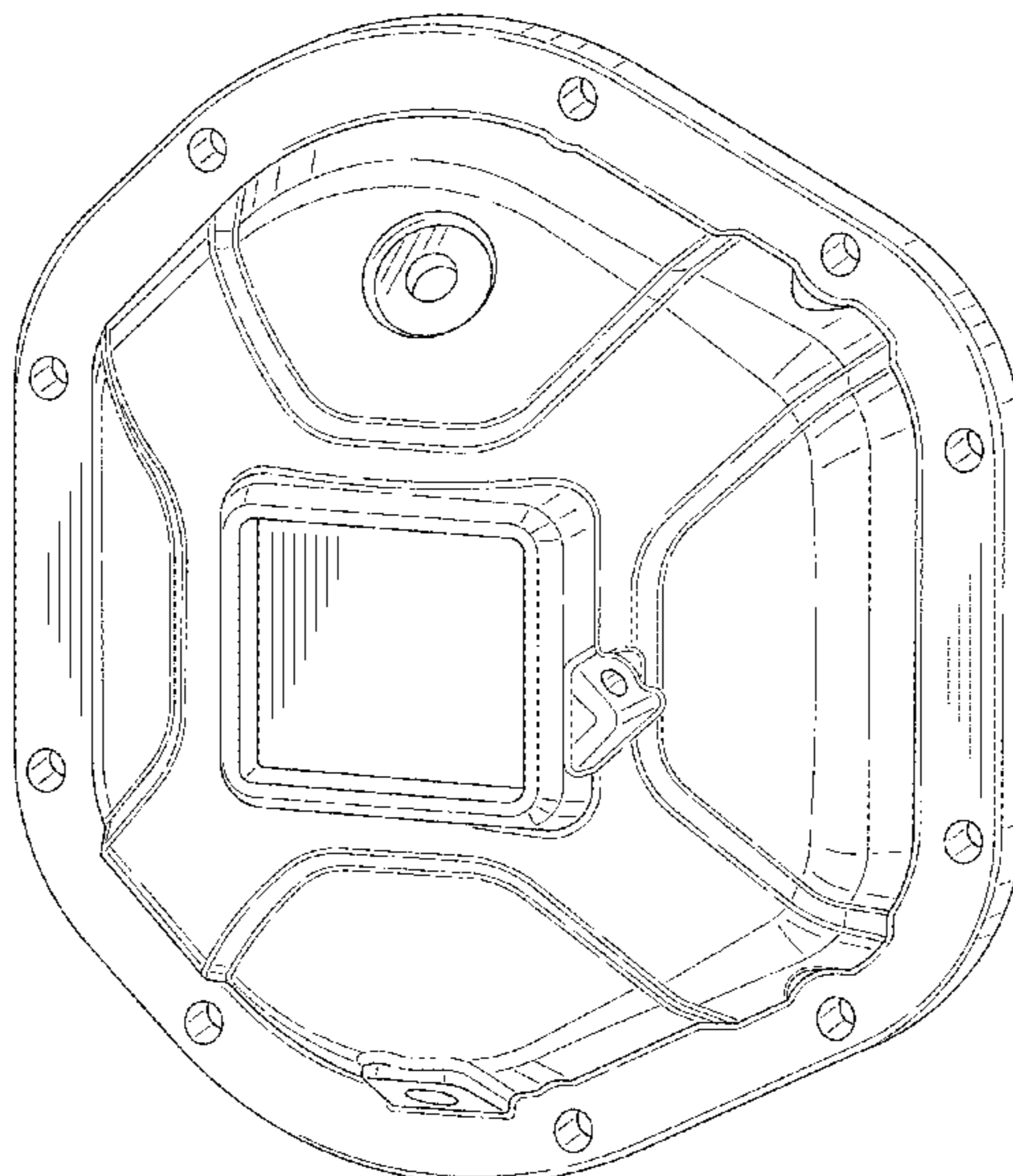
FIG. 1 is a perspective view of a vehicle differential cover showing our new design.
FIG. 2 is a front elevation view thereof.
FIG. 3 is a top plan view thereof.
FIG. 4 is a bottom plan view thereof.
FIG. 5 is a rear elevation view thereof.
FIG. 6 is a right side elevation view thereof; and,
FIG. 7 is a left side elevation view thereof.
The broken lines illustrate portions of the vehicle differential covers that form no part of the claimed design.

1 Claim, 5 Drawing Sheets

(56) **References Cited**

U.S. PATENT DOCUMENTS

3,153,464 A *	10/1964	Nelson B60K 17/16 184/11.2
D220,541 S *	4/1971	Liddiard D15/148
4,261,219 A	4/1981	Suzuki et al.
4,625,581 A	12/1986	Hull
D327,280 S	6/1992	Macomber
D345,127 S	3/1994	Stenglein et al.
5,476,582 A *	12/1995	Camping B01D 35/06 210/167.03
D424,988 S	5/2000	Rothlisberger
6,675,676 B2	1/2004	Beutler
6,796,404 B1	9/2004	Dick et al.
7,004,879 B2	2/2006	Beutler
7,241,246 B2	7/2007	Beutler



(56)

References Cited

U.S. PATENT DOCUMENTS

2009/0023531 A1* 1/2009 Hilker F16H 57/0483
475/160
2009/0071287 A1 3/2009 Paskowitz
2010/0043581 A1* 2/2010 Kincaid F16H 57/027
74/424
2011/0082001 A1* 4/2011 Beutler F16H 57/037
475/161
2011/0179904 A1* 7/2011 Harnden F16H 57/0483
74/607
2011/0212805 A1* 9/2011 Hilker F16H 57/0483
475/160
2015/0292611 A1* 10/2015 Miyamoto F16H 48/24
475/84
2016/0084365 A1* 3/2016 Besemer F16H 48/22
475/86

* cited by examiner

FIG 1

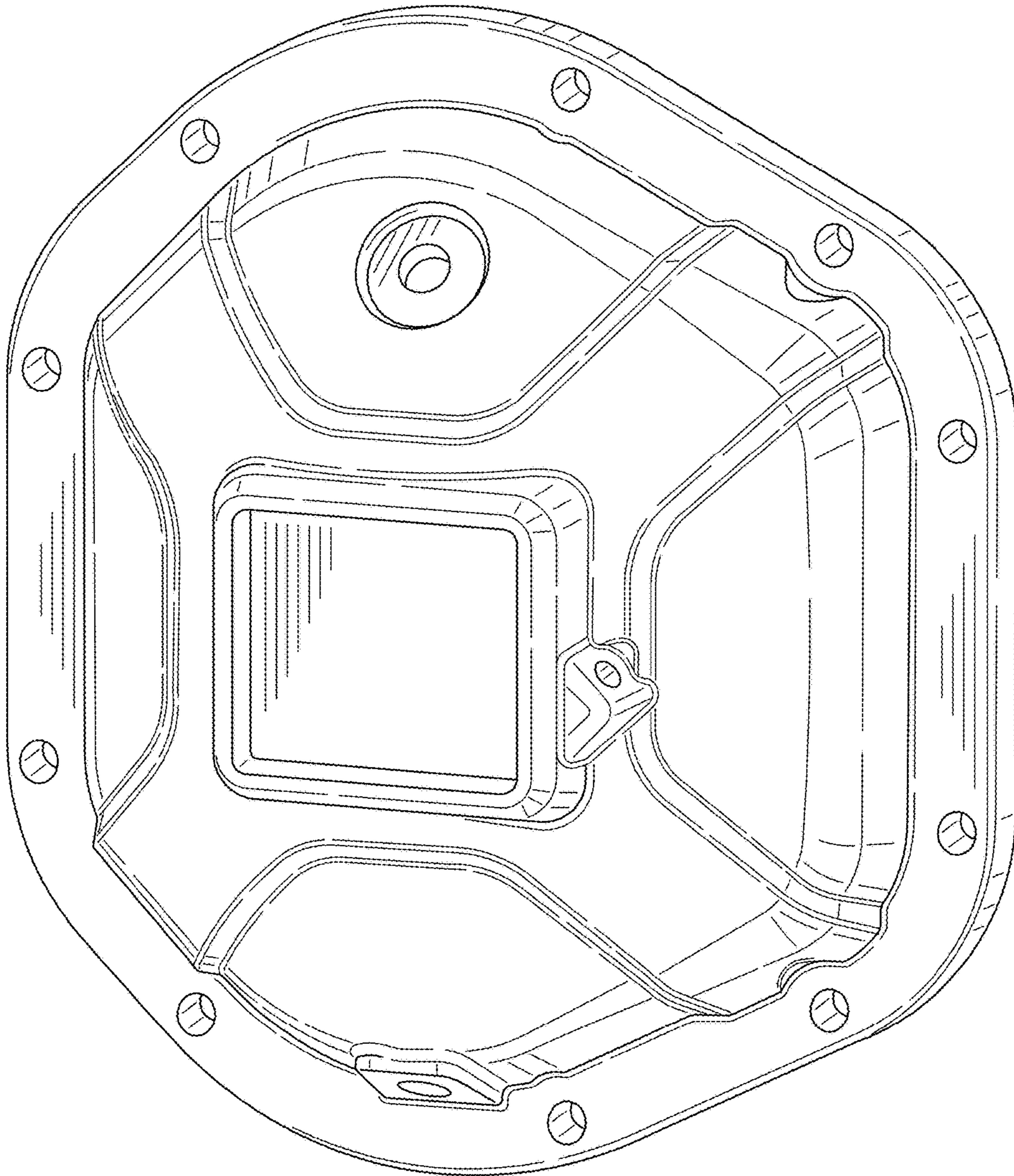


FIG 2

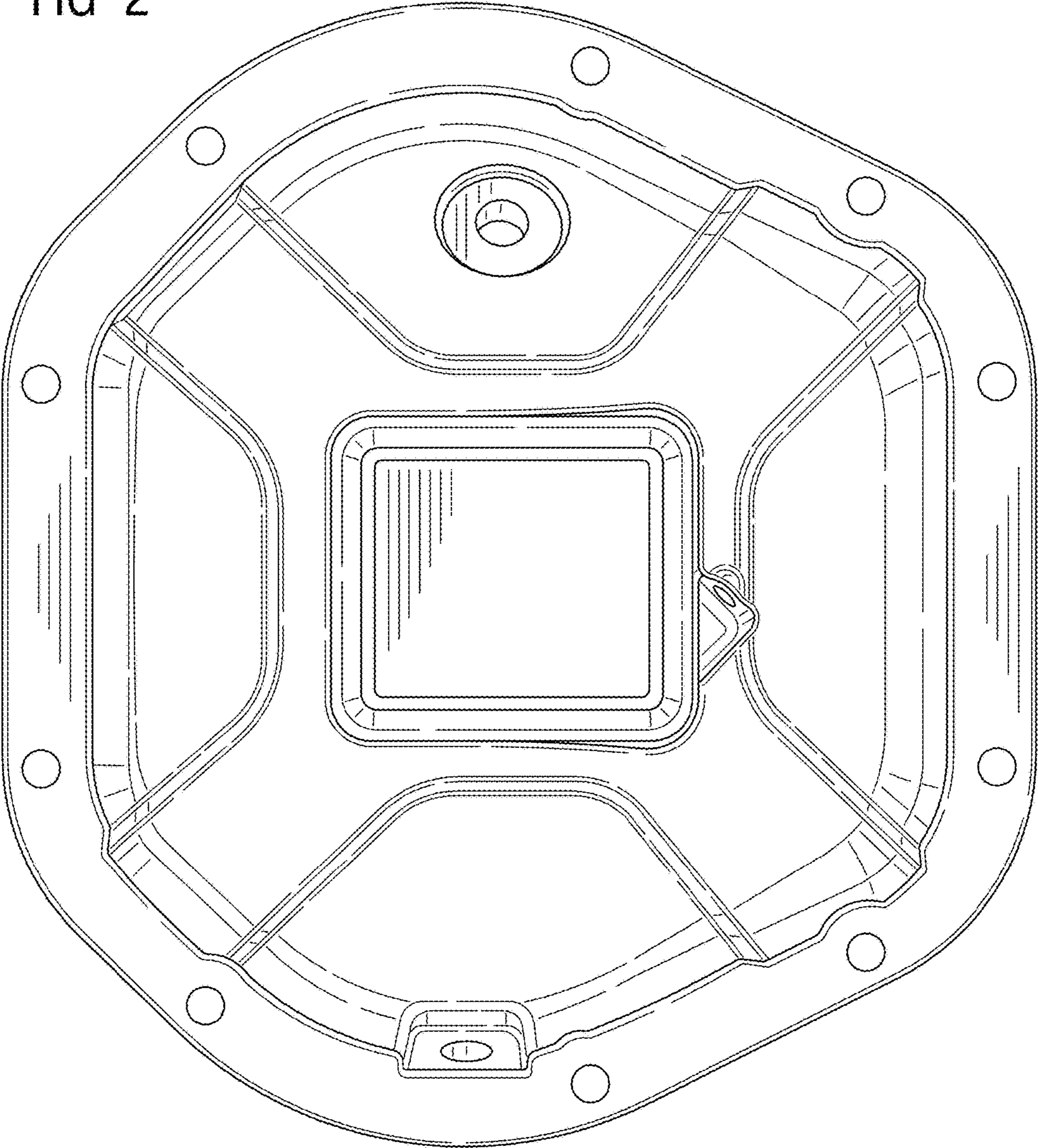


FIG 3

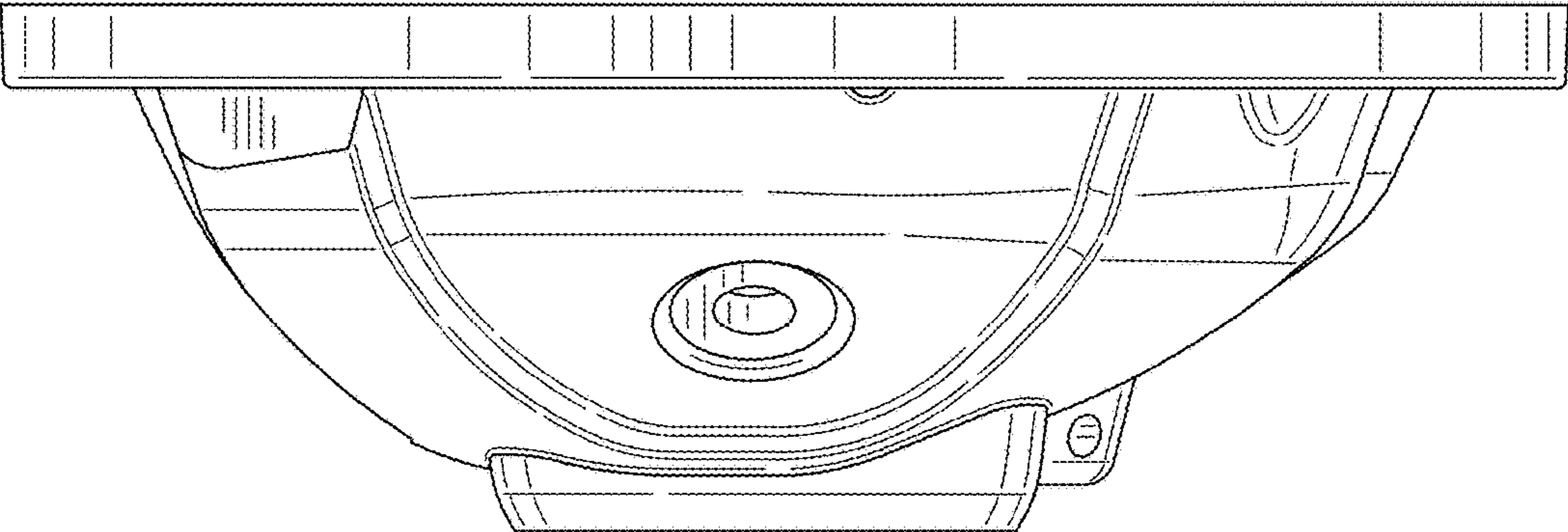


FIG 4

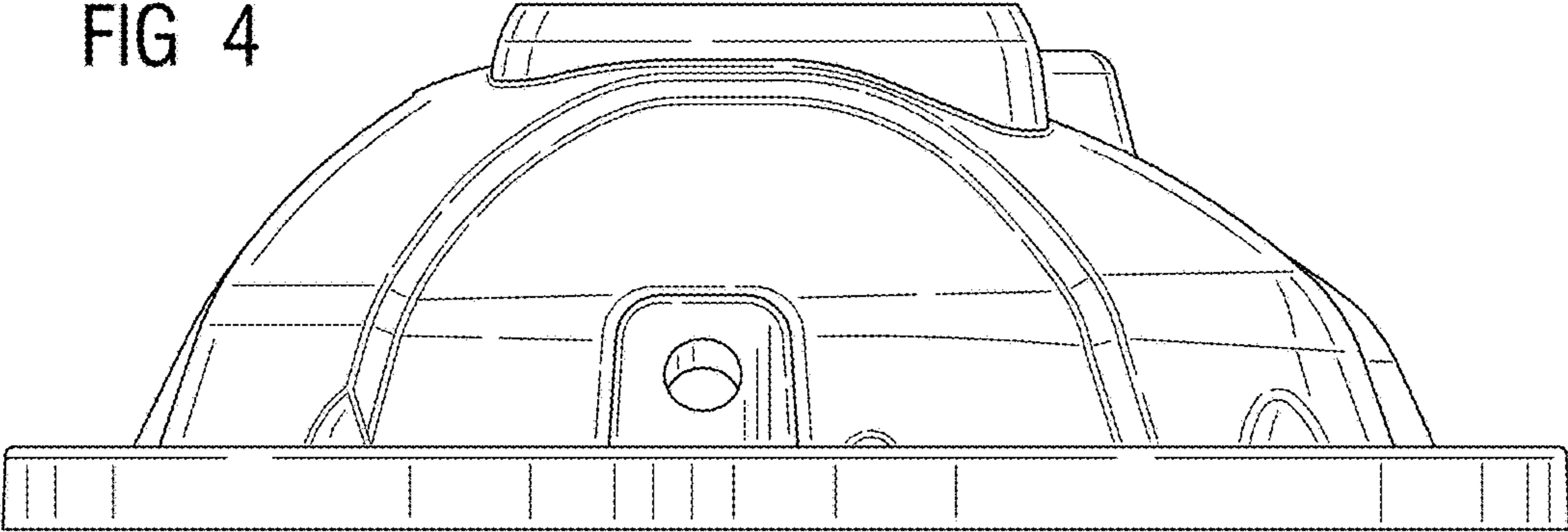


FIG 5

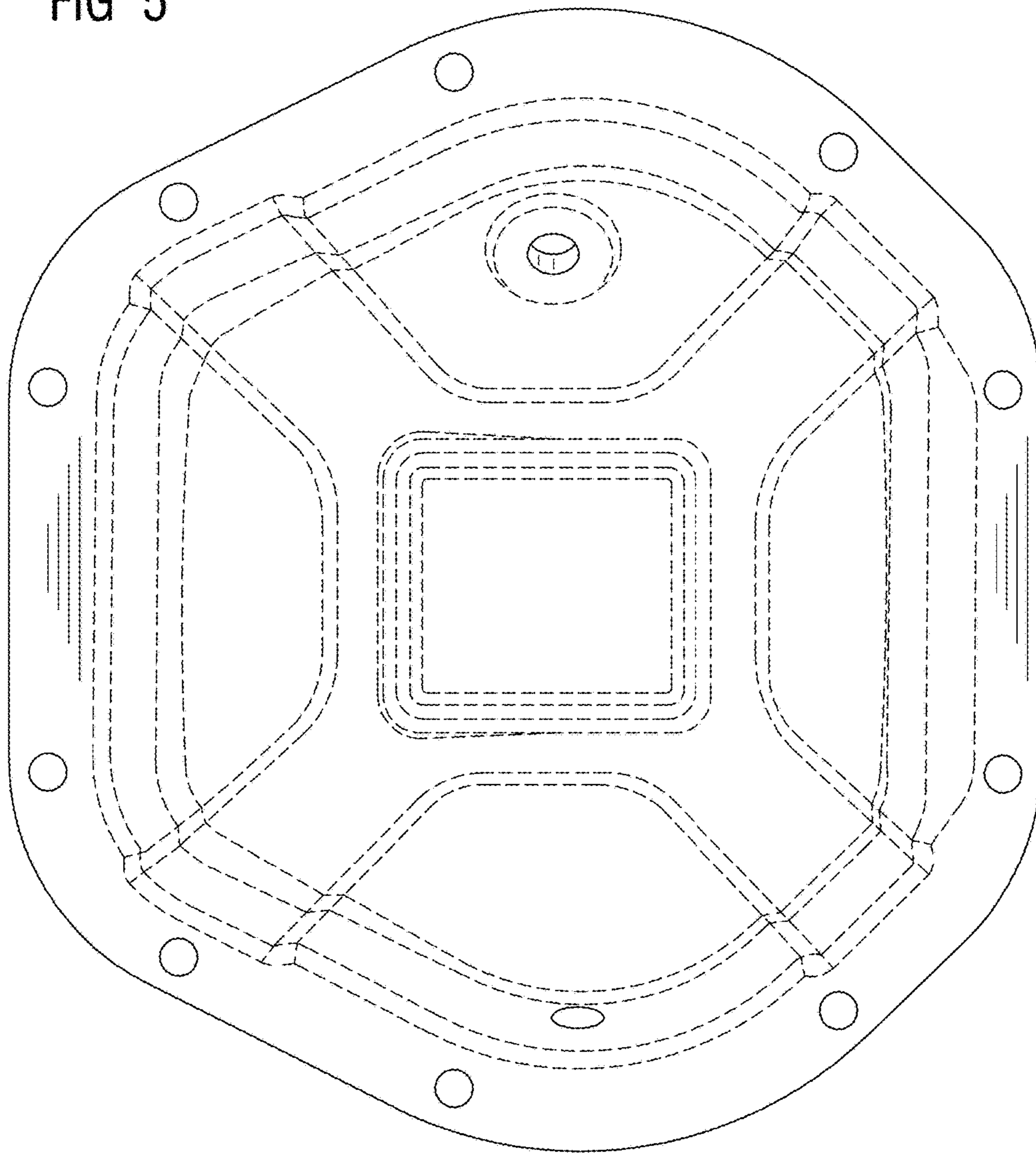


FIG 6

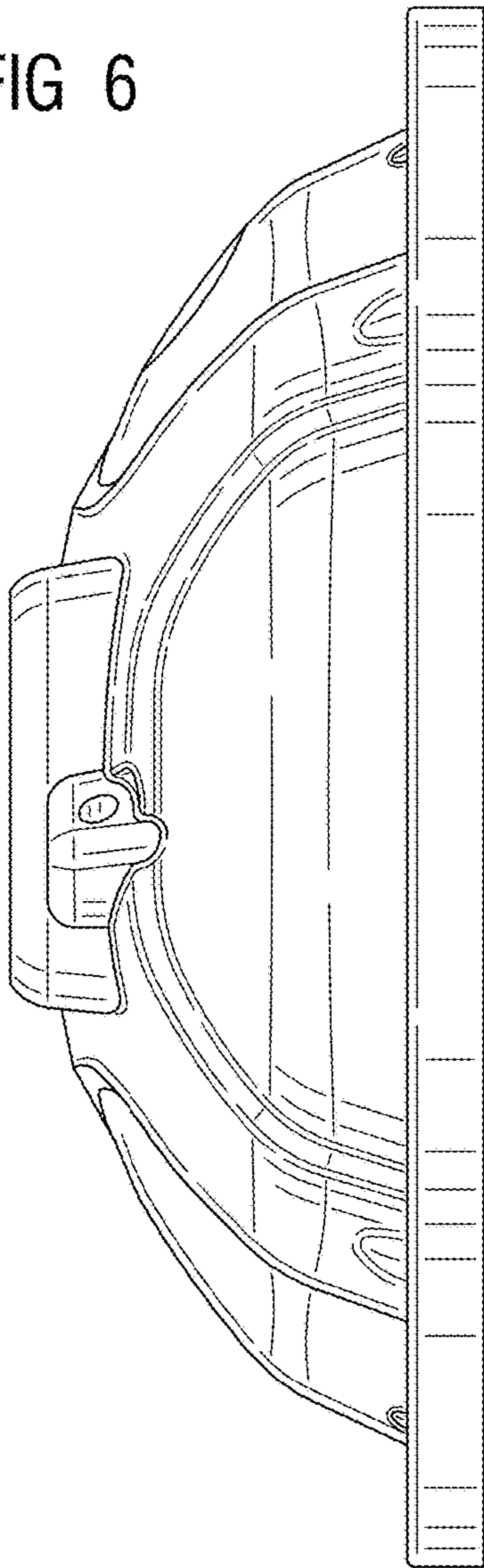


FIG 7

