



US00D798904S

(12) **United States Design Patent**
Jaggers et al.

(10) **Patent No.:** **US D798,904 S**

(45) **Date of Patent:** **** Oct. 3, 2017**

(54) **HOUSING OF AN ELECTRONIC DEVICE**

6,908,387 B2 * 6/2005 Hedrick G07F 17/0014

(71) Applicant: **Advanced Micro Devices, Inc.,**
Sunnyvale, CA (US)

6,955,606 B2 * 10/2005 Tahoe A63F 13/10

463/31

D563,994 S * 3/2008 Liu D14/356

(72) Inventors: **Christopher Jaggers**, Austin, TX (US);
David McAfee, Ausin, TX (US);
Matthew C. Grossman, Austin, TX
(US); **Christopher Cavello**, Austin, TX
(US); **Christopher Janak**, Austin, TX
(US); **Steve Capezza**, Austin, TX (US);
Carlos Santillana, Cedar Park, TX
(US)

(Continued)

Primary Examiner — Prabhakar G Deshmukh

(74) *Attorney, Agent, or Firm* — Faegre Baker Daniels
LLP

(73) Assignee: **Advanced Micro Devices, Inc.,**
Sunnyvale, CA (US)

(57) **CLAIM**

The ornamental design for a housing of an electronic device,
as shown and described.

(**) Term: **15 Years**

DESCRIPTION

(21) Appl. No.: **29/548,331**

(22) Filed: **Dec. 11, 2015**

(51) **LOC (10) Cl.** **14-03**

(52) **U.S. Cl.**
USPC **D14/496; D14/203.3**

(58) **Field of Classification Search**
USPC D14/496, 401, 435, 474, 483, 217, 137,
D14/138, 160, 168, 356, 203.1–203.8,
D14/507; 345/156, 169, 173–179, 905;
715/727–729, 864; 710/1, 5, 8; 713/1,
713/600; 455/1.1, 1.7, 73, 344–347, 93,
455/95, 3.01–3.06, 550.1, 573.1;
370/342–344; 369/1, 2, 6–12;
463/43–47; 273/148 B

CPC A63F 9/22; A63F 9/24; A63F 13/00; A63F
13/12; G09G 5/00; G09G 5/12

See application file for complete search history.

(56) **References Cited**

U.S. PATENT DOCUMENTS

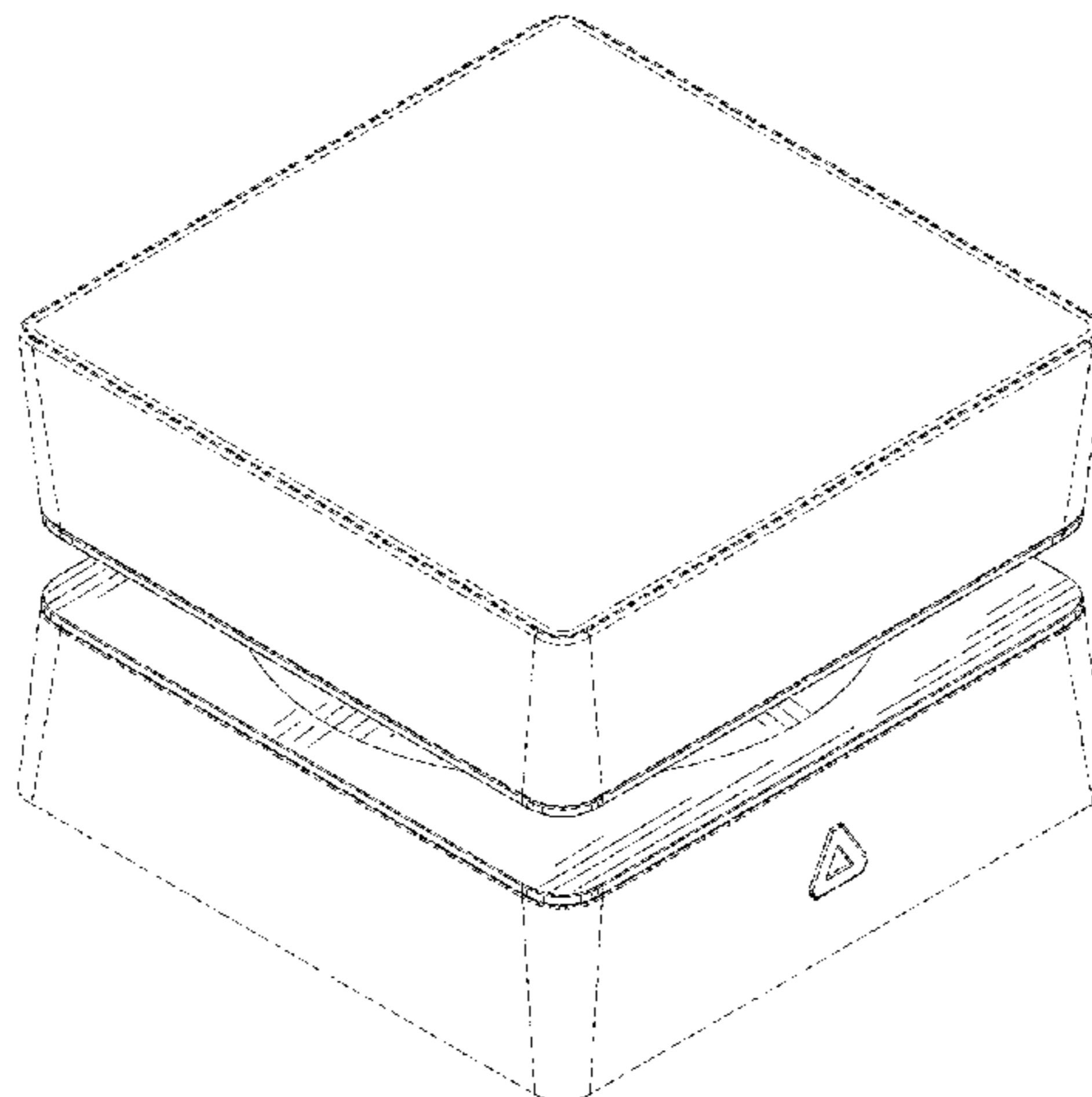
5,914,707 A * 6/1999 Kono G06K 19/08
345/173

6,565,444 B2 * 5/2003 Nagata G06F 1/20
361/695

FIG. 1 is a top perspective view of a housing of an electronic device showing our new design;
FIG. 2 is a bottom perspective view thereof;
FIG. 3 is a front elevational view thereof;
FIG. 4 is a rear elevational view thereof;
FIG. 5 is a first side elevational view thereof;
FIG. 6 is a left side elevational view thereof;
FIG. 7 is a top plan view thereof;
FIG. 8 is a bottom plan view thereof;
FIG. 9 is a top perspective view of a second embodiment of a housing of an electronic device;
FIG. 10 is a bottom perspective view of FIG. 9;
FIG. 11 is a front elevational view of FIG. 9;
FIG. 12 is a rear elevational view of FIG. 9;
FIG. 13 is a first side elevational view of FIG. 9;
FIG. 14 is a left side elevational view of FIG. 9;
FIG. 15 is a top plan view of FIG. 9;
FIG. 16 is a bottom plan view of FIG. 9;
FIG. 17 is a perspective view of the bottom portion of FIG. 9; and,
FIG. 18 is a top plan view of FIG. 17.

The broken lines illustrate unclaimed portions and form no part of the claimed design.

1 Claim, 14 Drawing Sheets



(56)

References Cited

U.S. PATENT DOCUMENTS

D575,801 S	*	8/2008	Kusano	D14/496
D601,583 S	*	10/2009	Andre	D14/496
D615,555 S	*	5/2010	Ho	D14/203.1
D650,394 S	*	12/2011	Seoc	D14/496
D668,143 S	*	10/2012	Akana	D14/496
D727,360 S	*	4/2015	Peng	D14/203.1
D747,356 S	*	1/2016	Jou	D14/203.1
D765,140 S	*	8/2016	Peng	D14/496

* cited by examiner

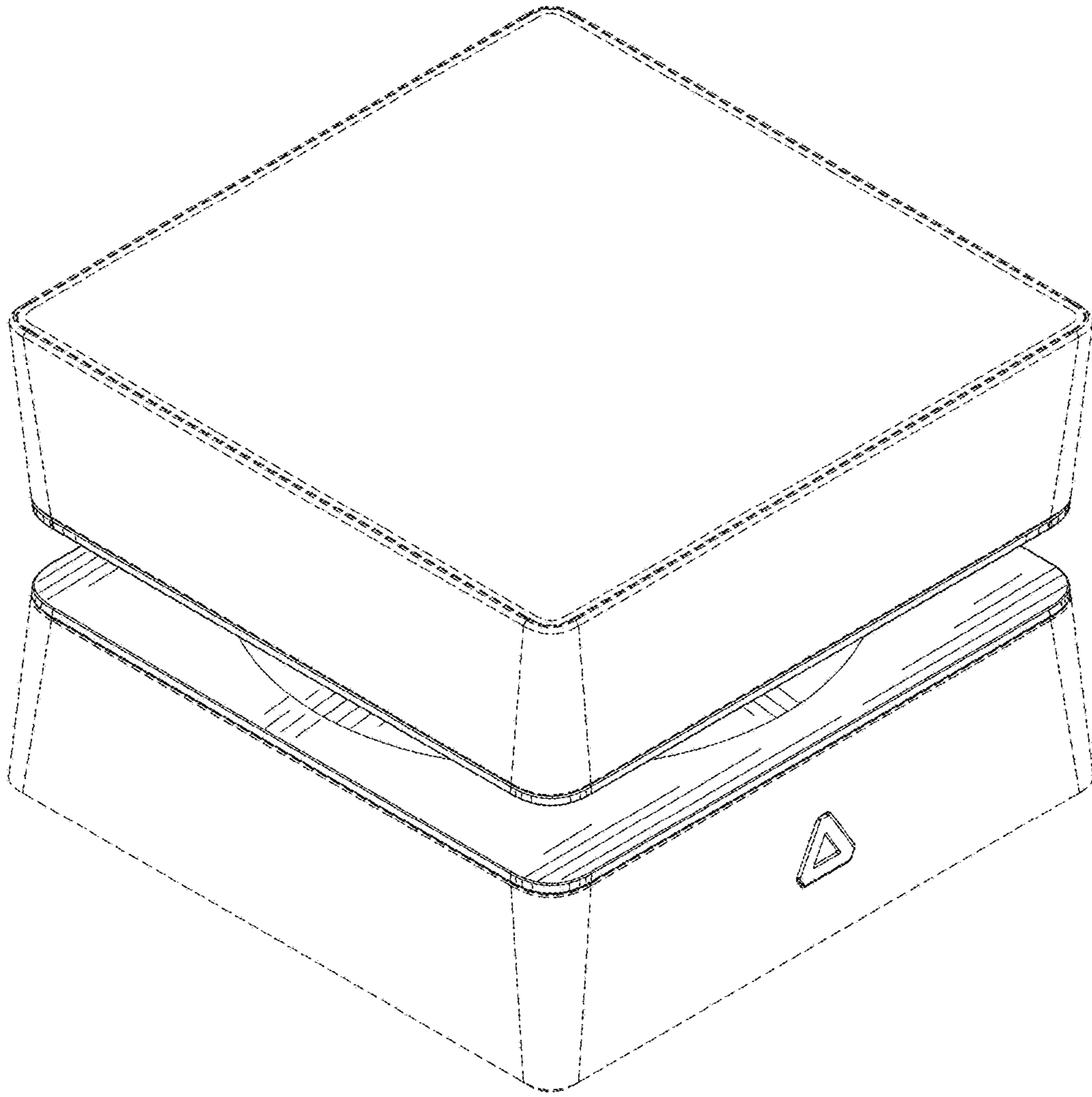


FIG. 1

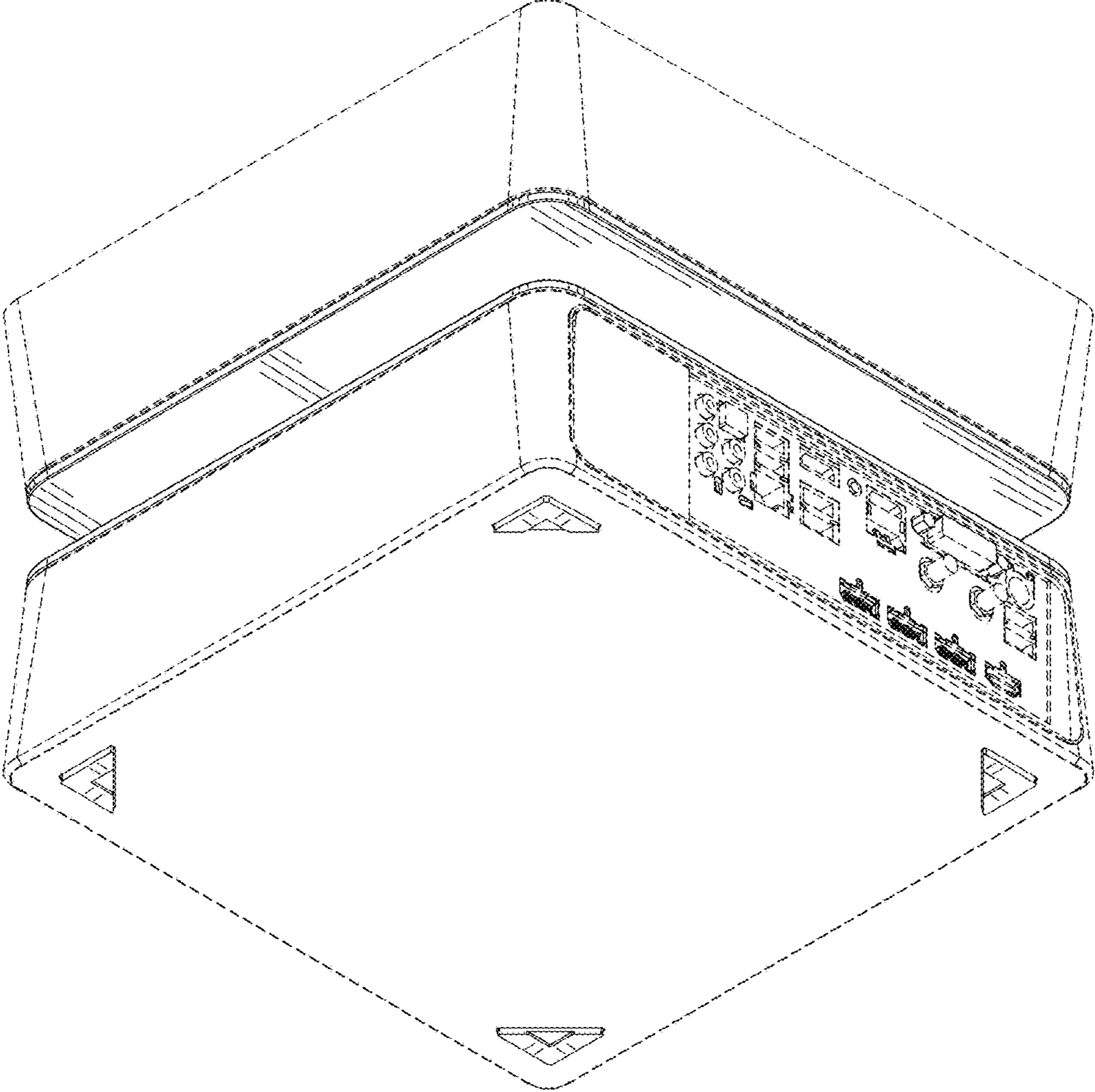


FIG. 2

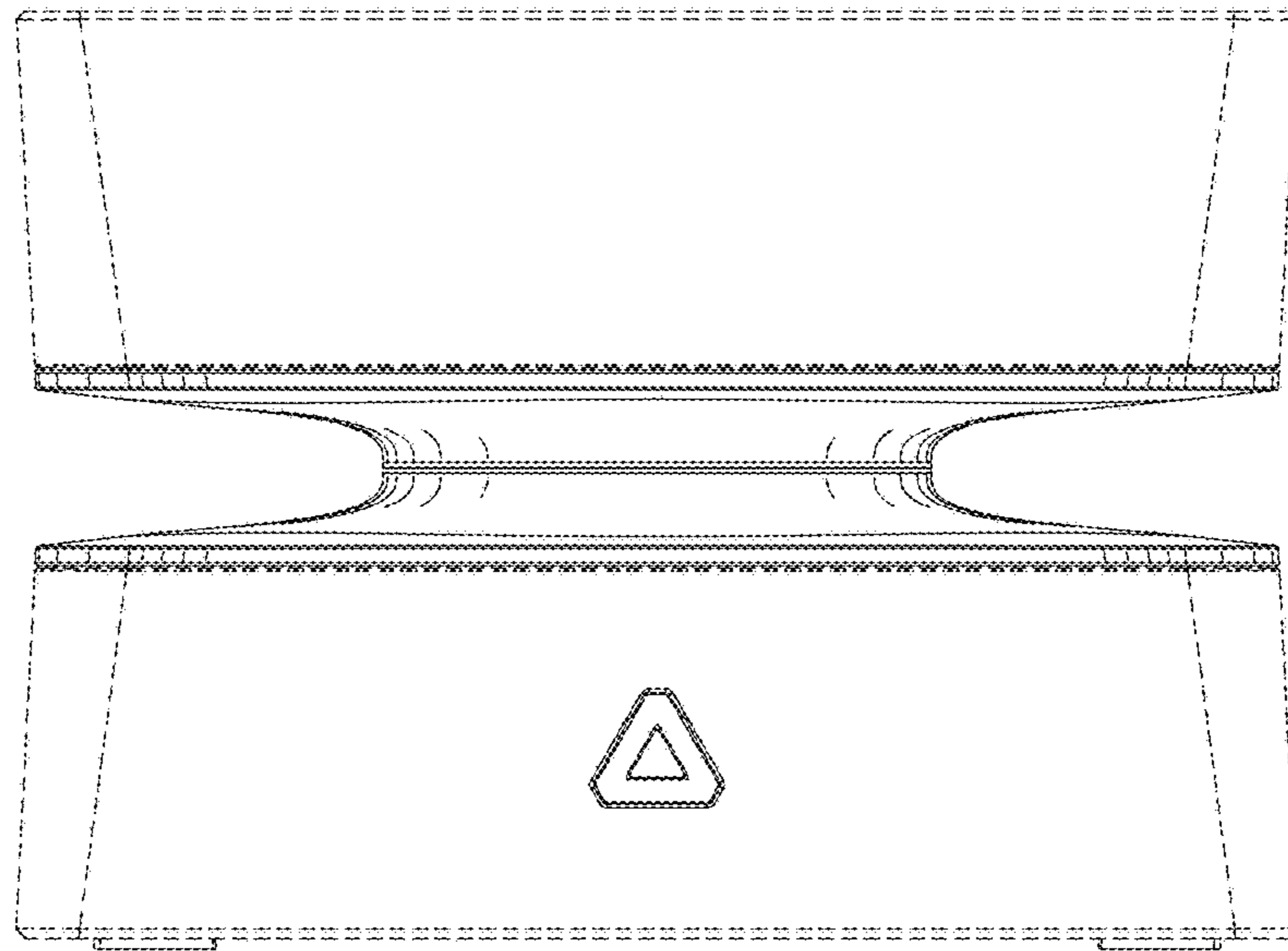


FIG. 3

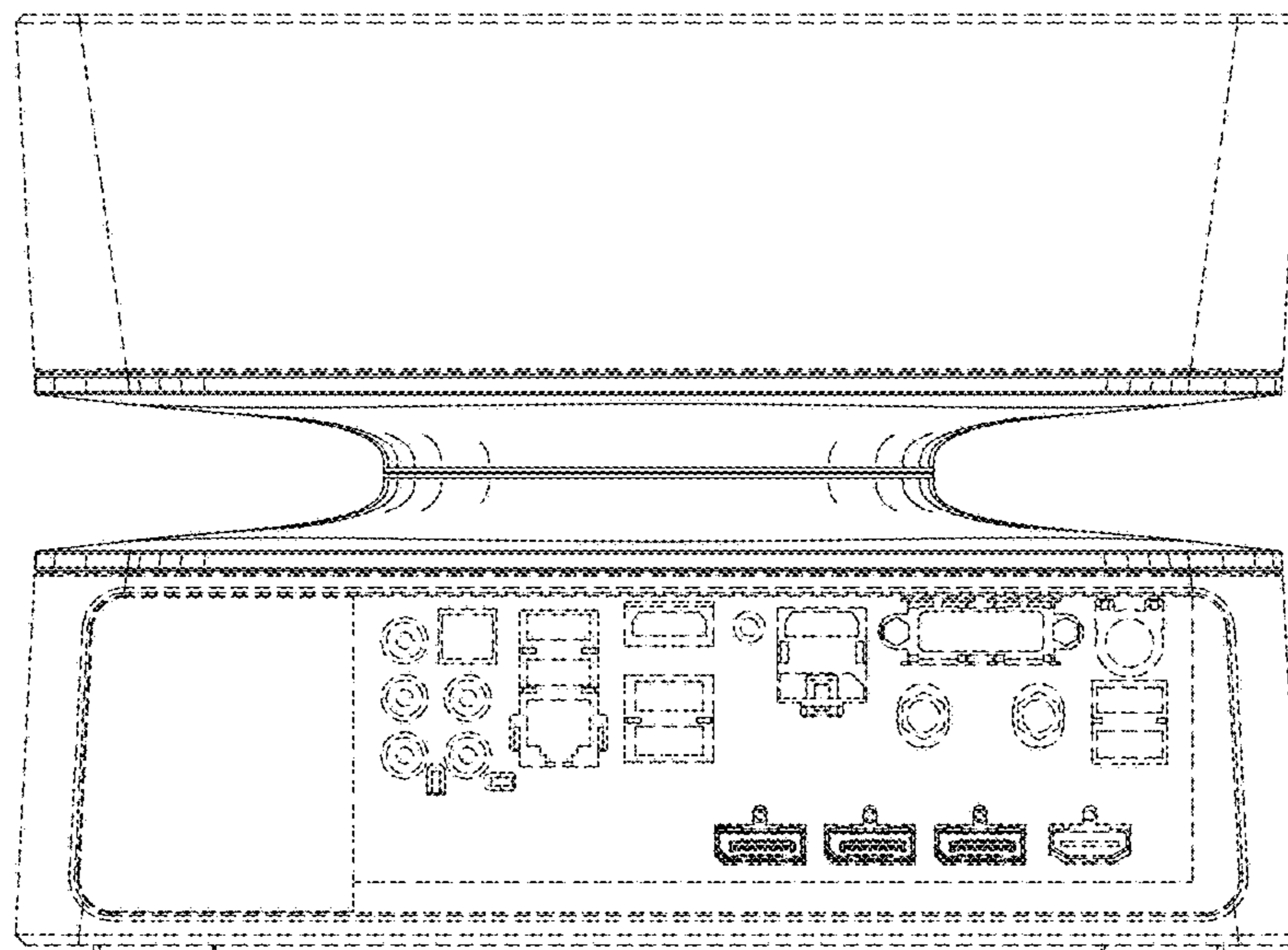


FIG. 4

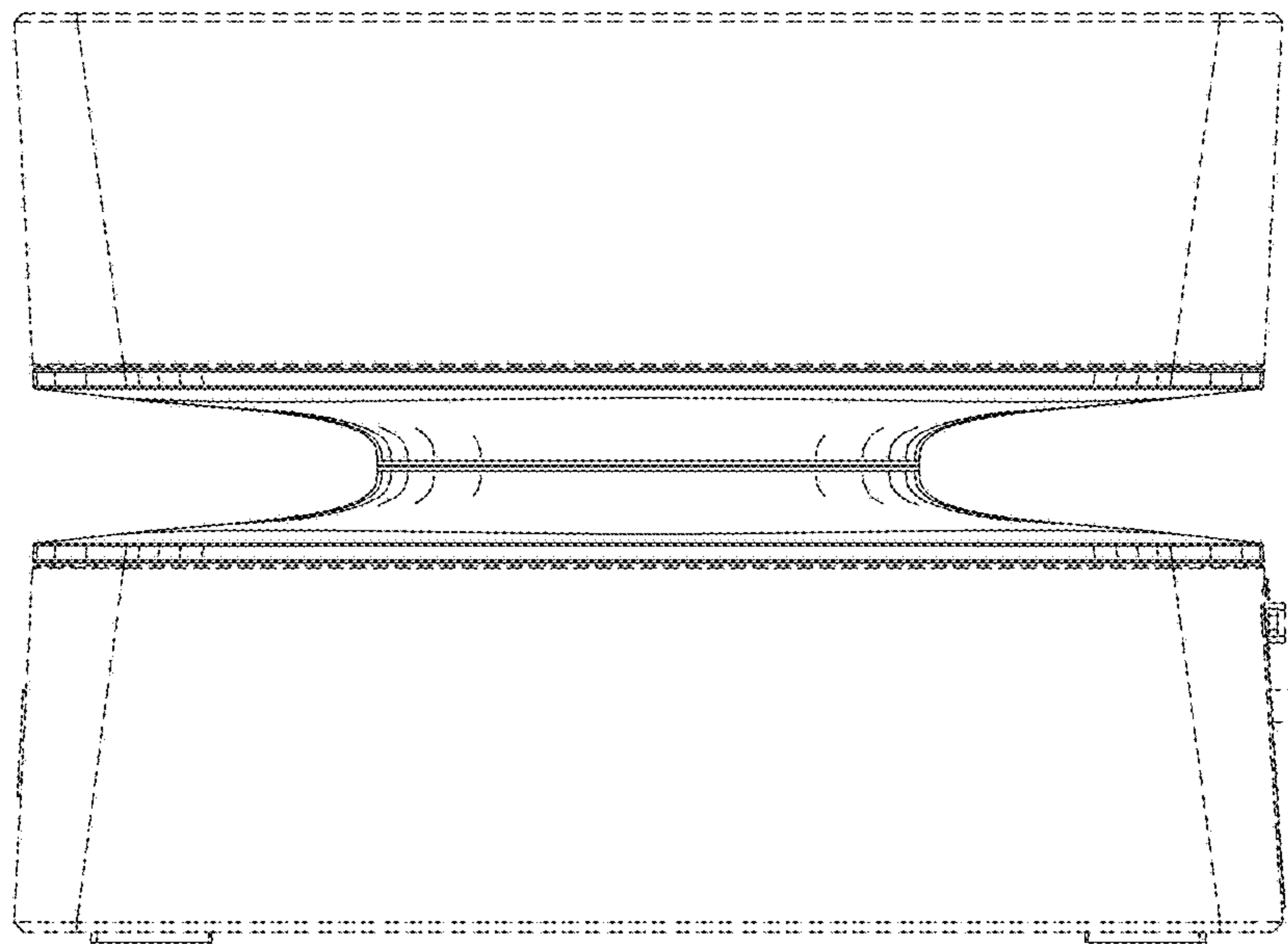


FIG. 5

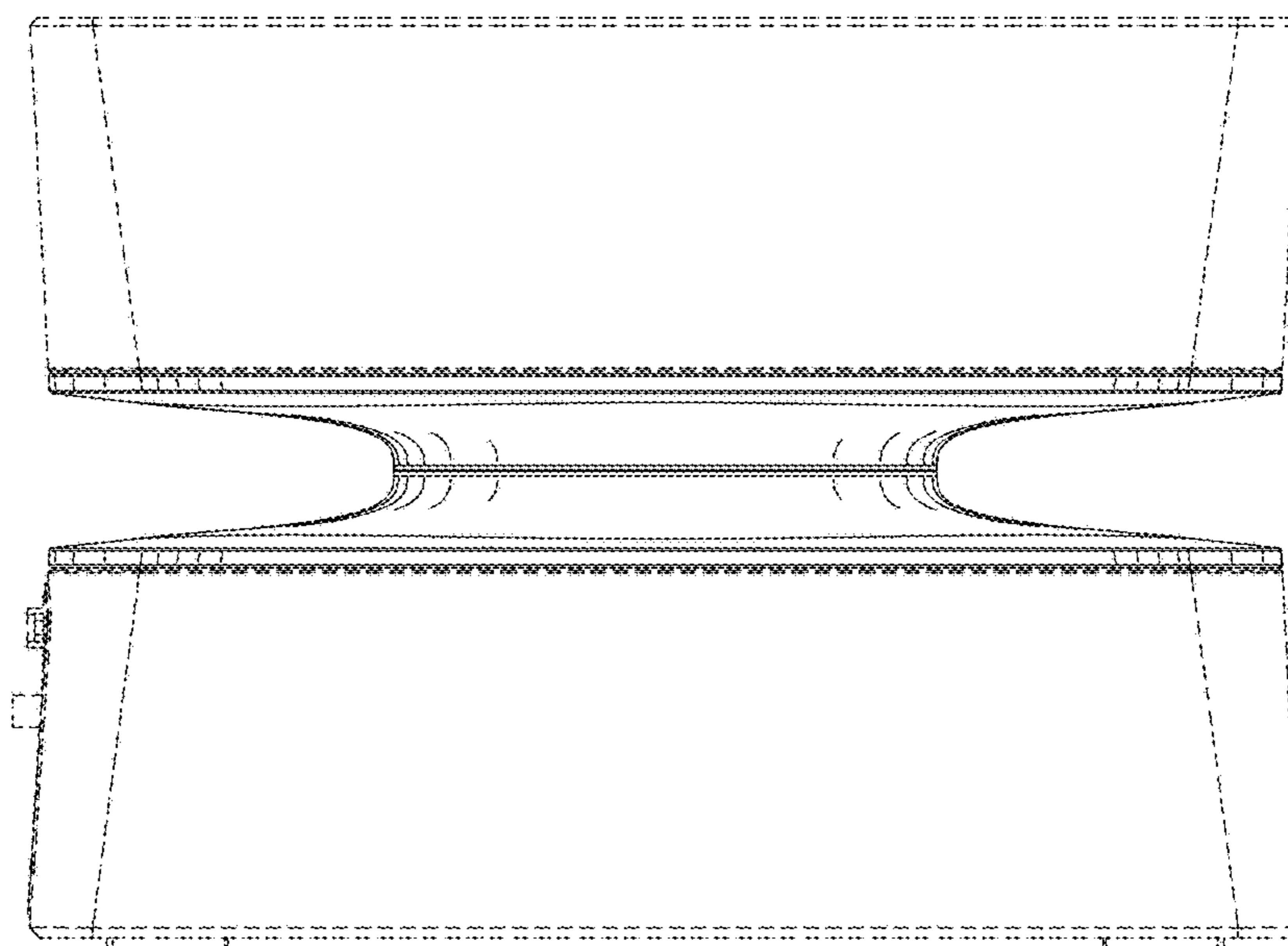


FIG. 6

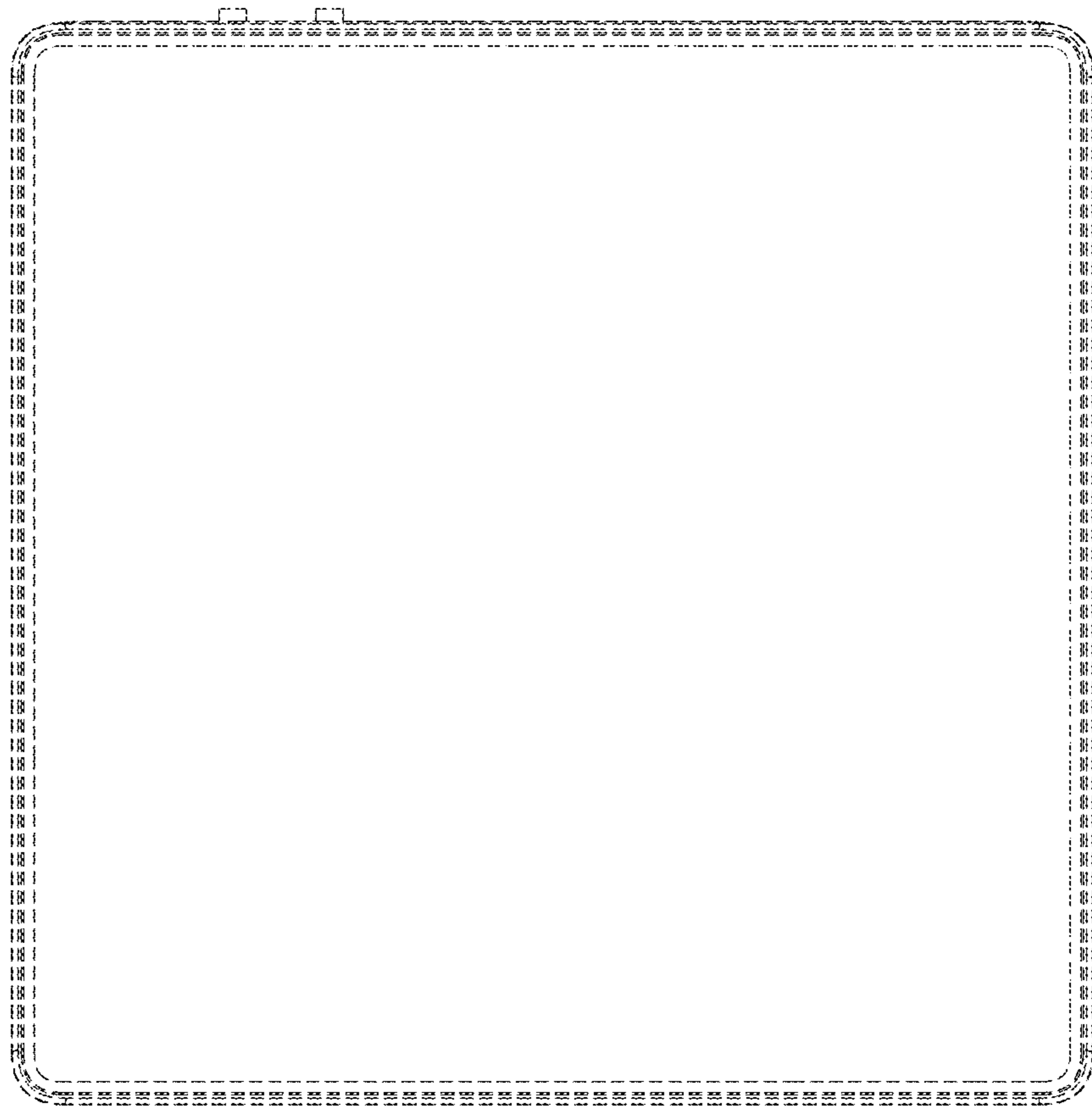


FIG. 7

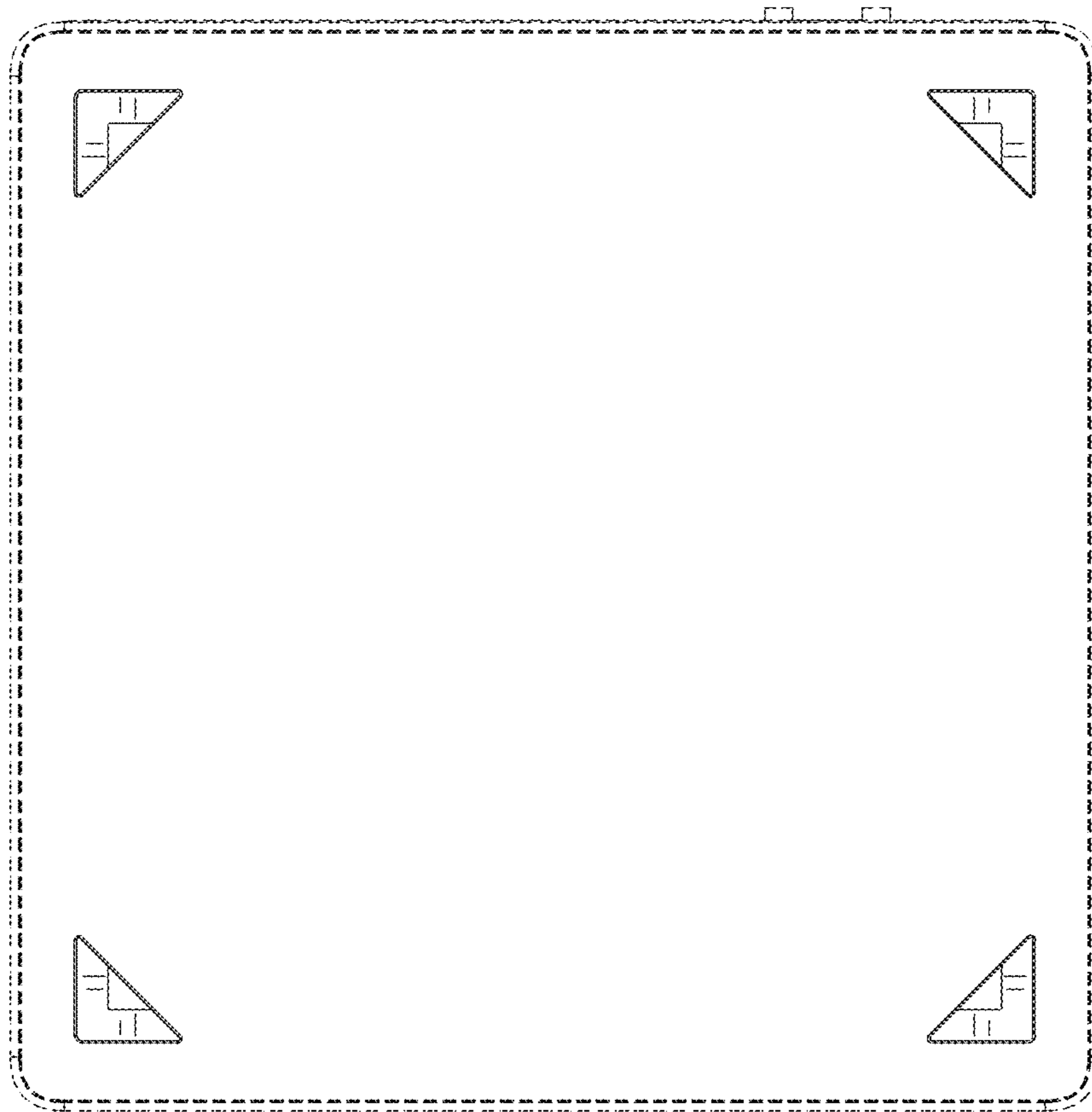


FIG. 8

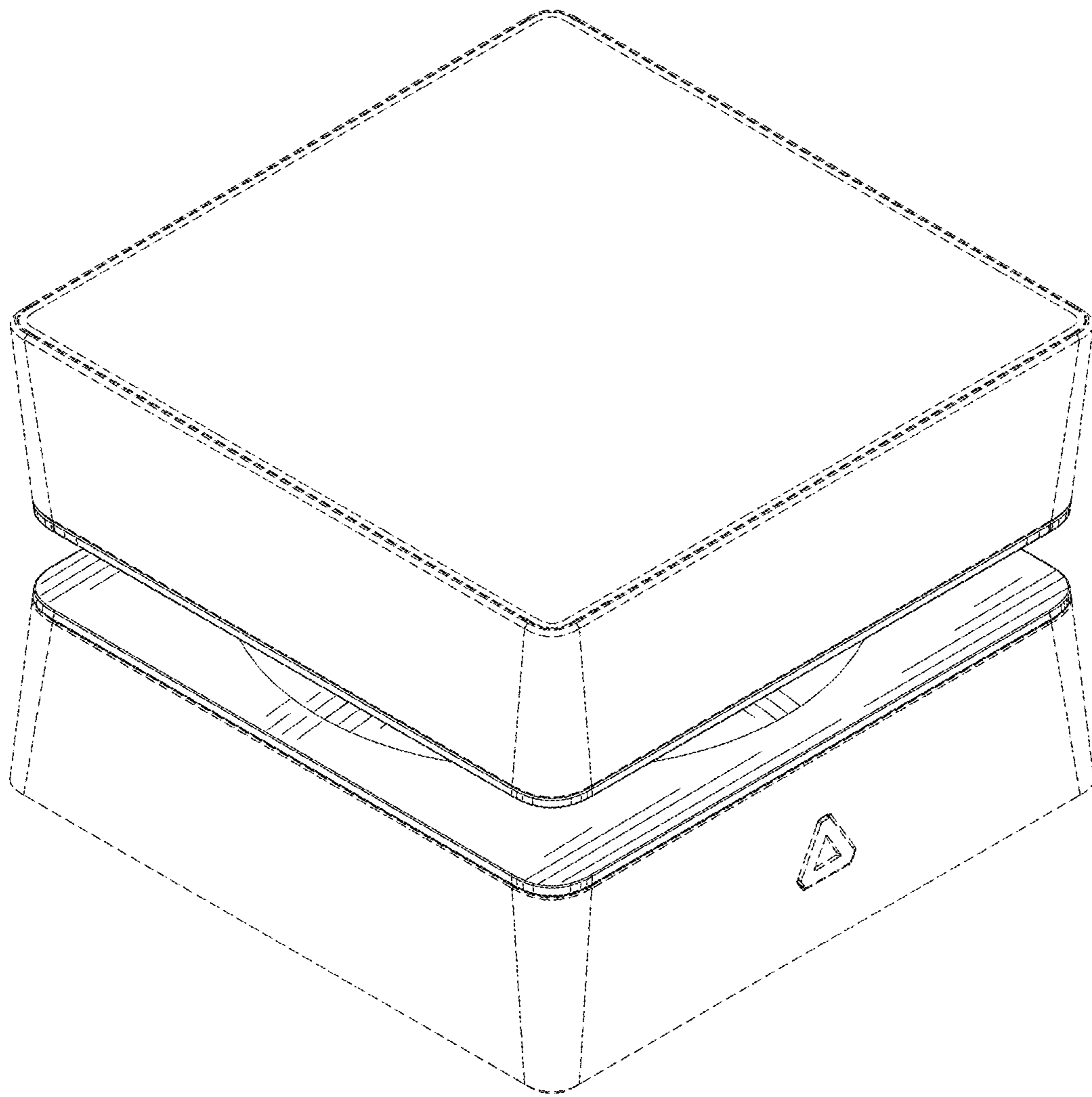


FIG. 9

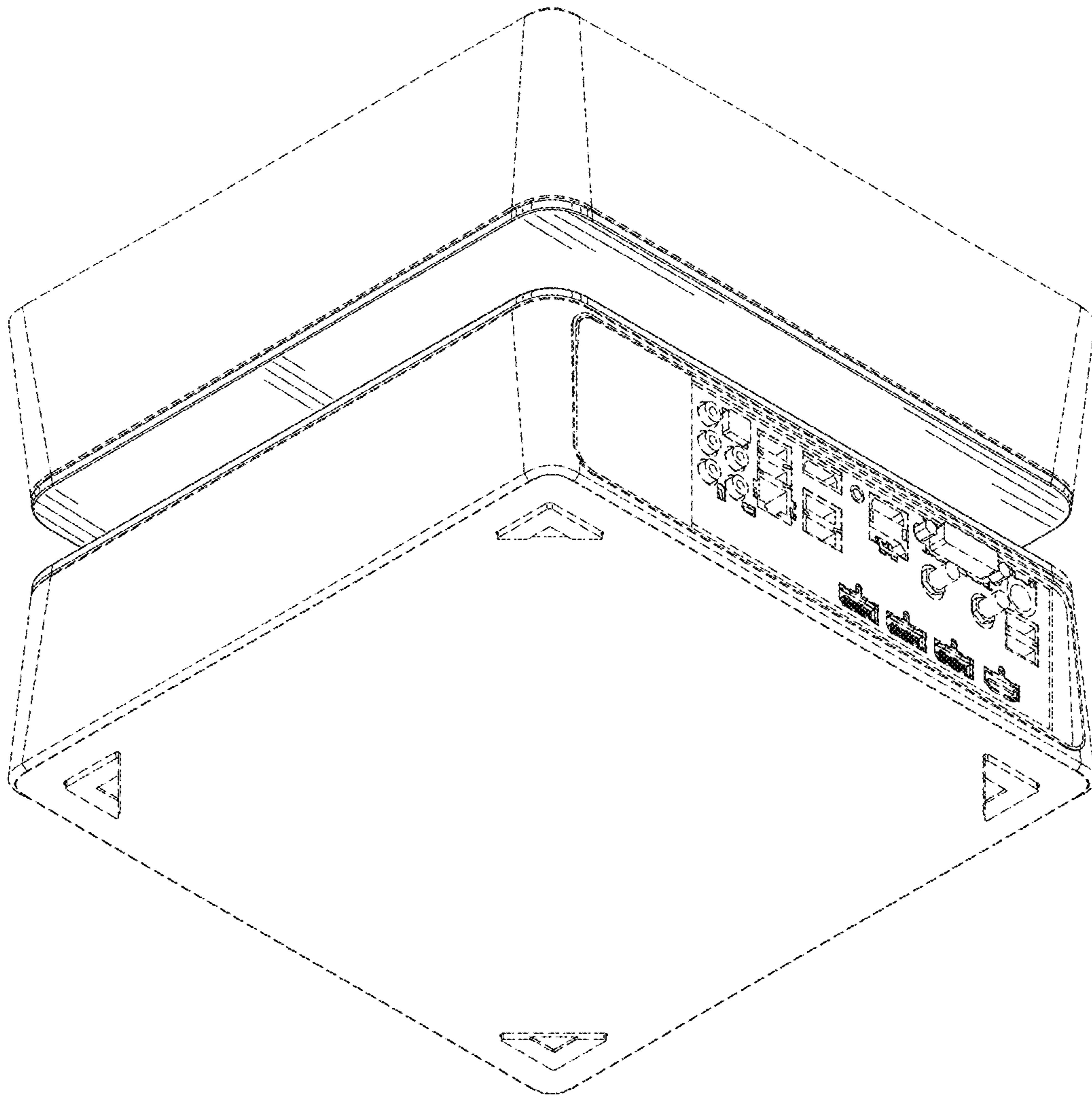


FIG. 10

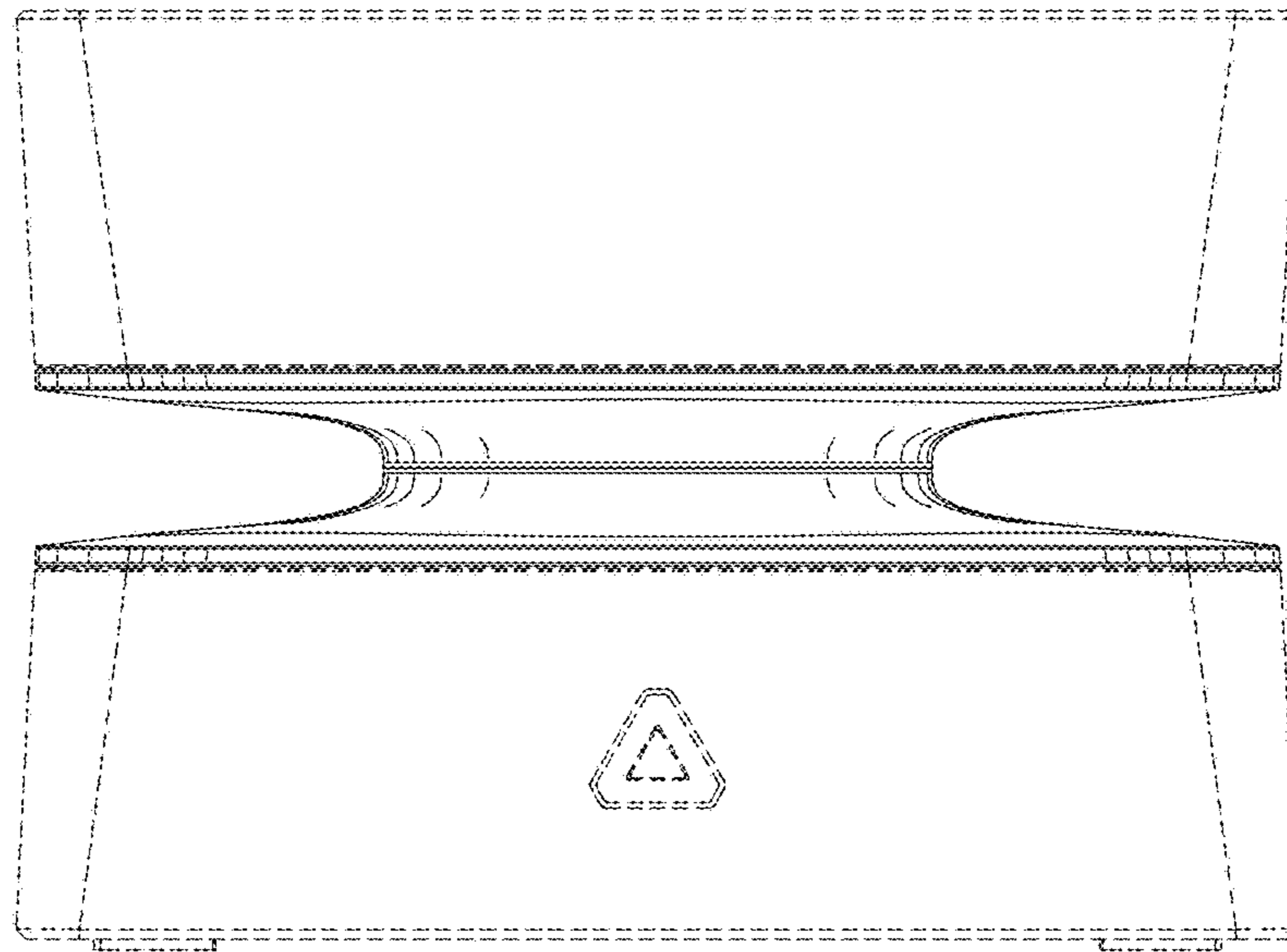


FIG. 11

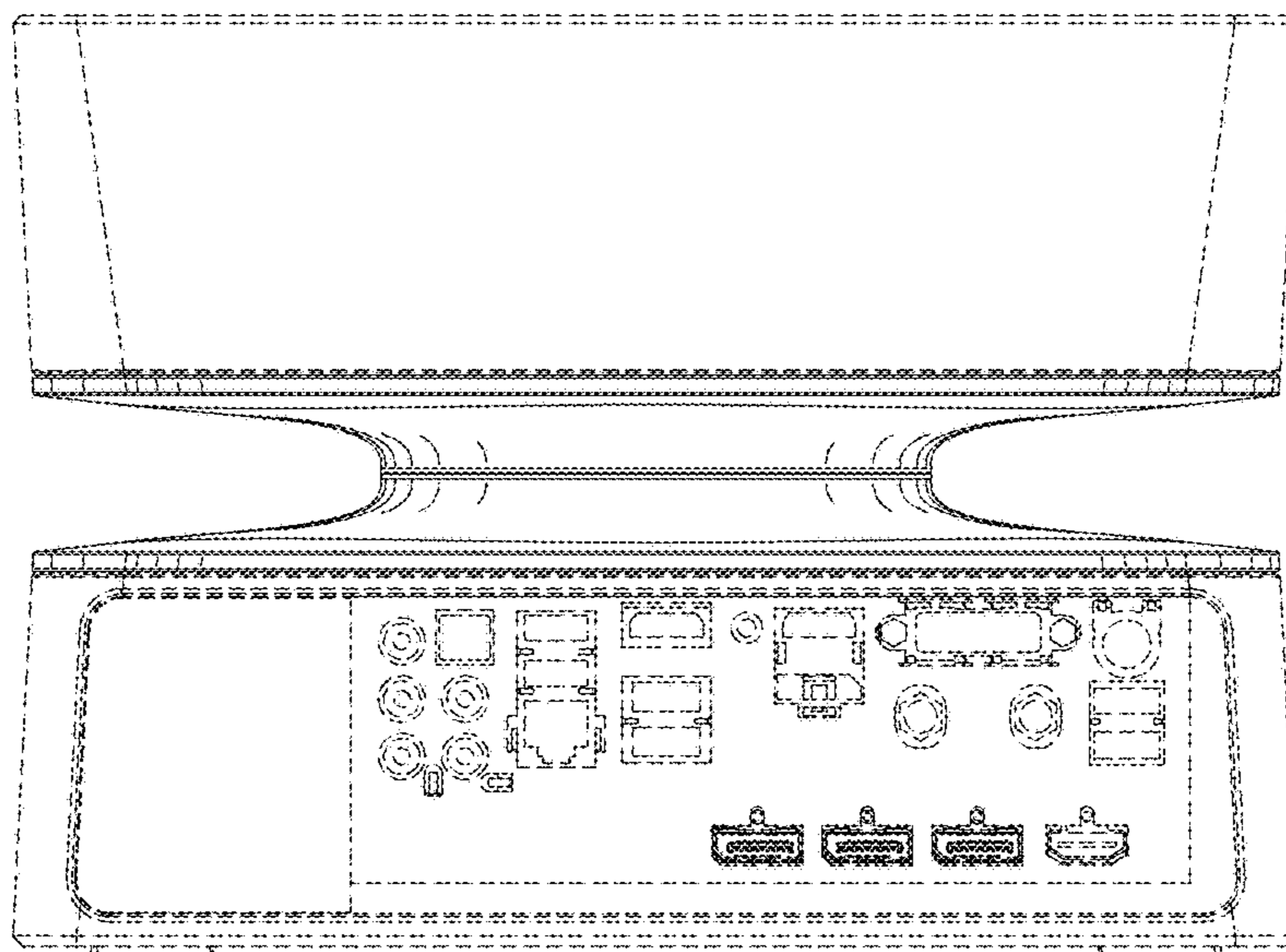


FIG. 12

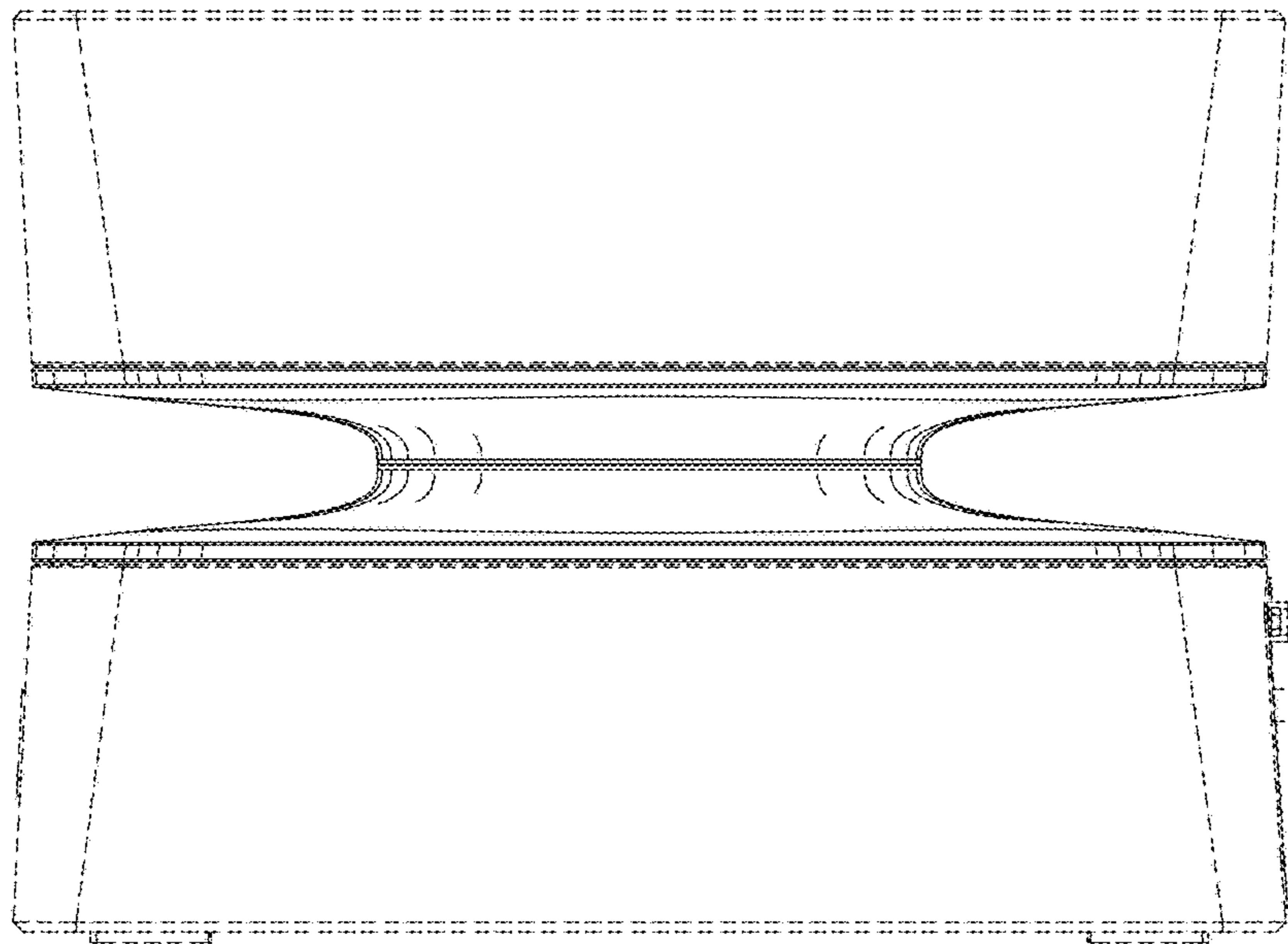


FIG. 13

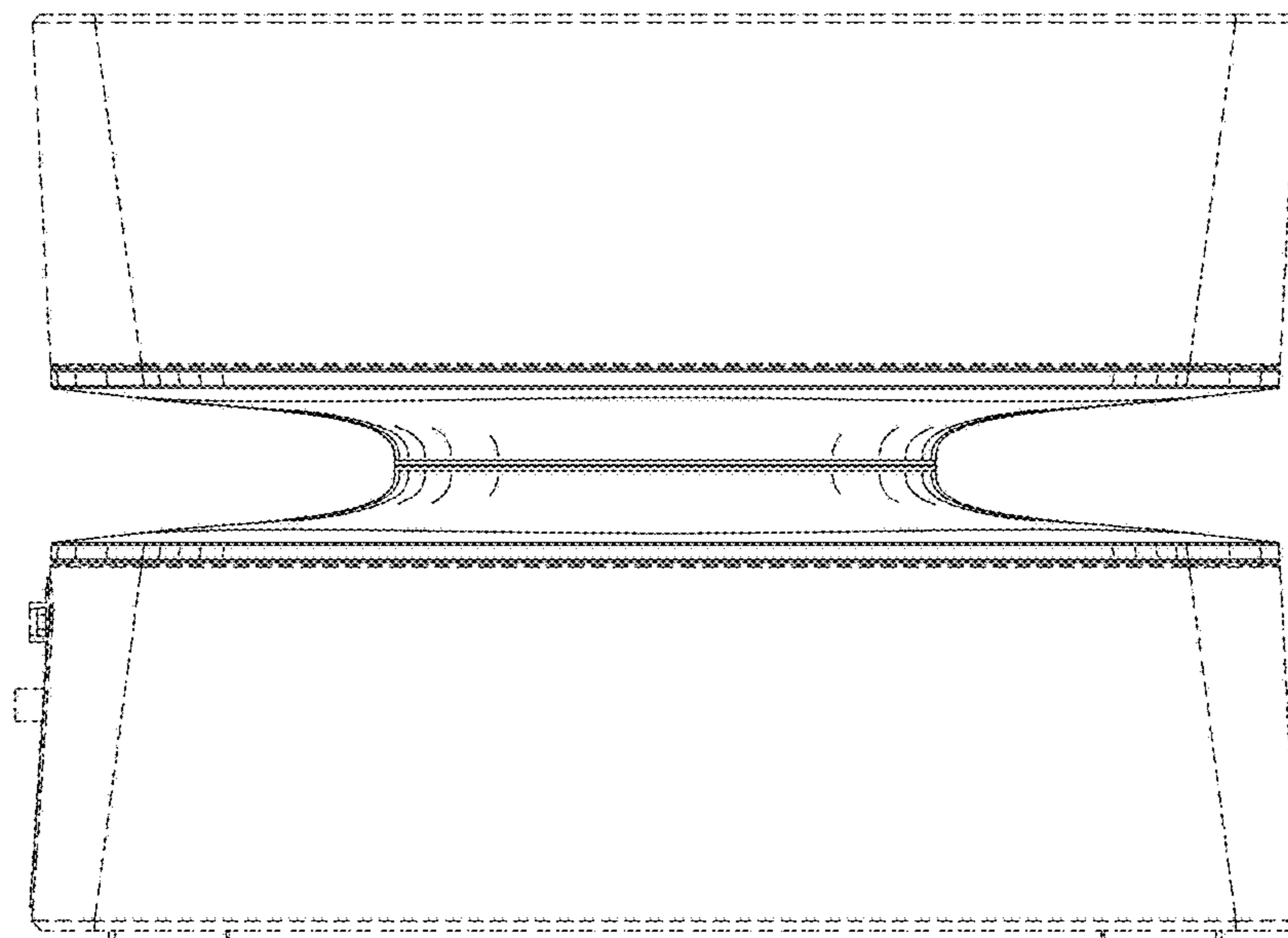


FIG. 14

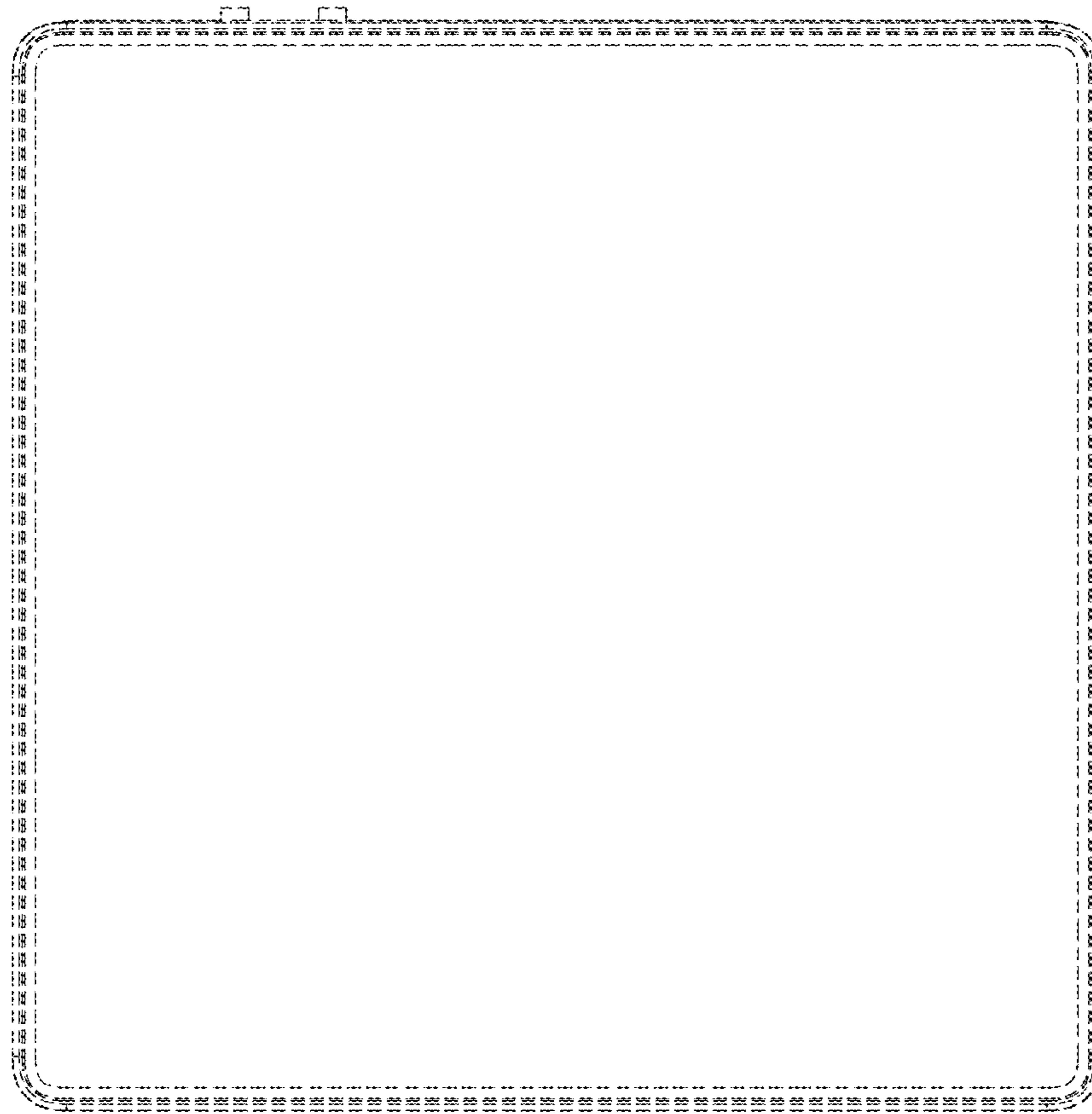


FIG. 15

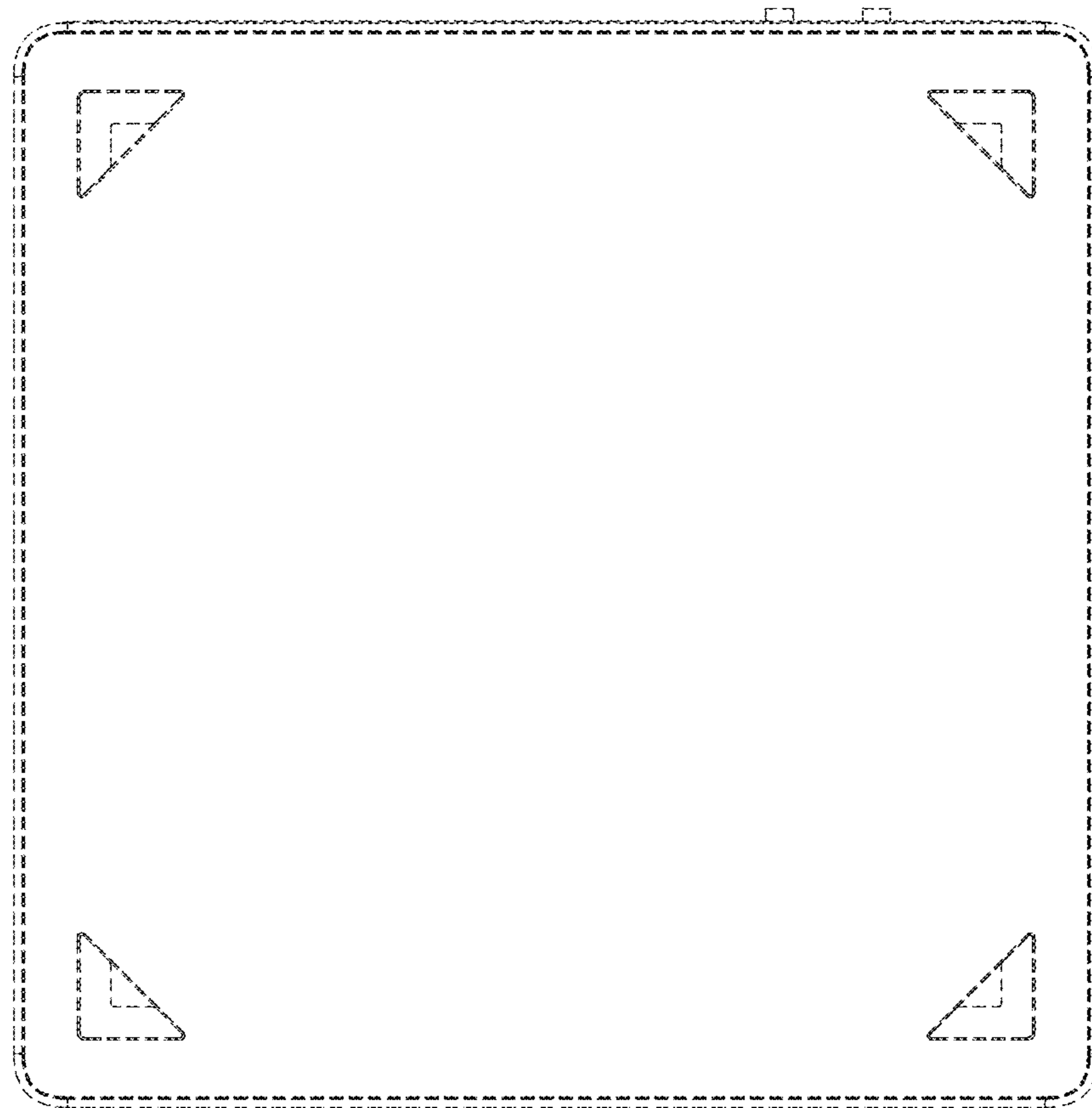


FIG. 16

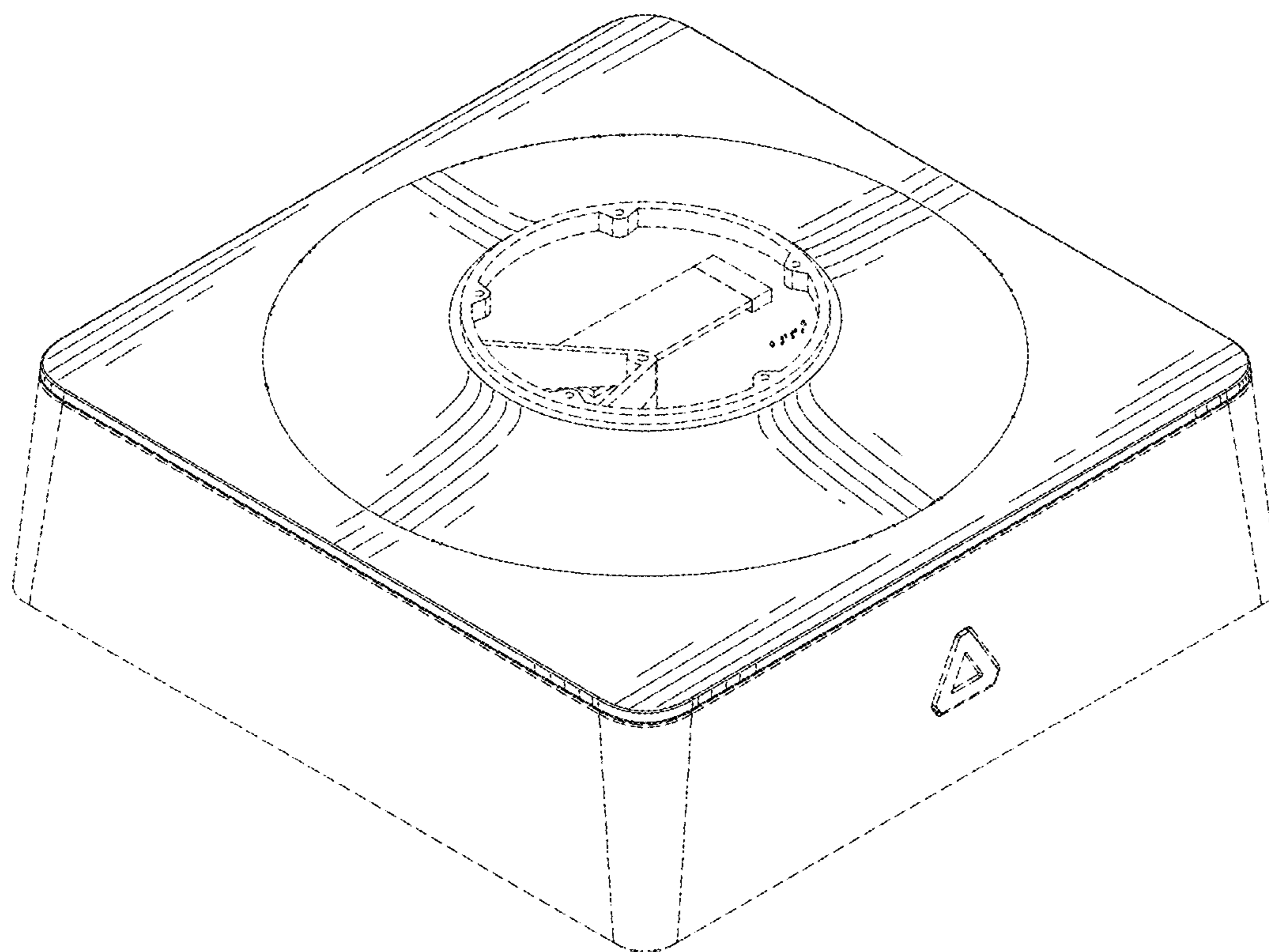


FIG. 17

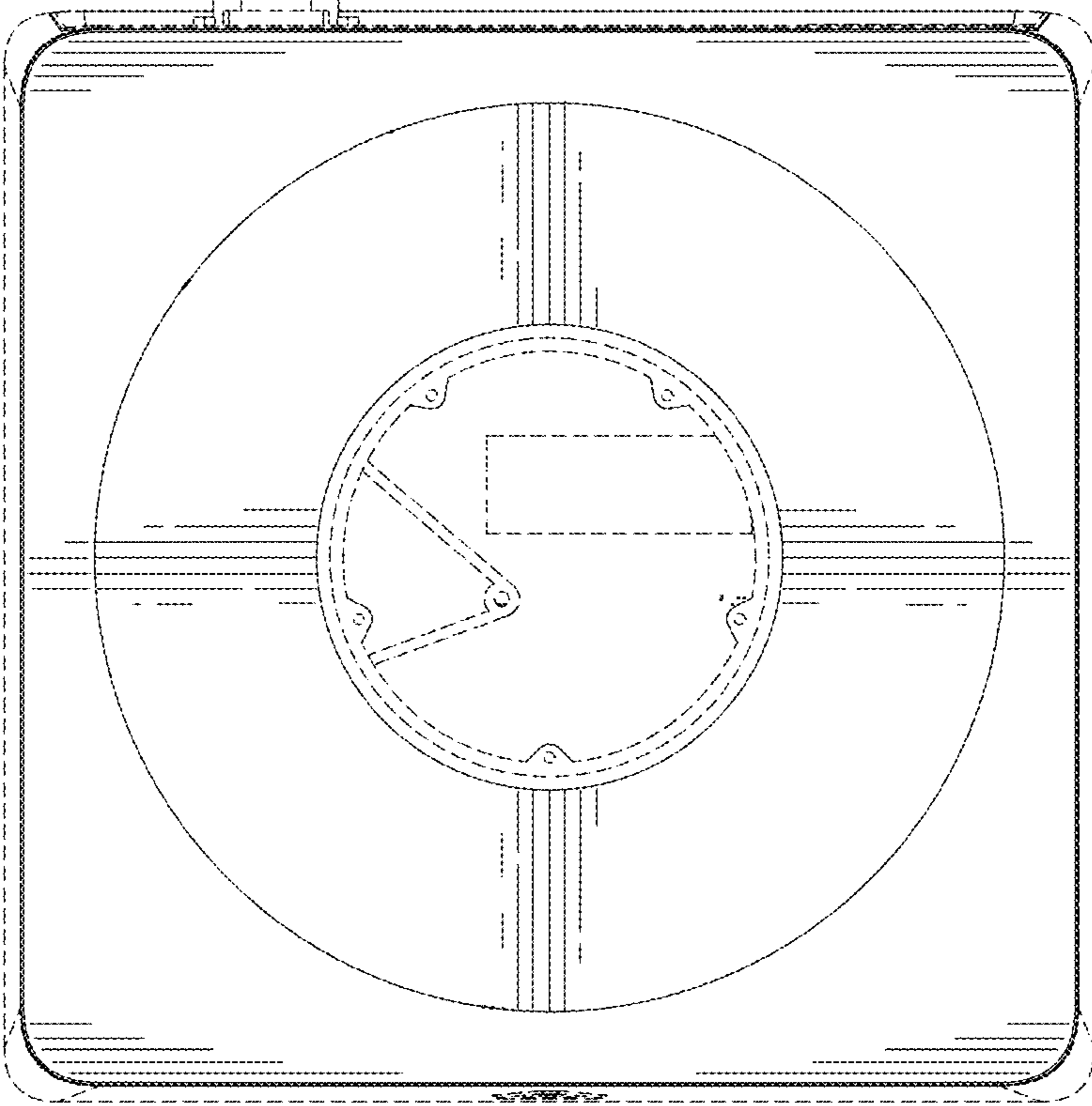


FIG. 18