



US00D798903S

(12) **United States Design Patent** (10) **Patent No.:** **US D798,903 S**  
**Isozaki** (45) **Date of Patent:** **\*\* Oct. 3, 2017**

- (54) **IMAGE DATA RECORDER**  
 (71) Applicant: **FUJIFILM Corporation**, Tokyo (JP)  
 (72) Inventor: **Makoto Isozaki**, Tokyo (JP)  
 (73) Assignee: **FUJIFILM Corporation**, Tokyo (JP)  
 (\*\*) Term: **14 Years**  
 (21) Appl. No.: **29/520,003**  
 (22) Filed: **Mar. 10, 2015**  
 (30) **Foreign Application Priority Data**

Sep. 10, 2014 (JP) ..... 2014-020044

- (51) **LOC (10) Cl.** ..... **14-03**  
 (52) **U.S. Cl.**  
 USPC ..... **D14/496**; D14/167  
 (58) **Field of Classification Search**  
 USPC ..... D14/474, 496, 157, 160, 167, 168;  
 D16/200–208, 218, 219; 369/83, 272.1;  
 346/51; 348/24; 358/296, 305; 463/43,  
 463/46, 47; 386/209, 210  
 CPC ... H04N 2201/0082; H04N 2201/0081; H04N  
 1/12; A63F 13/10; A63F 2300/206; G07F  
 17/32; G07F 17/3216  
 See application file for complete search history.

(56) **References Cited**

U.S. PATENT DOCUMENTS

- D452,241 S \* 12/2001 Kitajima ..... D14/358  
 D456,021 S \* 4/2002 Komatsu ..... D14/349  
 D456,399 S \* 4/2002 Yamamoto ..... D14/337  
 D481,387 S \* 10/2003 Poon ..... D14/356  
 D520,001 S \* 5/2006 Katayama ..... D14/358

- D535,664 S \* 1/2007 Katayama ..... D14/167  
 D557,808 S \* 12/2007 Kondo ..... D24/158  
 D568,315 S \* 5/2008 Yano ..... D14/358  
 D568,316 S \* 5/2008 Yano ..... D14/358  
 D576,620 S \* 9/2008 Tanaka ..... D14/358  
 D576,621 S \* 9/2008 Tanaka ..... D14/358

\* cited by examiner

*Primary Examiner* — Philip S Hyder

*Assistant Examiner* — Ramzi Almatrahi

(74) *Attorney, Agent, or Firm* — Young & Thompson

(57) **CLAIM**

The ornamental design for an image data recorder, as shown and described.

**DESCRIPTION**

FIG. 1 is a top, front and right side perspective view of an image data recorder showing my new design;  
 FIG. 2 is a front elevational view thereof;  
 FIG. 3 is a rear elevational view thereof;  
 FIG. 4 is a top plan view thereof;  
 FIG. 5 is a bottom plan view thereof;  
 FIG. 6 is a left side elevational view thereof;  
 FIG. 7 is a right side elevational view thereof;  
 FIG. 8 is a top, front and right side perspective view thereof, showing the lid in an opened configuration; and,  
 FIG. 9 is a top, front and right side perspective view thereof, shown in condition of use with an attached monitor disclosed in broken lines to illustrate an environment.  
 The broken lines depict portions of an image data recorder in which the design is embodied that form no part of the claimed design.  
 The broken lines showing a monitor in FIG. 9 represent environmental structure and form no part of the claimed design.

**1 Claim, 9 Drawing Sheets**

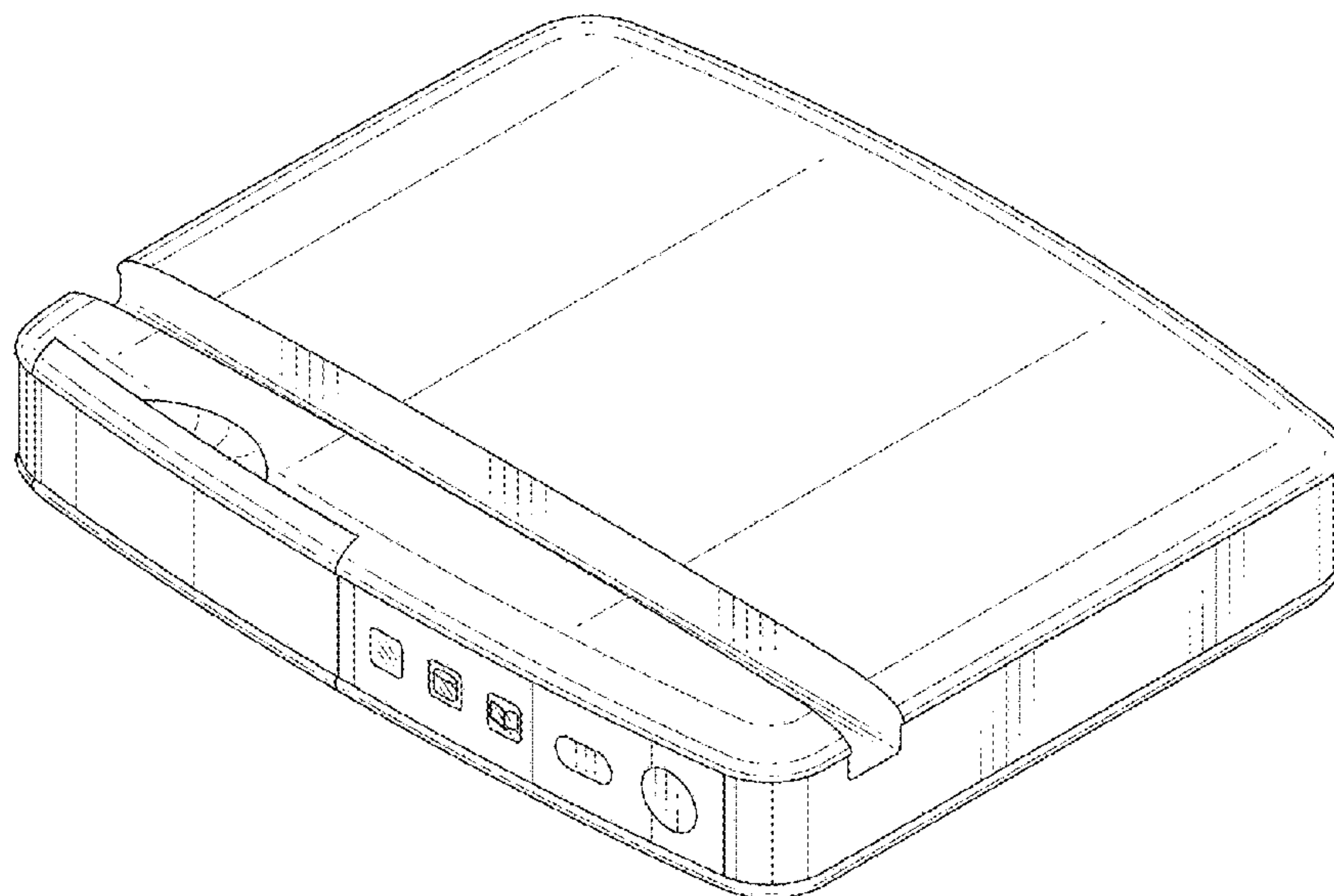


FIG. 1

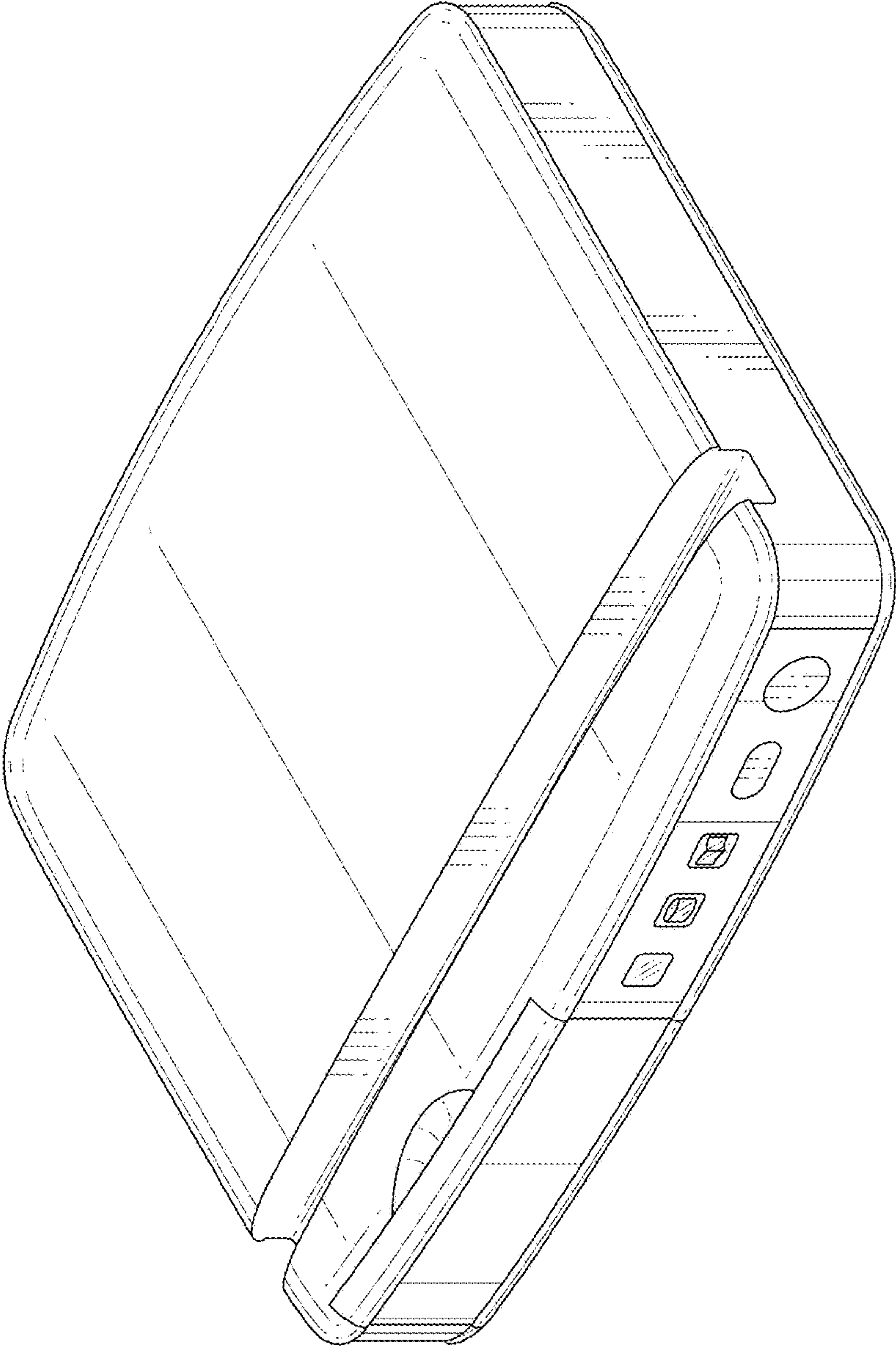


FIG. 2

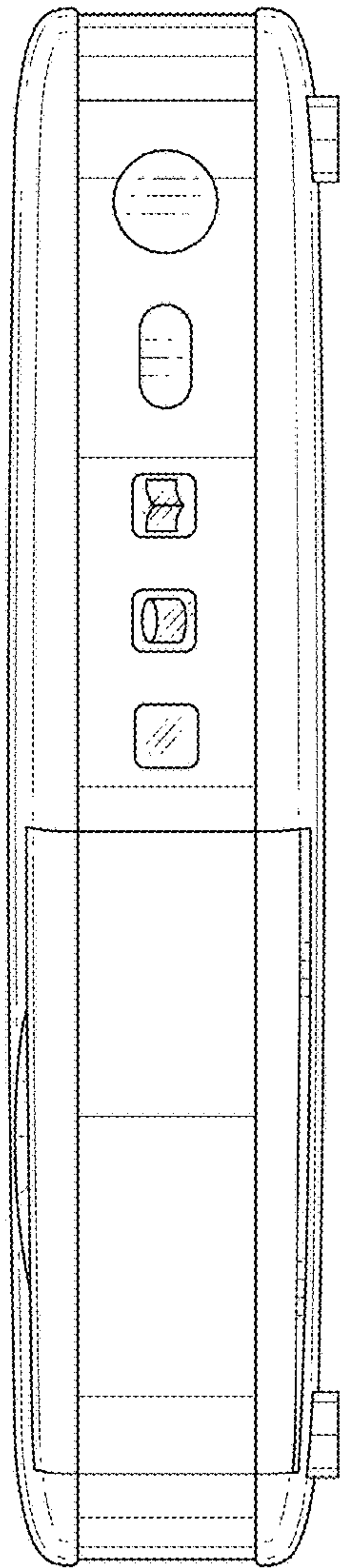


FIG. 3

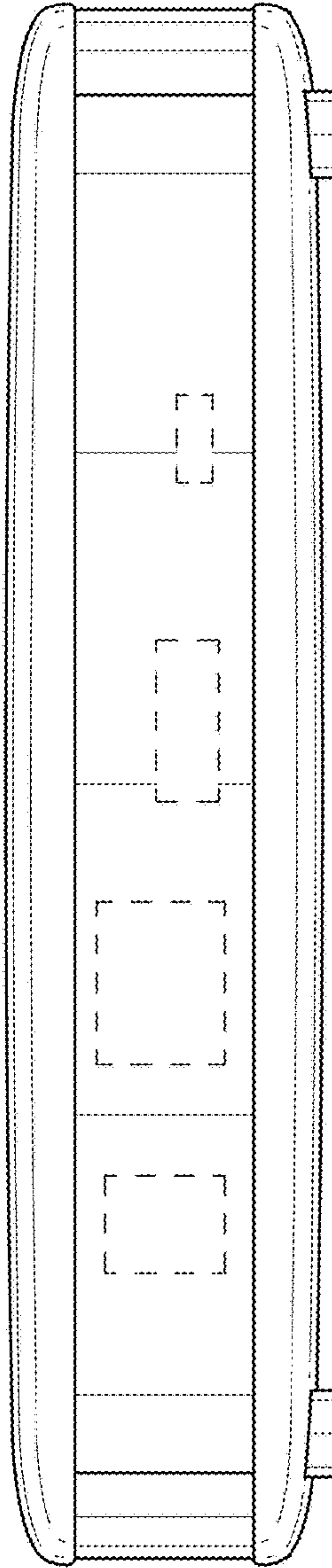


FIG. 4

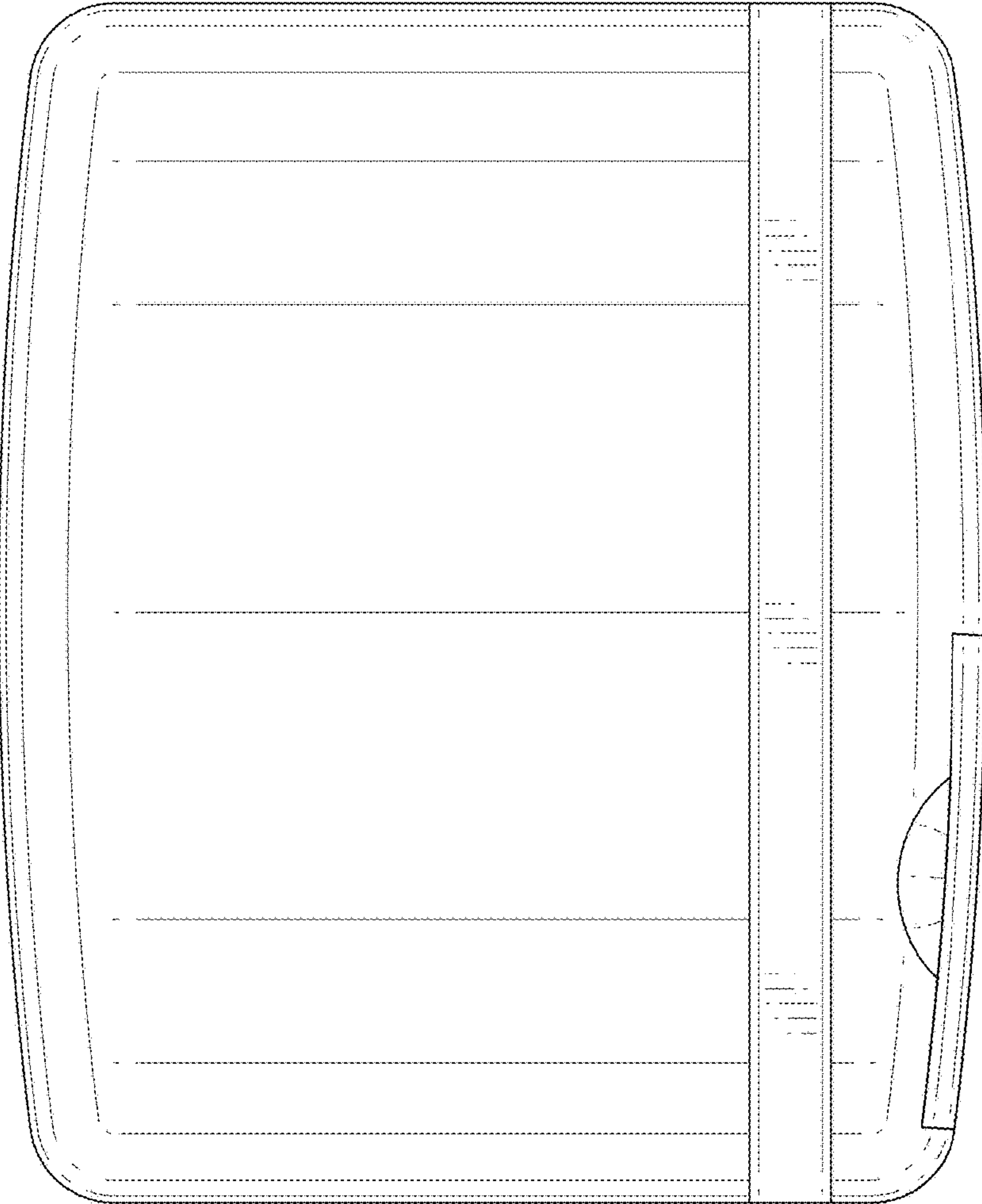




FIG. 5

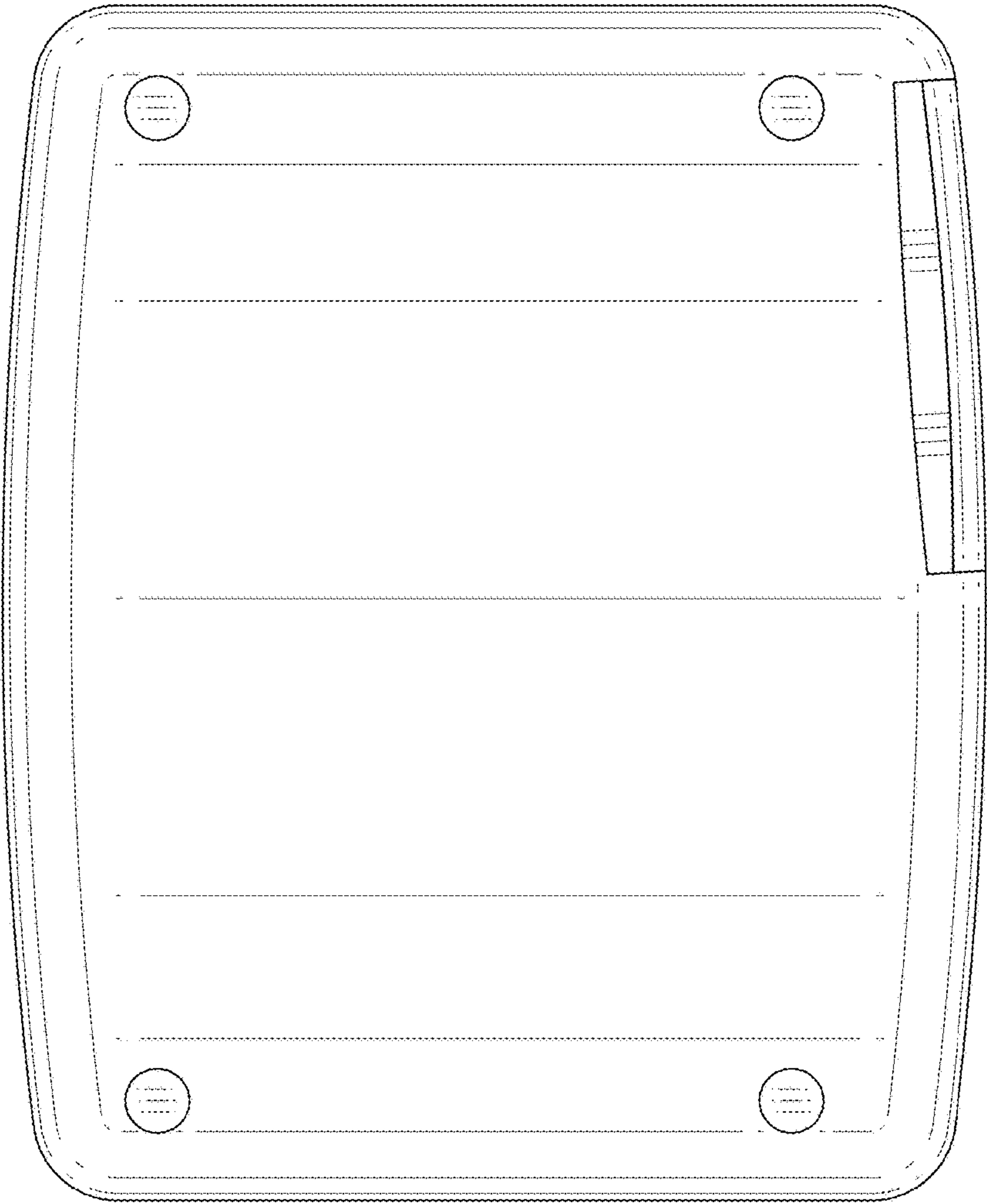


FIG. 6

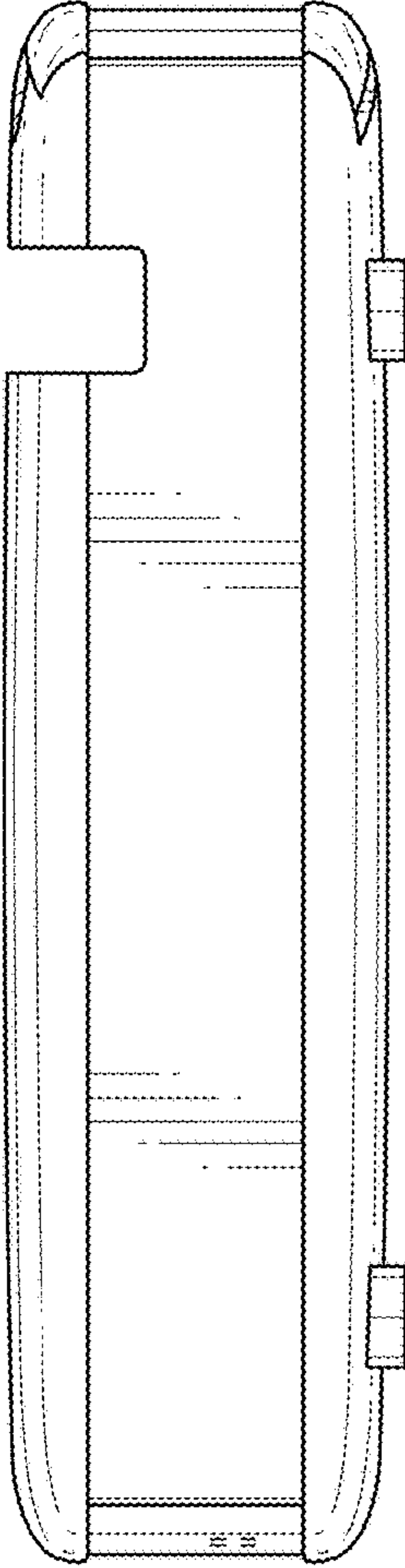


FIG. 7

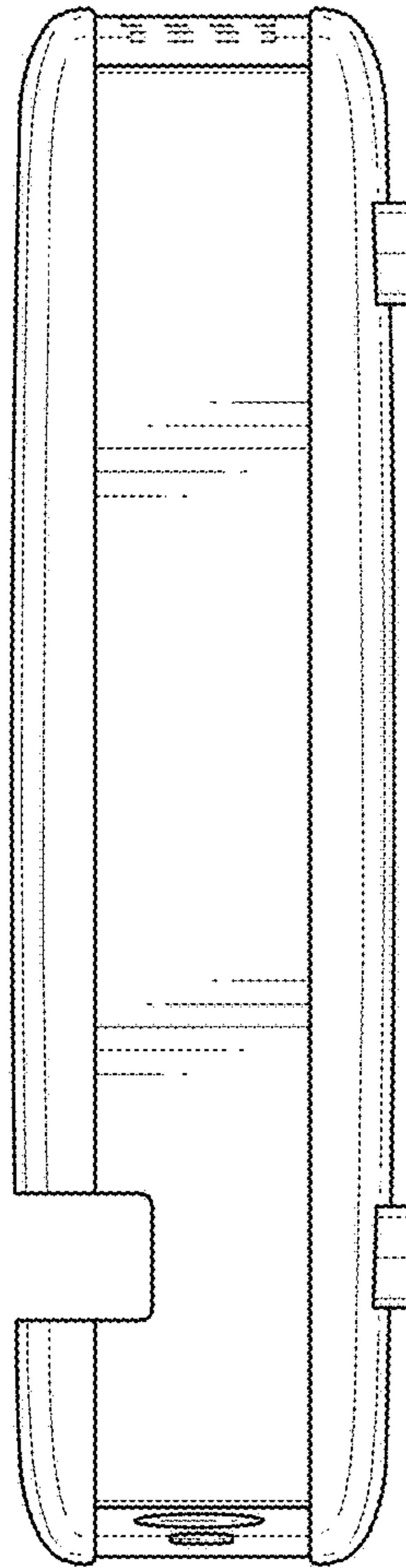




FIG. 8

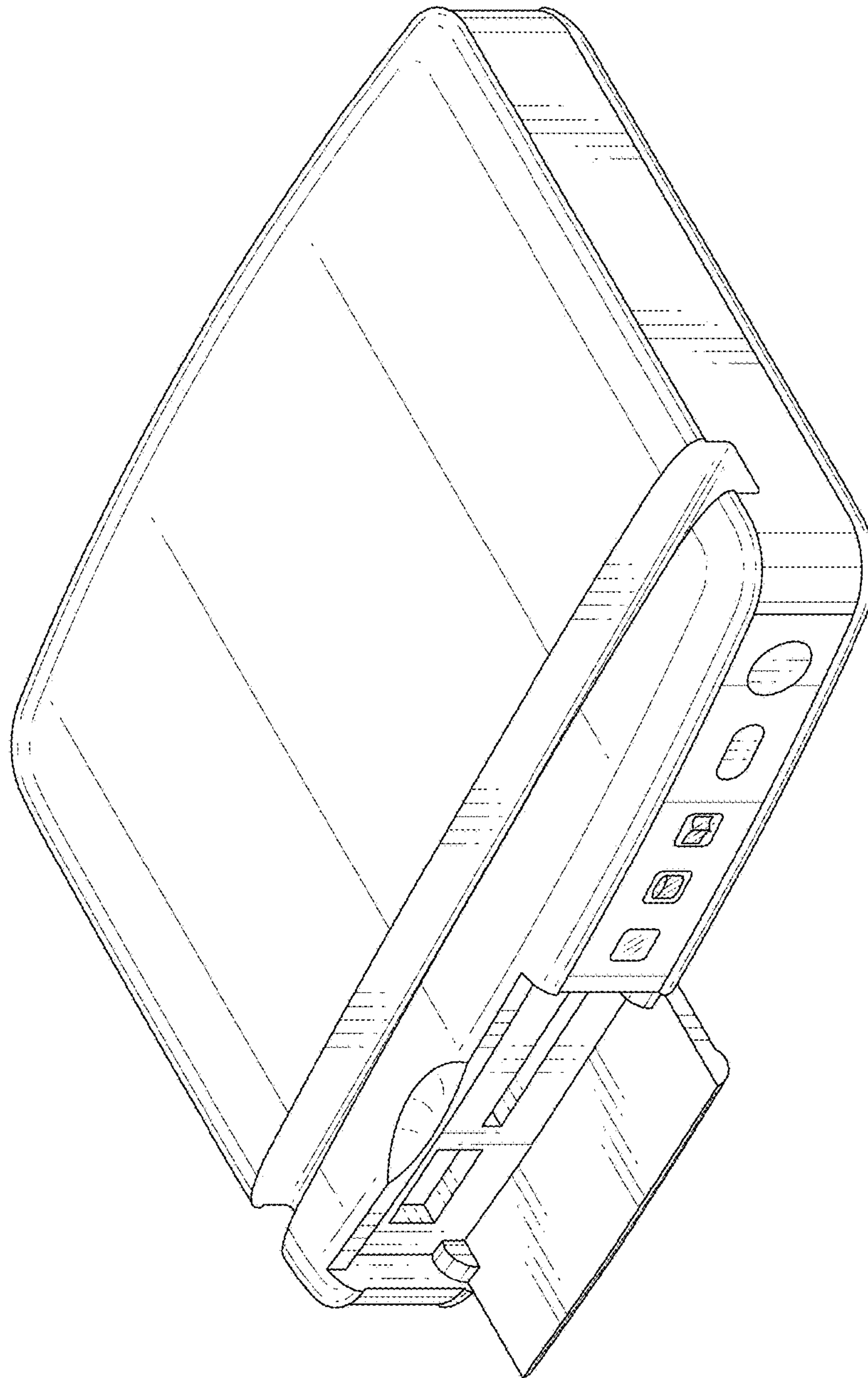


FIG. 9

