



US00D798882S

(12) **United States Design Patent** (10) **Patent No.:** **US D798,882 S**  
**Kurata** (45) **Date of Patent:** **\*\* Oct. 3, 2017**

(54) **RECORDING MEDIUM**

FOREIGN PATENT DOCUMENTS

(71) Applicant: **Kabushiki Kaisha Toshiba**, Minato-ku,  
Tokyo (JP)  
(72) Inventor: **Masaaki Kurata**, Wako (JP)  
(73) Assignee: **Kabushiki Kaisha Toshiba**, Tokyo (JP)  
(\*\*) Term: **15 Years**

CN 302772678 3/2014  
JP 1376296 12/2009  
JP 1407035 2/2011  
KR D30-0634290 2/2012  
KR D30-0667900 11/2012

\* cited by examiner

(21) Appl. No.: **29/594,402**

*Primary Examiner* — Angela J Lee

(22) Filed: **Feb. 17, 2017**

(74) *Attorney, Agent, or Firm* — Banner & Witcoff, Ltd.

(30) **Foreign Application Priority Data**

(57) **CLAIM**

The ornamental design for a recording medium, as shown and described.

Aug. 19, 2016 (JP) ..... 2016-017622

(51) **LOC (10) Cl.** ..... **14-03**

**DESCRIPTION**

(52) **U.S. Cl.**  
USPC ..... **D14/480.7**

(58) **Field of Classification Search**  
USPC ..... D14/435.1, 480.1–480.7  
CPC ..... H05K 5/0278; G06K 19/07732  
See application file for complete search history.

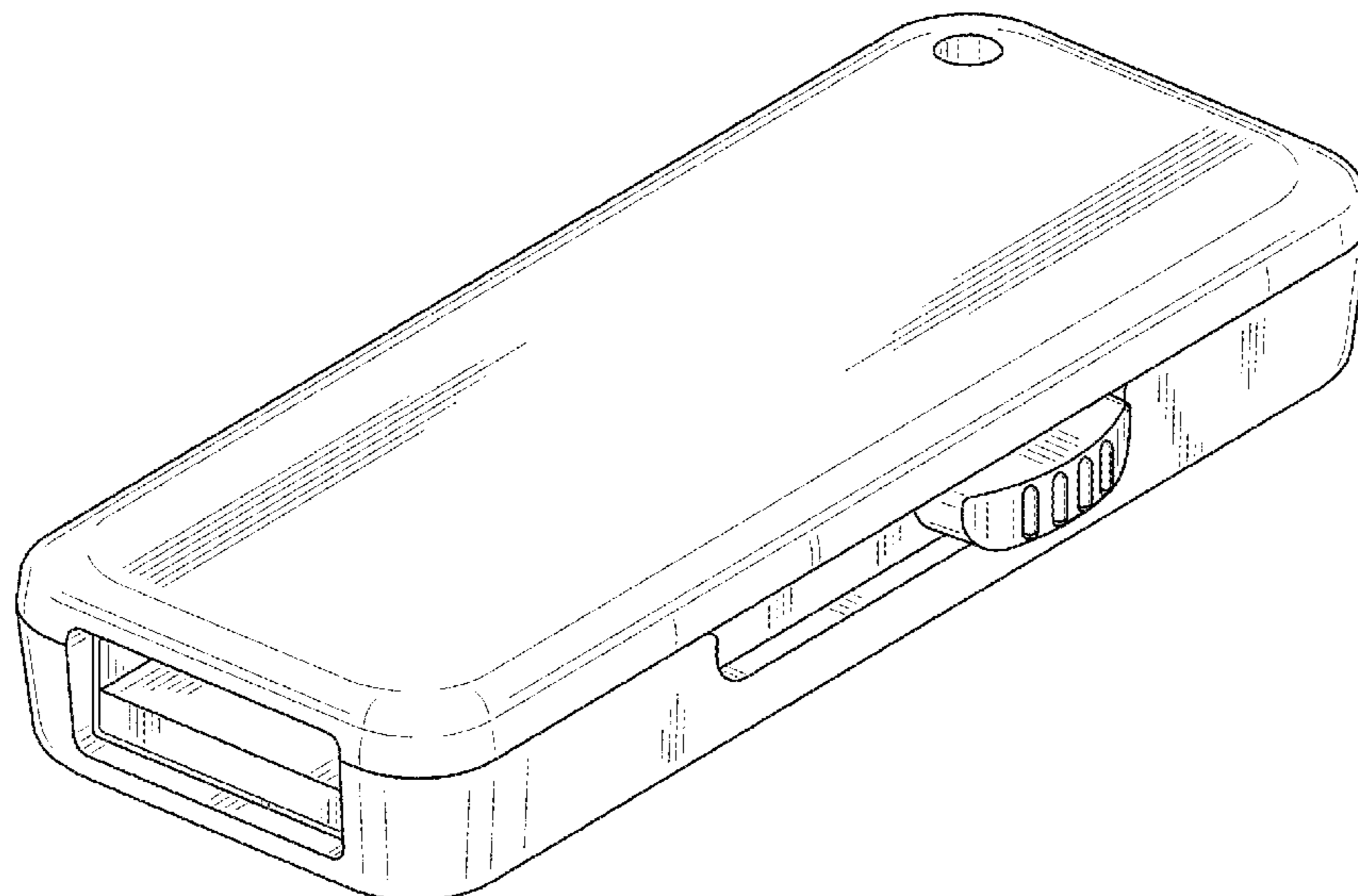
FIG. 1 is a perspective view of a recording medium, showing my new design;  
FIG. 2 is a front view thereof;  
FIG. 3 is a rear view thereof;  
FIG. 4 is a left side view thereof;  
FIG. 5 is a right side view thereof;  
FIG. 6 is a top view thereof;  
FIG. 7 is a bottom view thereof;  
FIG. 8 is an end view thereof, taken along the line 8-8 in FIG. 6;  
FIG. 9 is an end view thereof, taken along the line 9-9 in FIG. 6;  
FIG. 10 is an end view thereof, taken along the line 10-10 in FIG. 2; and,  
FIG. 11 is a perspective view showing a state where a USB connector is slid out.  
The broken lines in FIG. 2 are included to indicate the cutting plane of FIG. 10. The broken lines shown in FIGS. 8, 9 and 10 are for environmental purposes only and form no part of the claimed design.

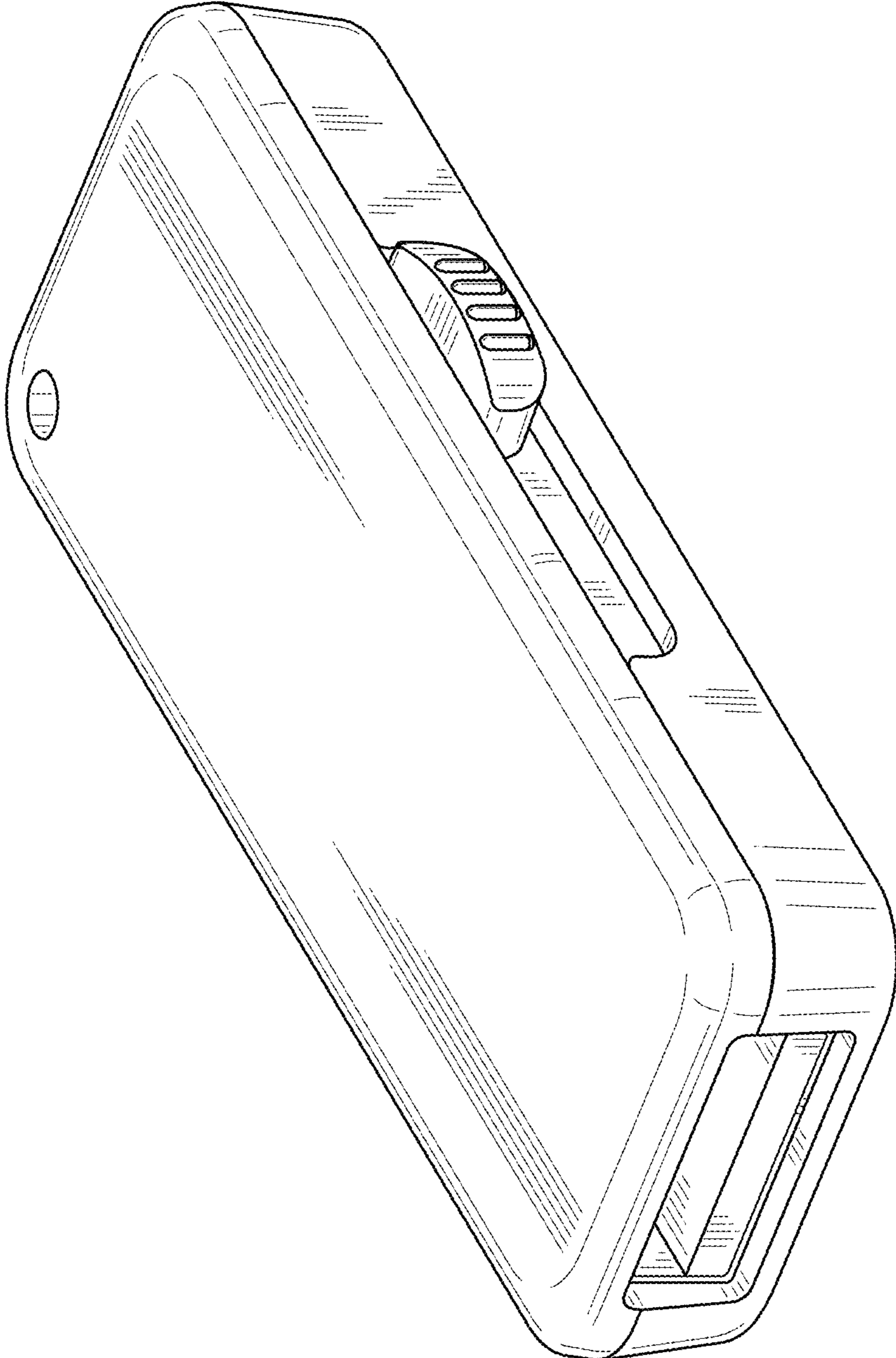
(56) **References Cited**

U.S. PATENT DOCUMENTS

D541,796 S \* 5/2007 Chen ..... D14/480.7  
D591,758 S \* 5/2009 Lee ..... D14/435.1  
D606,077 S \* 12/2009 Hu ..... D14/480.1  
D610,588 S \* 2/2010 Chen ..... D14/480.7  
D620,018 S \* 7/2010 Nan ..... D14/480.7  
D642,585 S \* 8/2011 Lan ..... D14/480.5  
D652,046 S \* 1/2012 Belan ..... D14/480.6  
D655,708 S \* 3/2012 Frank ..... D14/435.1  
D669,904 S \* 10/2012 Ni ..... D14/480.7  
D702,246 S \* 4/2014 Hoffart ..... D14/480.1  
D737,201 S \* 8/2015 Liu ..... D13/108  
D753,090 S \* 4/2016 Langhammer ..... D14/203.3  
2009/0042433 A1 \* 2/2009 Bushby ..... H01R 13/4538  
439/352

**1 Claim, 6 Drawing Sheets**





*Fig. 1*

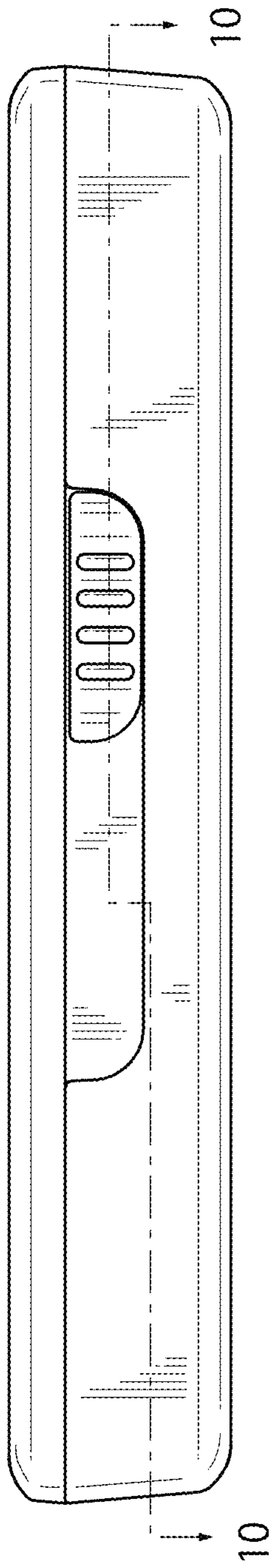


Fig. 2

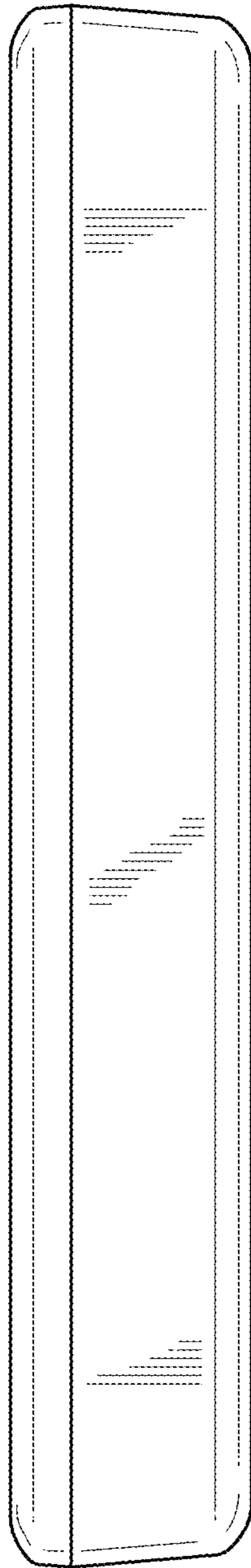


Fig. 3

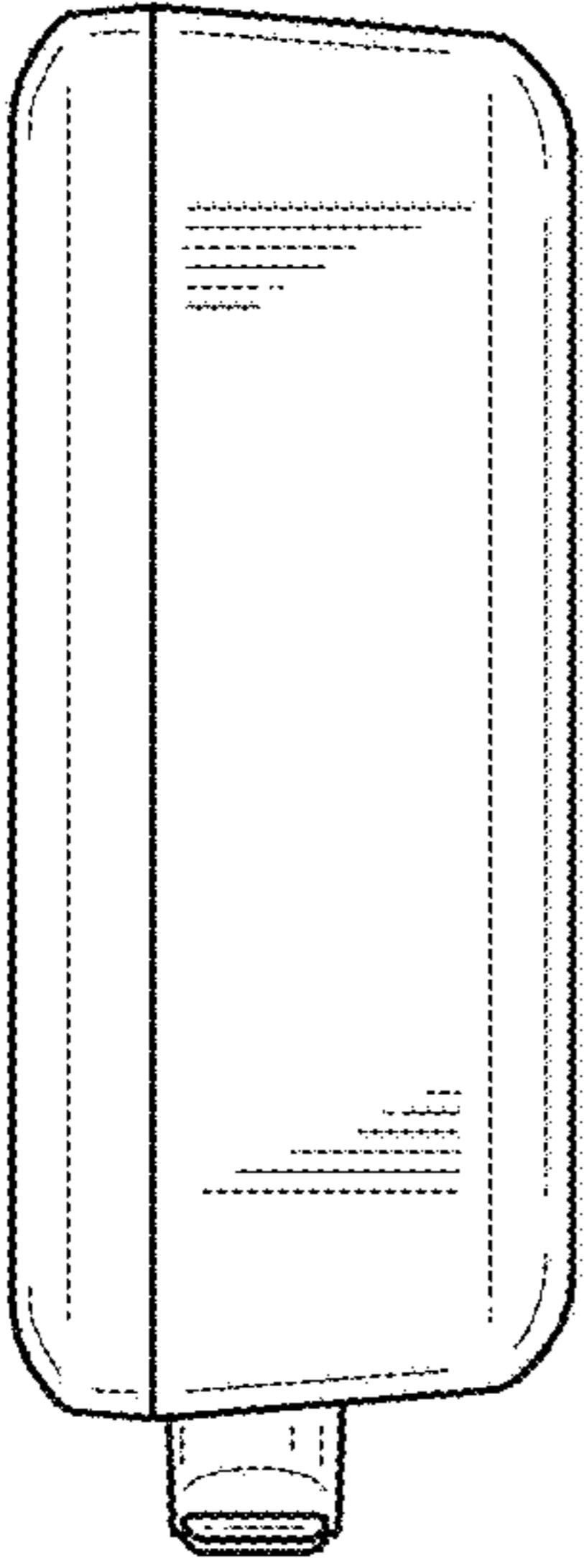


Fig. 5

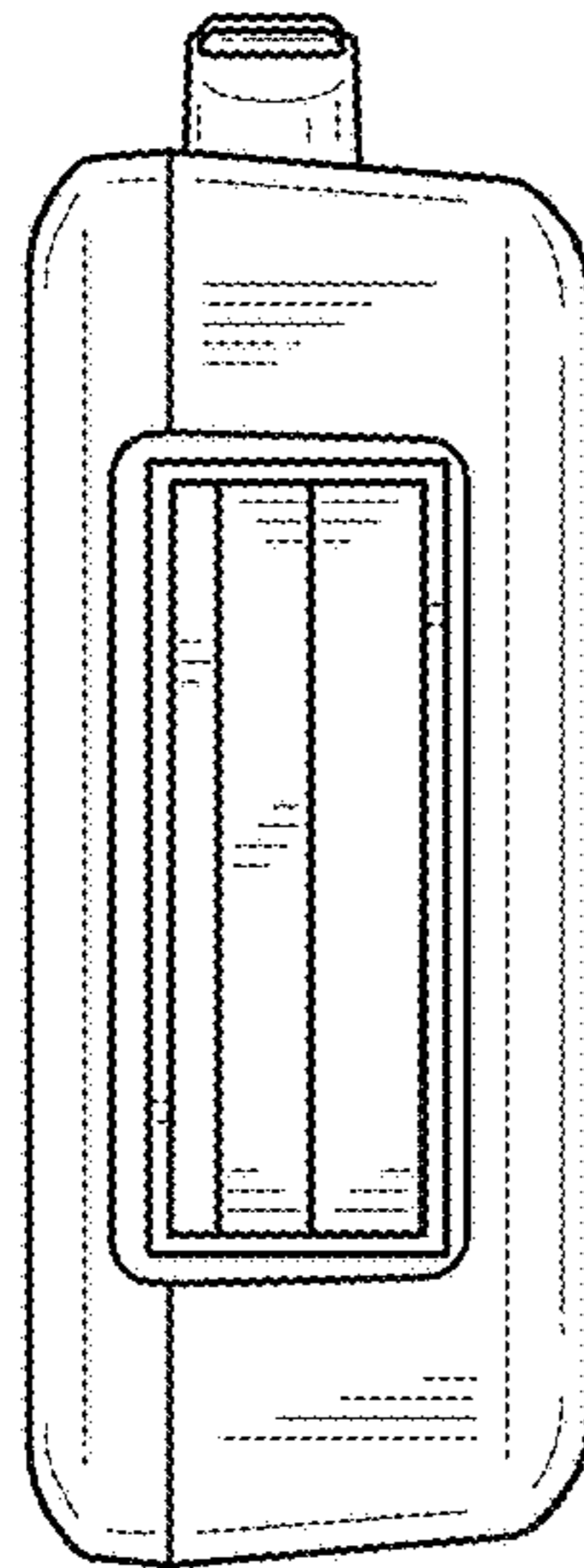
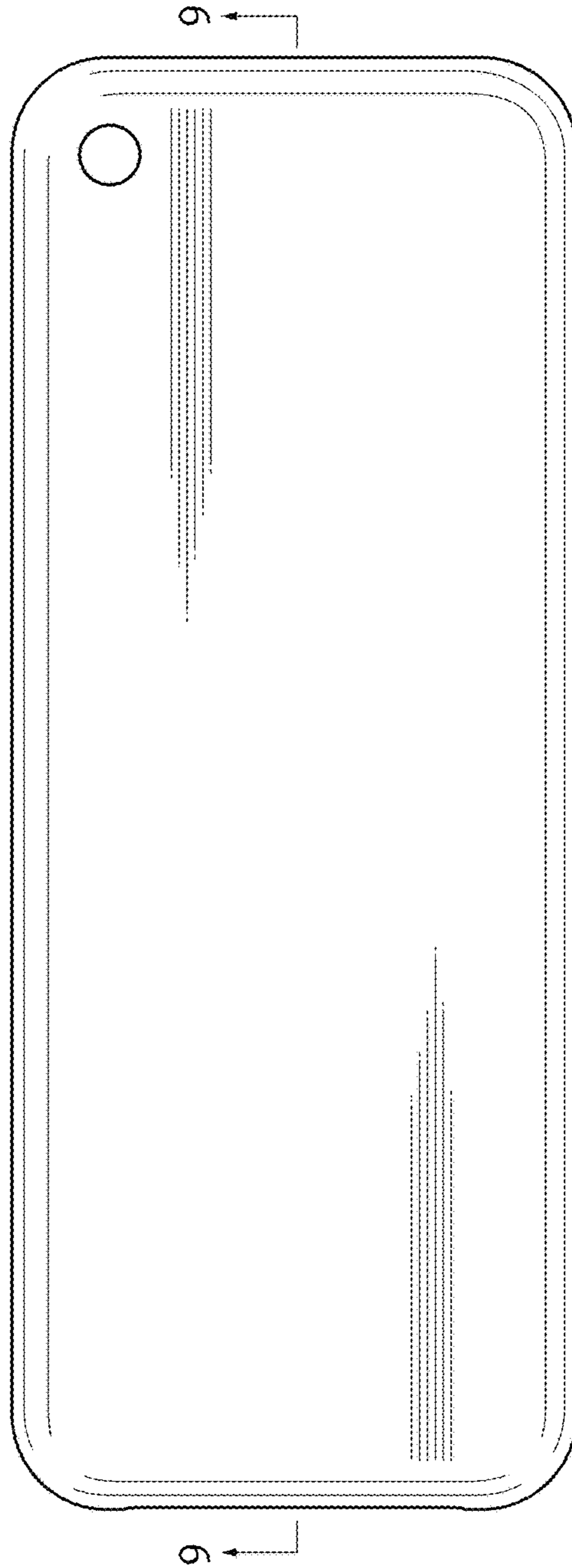


Fig. 4

8



9

9

8

Fig. 6



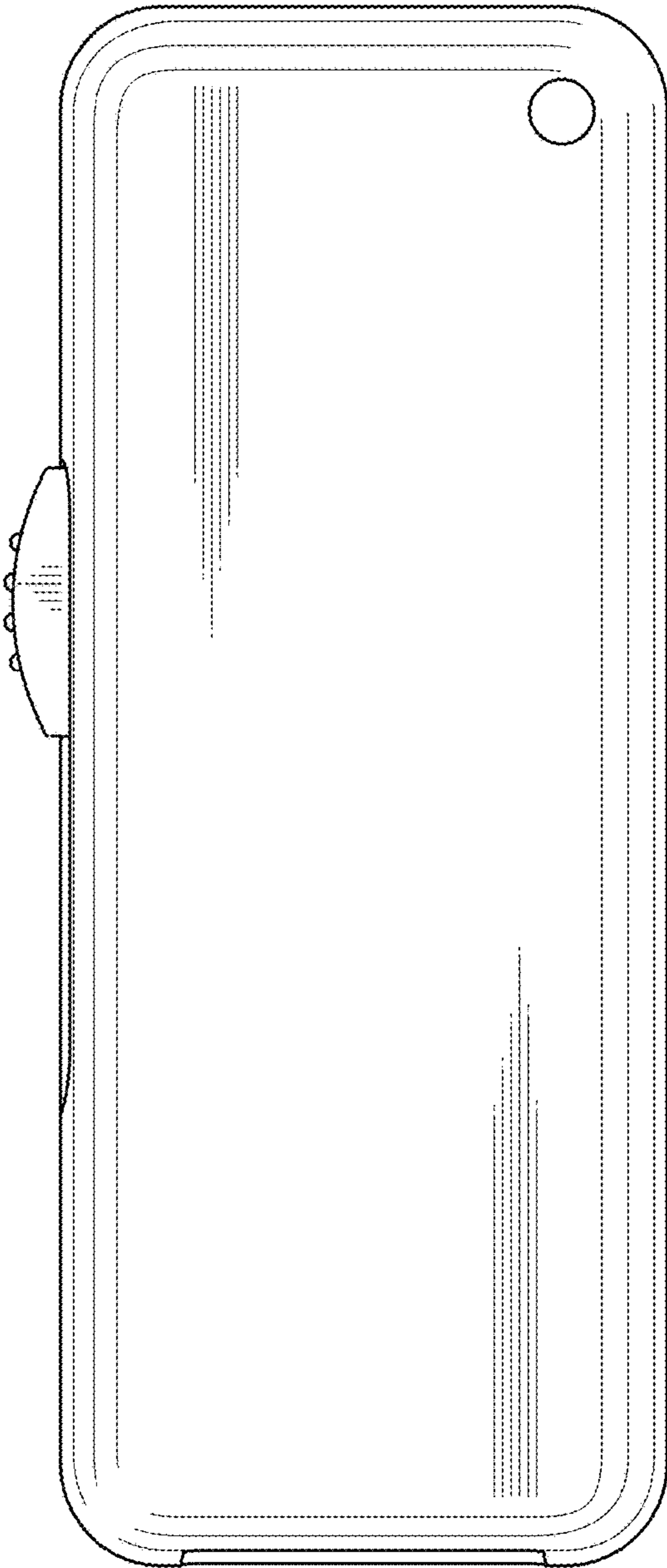


Fig. 7

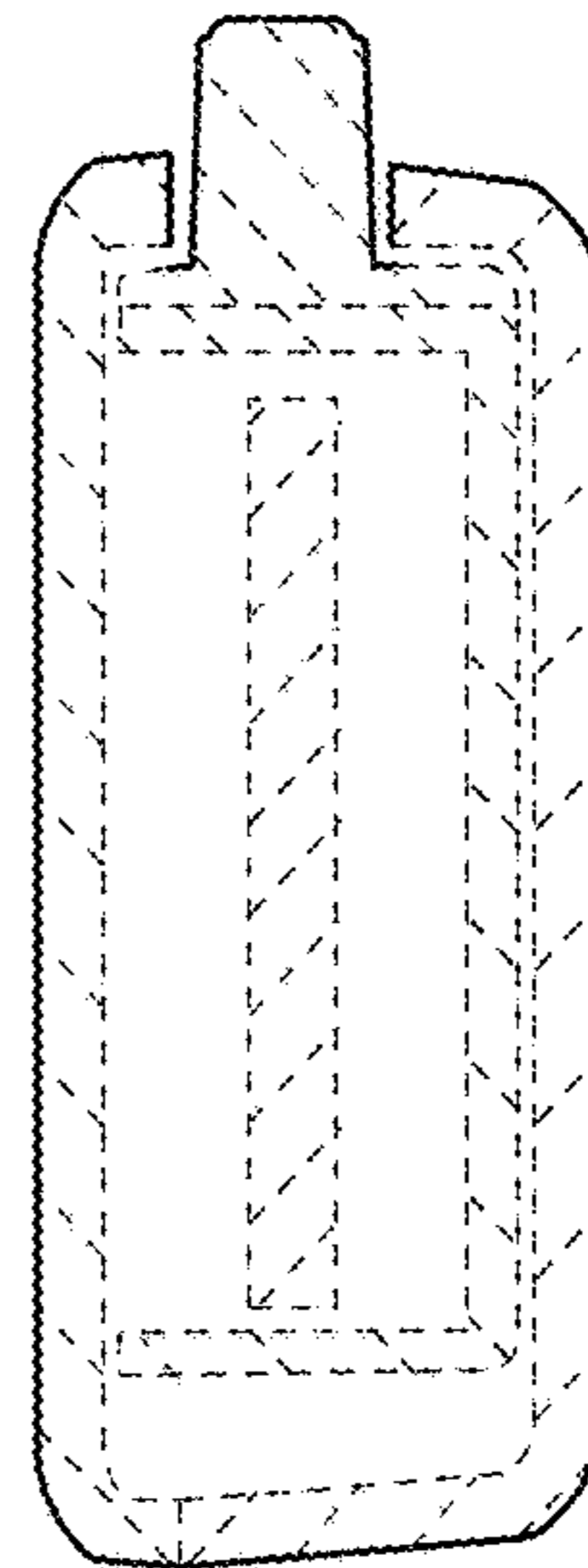
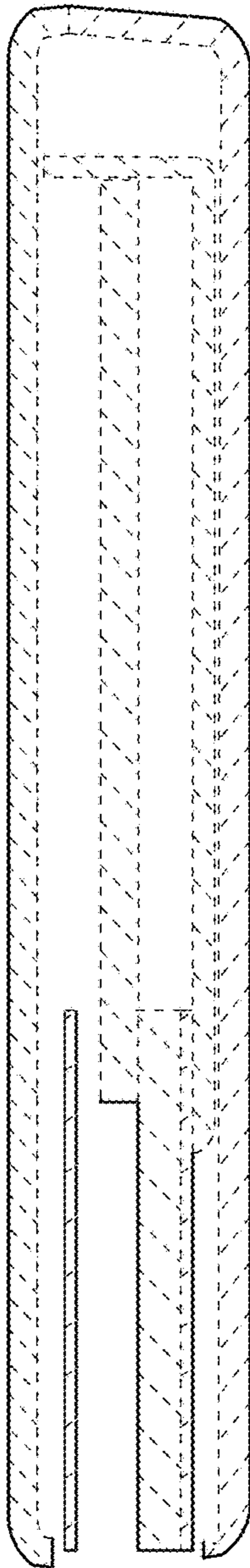
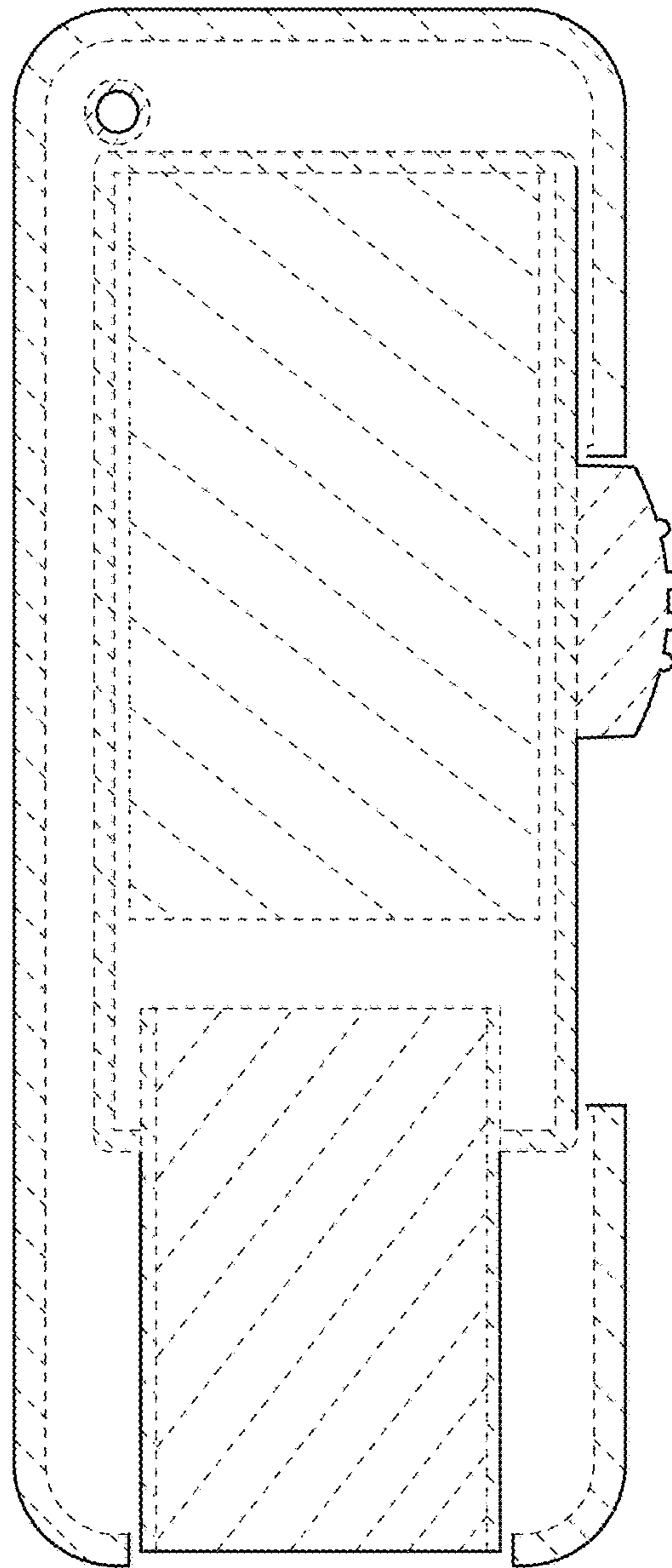


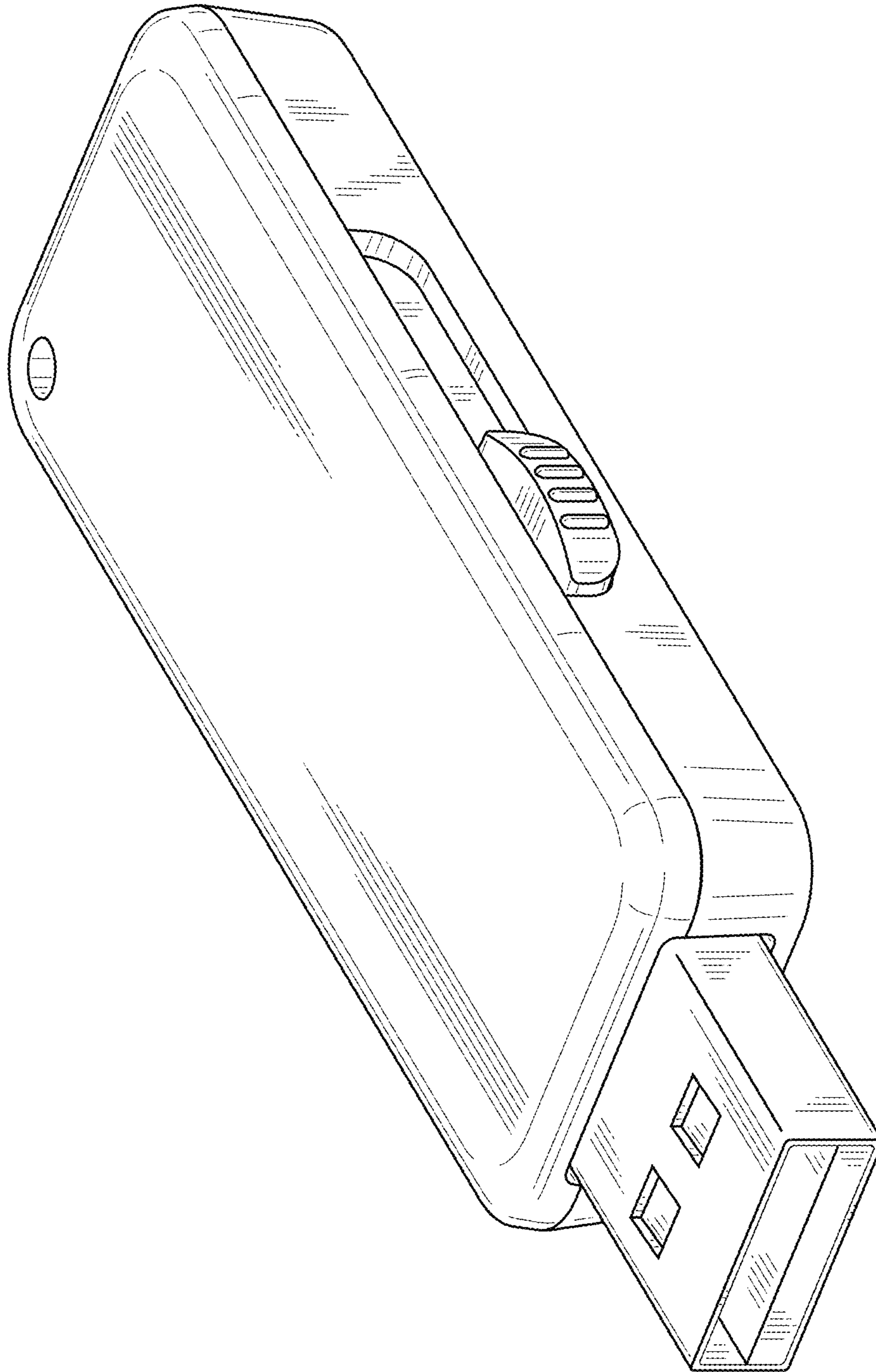
Fig. 8



*Fig. 9*



*Fig. 10*



*Fig. 11*