



US00D798881S

(12) **United States Design Patent**
Tsai et al.

(10) **Patent No.:** **US D798,881 S**

(45) **Date of Patent:** **** Oct. 3, 2017**

- (54) **PORTABLE STORAGE DEVICE**
- (71) Applicant: **Silicon Power Computer & Communications, Inc., Taipei (TW)**
- (72) Inventors: **Hui-Jou Tsai, Taipei (TW); Wen-Te Shen, Taipei (TW)**
- (73) Assignee: **Silicon Power Computer & Communications, Inc., Taipei (TW)**
- (**) Term: **15 Years**
- (21) Appl. No.: **29/577,076**
- (22) Filed: **Sep. 9, 2016**
- (51) **LOC (10) Cl.** **14-03**
- (52) **U.S. Cl.**
USPC **D14/480.3**
- (58) **Field of Classification Search**
USPC D14/435.1, 480.1-480.7
CPC H05K 5/0278; G06K 19/07732
See application file for complete search history.

(56) **References Cited**

U.S. PATENT DOCUMENTS

- D449,615 S * 10/2001 Lloyd D14/435.1
- D463,426 S * 9/2002 Cheng D14/480.1
- D520,996 S * 5/2006 Deng D14/480.5
- D605,198 S * 12/2009 Otsuka D14/480.5
- D642,585 S * 8/2011 Lan D14/480.5
- D652,046 S * 1/2012 Belan D14/480.6
- D667,832 S * 9/2012 Zhou D14/480.6

- D669,899 S * 10/2012 Cheng D14/435.1
- D682,841 S * 5/2013 Suetake D14/480.1
- D707,690 S * 6/2014 Billington D14/480.7
- D711,389 S * 8/2014 Sun D14/480.5
- D717,309 S * 11/2014 Govindarajan D14/480.6
- D729,277 S * 5/2015 Uchida D14/435.1

* cited by examiner

Primary Examiner — Angela J Lee

(74) *Attorney, Agent, or Firm* — LeClairRyan

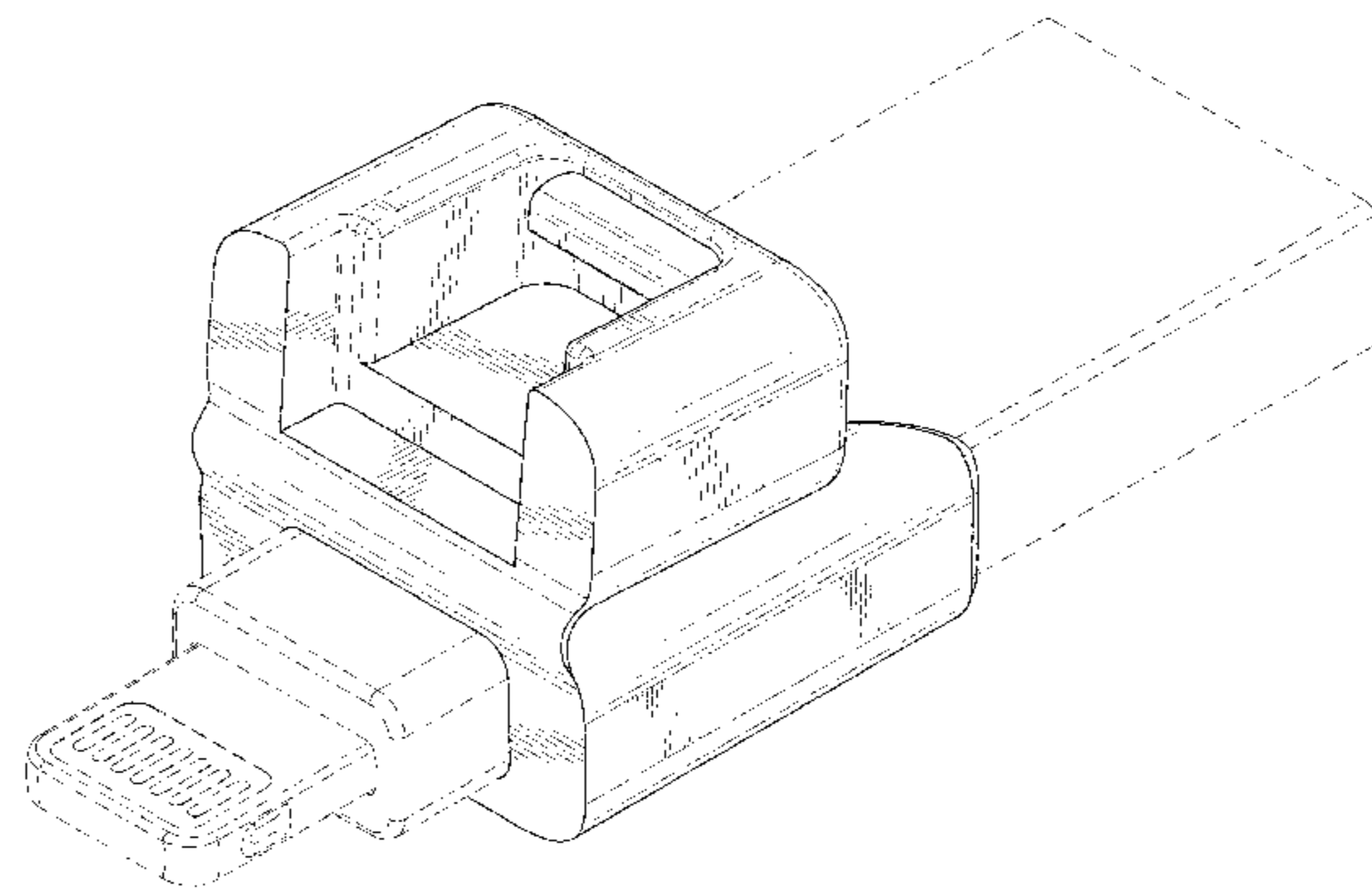
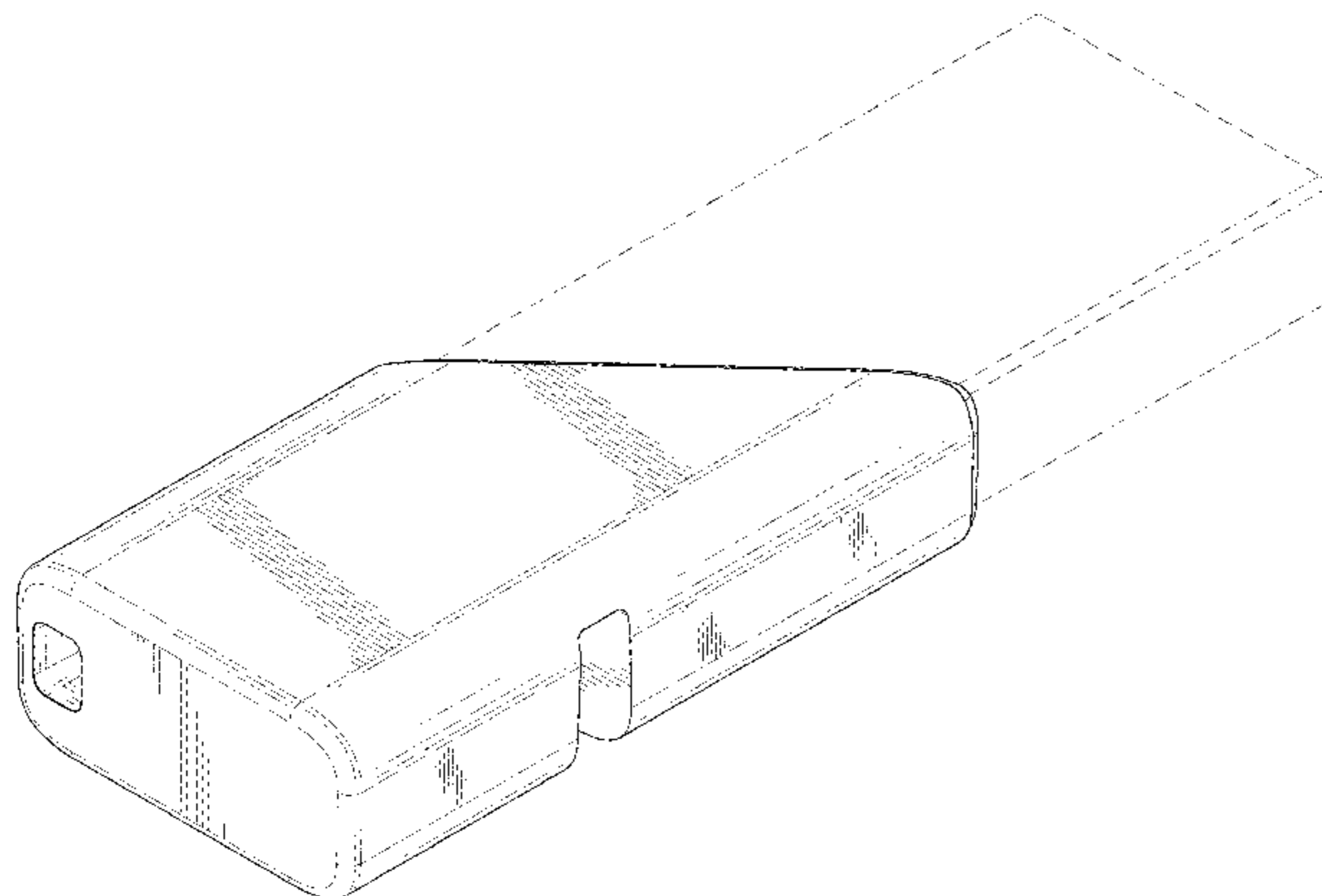
(57) **CLAIM**

The ornamental design for a portable storage device, as shown and described.

DESCRIPTION

FIG. 1 is a front-left-bottom perspective view of a portable storage device showing our new design; FIG. 2 is a front elevational view thereof; FIG. 3 is a rear elevational view thereof; FIG. 4 is a left side elevational view thereof; FIG. 5 is a right side elevational view thereof; FIG. 6 is a top plan view thereof; FIG. 7 is a bottom plan view thereof; FIG. 8 is a front-top-right perspective view thereof; FIG. 9 is a rear-top-right perspective view thereof; and, FIG. 10 is another front-left-bottom perspective view thereof, illustrating a cap portion of the portable storage device is in a bending state. The broken lines depict portions of a portable storage device in which the design is embodied that form no part of the claimed design.

1 Claim, 9 Drawing Sheets



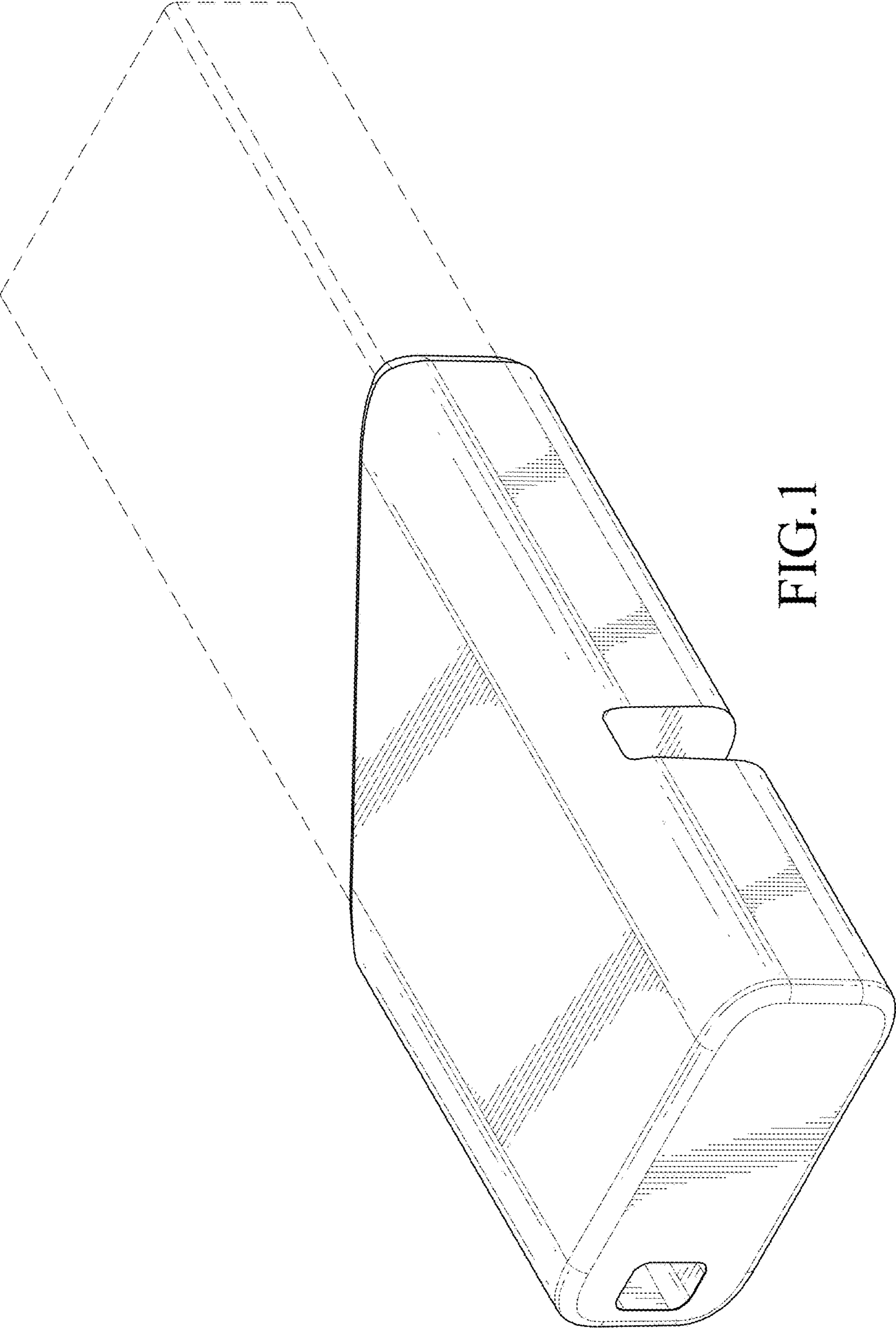


FIG.1

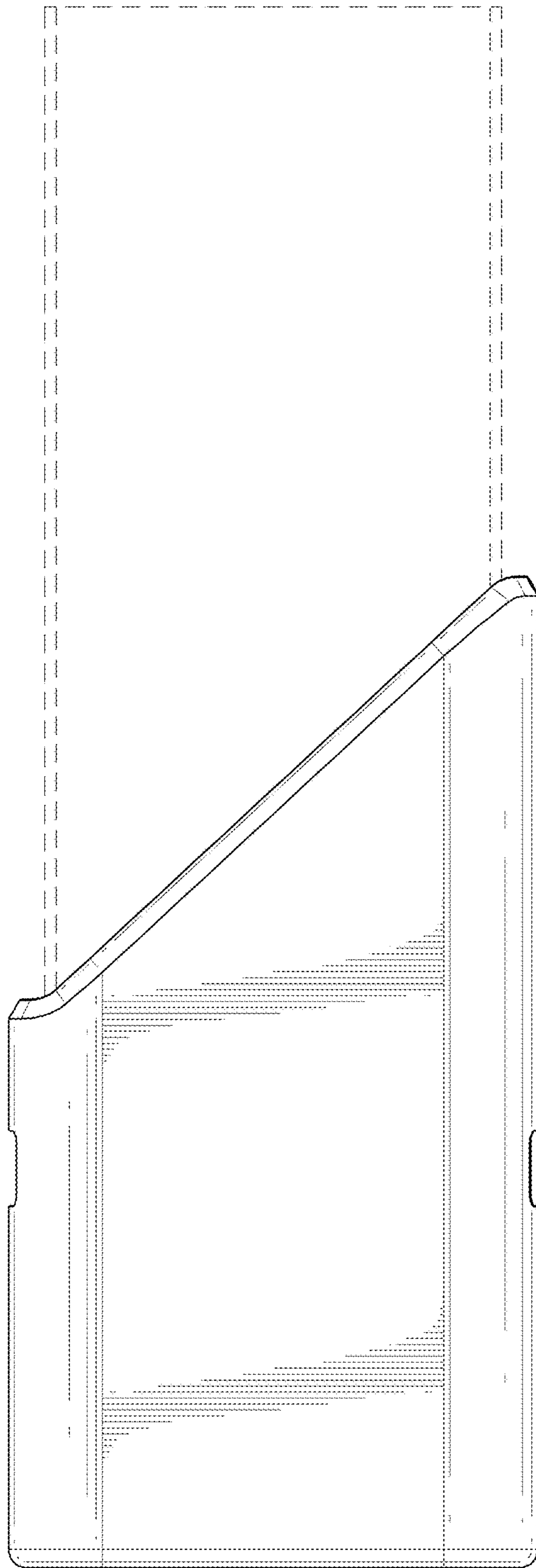


FIG.2

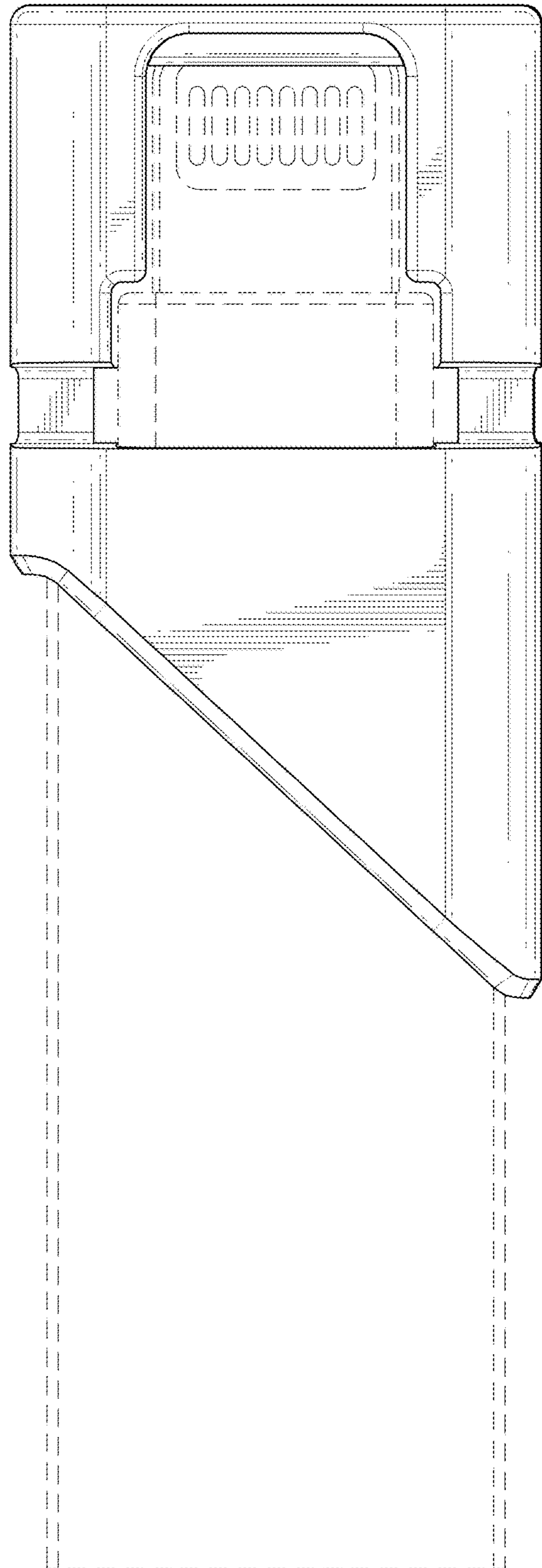


FIG.3

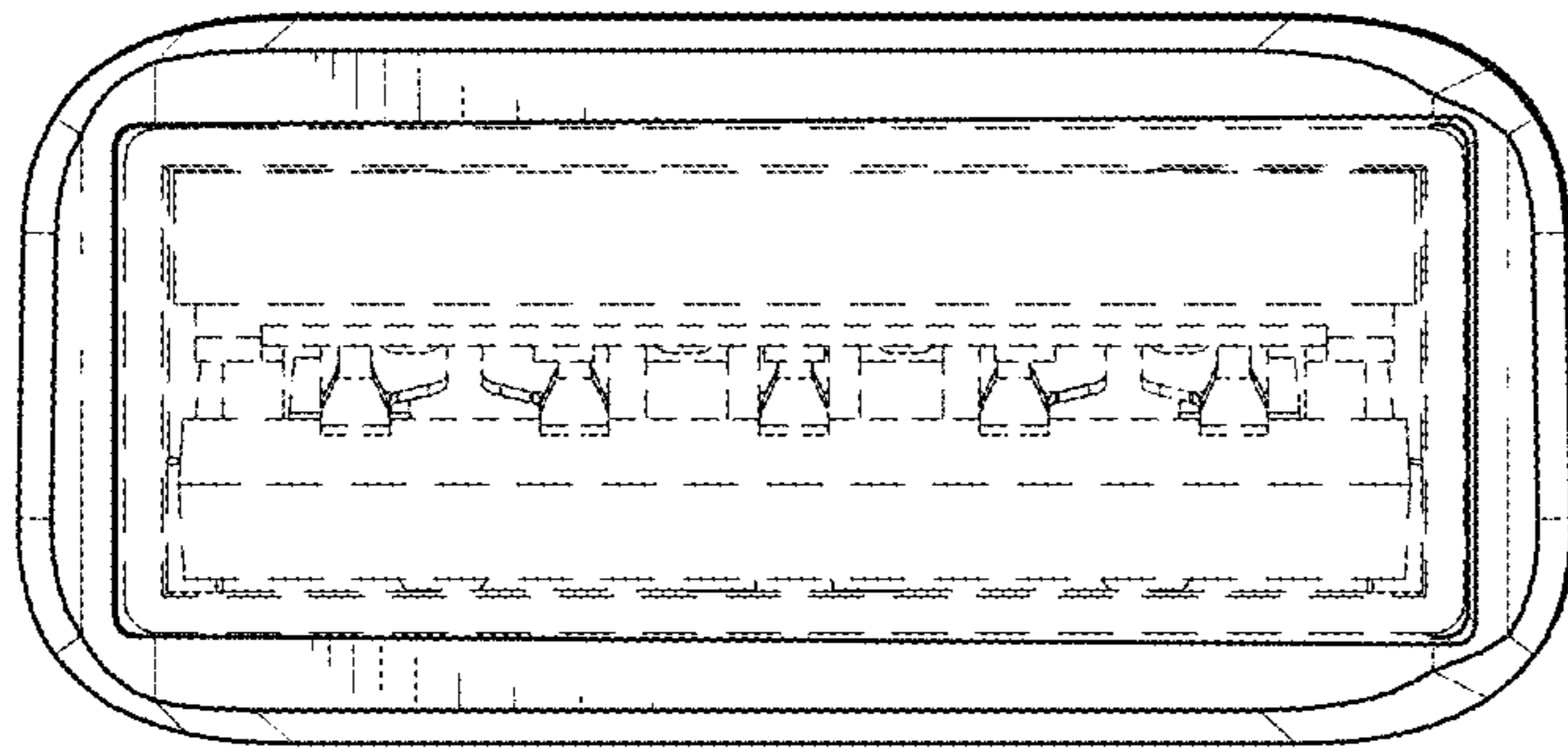


FIG. 5

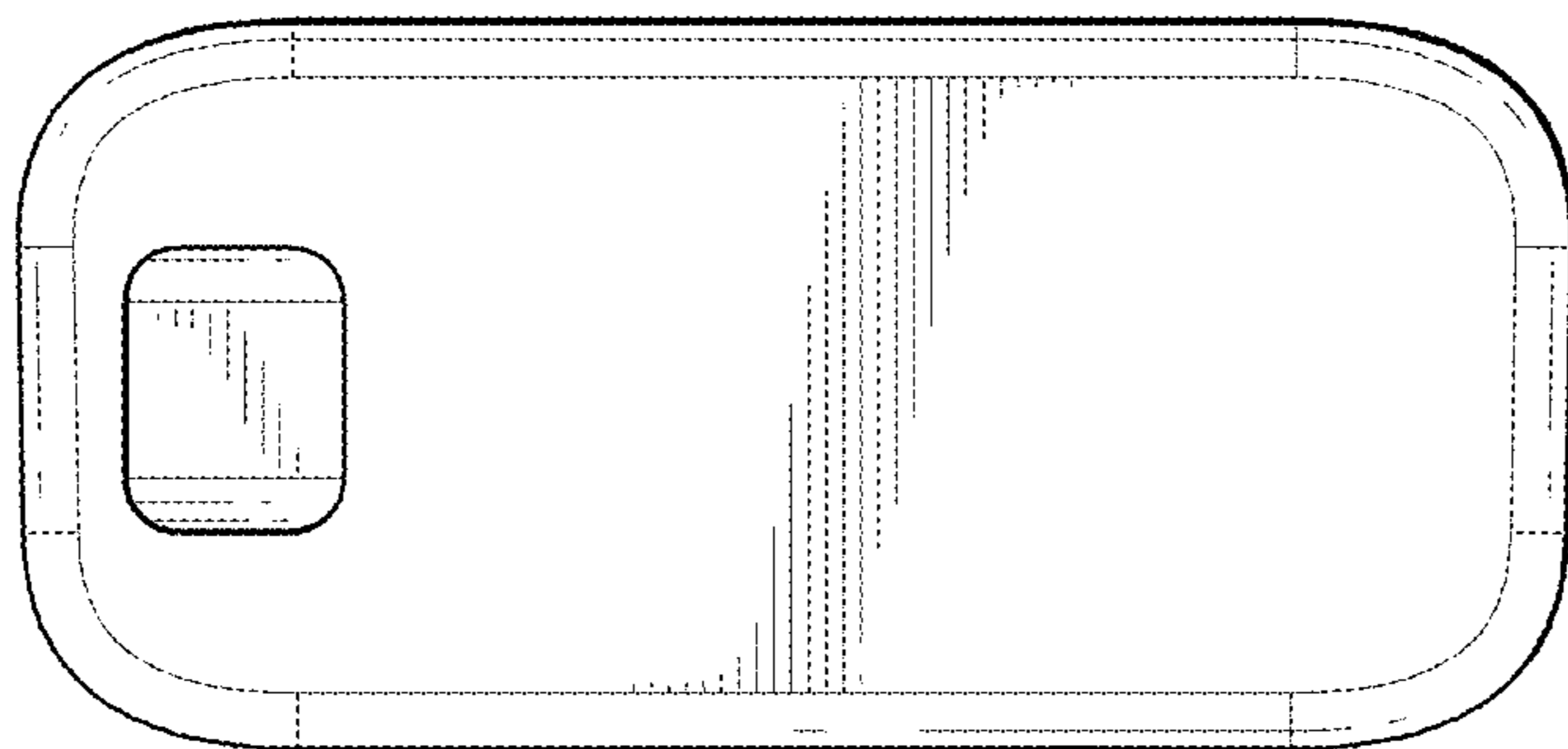


FIG. 4

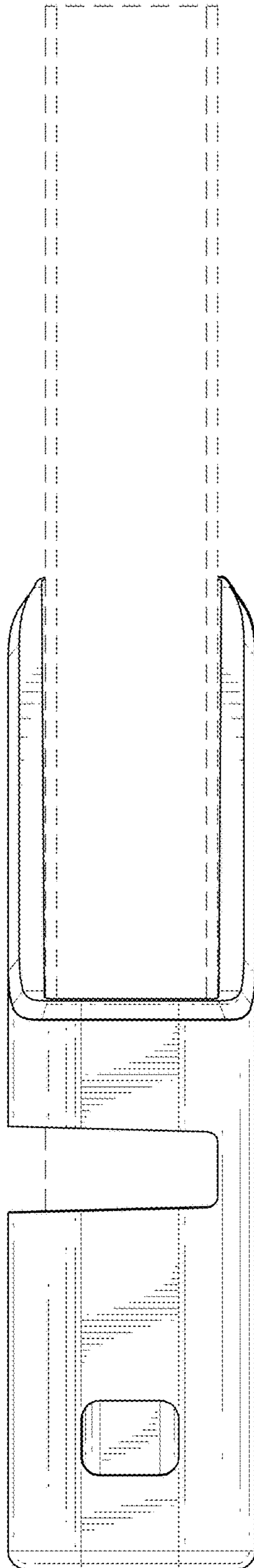


FIG.6

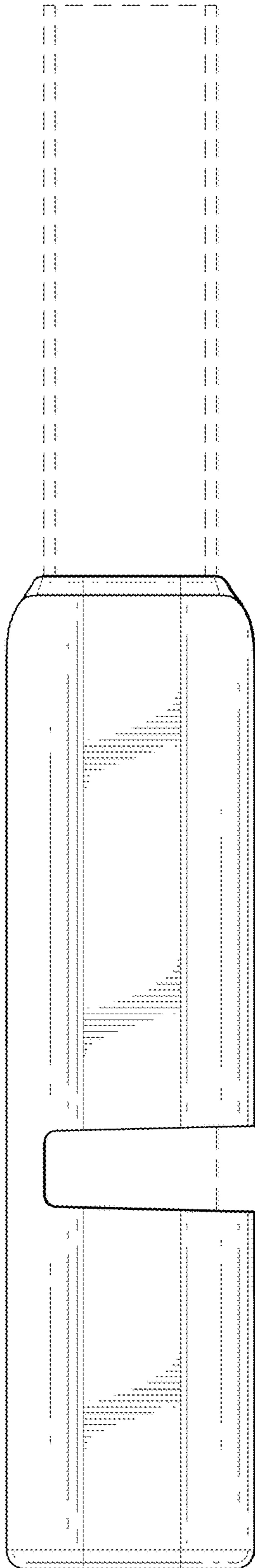


FIG.7

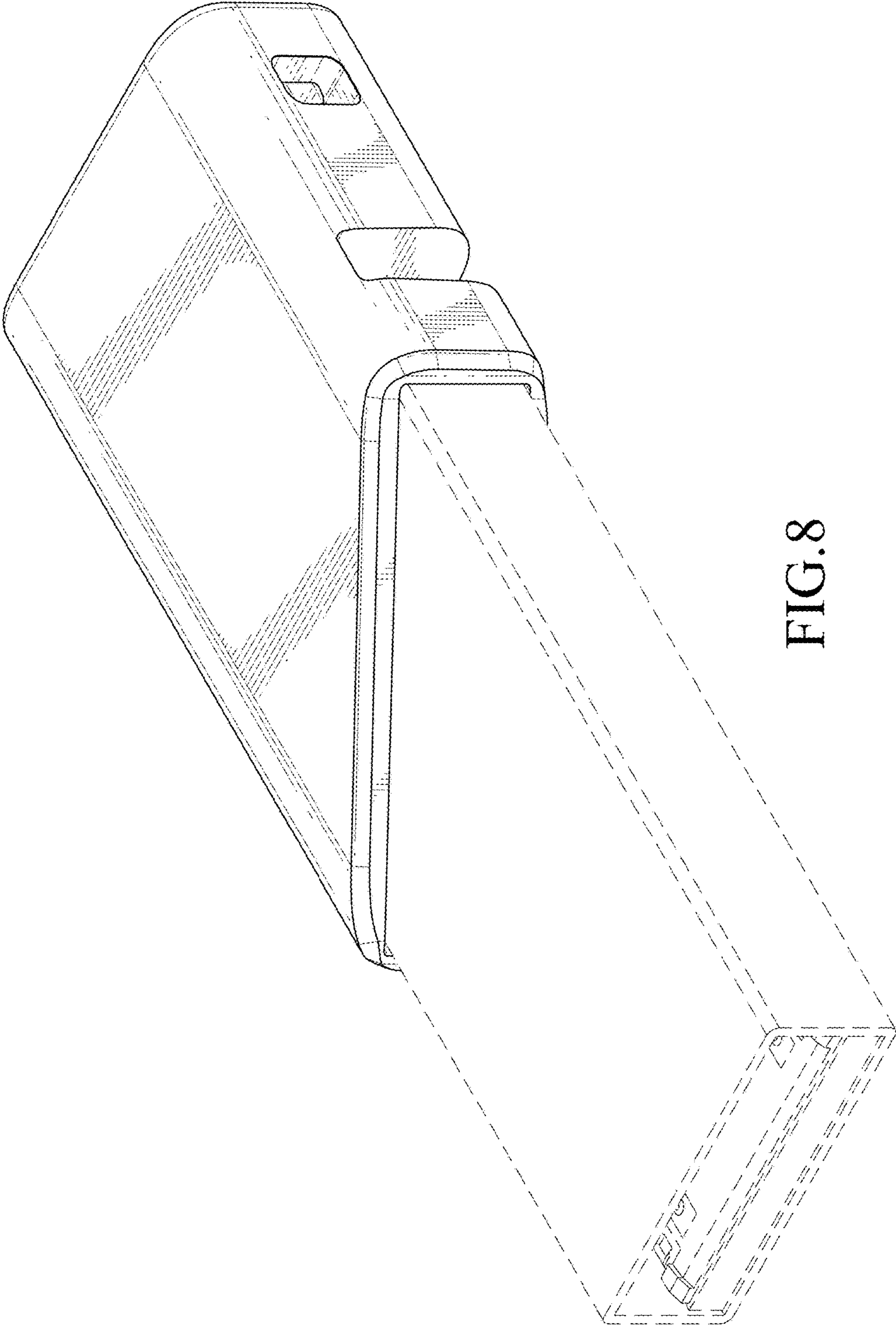


FIG. 8

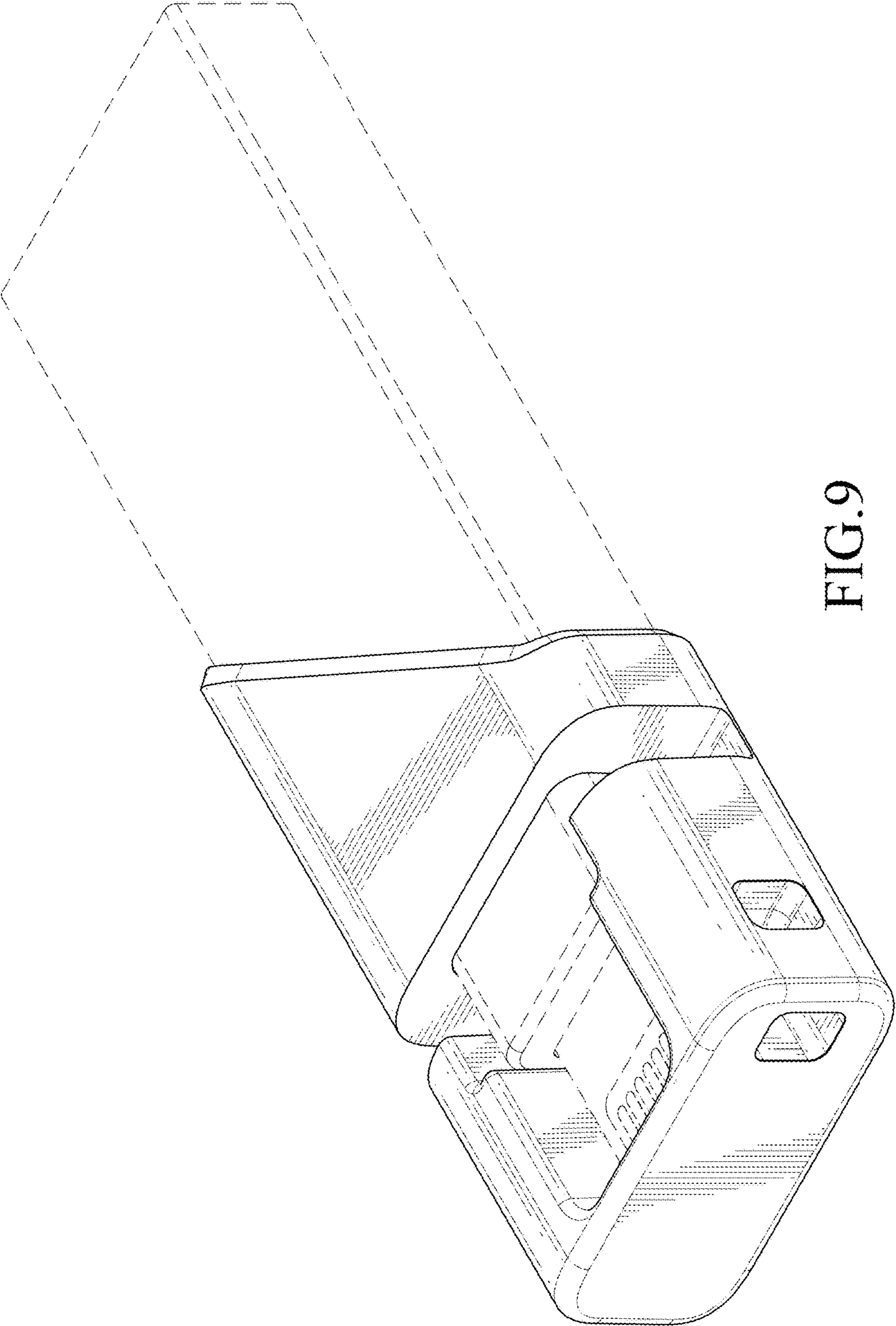


FIG. 9

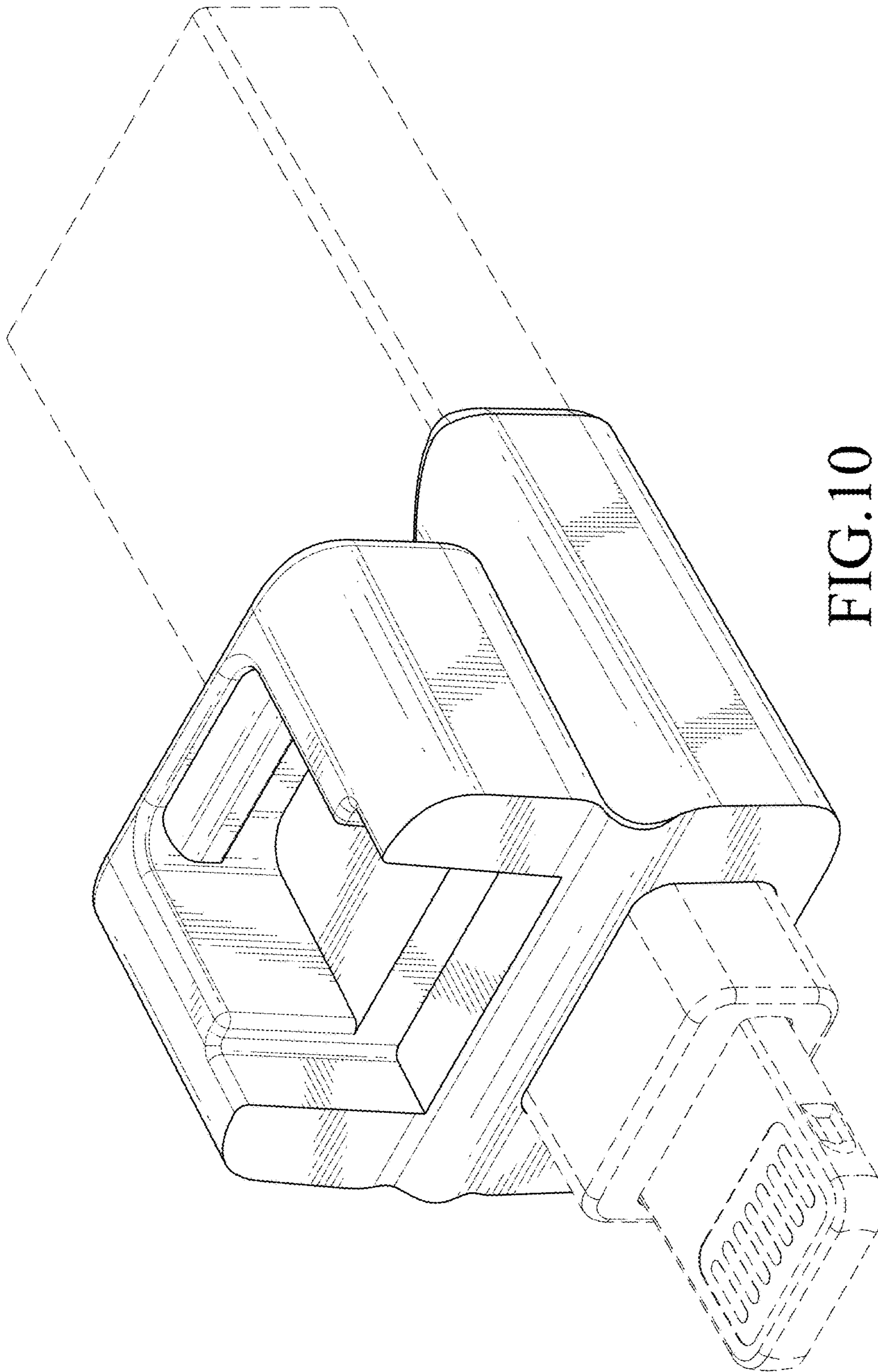


FIG.10