



US00D798880S

(12) **United States Design Patent** (10) **Patent No.:** **US D798,880 S**  
**Otsuka et al.** (45) **Date of Patent:** **\*\* Oct. 3, 2017**

(54) **RECORDING MEDIUM**

FOREIGN PATENT DOCUMENTS

(71) Applicant: **Kabushiki Kaisha Toshiba**, Minato-ku,  
Tokyo (JP)

CN D302901987 8/2014  
CN D302931327 9/2014

(Continued)

(72) Inventors: **Hitoshi Otsuka**, Yokohama (JP);  
**Ryusuke Kurimoto**, Tokyo (JP)

*Primary Examiner* — Angela J Lee

(74) *Attorney, Agent, or Firm* — Banner & Witcoff, Ltd.

(73) Assignee: **Kabushiki Kaisha Toshiba**, Tokyo (JP)

(\*\*) Term: **15 Years**

(57) **CLAIM**

(21) Appl. No.: **29/568,594**

The ornamental design for a recording medium, as shown and described.

(22) Filed: **Jun. 20, 2016**

(30) **Foreign Application Priority Data**

**DESCRIPTION**

Dec. 22, 2015 (JP) ..... 2015-028451

(51) **LOC (10) Cl.** ..... **14-03**

(52) **U.S. Cl.**  
USPC ..... **D14/480.3**

(58) **Field of Classification Search**  
USPC ..... D14/435.1, 480.1–480.7  
CPC ..... H05K 5/0278; G06K 19/07732  
See application file for complete search history.

FIG. 1 is a front, top and right side perspective view of a recording medium, showing our new design;  
FIG. 2 is a front, bottom and right side perspective view thereof;  
FIG. 3 is a front view thereof;  
FIG. 4 is a rear view thereof;  
FIG. 5 is a top view thereof;  
FIG. 6 is a bottom view thereof;  
FIG. 7 is a left side view thereof;  
FIG. 8 is a right side view thereof;  
FIG. 9 is a cross sectional view thereof, taken along line 9-9 in FIG. 5;  
FIG. 10 is a cross sectional view thereof, taken along line 10-10 in FIG. 3;  
FIG. 11 is a cross sectional view thereof, taken along the line 11-11 in FIG. 3;  
FIG. 12 is a perspective view 1 showing a state in which the terminal cover is rotated; and,  
FIG. 13 is a perspective view 2 showing a state in which the terminal cover is rotated.  
The broken lines shown in FIG. 9, FIG. 10 and FIG. 11 are for environmental purposes only and form no part of the claimed design.

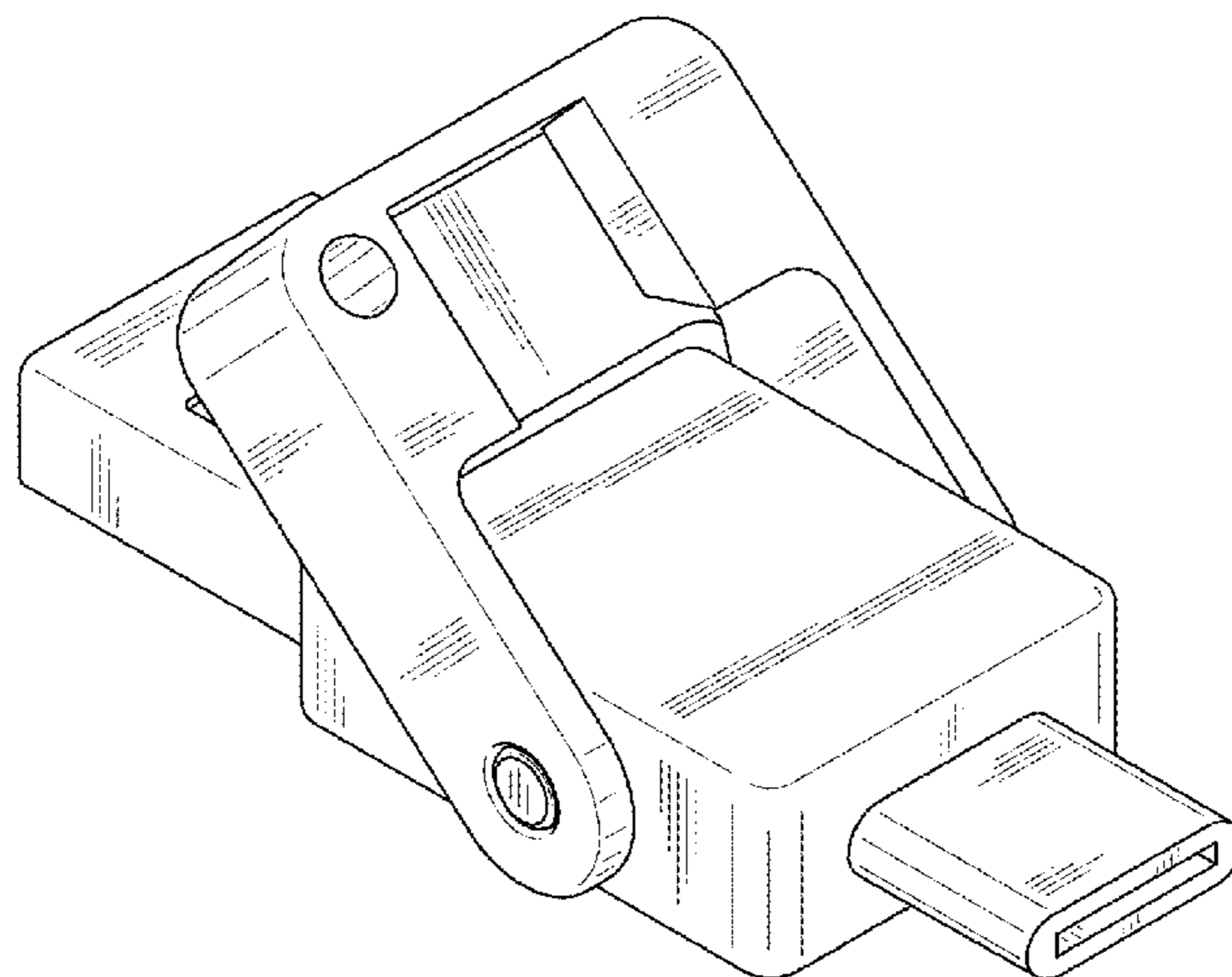
(56) **References Cited**

U.S. PATENT DOCUMENTS

D579,933 S 11/2008 Deguchi  
D580,434 S \* 11/2008 Kim ..... H05K 5/0278  
D14/385  
D594,871 S \* 6/2009 Ma ..... D14/480.6  
D622,278 S \* 8/2010 Ma ..... D14/480.6  
D667,832 S 9/2012 Zhou  
D668,664 S \* 10/2012 Zhou ..... D14/480.6  
D685,807 S \* 7/2013 Billington ..... D14/480.5  
D705,235 S \* 5/2014 Slemp ..... D14/480.6  
D712,414 S \* 9/2014 Tsai ..... D14/480.6  
D721,714 S \* 1/2015 Enayati ..... D14/480.6  
D725,124 S \* 3/2015 Lin ..... D14/480.6  
D749,600 S \* 2/2016 Emami ..... D14/480.6

(Continued)

**1 Claim, 5 Drawing Sheets**



(56)

**References Cited**

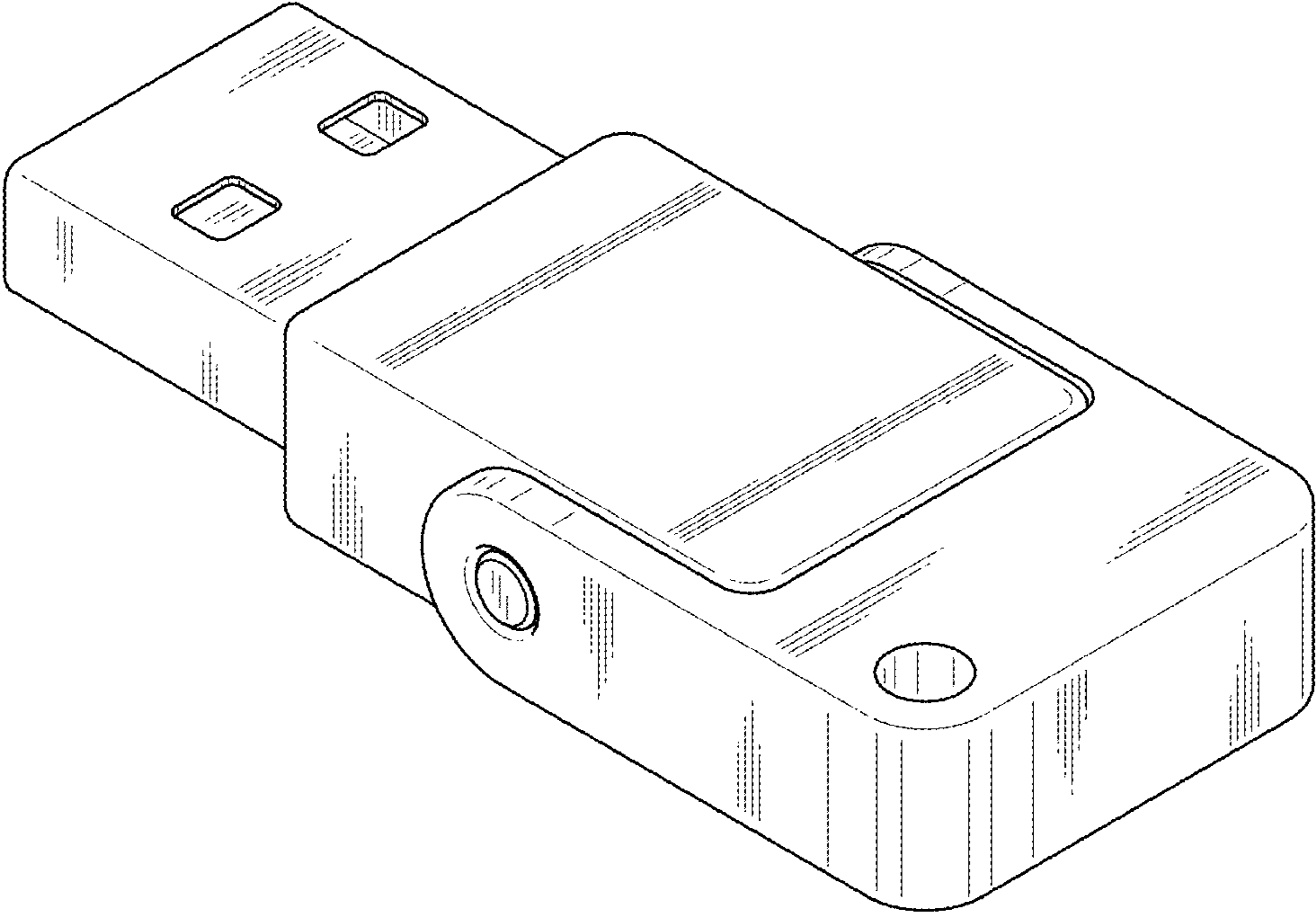
U.S. PATENT DOCUMENTS

D754,141 S \* 4/2016 Billington ..... D14/480.6  
2011/0237099 A1\* 9/2011 Ni ..... G06K 19/07732  
439/142  
2015/0109725 A1\* 4/2015 Lin ..... H05K 5/0217  
361/679.31

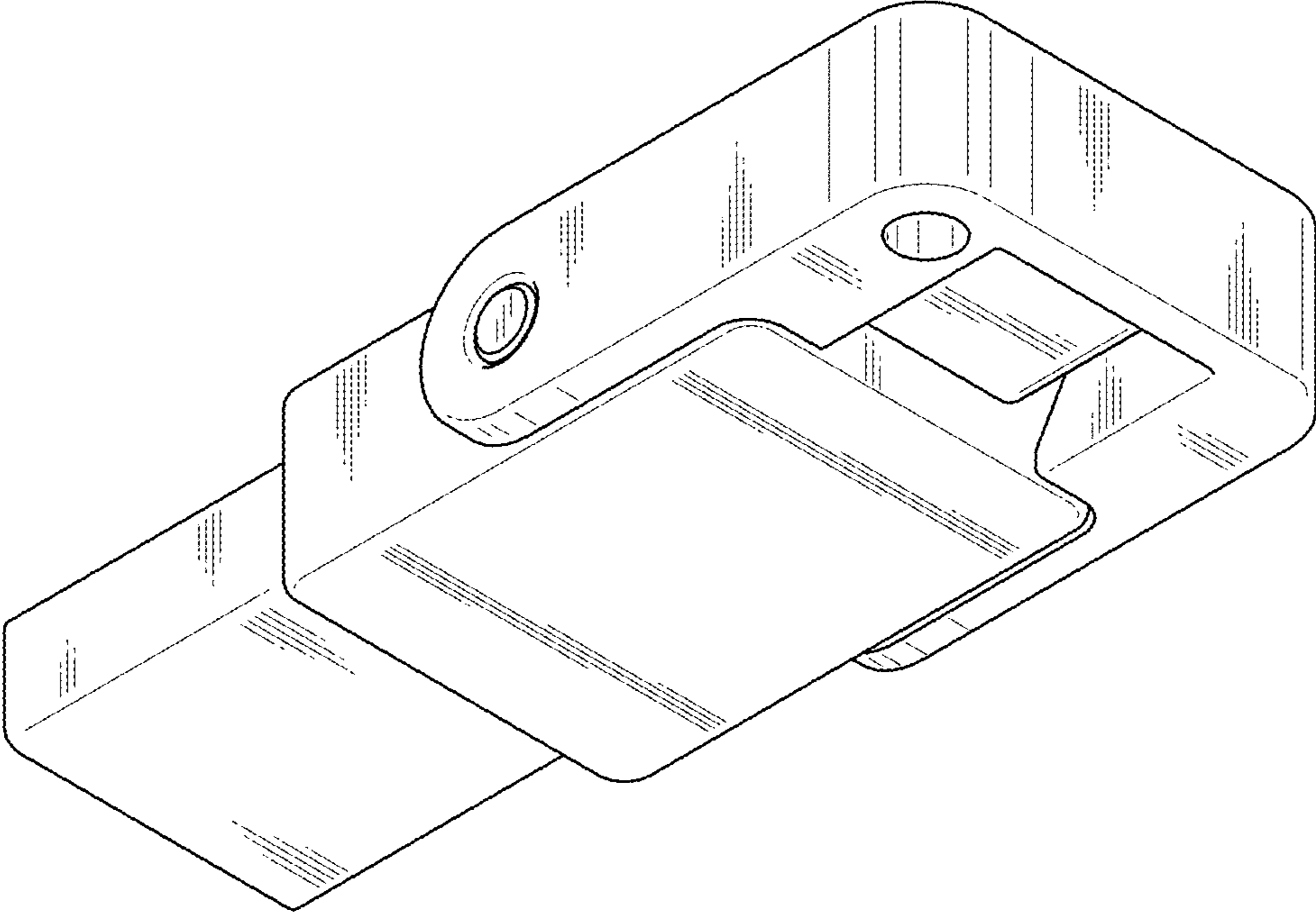
FOREIGN PATENT DOCUMENTS

CN D303059328 12/2014  
JP D1276282 7/2006

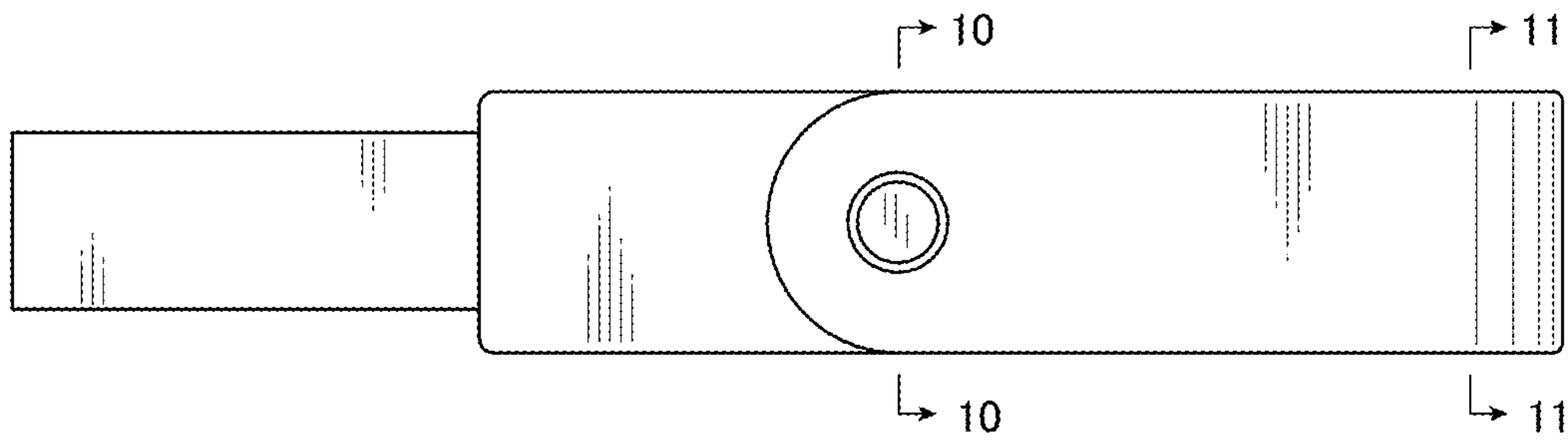
\* cited by examiner



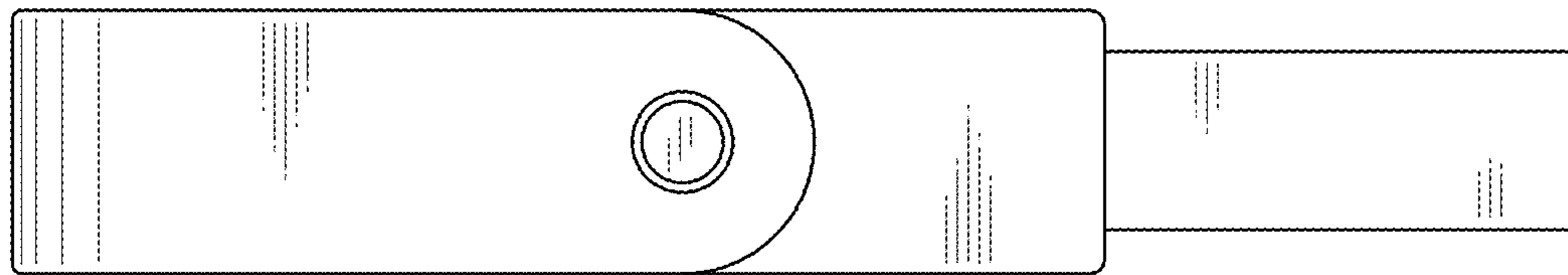
*Fig. 1*



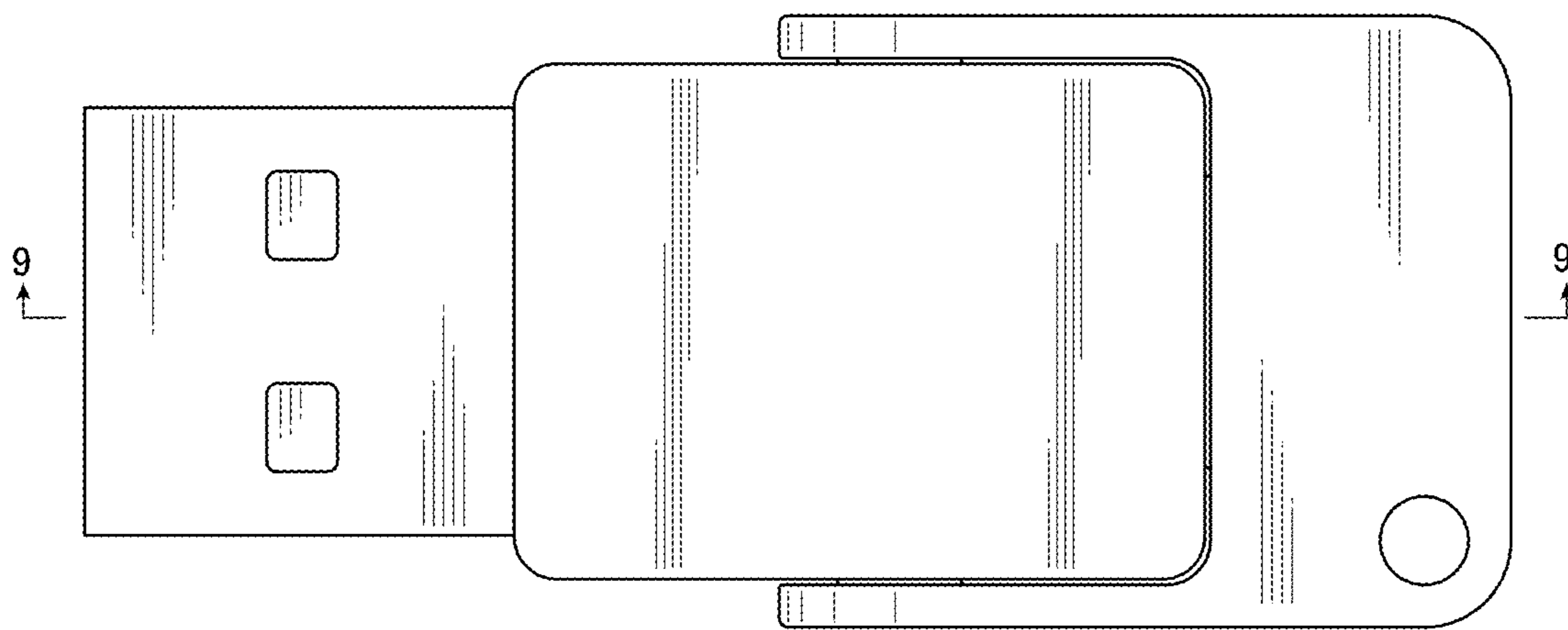
*Fig. 2*



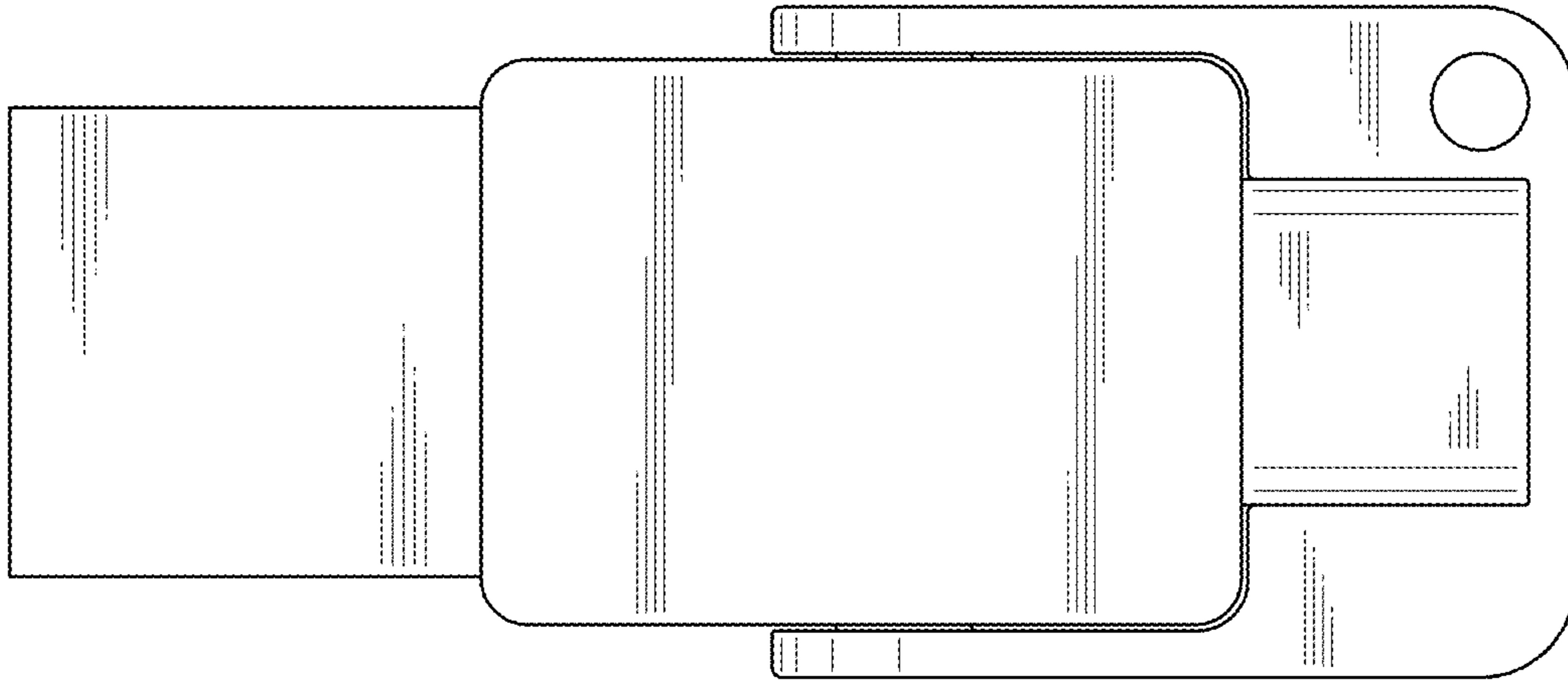
*Fig. 3*



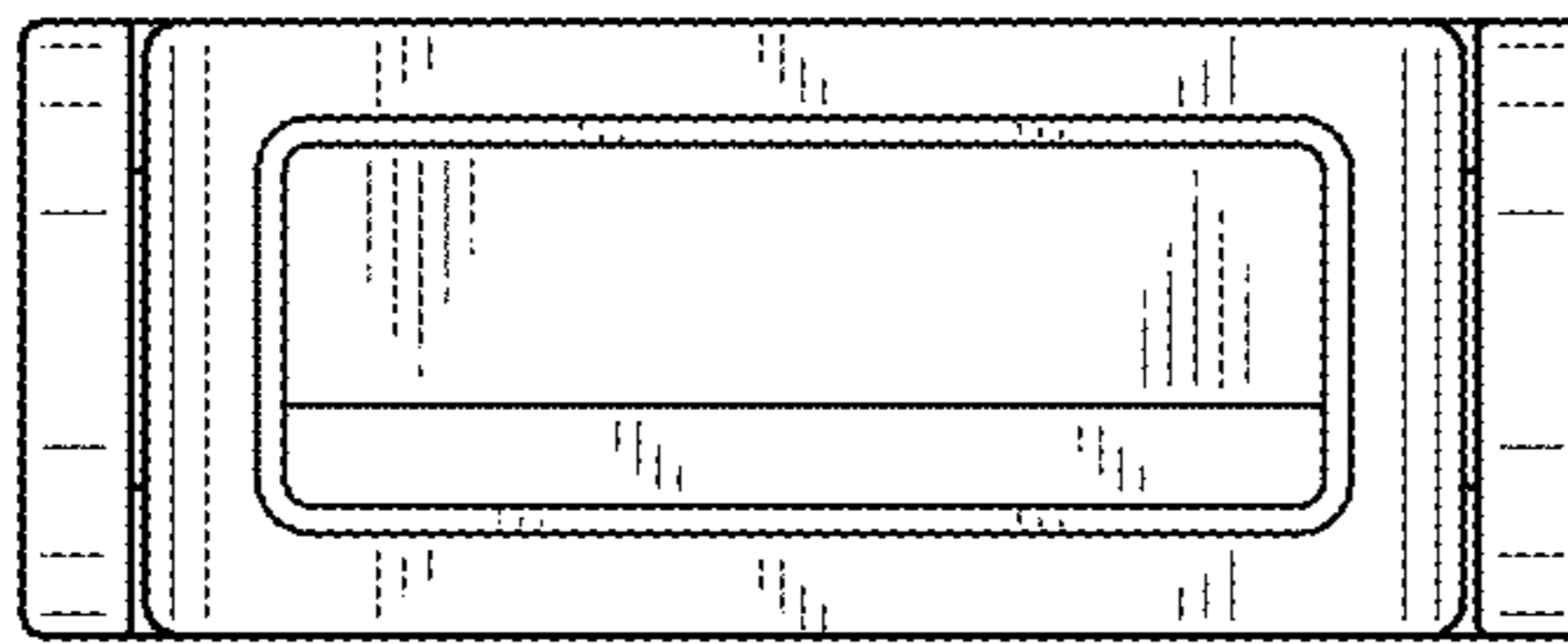
*Fig. 4*



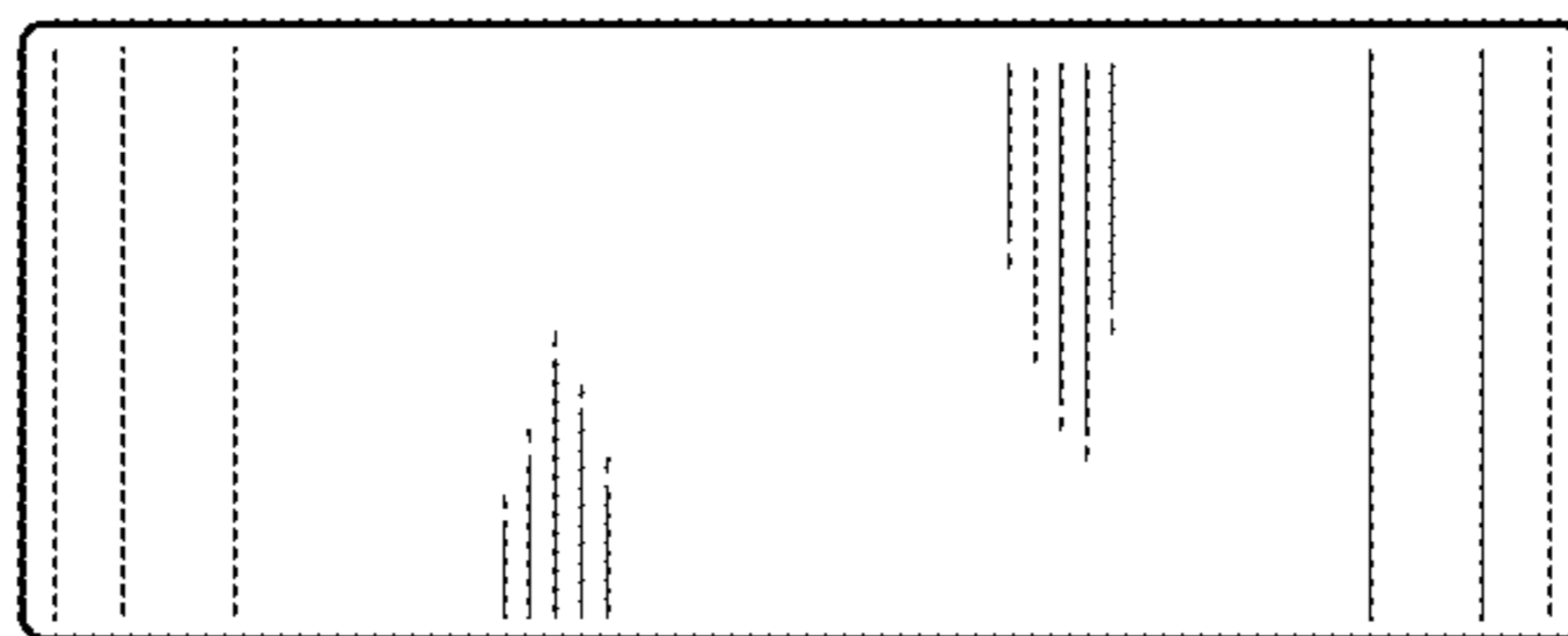
*Fig. 5*



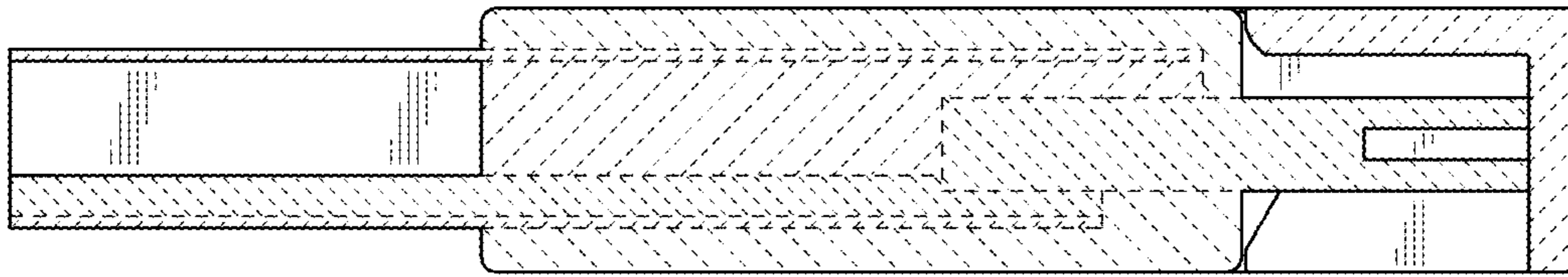
*Fig. 6*



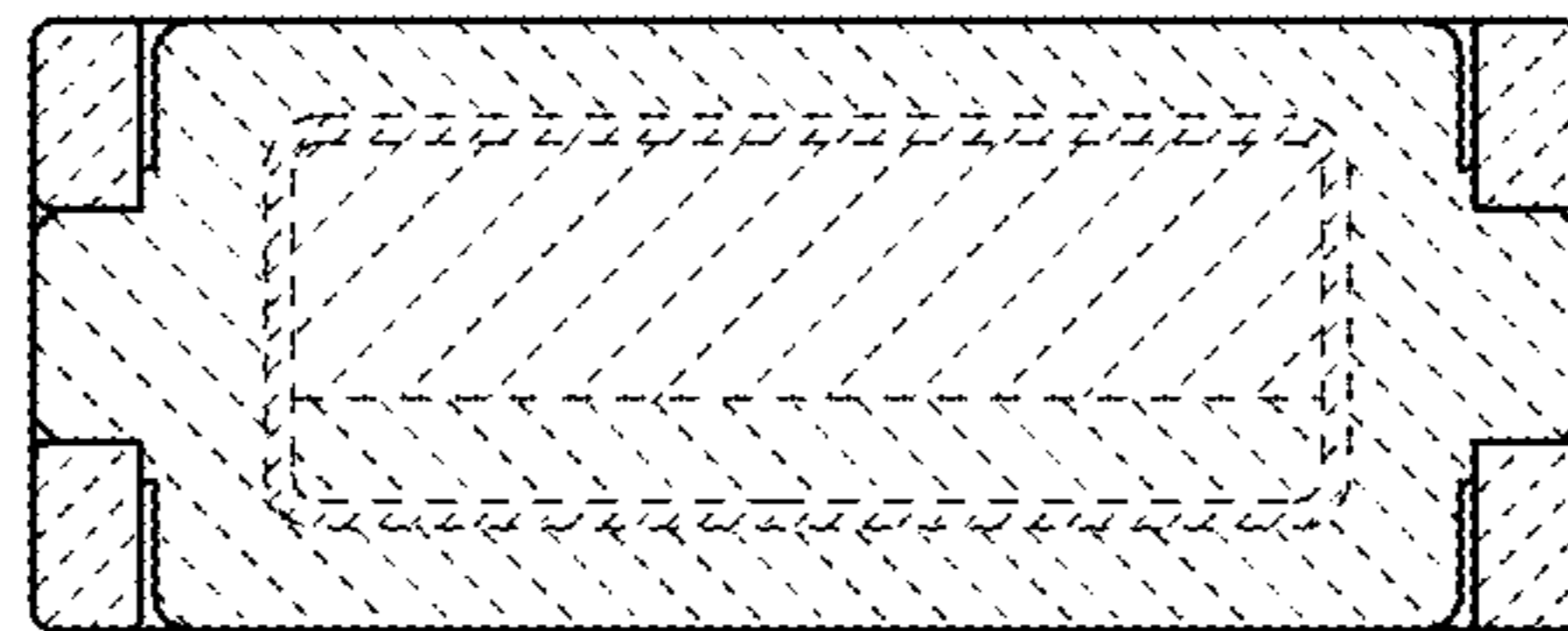
*Fig. 7*



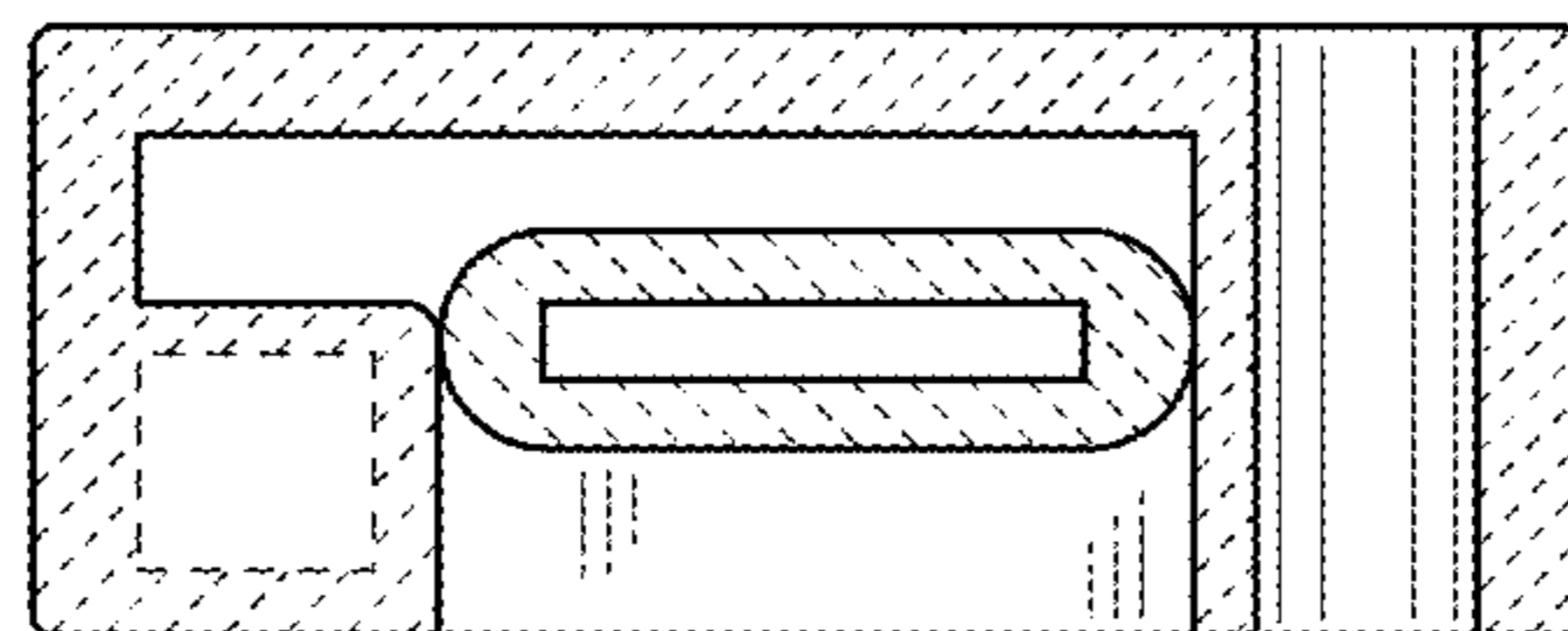
*Fig. 8*



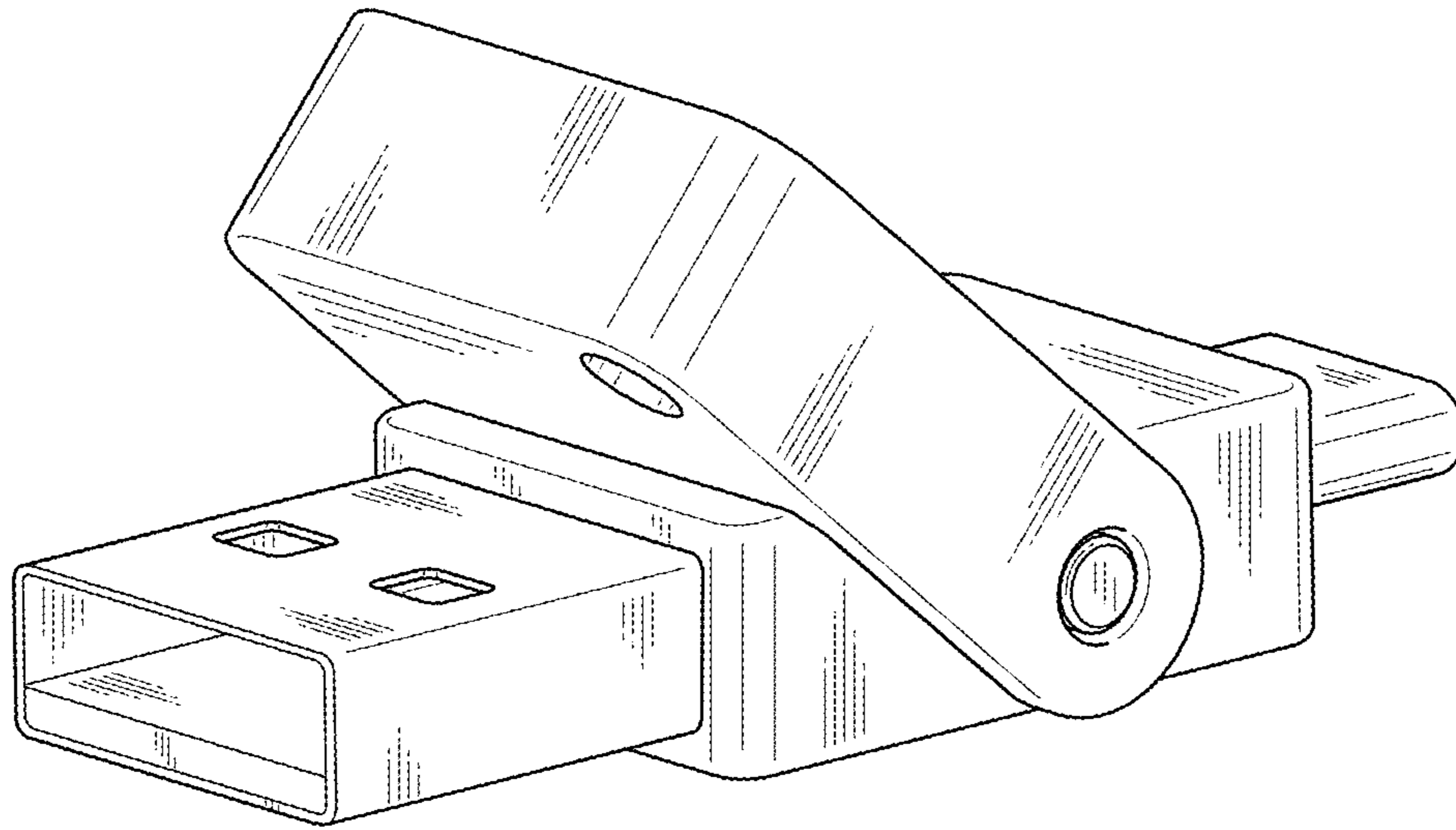
*Fig. 9*



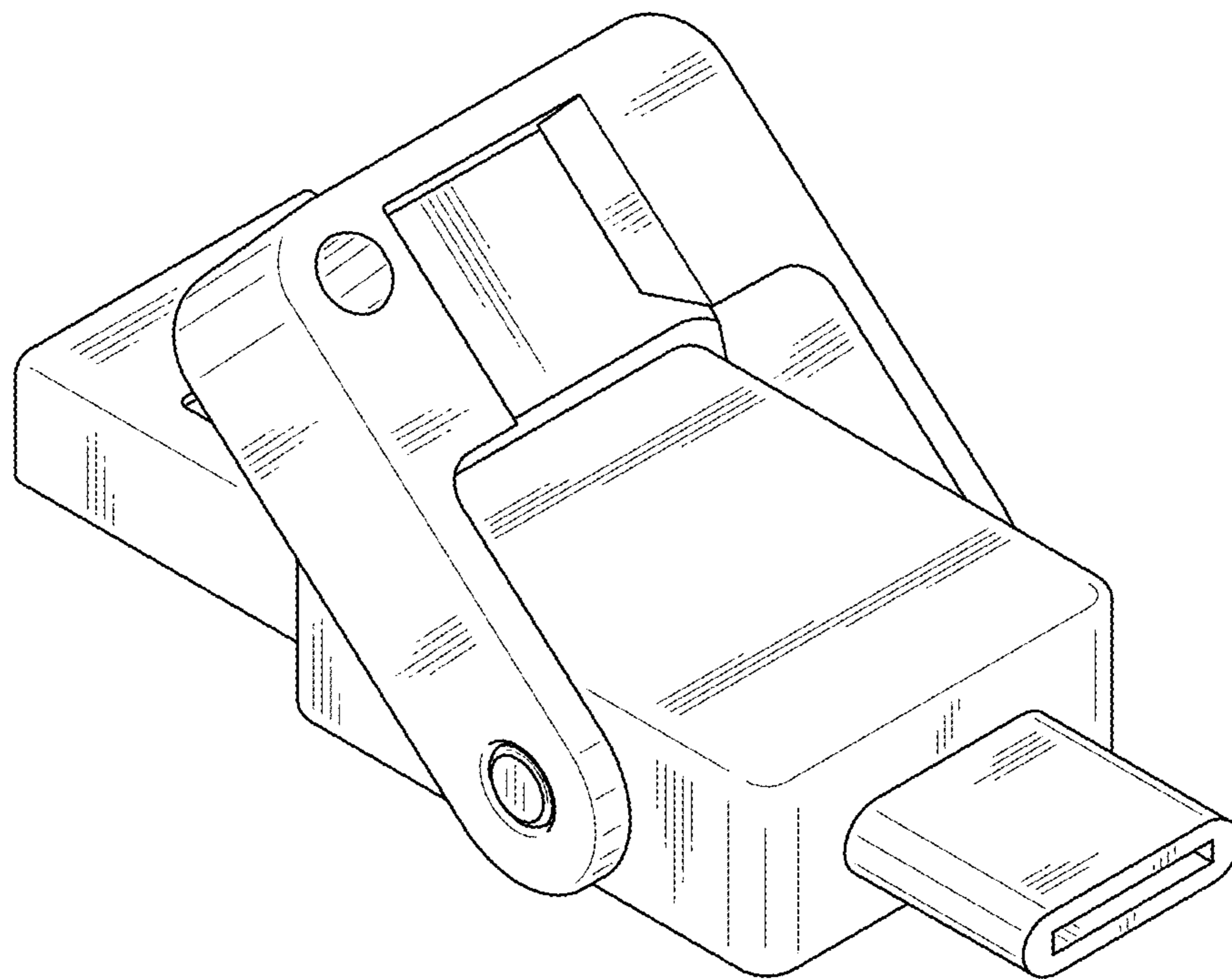
*Fig. 10*



*Fig. 11*



*Fig.12*



*Fig.13*