



US00D798874S

(12) **United States Design Patent** (10) **Patent No.:** **US D798,874 S**
Klabukov et al. (45) **Date of Patent:** **** Oct. 3, 2017**

(54) **ACCESSORY FOR SUPPORTING MOBILE DEVICES AND DISPLAYING INFORMATION**

(71) Applicant: **RIT INNOVATIONS, LLC**, Izhevsk (RU)

(72) Inventors: **Ivan A. Klabukov**, Izhevsk (RU); **Alexey A. Ostanin**, Iyulskoye village (RU); **Mikhail V. Sannikov**, Izhevsk (RU); **Aleksandr S. Sukhikh**, Votkins (RU)

(73) Assignee: **RIT Innovations**, Izhevsk (RU)

(**) Term: **15 Years**

(21) Appl. No.: **29/602,759**

(22) Filed: **May 3, 2017**

Related U.S. Application Data

(62) Division of application No. 29/562,563, filed on Apr. 27, 2016, now Pat. No. Des. 786,259.

(30) **Foreign Application Priority Data**

Apr. 5, 2016 (RU) 2016501237

(51) **LOC (10) Cl.** **08-07**

(52) **U.S. Cl.**
USPC **D14/447**

(58) **Field of Classification Search**
USPC D14/447, 432, 434, 439, 440, 451, 452, D14/457, 239; D8/363, 373, 380; D6/406.3, 406.4, 406.5, 406.6; D12/415
(Continued)

(56) **References Cited**

U.S. PATENT DOCUMENTS

D533,558 S * 12/2006 Elkhuizen D14/447
D589,964 S * 4/2009 Heggland D14/434
(Continued)

FOREIGN PATENT DOCUMENTS

CN 303648074 4/2016
KR 3007692890000 11/2014

(Continued)

Primary Examiner — Angela J Lee

(74) *Attorney, Agent, or Firm* — Georgiy L. Khayet

(57) **CLAIM**

The ornamental design for an accessory for supporting mobile devices and displaying information, as shown and described.

DESCRIPTION

FIG. 1 is a front view of a first embodiment of an accessory for supporting mobile devices and displaying information showing the new design.

FIG. 2 is a front view of the first embodiment of the accessory for supporting mobile devices and displaying information showing a screen in a folded position.

FIG. 3 is a rear view of the first embodiment of the accessory for supporting mobile devices and displaying information showing the screen in an open position.

FIG. 4 is a rear view of the first embodiment of the accessory for supporting mobile devices and displaying information showing the screen in a folded position.

FIG. 5 is a top perspective view of the first embodiment of the accessory for supporting mobile devices and displaying information showing the screen in an open position and a recess on a supporting surface.

FIG. 6 is a top perspective view of the first embodiment of the accessory for supporting mobile devices and displaying information showing the screen in a folded position.

FIG. 7 is a bottom perspective view of the first embodiment of the accessory for supporting mobile devices and displaying information showing the screen in an open position;

FIG. 8 is a bottom perspective view of the first embodiment of an accessory for supporting mobile devices and displaying information showing the screen in a folded position.

(Continued)

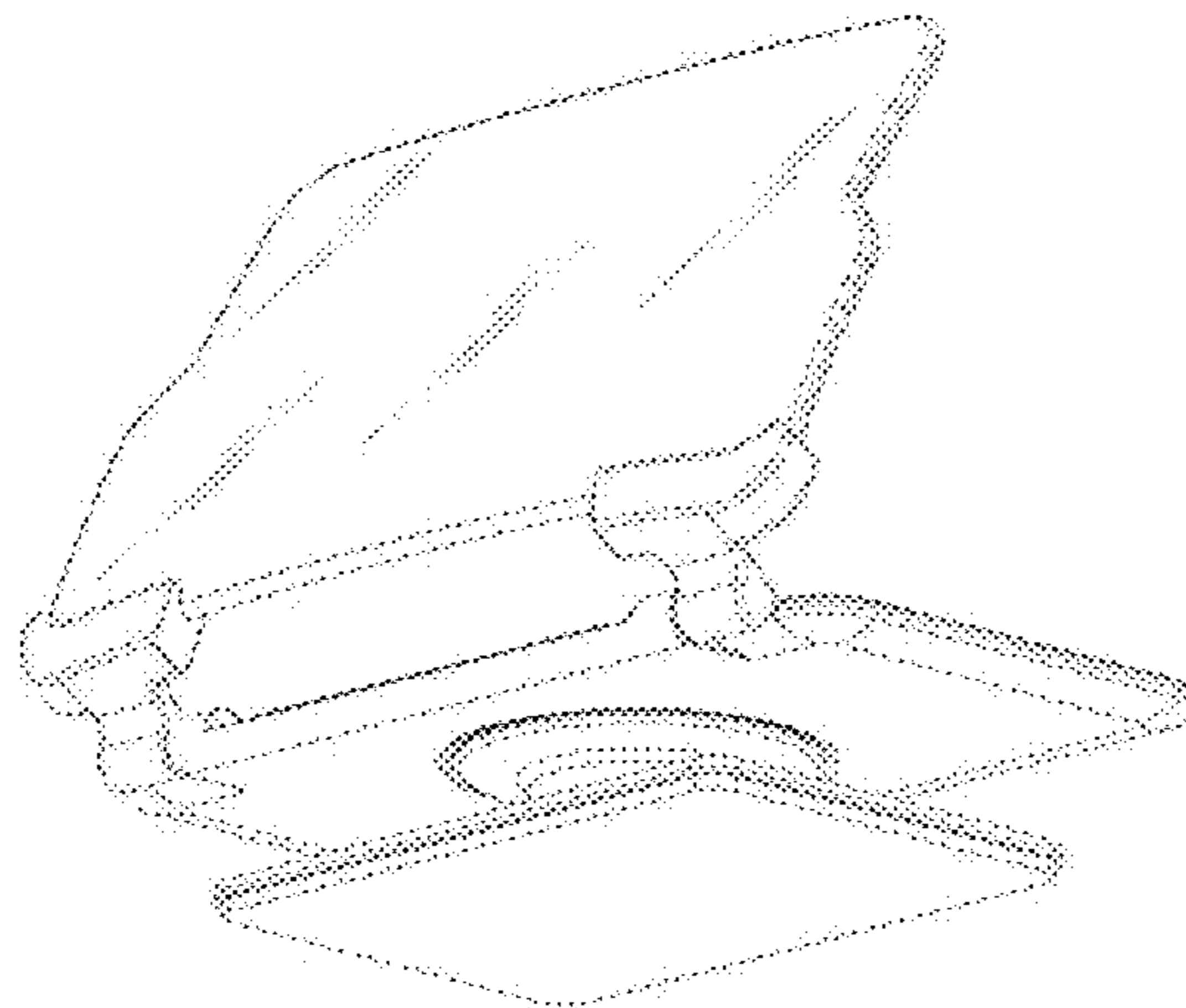


FIG. 9 is a front view of a second embodiment of an accessory for supporting mobile devices and displaying information showing the new design.

FIG. 10 is a front view of the second embodiment of the accessory for supporting mobile devices and displaying information showing a screen in a folded position;

FIG. 11 is a rear view of the second embodiment of the accessory for supporting mobile devices and displaying information showing the screen in an open position.

FIG. 12 is a rear view of the second embodiment of the accessory for supporting mobile devices and displaying information showing the screen in a folded position.

FIG. 13 is a top perspective view of the second embodiment of the accessory for supporting mobile devices and displaying information showing the screen in an open position.

FIG. 14 is a top perspective view of the second embodiment of the accessory for supporting mobile devices and displaying information showing the screen in a folded position.

FIG. 15 is a bottom perspective view of the second embodiment of the accessory for supporting mobile devices and displaying information showing the screen in an open position; and,

FIG. 16 is a bottom perspective view of the second embodiment of the accessory for supporting mobile devices and displaying information showing the screen in a folded position.

1 Claim, 16 Drawing Sheets

(58) **Field of Classification Search**

CPC A47B 21/04; A47B 2097/006; A47B
2097/005; A47B 2023/049; A45C
2011/002; A45C 2011/003; F16M
2200/00; F16M 13/00

See application file for complete search history.

(56) **References Cited**

U.S. PATENT DOCUMENTS

D619,139	S	*	7/2010	Ho	D14/447
D644,230	S	*	8/2011	Lin	D14/447
D662,938	S	*	7/2012	Marshall	D14/434
D676,449	S	*	2/2013	Probst	D14/440
D678,297	S	*	3/2013	Willkomm	D14/447
D678,886	S	*	3/2013	Heckler	D14/447
D725,693	S		3/2015	Lenz et al.	
D784,355	S	*	4/2017	Hsu	D14/447
D784,996	S	*	4/2017	Fafard	D14/447
D786,259	S	*	5/2017	Klabukov	D14/447

FOREIGN PATENT DOCUMENTS

KR	3007692900000	11/2014
KR	3007840820000	2/2015
KR	3008186180000	10/2015

* cited by examiner

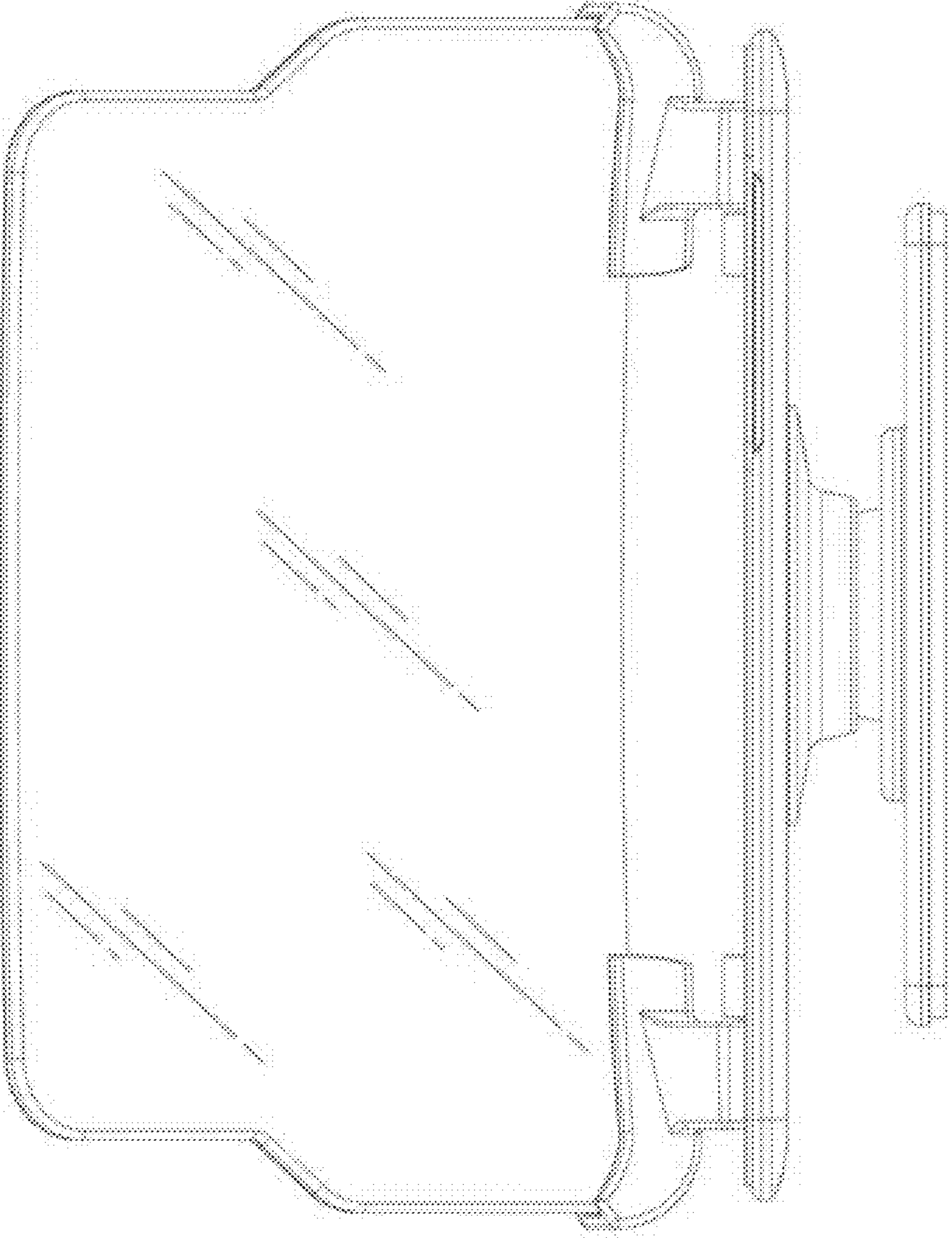


FIG. 1

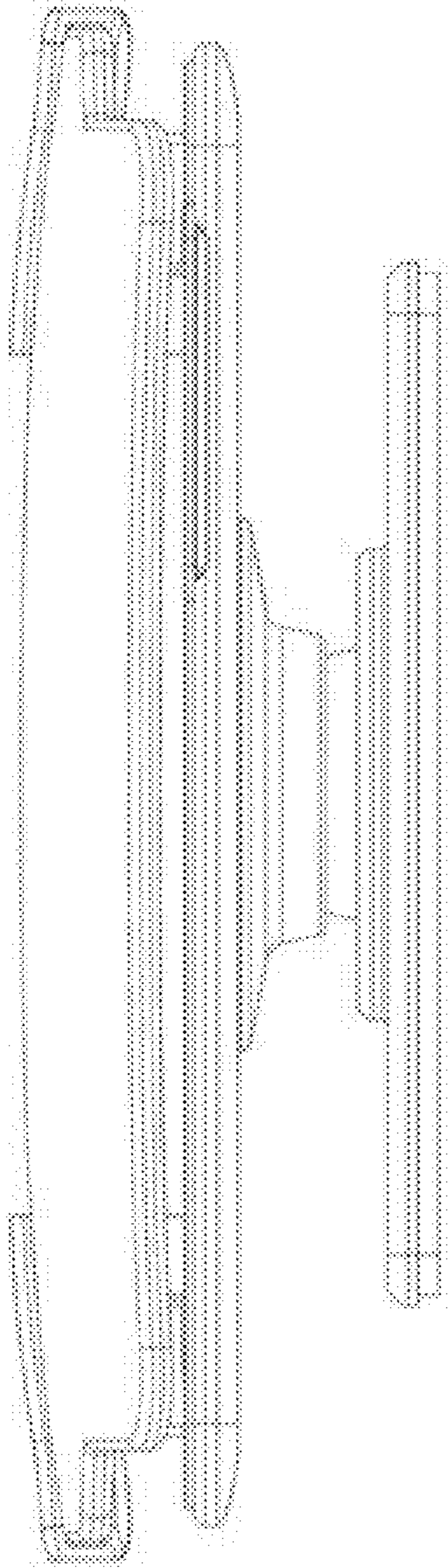


FIG. 2

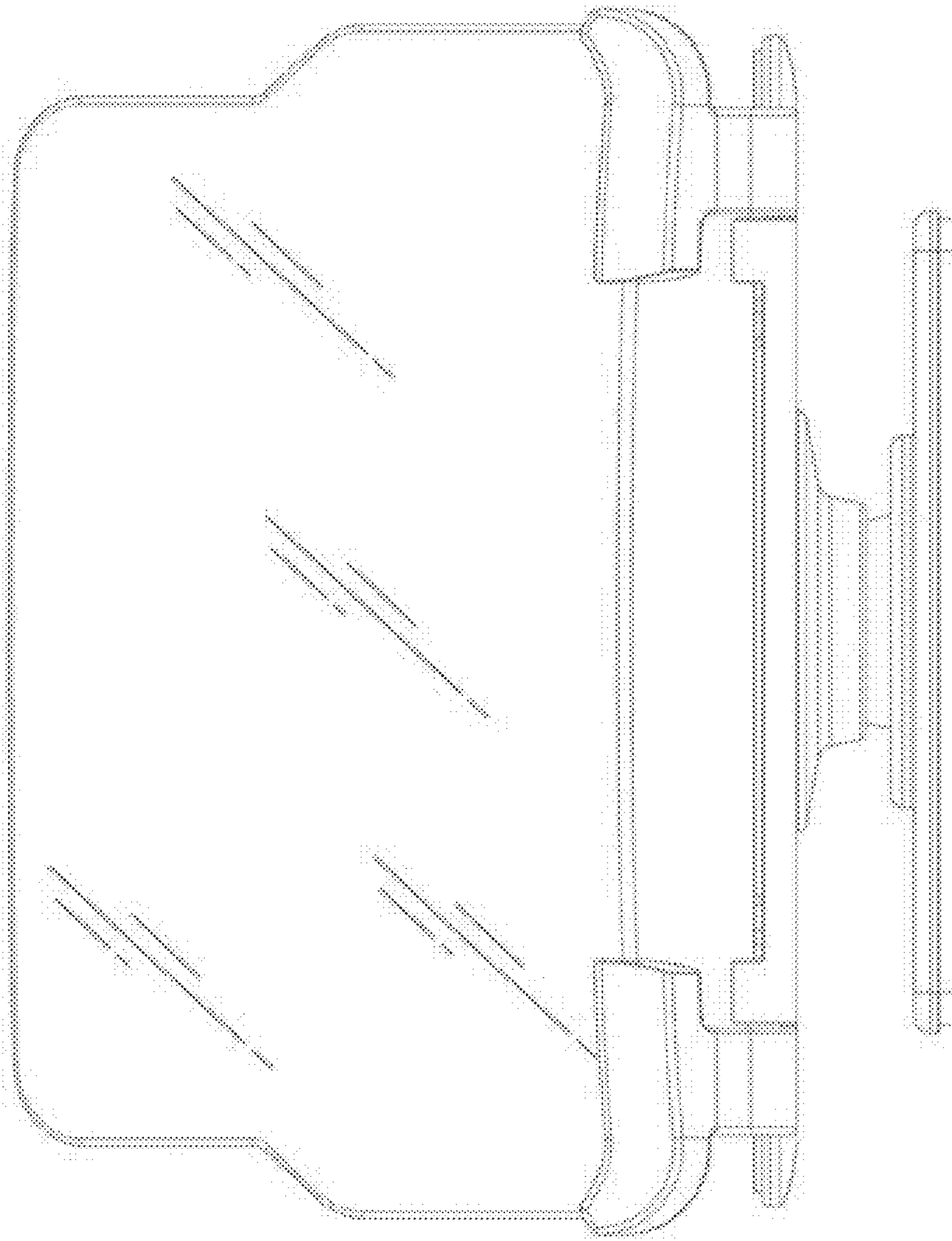


FIG. 3

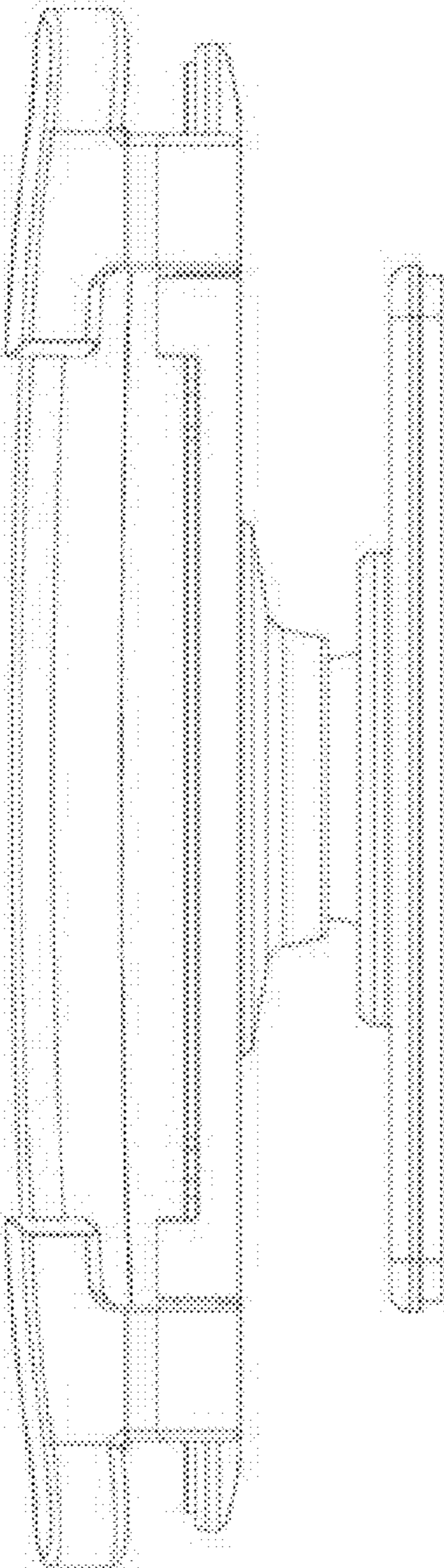


FIG. 4

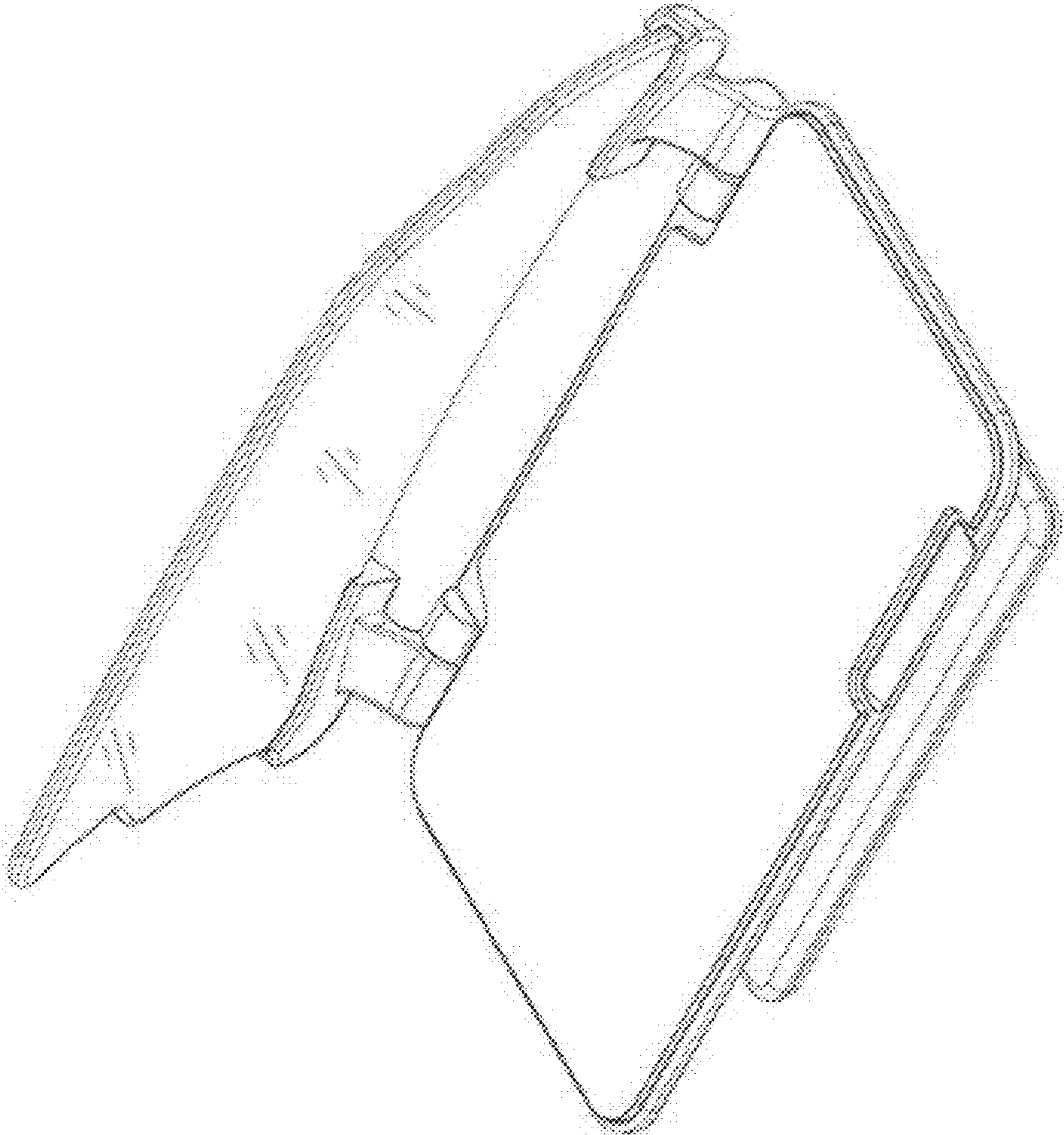


FIG. 5

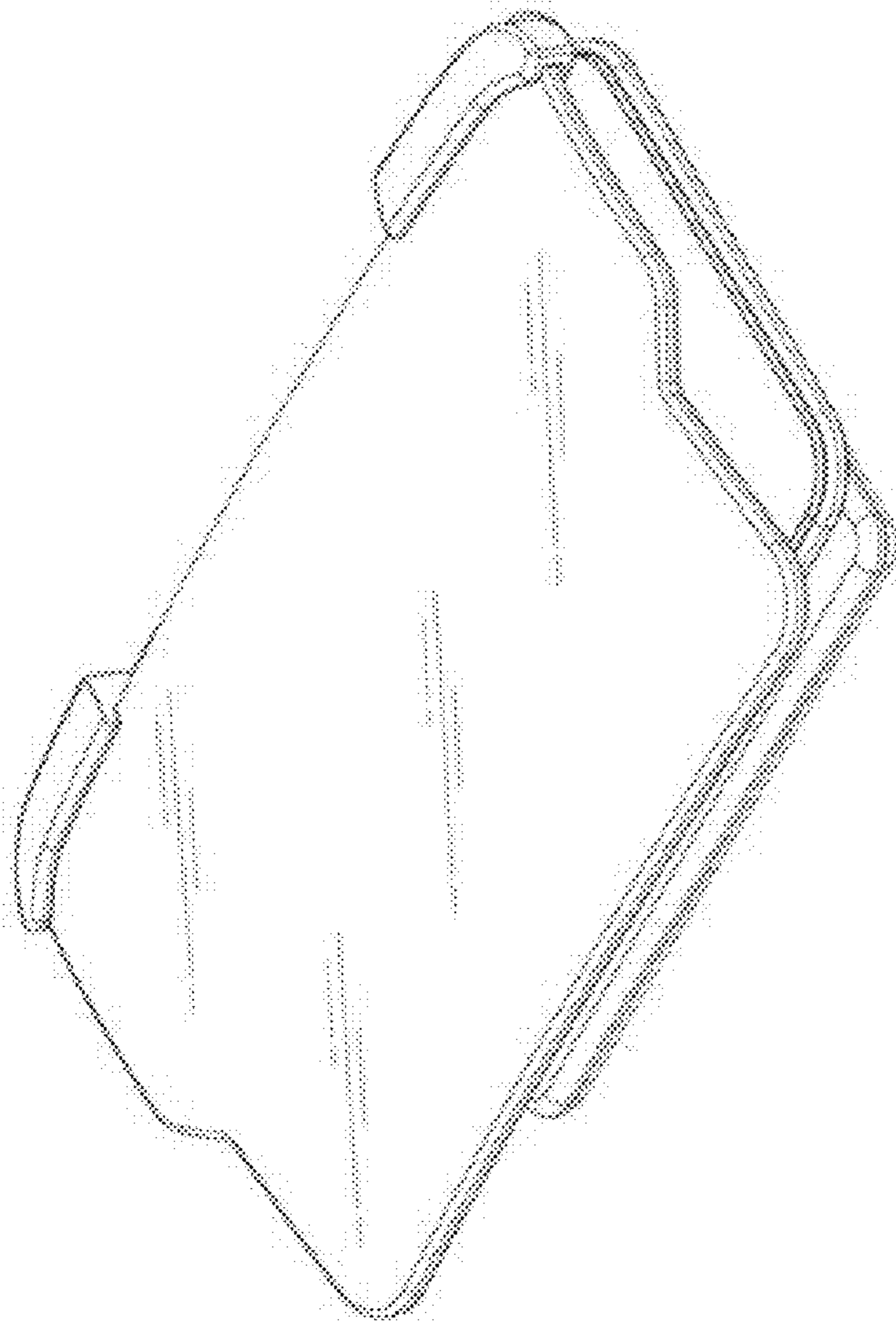


FIG. 6

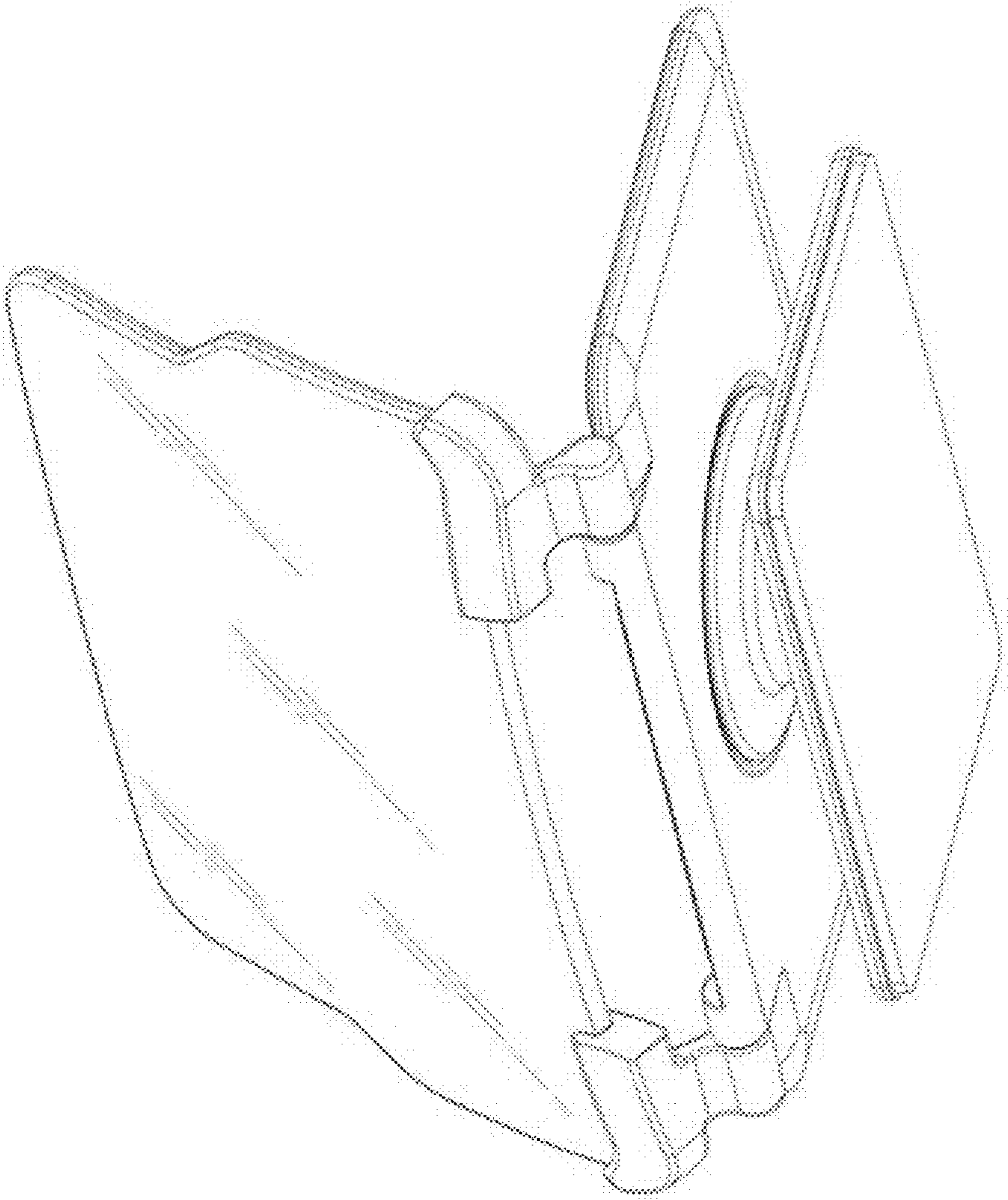


FIG. 7

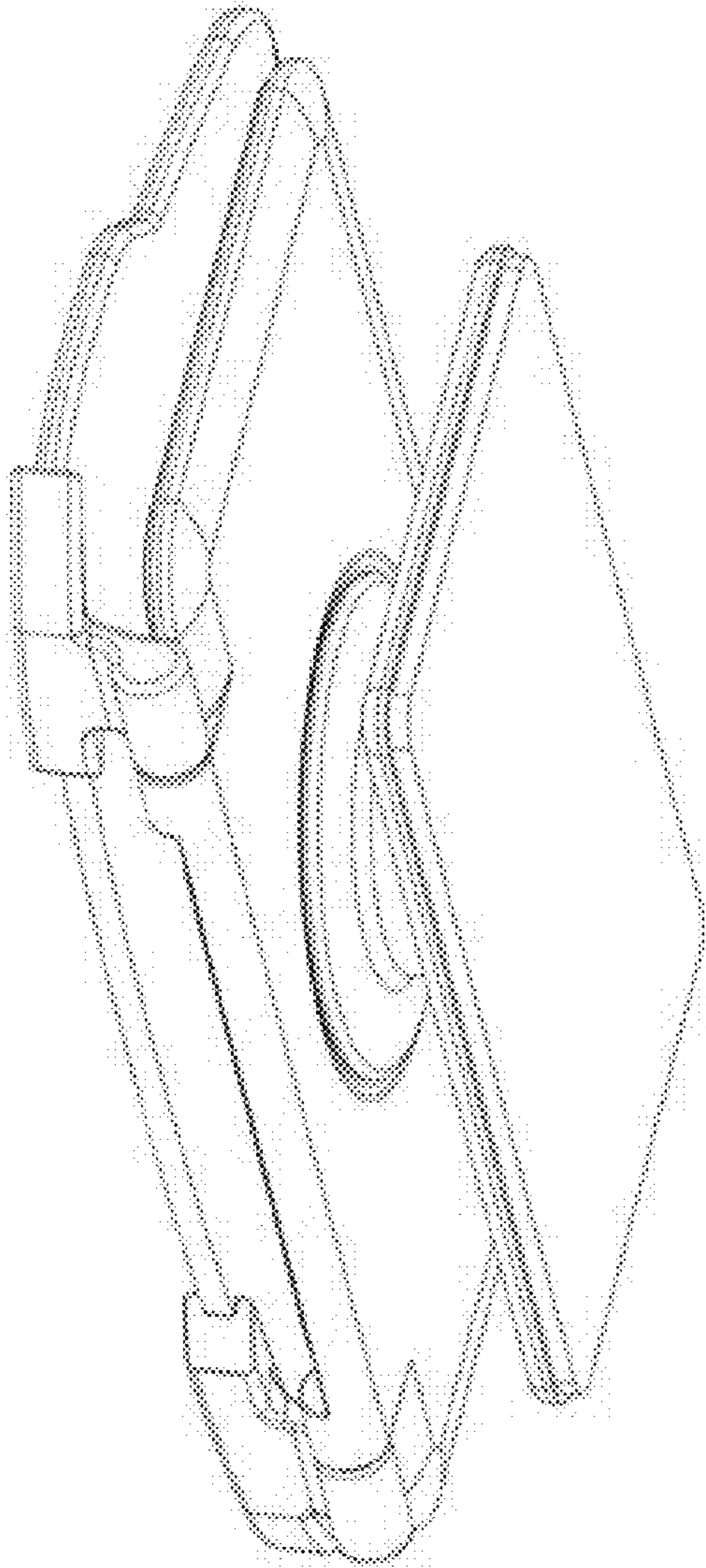


FIG. 8

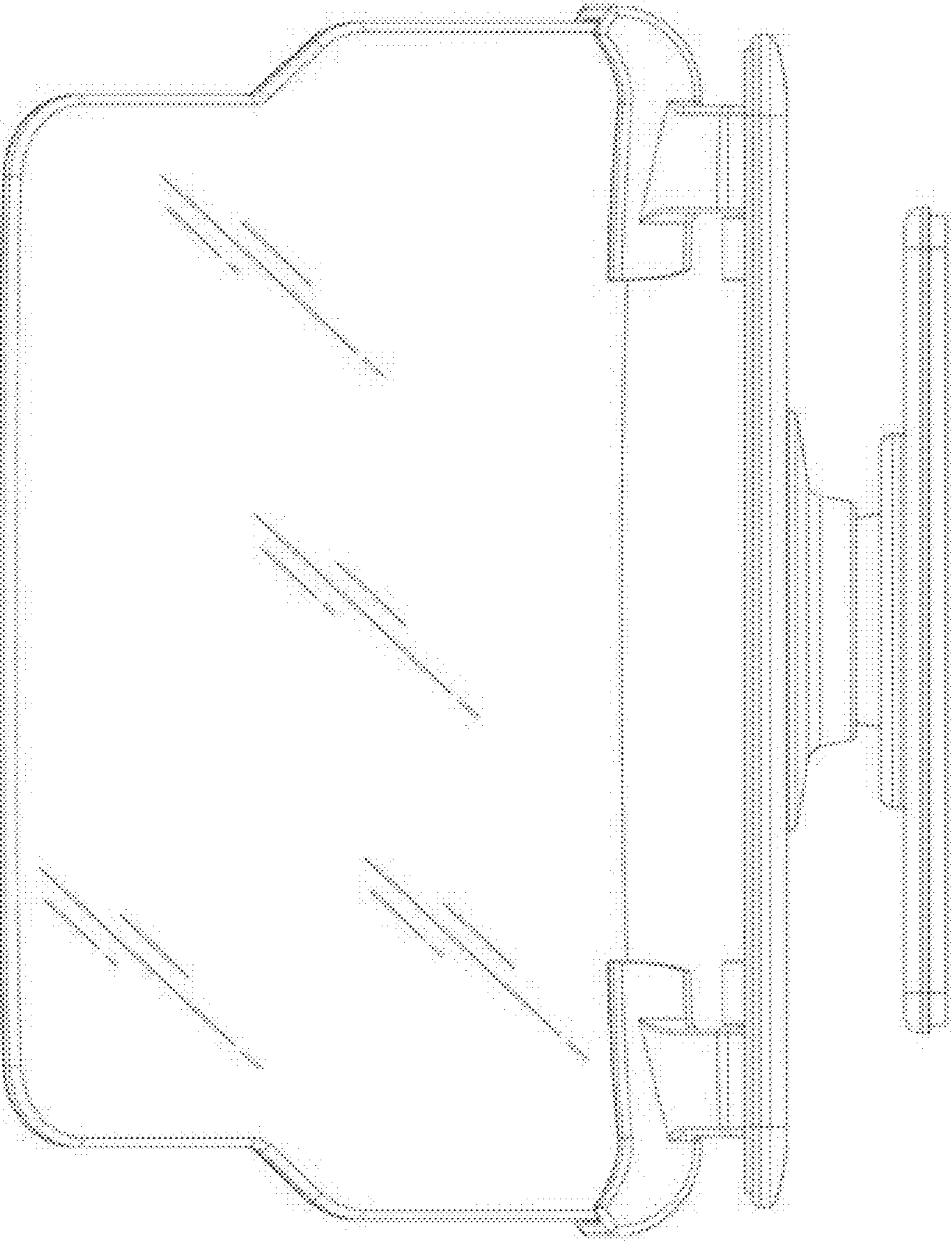


FIG. 9

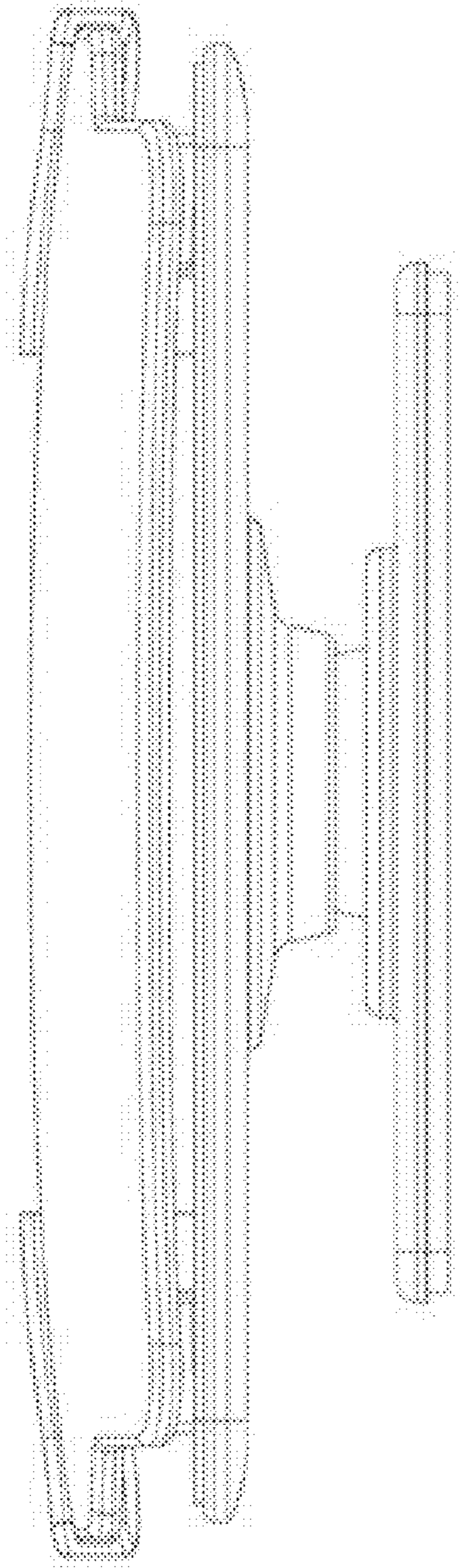


FIG. 10

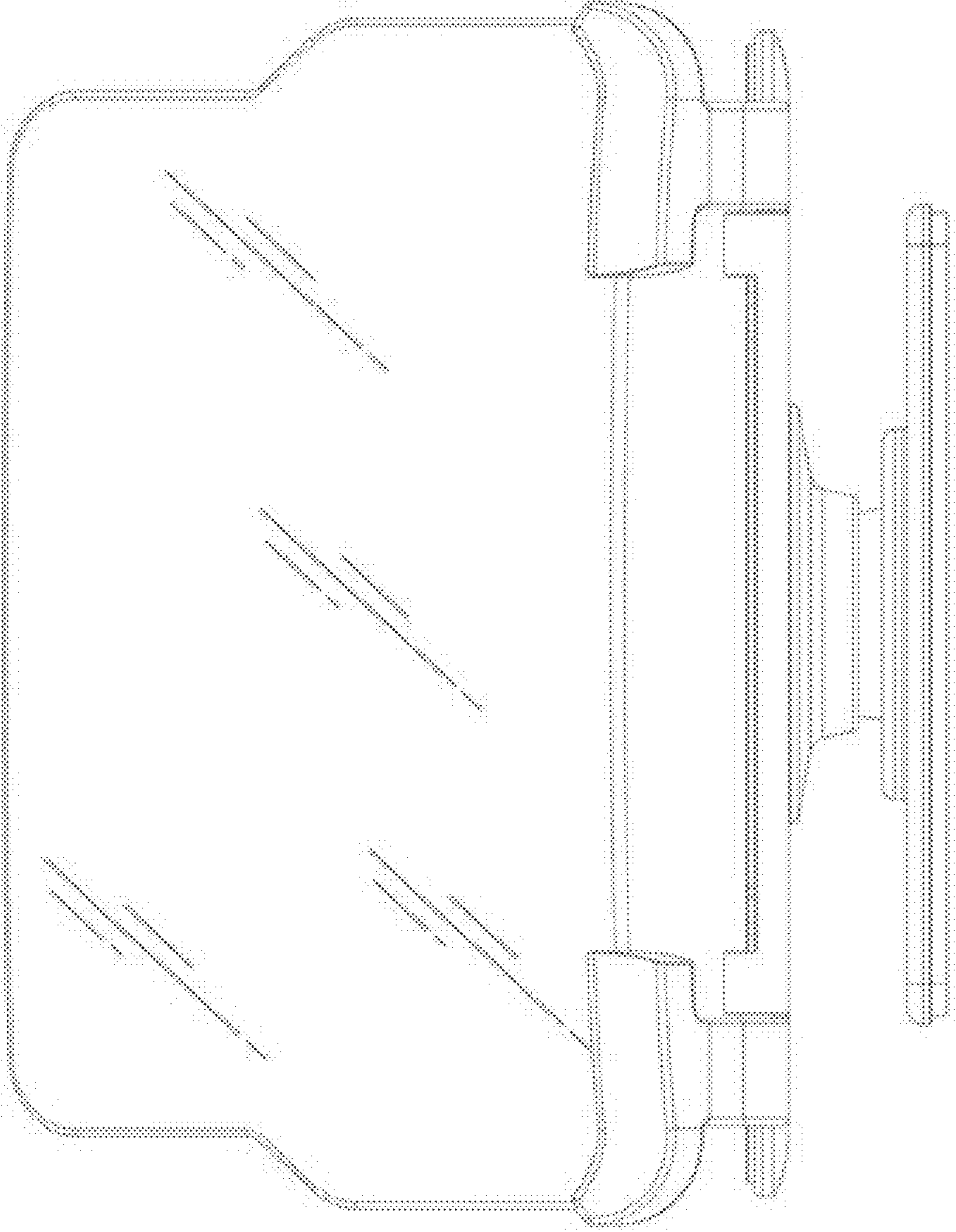


FIG. 11

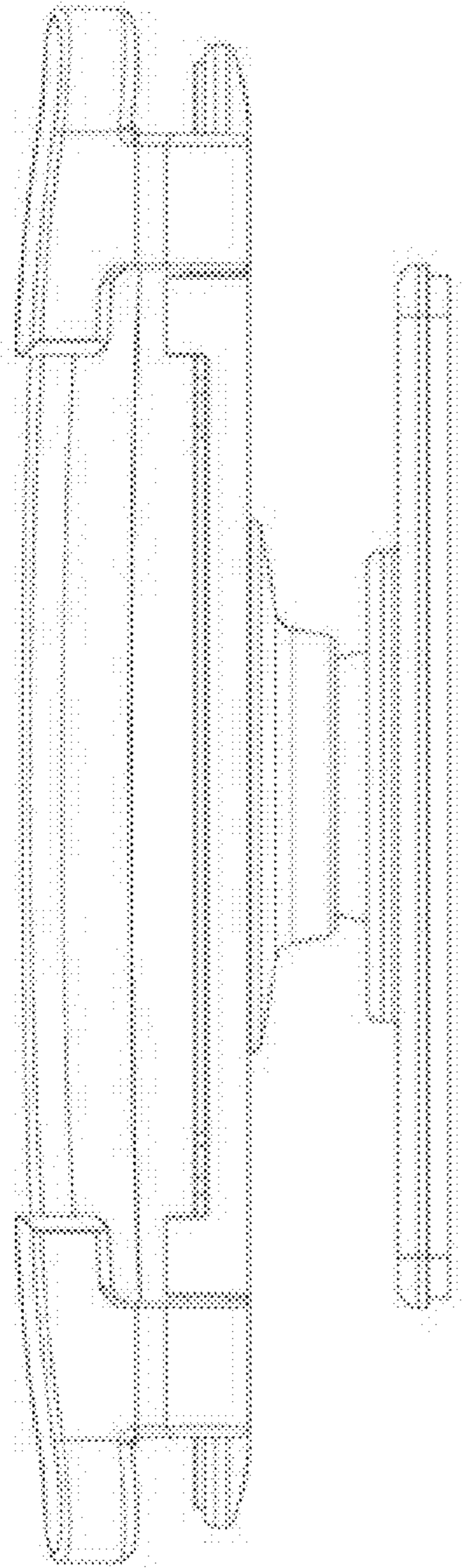


FIG. 12

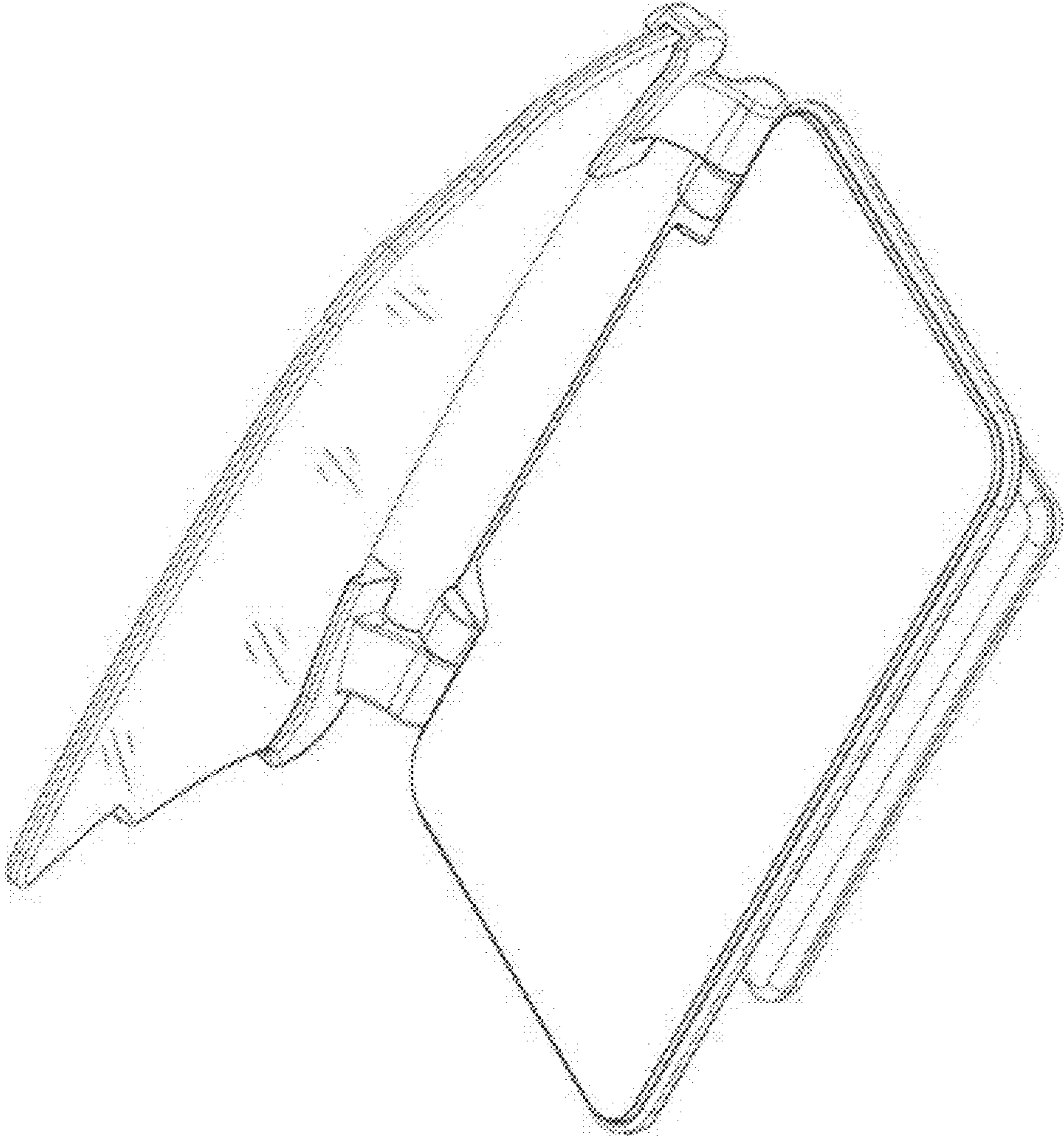


FIG. 13

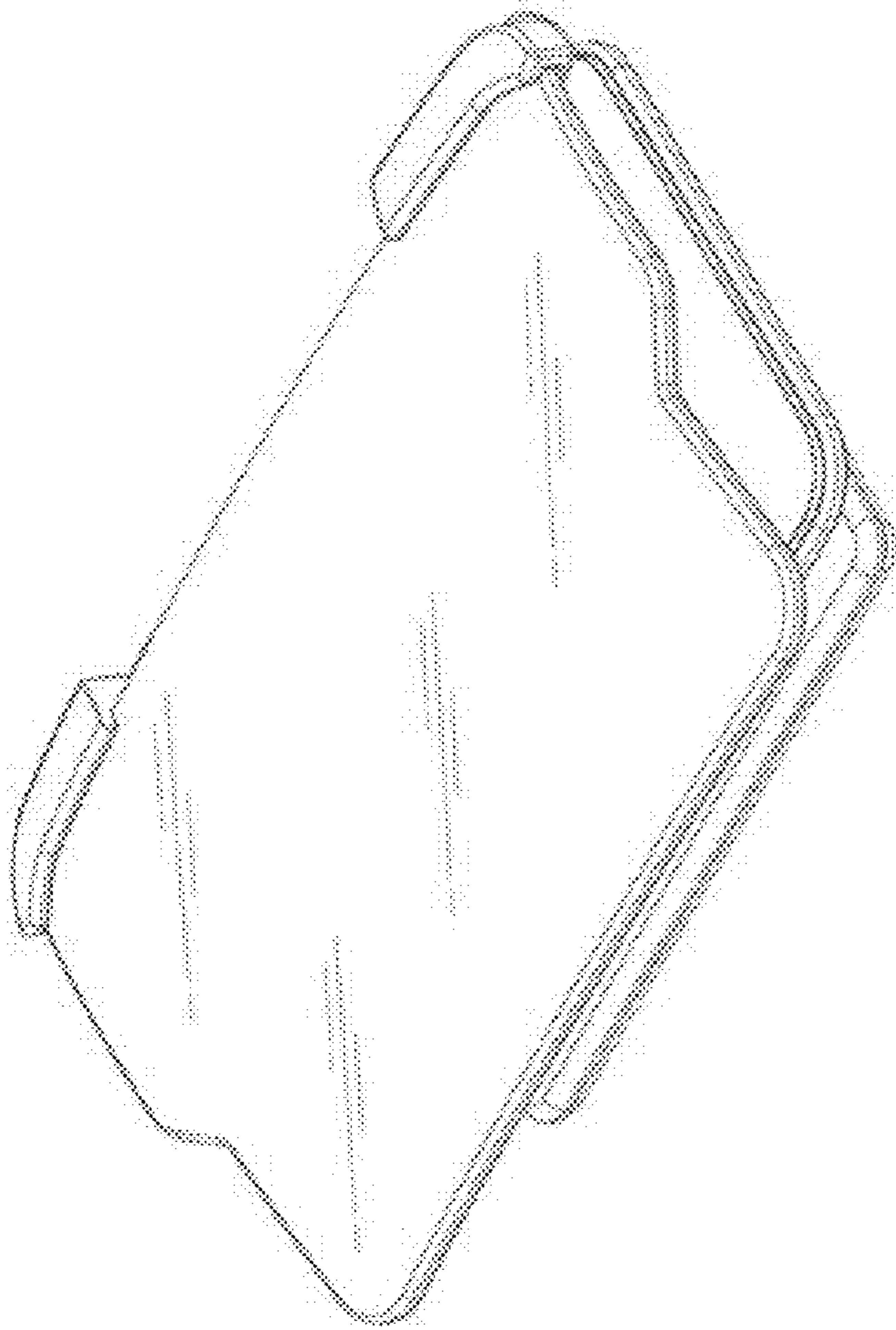


FIG. 14

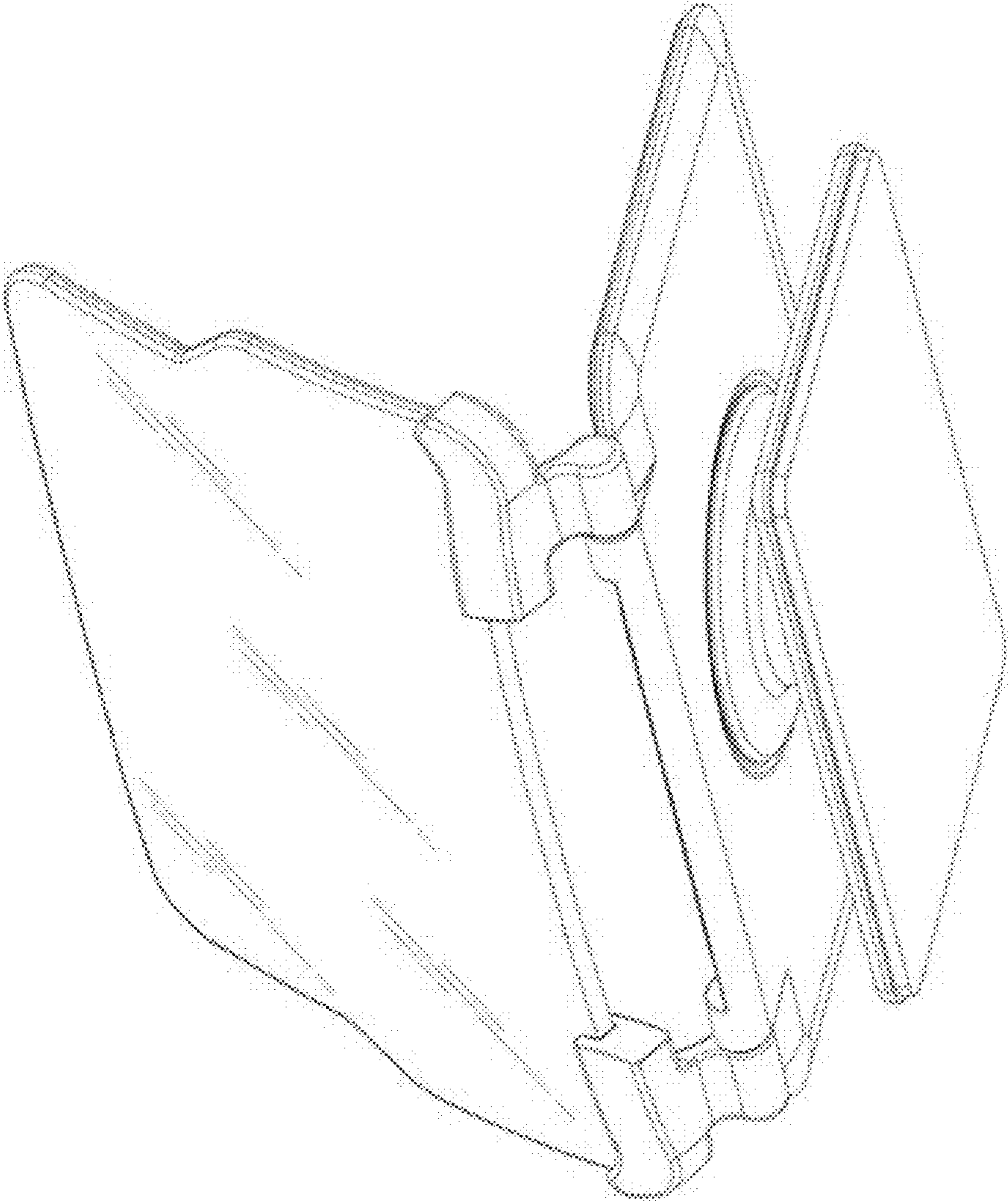


FIG. 15

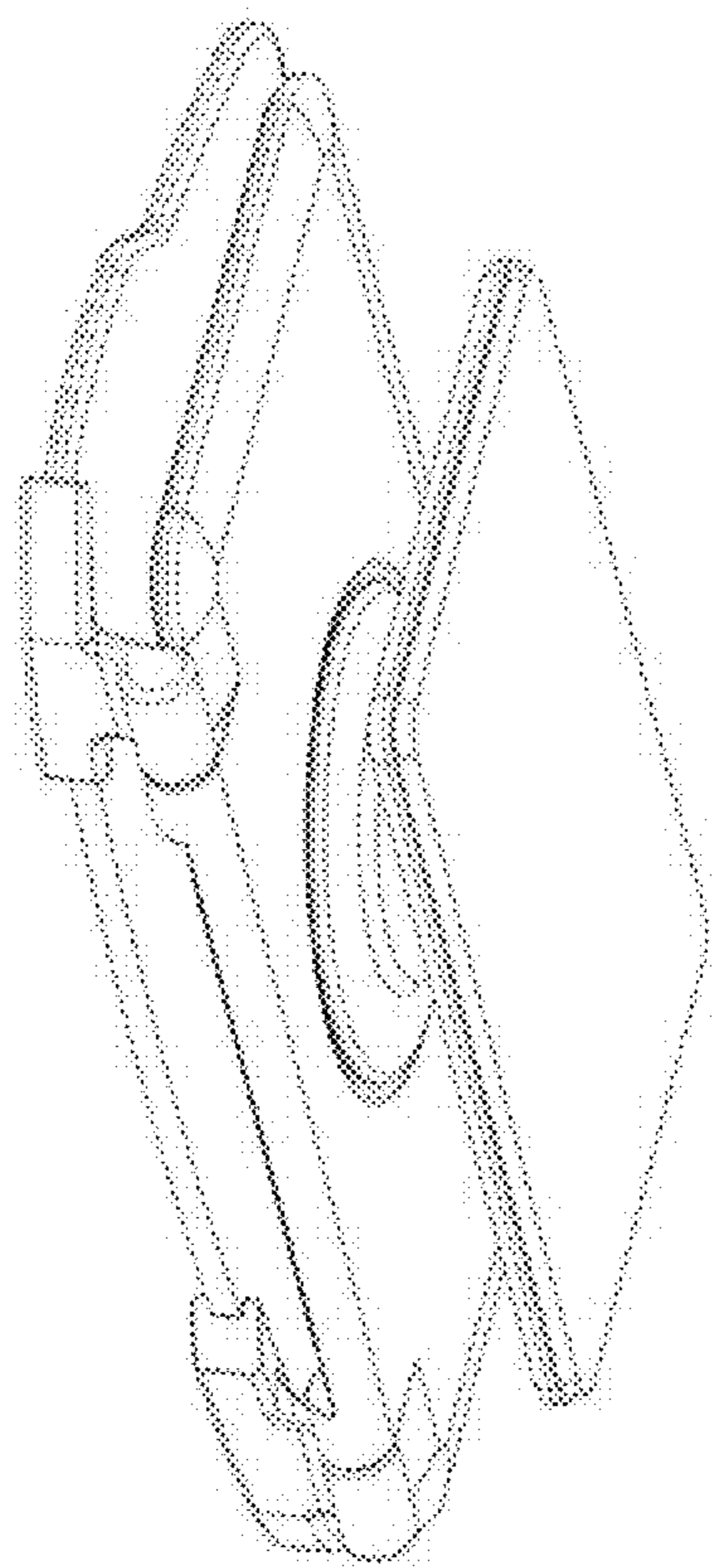


FIG. 16