



US00D798871S

(12) **United States Design Patent**  
**Avganim**

(10) **Patent No.:** **US D798,871 S**

(45) **Date of Patent:** **\*\* Oct. 3, 2017**

(54) **TABLET STAND**

(71) Applicant: **Gad Alexander Avganim**, Tel Aviv (IL)

(72) Inventor: **Gad Alexander Avganim**, Tel Aviv (IL)

(\*\*) Term: **15 Years**

(21) Appl. No.: **29/574,992**

(22) Filed: **Aug. 21, 2016**

(51) **LOC (10) Cl.** ..... **08-07**

(52) **U.S. Cl.**  
USPC ..... **D14/447**

(58) **Field of Classification Search**  
USPC ..... D14/447, 432, 434, 439, 440, 451, 452,  
D14/457, 239; D8/363, 373, 380;  
D6/406.3, 406.4, 406.5, 406.6; D12/415  
CPC ..... A47B 21/04; A47B 2097/006; A47B  
2097/005; A47B 2023/049; A45C  
2011/002; A45C 2011/003; F16M  
2200/00; F16M 13/00

See application file for complete search history.

(56) **References Cited**

**U.S. PATENT DOCUMENTS**

D650,783 S	*	12/2011	Ausfeld	.....	D13/107
D650,784 S	*	12/2011	Feldstein	.....	D14/434
D677,261 S	*	3/2013	Hsu	.....	D14/447
D687,832 S	*	8/2013	Edwards	.....	D14/447
D703,676 S	*	4/2014	Smith	.....	D14/447

D704,196 S	*	5/2014	Yohai-Giochais	.....	D14/447
D705,234 S	*	5/2014	Guran	.....	D14/447
D705,785 S	*	5/2014	Wang	.....	D14/447
D707,685 S	*	6/2014	Johnson	.....	D14/447
D718,770 S	*	12/2014	Specht	.....	D14/447
D721,710 S	*	1/2015	Messing	.....	D14/447
D733,155 S	*	6/2015	van Hoofft	.....	D14/447
D746,292 S	*	12/2015	Heckler	.....	D14/447

\* cited by examiner

*Primary Examiner* — Angela J Lee

(74) *Attorney, Agent, or Firm* — Henry M. Sinai;  
IP-Partnership

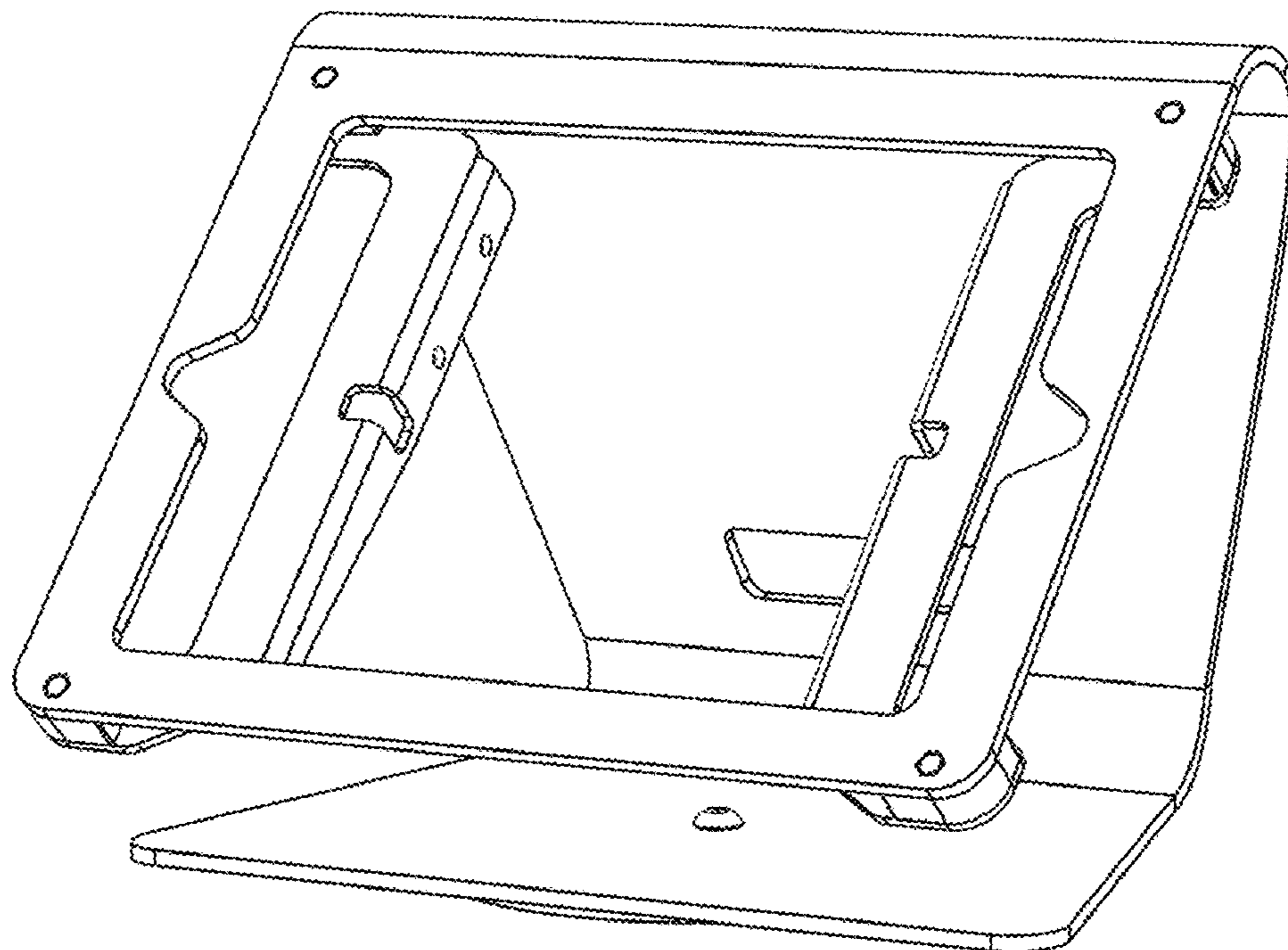
(57) **CLAIM**

The ornamental design for a tablet stand, as shown and described.

**DESCRIPTION**

FIG. 1 is a front perspective view of a tablet stand, showing my new design;  
FIG. 2 is a rear perspective view of the design thereof;  
FIG. 3 is a right side elevational the design thereof;  
FIG. 4 is a front side elevational view of the design thereof;  
FIG. 5 is a rear side elevational view of the design thereof;  
and,  
FIG. 6 is a bottom elevational view of the design thereof.

**1 Claim, 5 Drawing Sheets**



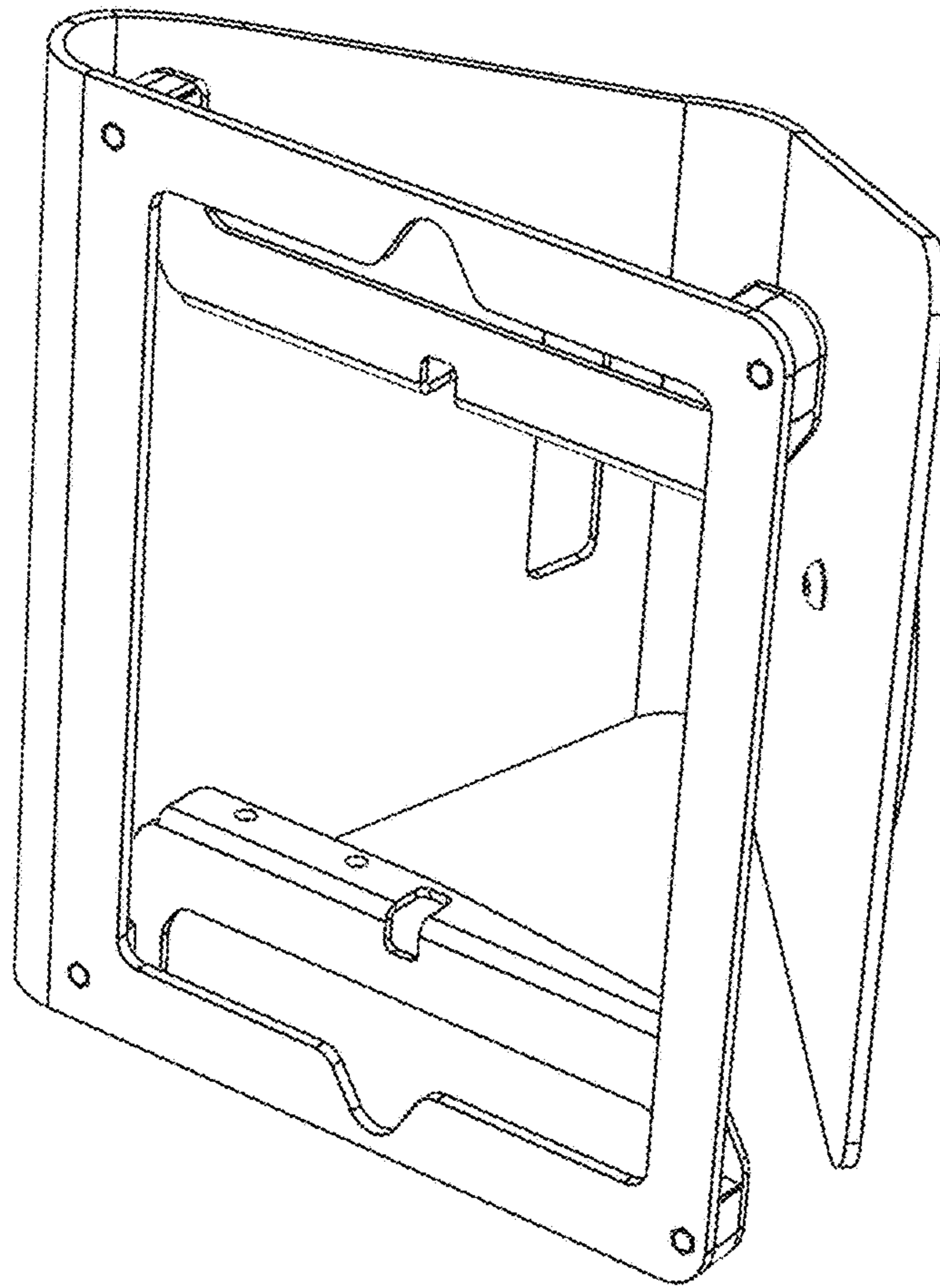


FIG. 1

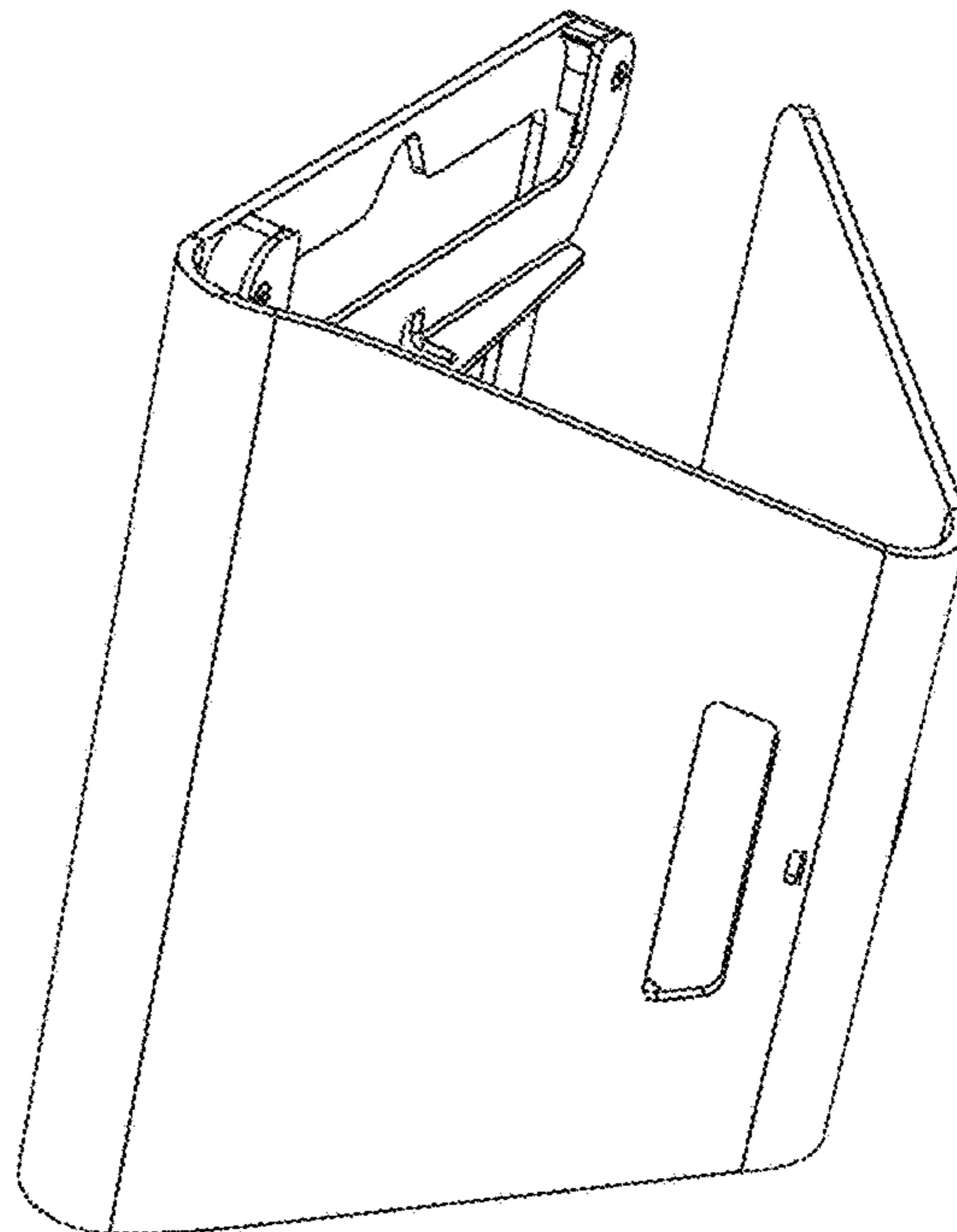


FIG. 2

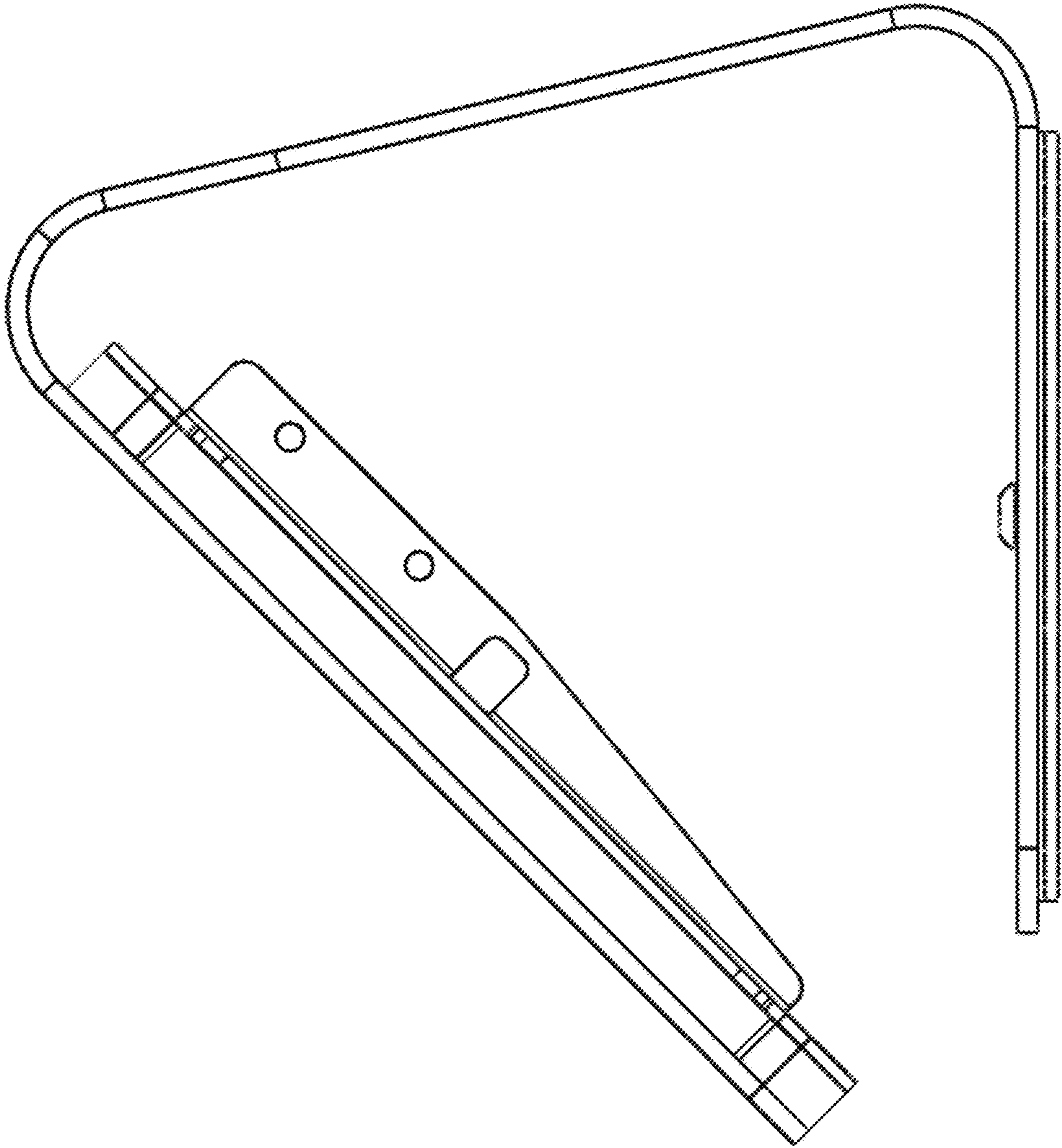


FIG. 3

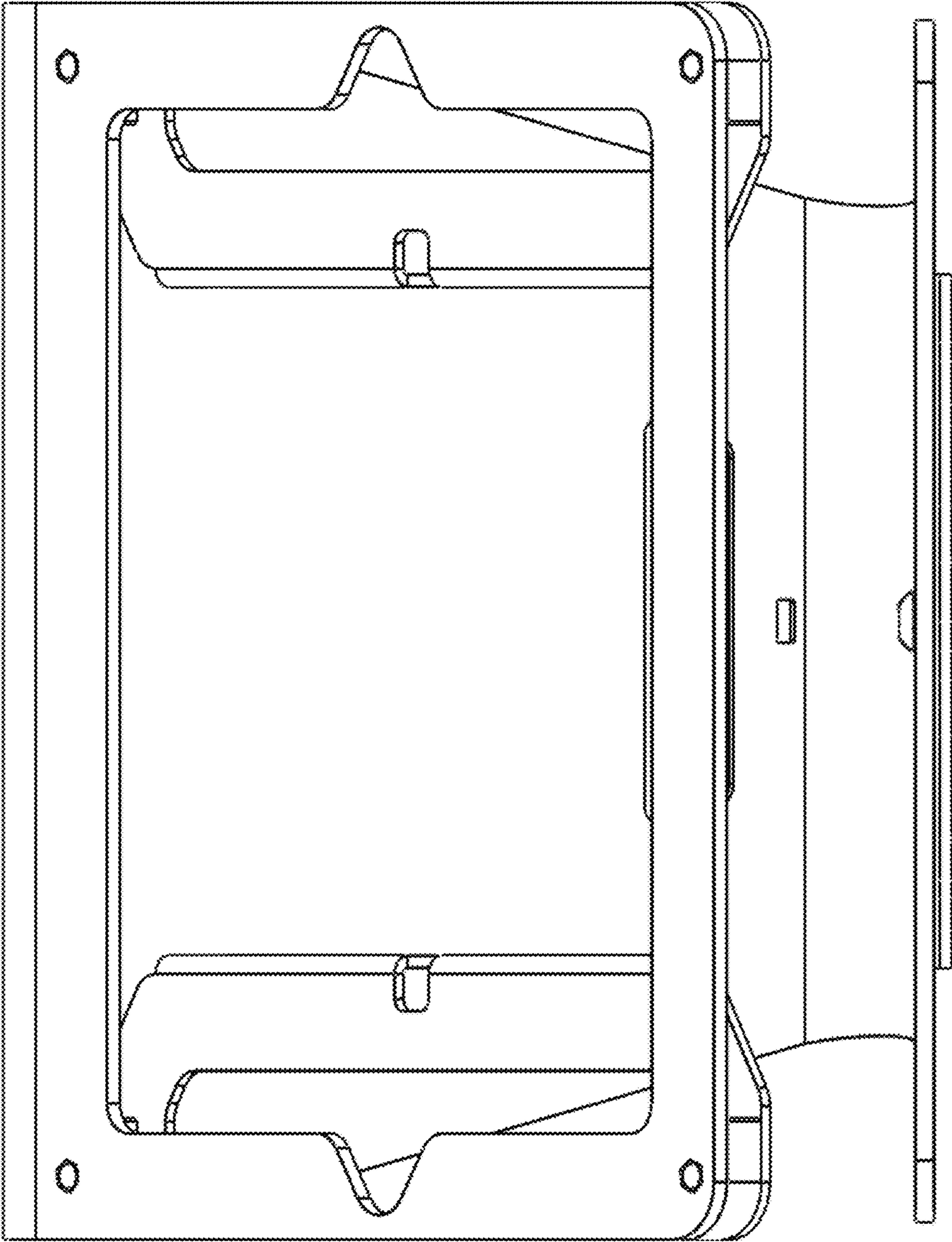


FIG. 4

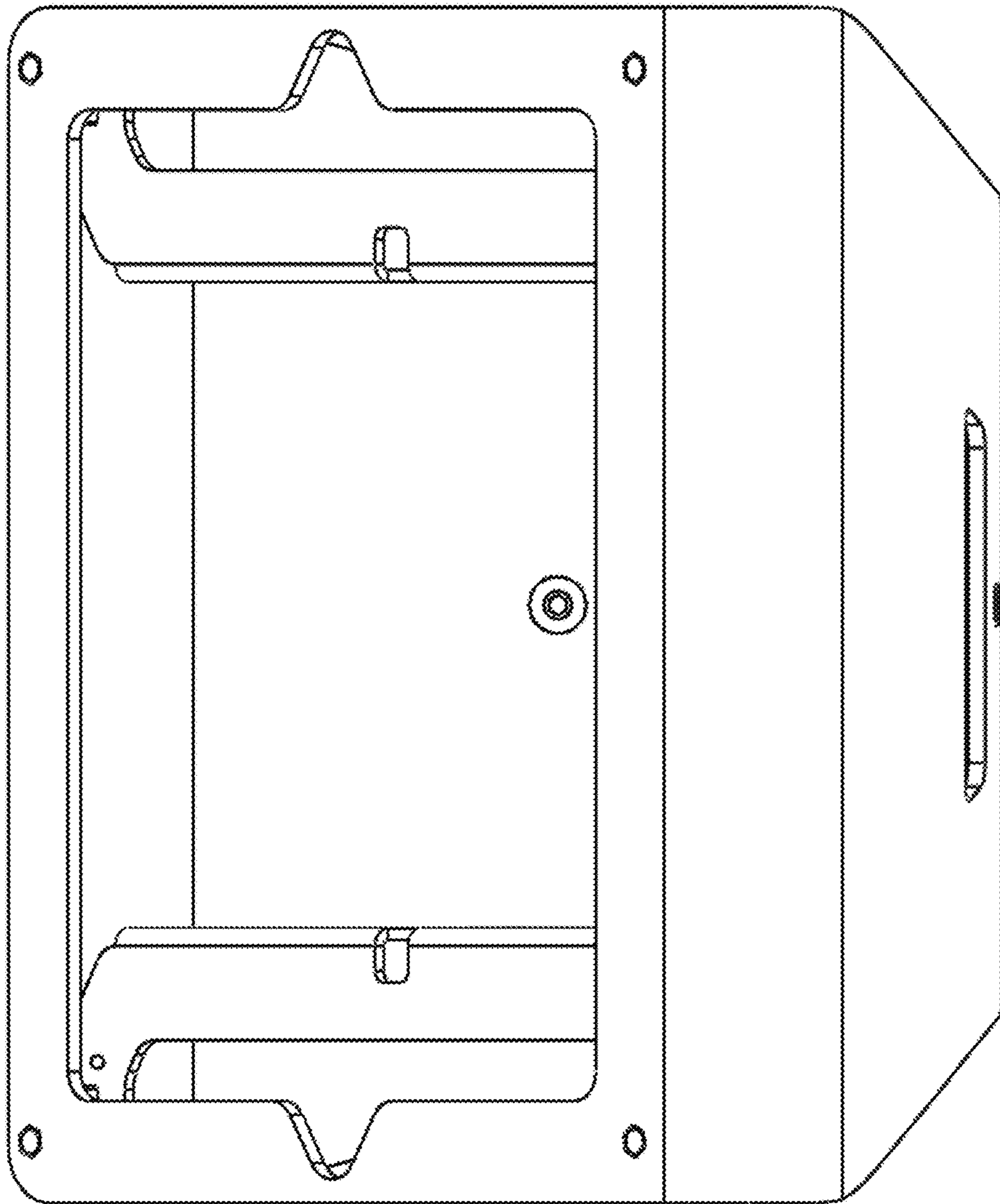


FIG. 5

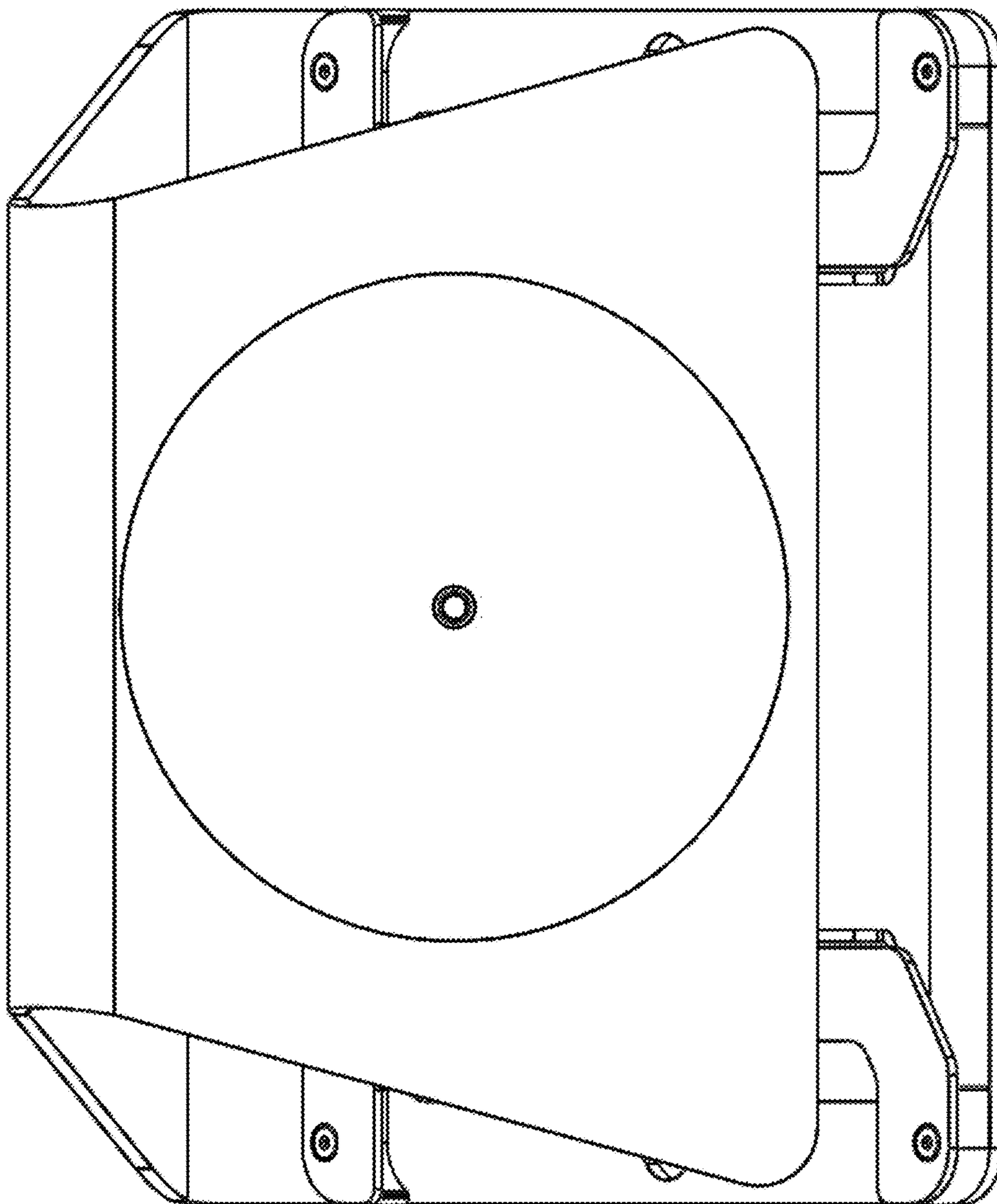


FIG. 6