



US00D798870S

(12) **United States Design Patent**
Hamra

(10) **Patent No.:** **US D798,870 S**

(45) **Date of Patent:** **** Oct. 3, 2017**

(54) **HIP CLIP TABLET MOUNT**

(71) Applicant: **RED STREET VENTURES, LLC,**
Austin, TX (US)

(72) Inventor: **Andrew Hamra,** Austin, TX (US)

(73) Assignee: **Red Street Ventures, LLC,** Austin, TX
(US)

(**) Term: **15 Years**

(21) Appl. No.: **29/570,376**

(22) Filed: **Jul. 7, 2016**

(51) **LOC (10) Cl.** **08-07**

(52) **U.S. Cl.**
USPC **D14/447**

(58) **Field of Classification Search**
USPC D14/447, 432, 434, 439, 440, 451, 452,
D14/457, 239; D8/363, 373, 380;
D6/406.3, 406.4, 406.5, 406.6; D12/415
CPC A47B 21/04; A47B 2097/006; A47B
2097/005; A47B 2023/049; A45C
2011/002; A45C 2011/003; F16M
2200/00; F16M 13/00
See application file for complete search history.

(56) **References Cited**

U.S. PATENT DOCUMENTS

D484,778 S * 1/2004 French D8/373
D582,918 S * 12/2008 Scott D14/432

D592,669 S * 5/2009 Malisse D14/451
D645,865 S * 9/2011 Diehl D14/299
D663,735 S * 7/2012 Musselman D14/253
D686,623 S * 7/2013 Bennett, Jr. D14/432
D692,435 S * 10/2013 Bremenkamp D14/447
D748,099 S * 1/2016 Heid D14/447
D755,797 S * 5/2016 Liu D14/452
D776,667 S * 1/2017 Fujioka D14/447
D781,297 S * 3/2017 Liao D14/447
D784,354 S * 4/2017 Abreu D14/447
D785,638 S * 5/2017 Hsu D14/447

* cited by examiner

Primary Examiner — Angela J Lee

(74) *Attorney, Agent, or Firm* — Kramer Amado, P.C.

(57) **CLAIM**

The ornamental design for the hip clip tablet mount, as shown and described.

DESCRIPTION

FIG. 1 is a front perspective view of a hip clip tablet mount; FIG. 2 is a rear perspective view thereof; FIG. 3 is a front elevation view thereof; FIG. 4 is a rear elevation view thereof; FIG. 5 is a left side elevation view thereof; FIG. 6 is a right side elevation view thereof; FIG. 7 is a top plan view thereof; FIG. 8 is a bottom plan view thereof; and, FIG. 9 is an exploded front perspective view thereof. Portions shown as broken lines are for illustrative purposes only and form no part of the claimed design.

1 Claim, 4 Drawing Sheets

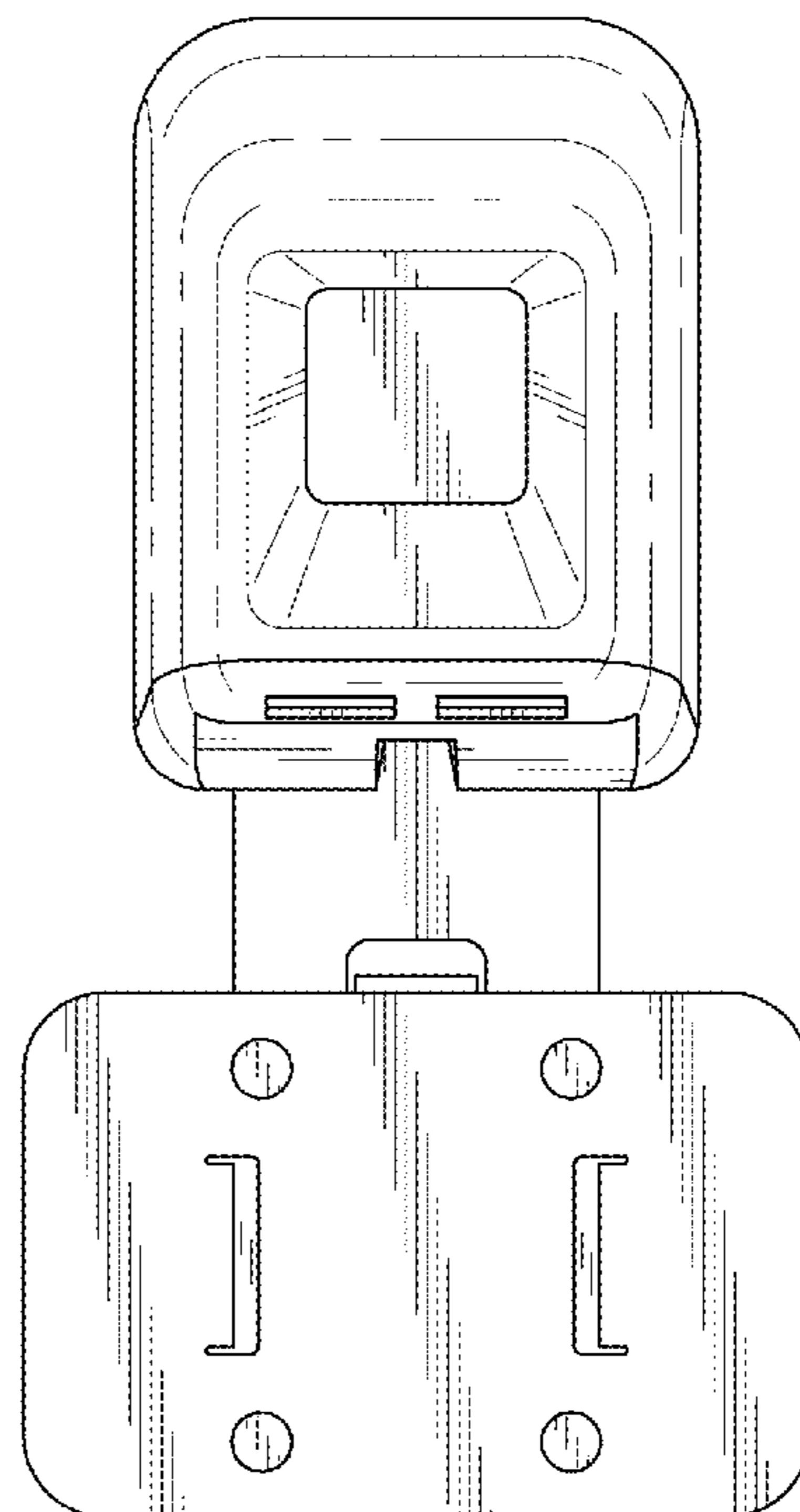
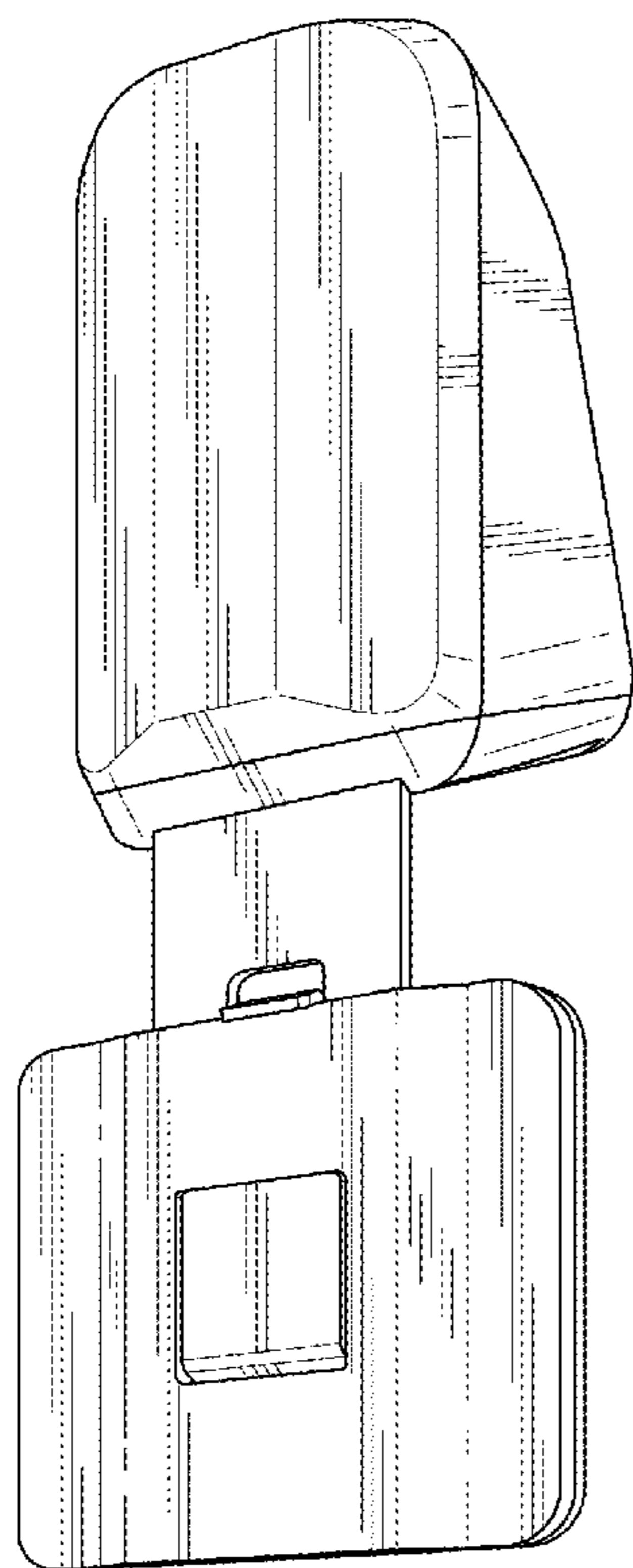
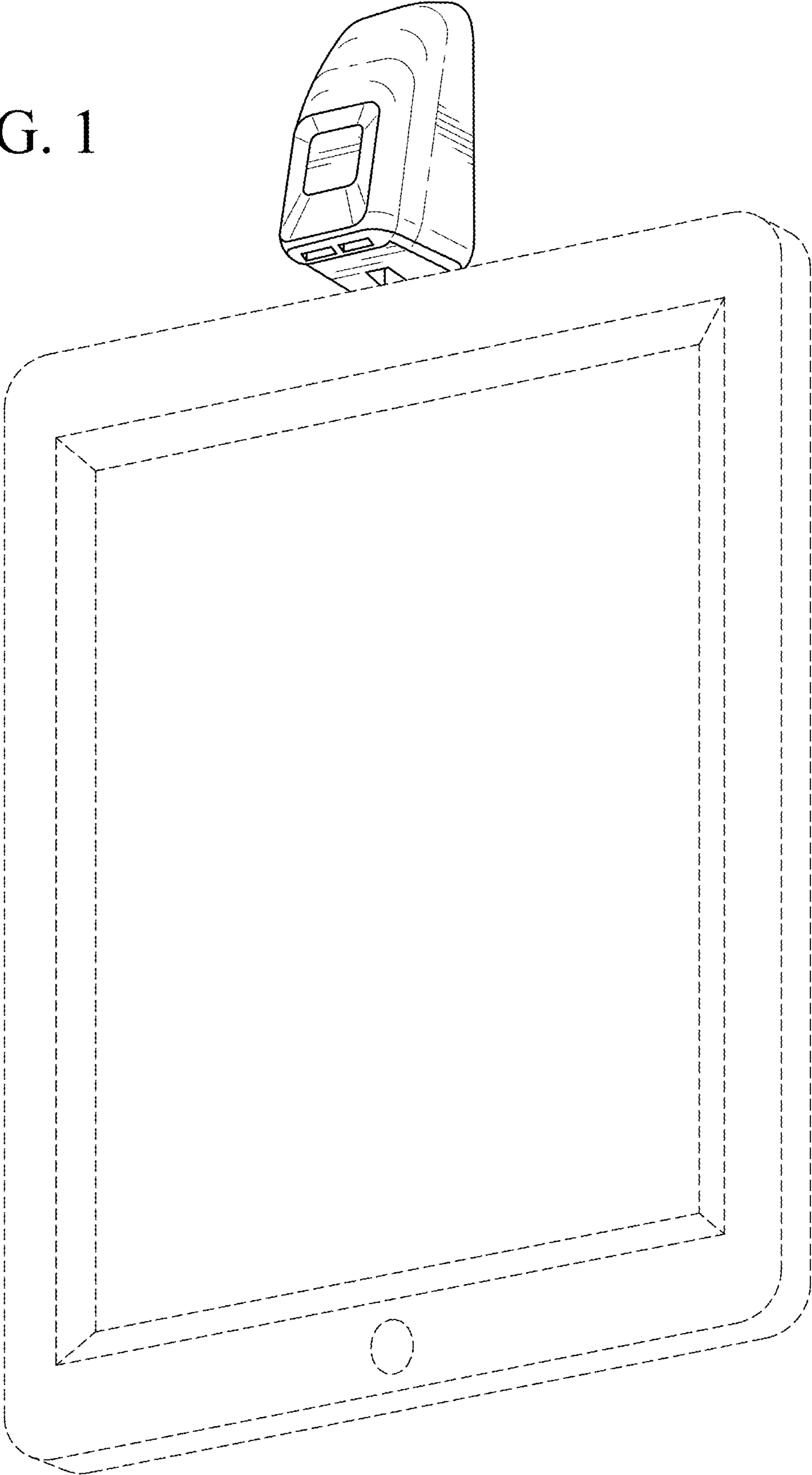


FIG. 1



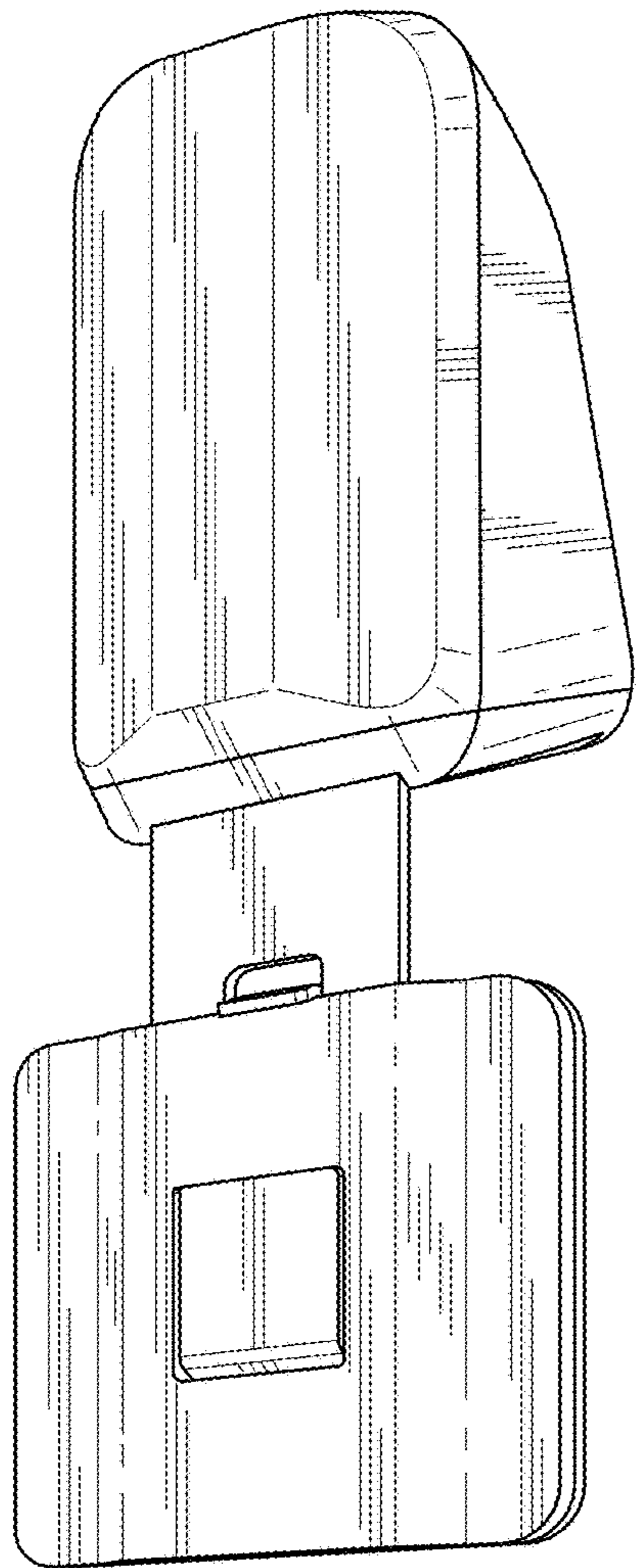


FIG. 2

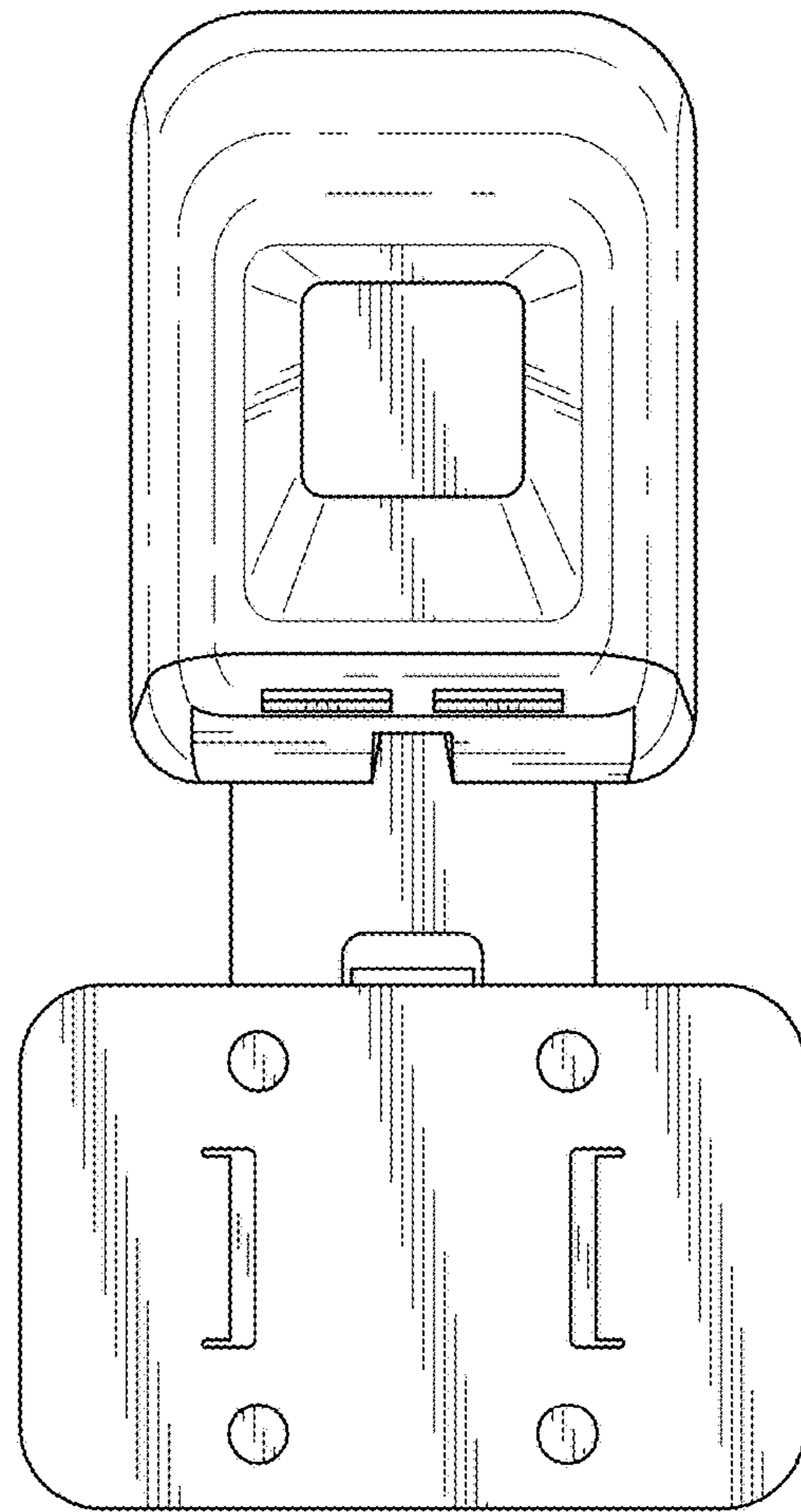


FIG. 3

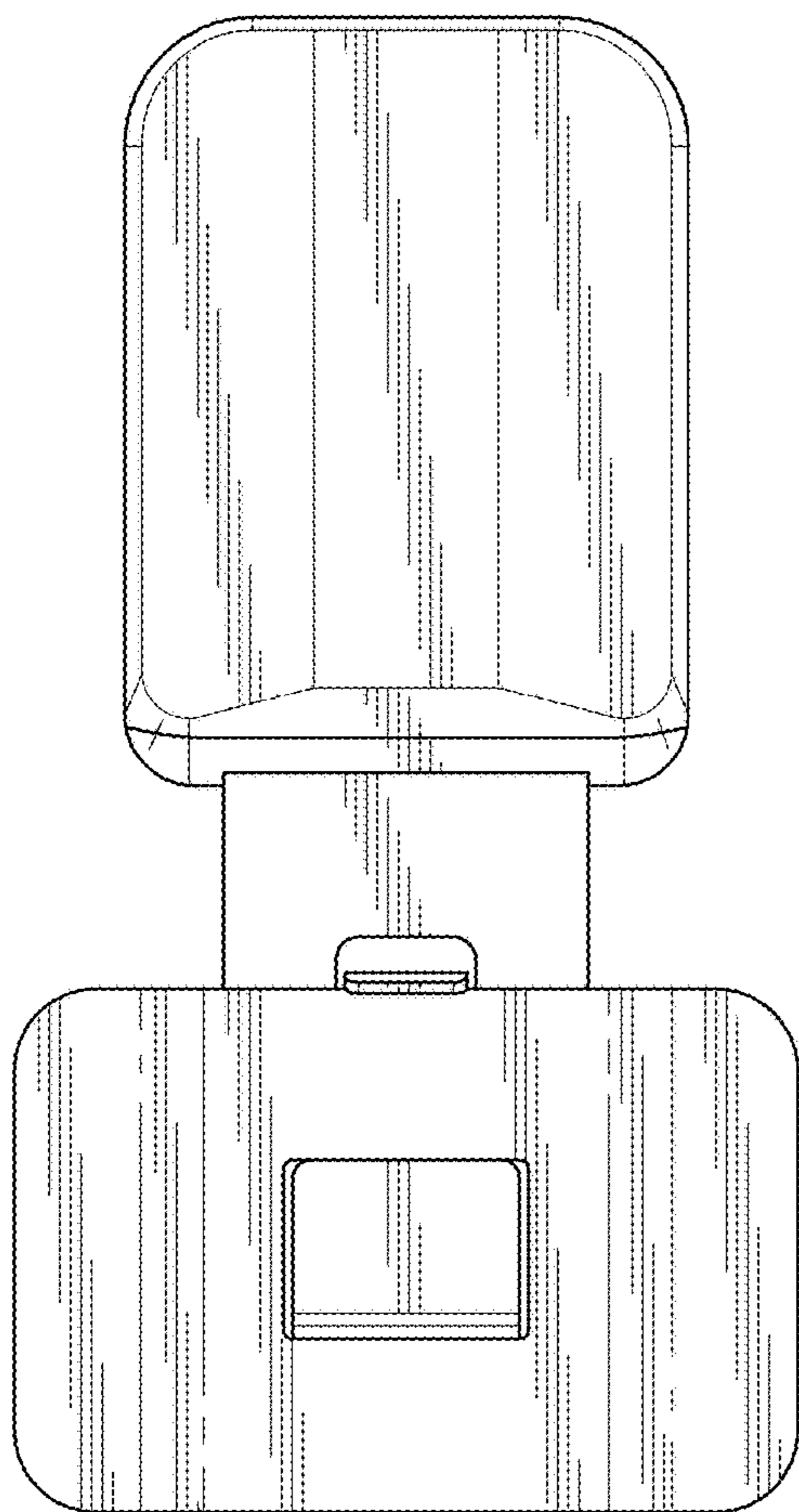


FIG. 4

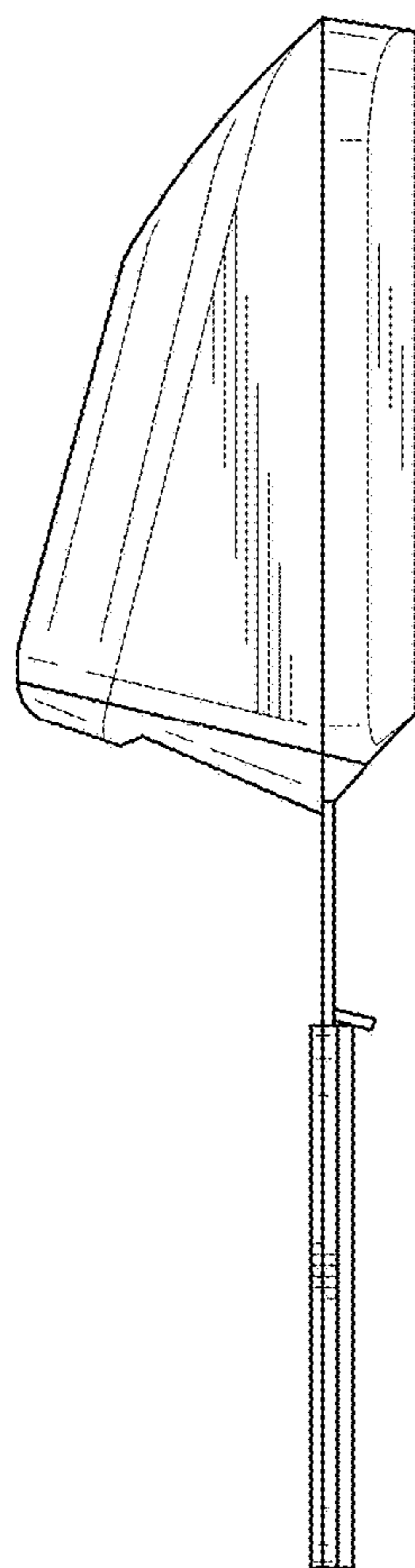


FIG. 5

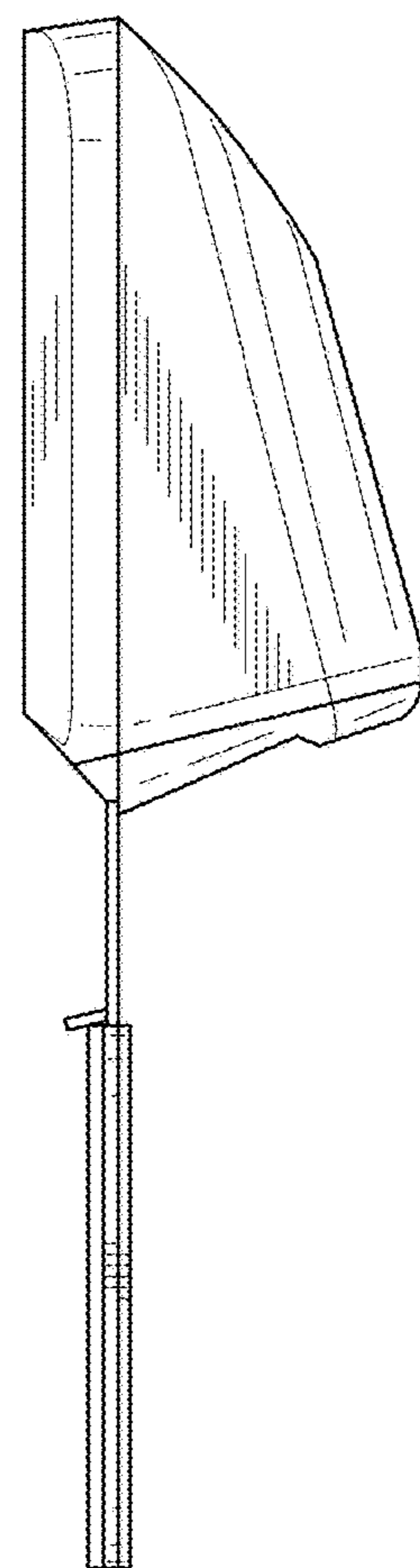


FIG. 6

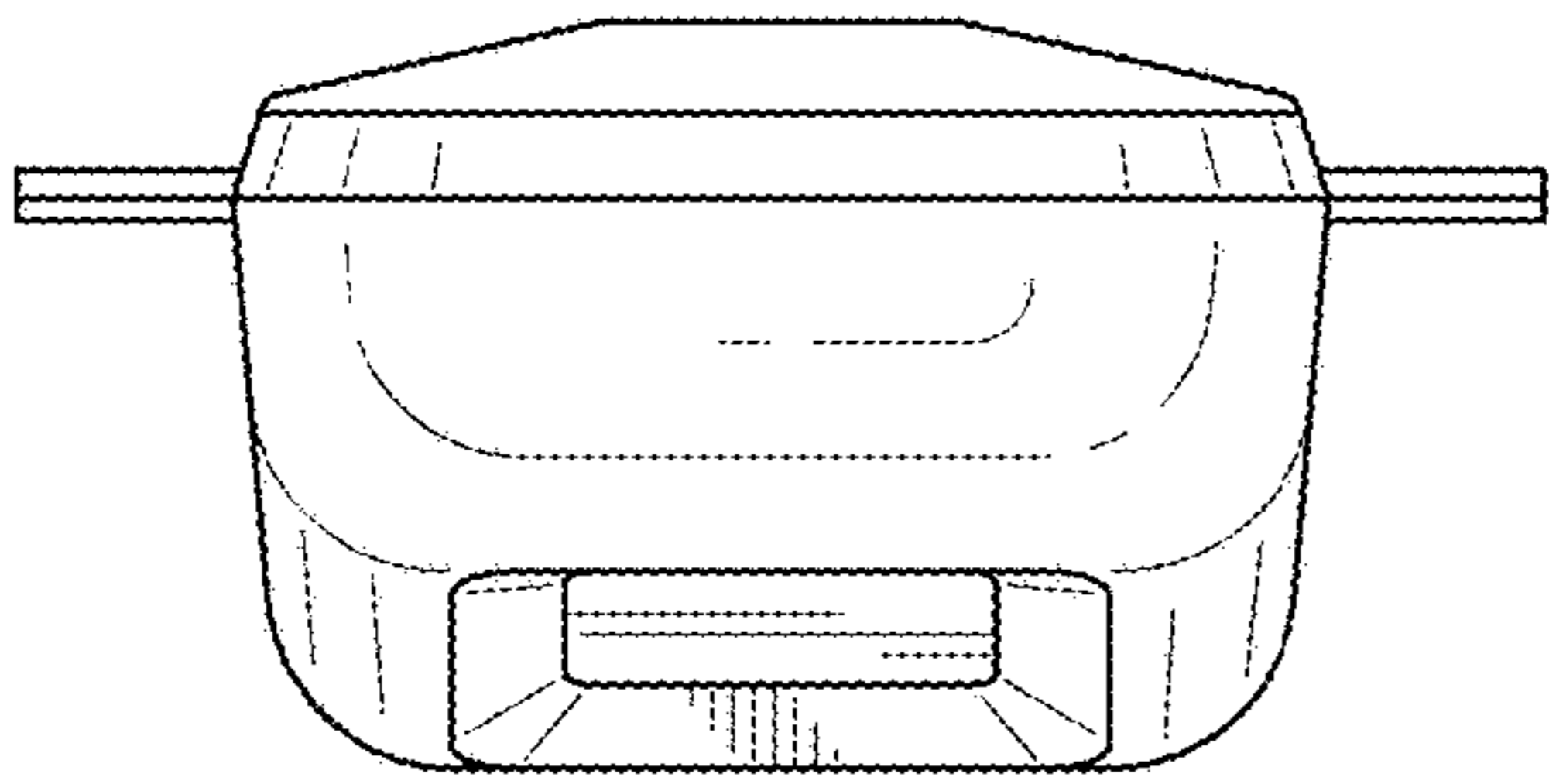


FIG. 7

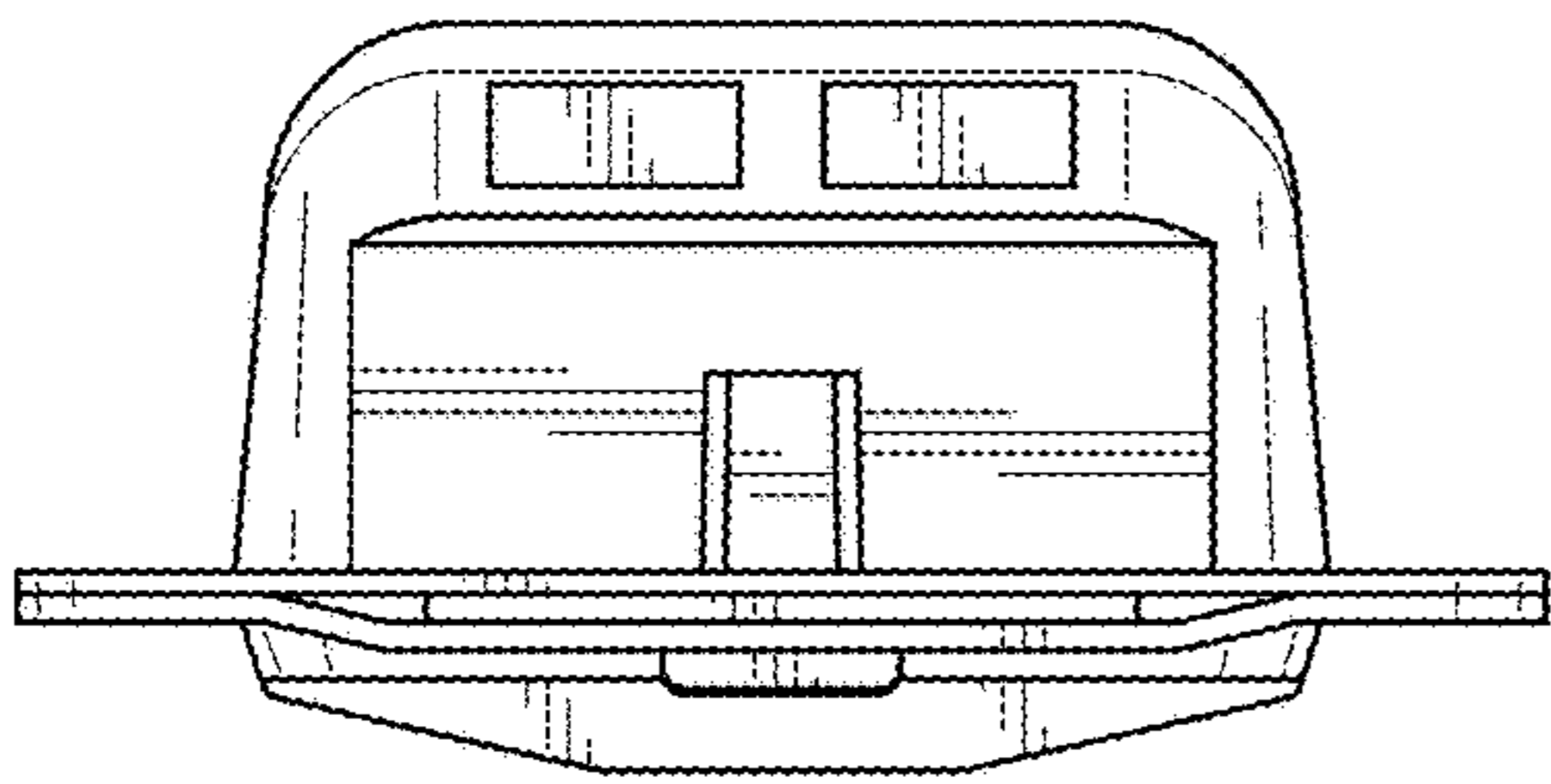


FIG. 8

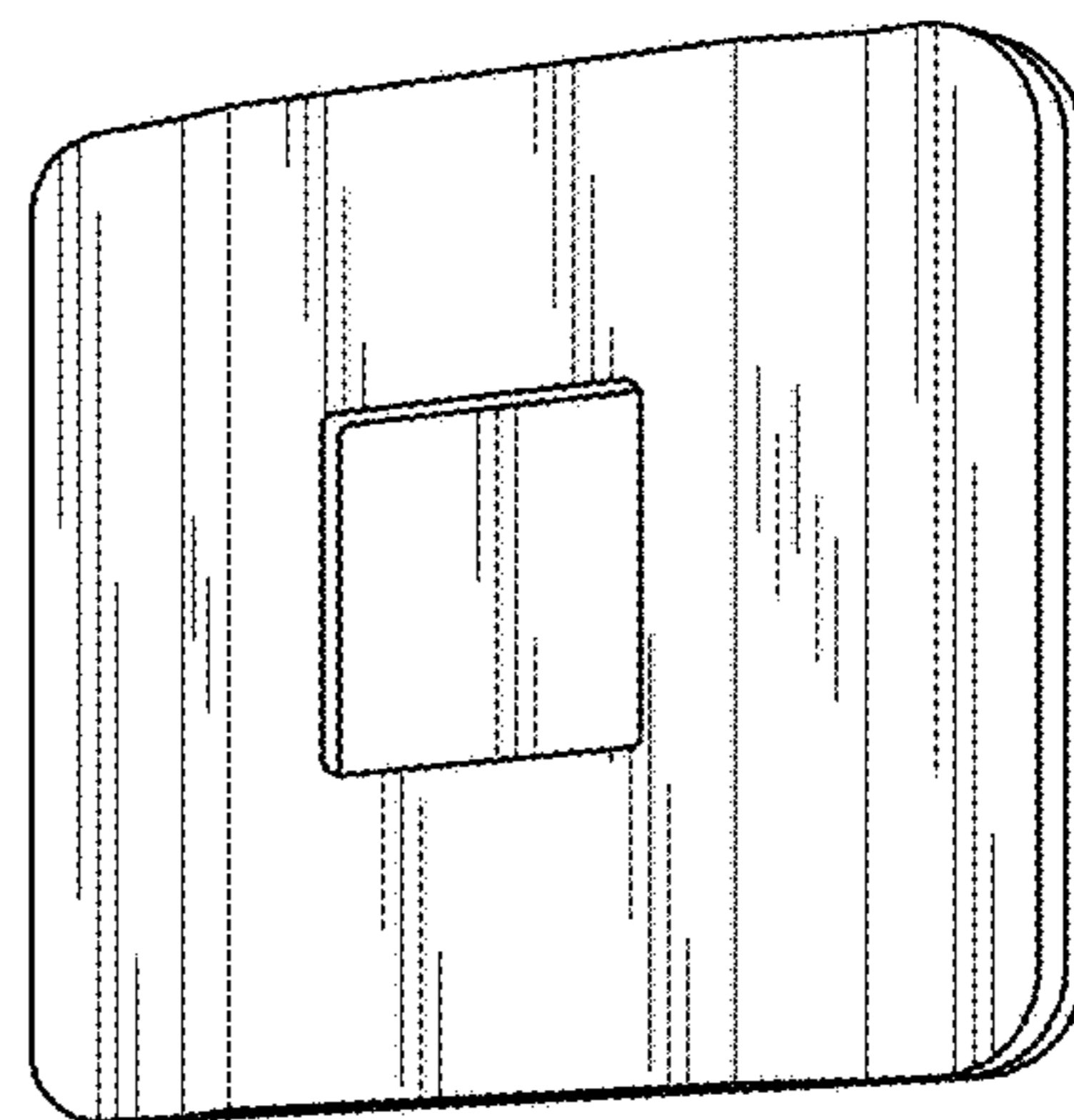
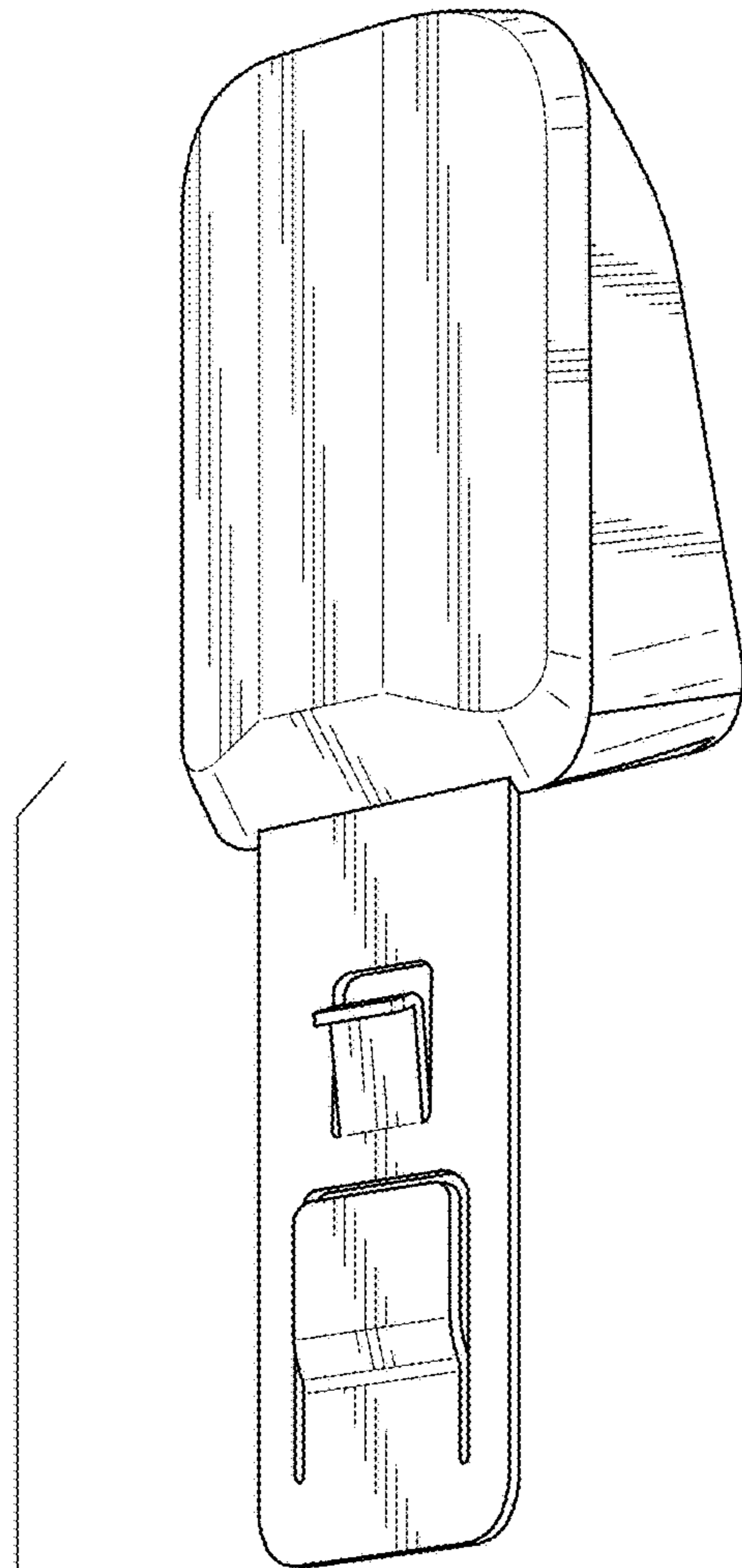


FIG. 9