



US00D798868S

(12) **United States Design Patent**
Daniel

(10) **Patent No.: US D798,868 S**

(45) **Date of Patent: ** Oct. 3, 2017**

(54) **COMBINED SUBSCRIBER IDENTIFICATION
MODULE AND STORAGE CARD**

(71) Applicant: **Isaac S. Daniel**, Miramar, FL (US)

(72) Inventor: **Isaac S. Daniel**, Miramar, FL (US)

(**) Term: **15 Years**

(21) Appl. No.: **29/574,636**

(22) Filed: **Aug. 17, 2016**

Related U.S. Application Data

(63) Continuation-in-part of application No. 29/536,865,
filed on Aug. 20, 2015, now Pat. No. Des. 773,466,
(Continued)

(51) **LOC (10) Cl.** **14-02**

(52) **U.S. Cl.**
USPC **D14/436**

(58) **Field of Classification Search**
USPC D14/435-438, 478-480; 235/441, 443,
235/487, 492, 493, 495; 361/737, 679,
361/752, 736, 728, 796, 797, 729, 730,
361/725-727; 257/678, 679, 693,
257/E23.064; 439/946, 948, 159;
174/250, 260, 52.1, 52.2; 710/300-303;
438/121

CPC G06K 19/06196; G06K 19/072; G06K
19/0721; G06K 19/0722; G06K 19/0723;
G06K 19/0724; G06K 19/0725; G06K
19/0726; G06K 19/0727; G06K 19/0728;
G06K 19/073; G06K 19/07309; G06K
19/077; G06K 19/07701; G06K
19/07715; G06K 19/0772; G06K
19/07722; G06K 19/07724; G06K
19/07726; G06K 19/07728; G06K
19/0773; G06K 19/07735; G06K
19/07737; G06K 19/07739; G06K
19/07741; G06K 19/07743; G06K
19/07745; G06K 19/07747; G06K
19/07749; G06K 19/07758; G06K
19/07767; G06K 19/07769; G06K

19/07771; G06K 19/07773; G06K
19/07775; G06K 19/083; G06K 19/086;
G06K 19/145; G06K 19/18; G06K
2215/0022; G06K 2215/0025; G06K
2215/0028; G06K 2215/0031; G06K
2215/004; G06K 2215/0082; G06F
21/77-21/80; G06F 21/85-21/88; G06F
21/00; G06Q 20/3229; G06Q 20/34;
G06Q 20/341; G06Q 20/346; G06Q
20/349; G06Q 20/3563; G06Q 20/3567;
G06Q 20/357; G06Q 20/3576; H05K
5/026; H05K 5/0256;

(Continued)

(56) **References Cited**

U.S. PATENT DOCUMENTS

5,055,913 A * 10/1991 Haghiri-
Tehrani G06K 19/07718
235/488
D328,599 S * 8/1992 Gloton D13/182
D331,922 S * 12/1992 Gloton D14/437
D335,663 S * 5/1993 Gloton D14/437
D358,142 S * 5/1995 Gloton D14/437
D365,092 S * 12/1995 Mundigl D14/437
D387,747 S * 12/1997 Ishihara D14/437

(Continued)

Primary Examiner — Susan Moon Lee

(74) *Attorney, Agent, or Firm* — Alberto Interian, III,
Esq.

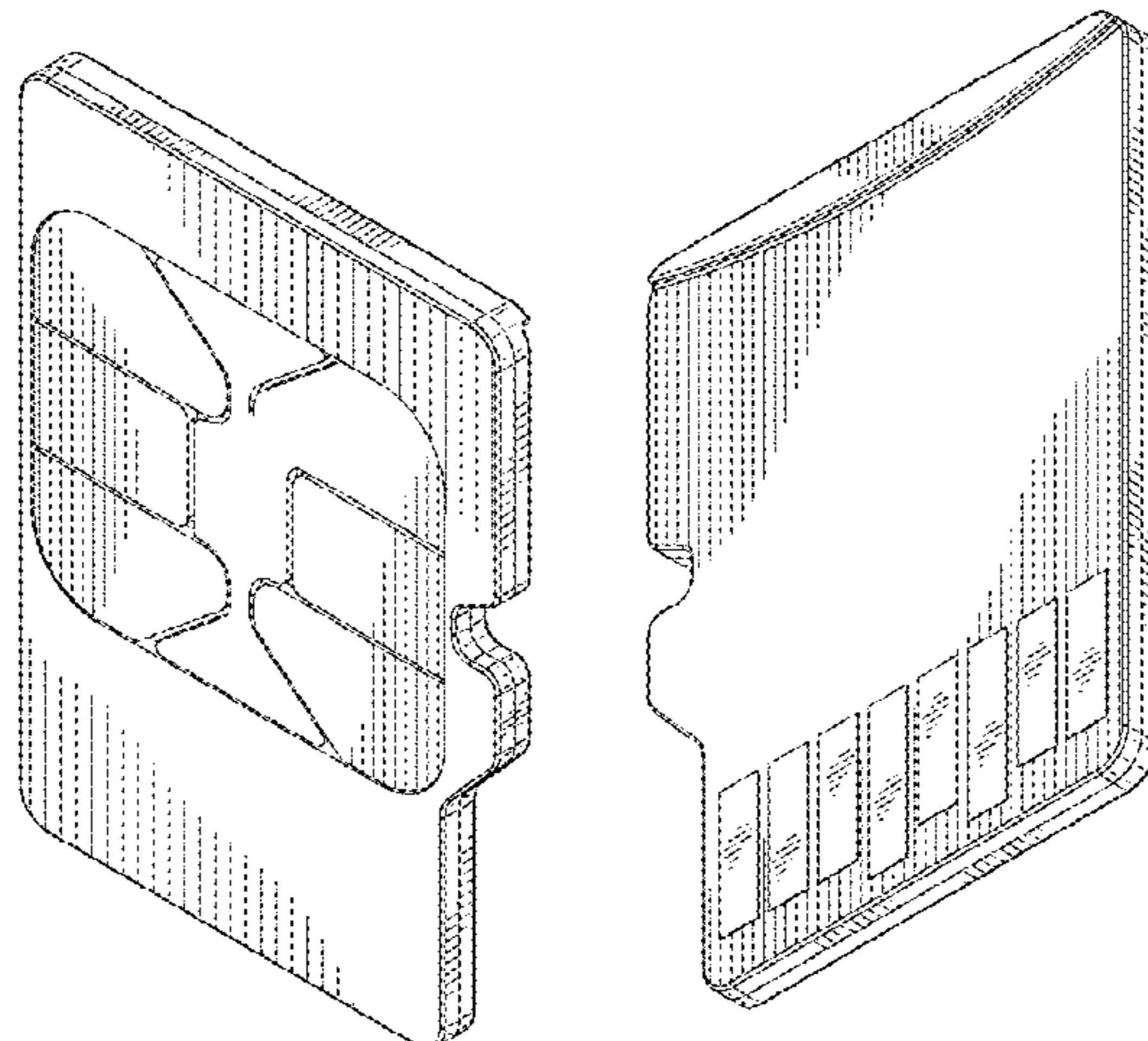
(57) **CLAIM**

The ornamental design for a combined subscriber identi-
fication module and storage card, as shown and described.

DESCRIPTION

FIG. 1 is a front perspective view of the combined sub-
scriber identification module and storage card;
FIG. 2 is a rear perspective view thereof;
FIG. 3 is a front view thereof;
FIG. 4 is a rear view thereof;
FIG. 5 is a right side view thereof;
FIG. 6 is a left side view thereof;
FIG. 7 is a top view thereof; and,
FIG. 8 is a bottom view thereof.

1 Claim, 6 Drawing Sheets



Related U.S. Application Data

and a continuation-in-part of application No. 29/570, 673, filed on Jul. 11, 2016, now abandoned.

(58) **Field of Classification Search**

CPC H05K 5/0265; H05K 5/0269; H05K 5/0273; H05K 5/0278; H05K 5/0282; H05K 5/0286; H05K 5/0291; H05K 5/0295; H05K 5/03; H05K 5/04; H05K 5/06; H05K 5/061; H05K 5/062; H05K 5/063; H05K 5/064; H05K 5/065; H05K 5/066; H05K 5/067; H05K 5/068; H05K 5/069; H05K 7/00; H05K 7/005; H05K 7/02; H05K 7/023; H05K 7/026; H05K 7/04; H05K 7/10; H05K 7/1418; H05K 7/142; H05K 7/1424; H05K 7/1427-7/1439; H05K 7/1461; H05K 7/1464-7/1474; H05K 7/1479; H05K 7/1481; H05K 7/1485-7/1488; H05K 2201/09745; H05K 2201/09754; H05K 2201/09763; H05K 2201/09772; H05K 2201/098; H05K 2201/09818; H05K 2201/10; H05K 2201/10007; H05K 2201/10098; H05K 2201/10143; H05K 2201/10159; H05K 2201/10174; H05K 2201/10212; H05K 2201/1028; H05K 2201/1031; H05K 2201/10431; H05K 2201/22; H05K 2201/10462; H05K 2201/10545; H05K 2201/10553; H05K 2201/1056; H05K 2201/10621; H05K 2201/10636; H05K 2203/05; H05K 3/368; H05K 3/3436; H05K 3/36; H05K 3/40; H05K 3/4007; H05K 3/4015; H05K 3/403; H05K 3/4053; H05K 3/4092; H05K 3/42; H05K 3/421; H05K 3/46; H05K 1/14; H05K 1/141; H05K 1/142; H05K 1/144; H05K 1/145; H05K 1/182; H04N 2201/216

See application file for complete search history.

(56) **References Cited**

U.S. PATENT DOCUMENTS

5,756,379 A * 5/1998 Haghiri-Tehrani G06K 19/07743 257/E23.064
 5,822,190 A * 10/1998 Iwasaki G06K 19/07743 235/441
 D405,078 S * 2/1999 Ross D14/437
 D405,779 S * 2/1999 Huber D14/437
 D412,164 S * 7/1999 Laviron D14/437
 D416,246 S * 11/1999 Hileman D14/437
 5,975,420 A * 11/1999 Gogami G06K 19/07728 235/488
 6,025,997 A * 2/2000 Huber H01L 23/49827 235/492
 D427,577 S * 7/2000 Haas D14/437
 6,323,064 B1 * 11/2001 Lee G11C 5/04 257/E21.504
 D456,414 S * 4/2002 Turin D14/437
 6,460,773 B1 * 10/2002 Kaiya G06K 19/07745 235/441
 6,601,770 B1 * 8/2003 Ikefuji G06K 7/0008 235/441
 6,719,206 B1 * 4/2004 Bashan G06K 19/07747 235/492
 6,908,038 B1 * 6/2005 Le G06K 19/077 235/492
 D510,935 S * 10/2005 Yamada D14/436

D517,072 S * 3/2006 Yamada D14/436
 D517,559 S * 3/2006 Yu D14/436
 D523,435 S * 6/2006 Takiar D14/436
 7,057,268 B1 * 6/2006 d'Estries G06K 19/07732 257/679
 D525,248 S * 7/2006 Takiar D14/436
 D525,623 S * 7/2006 Takiar D14/436
 D525,978 S * 8/2006 Takiar D14/436
 D533,556 S * 12/2006 Yamada D14/436
 D537,081 S * 2/2007 Takiar D14/436
 7,179,129 B1 * 2/2007 Hwang G06K 19/07 439/630
 D538,286 S * 3/2007 Takiar D14/436
 7,193,161 B1 * 3/2007 Takiar H01L 23/49855 174/521
 7,210,967 B1 * 5/2007 Lee G06K 19/07743 439/630
 D552,098 S * 10/2007 Nishizawa D14/436
 D552,099 S * 10/2007 Nishizawa D14/436
 7,293,716 B1 * 11/2007 Miks H01L 21/561 235/451
 7,307,848 B2 * 12/2007 Takiar G06K 19/077 361/736
 7,326,086 B1 * 2/2008 Lee G06K 19/07741 439/630
 7,371,119 B1 * 5/2008 Lee G06K 7/0043 439/630
 7,374,104 B2 * 5/2008 Aoki G06K 19/07732 235/492
 D571,810 S * 6/2008 Ikeda D14/437
 7,410,376 B2 * 8/2008 Ying H01R 13/2442 439/159
 7,416,451 B2 * 8/2008 Tanaka G06K 7/0021 439/630
 7,458,519 B2 * 12/2008 Aoki G06K 19/077 235/451
 D603,812 S * 11/2009 Johnson D13/182
 7,813,137 B2 * 10/2010 Gu G06K 13/085 361/737
 D638,431 S * 5/2011 Pomerantz D14/436
 D643,040 S * 8/2011 Sedio D14/436
 8,142,229 B1 * 3/2012 Bobuk G06K 13/0806 439/630
 D669,478 S * 10/2012 Lepp D14/436
 8,291,144 B2 * 10/2012 Pinto G06F 13/409 710/16
 8,319,352 B2 * 11/2012 Shinohara G11O 5/02 257/686
 D681,640 S * 5/2013 Aoki D14/436
 8,451,122 B2 * 5/2013 Narendra G06K 19/0701 235/380
 8,531,719 B2 * 9/2013 Takatsuka G06K 15/00 358/1.15
 8,649,820 B2 * 2/2014 Schwandt G06K 19/07732 455/557
 D702,240 S * 4/2014 Lepp D14/436
 D703,208 S * 4/2014 Lepp D14/436
 D707,682 S * 6/2014 Florek D14/436
 8,884,415 B2 * 11/2014 Khunpukdee H01L 23/49541 257/676
 D720,354 S * 12/2014 Komatsu D14/437
 D730,360 S * 5/2015 Bousmaha D14/437
 D736,216 S * 8/2015 Kang D14/436
 D739,856 S * 9/2015 Kang D14/436
 9,622,359 B2 * 4/2017 Finn H05K 3/46
 2003/0155424 A1 * 8/2003 Guion G06K 19/07743 235/492
 2004/0133787 A1 * 7/2004 Doughty G06Q 20/327 713/186
 2004/0175976 A1 * 9/2004 Park H01R 13/26 439/176
 2004/0259291 A1 * 12/2004 Takiar G06K 19/077 438/113
 2005/0007744 A1 * 1/2005 Okita G06K 19/07728 361/728
 2005/0011671 A1 * 1/2005 Takiar G06K 13/0825 174/256

(56)

References Cited

U.S. PATENT DOCUMENTS

2012/0103838 A1* 5/2012 Weinert A45C 11/182
206/39
2012/0168517 A1* 7/2012 Lee H01Q 1/243
235/492
2012/0201091 A1* 8/2012 Hook G11C 29/48
365/201
2013/0080702 A1* 3/2013 Cho G06F 12/00
711/115
2013/0102170 A1* 4/2013 Yang G06K 7/0021
439/153
2013/0275641 A1* 10/2013 Tsai G06F 13/4068
710/301
2013/0288535 A1* 10/2013 You H01R 24/62
439/634
2013/0320088 A1* 12/2013 Lin G06K 7/0021
235/441
2014/0099805 A1* 4/2014 Kutchery H04B 1/3816
439/76.1
2014/0113460 A1* 4/2014 Park G06K 13/085
439/39
2014/0127947 A1* 5/2014 Han G06K 19/07739
439/630

* cited by examiner

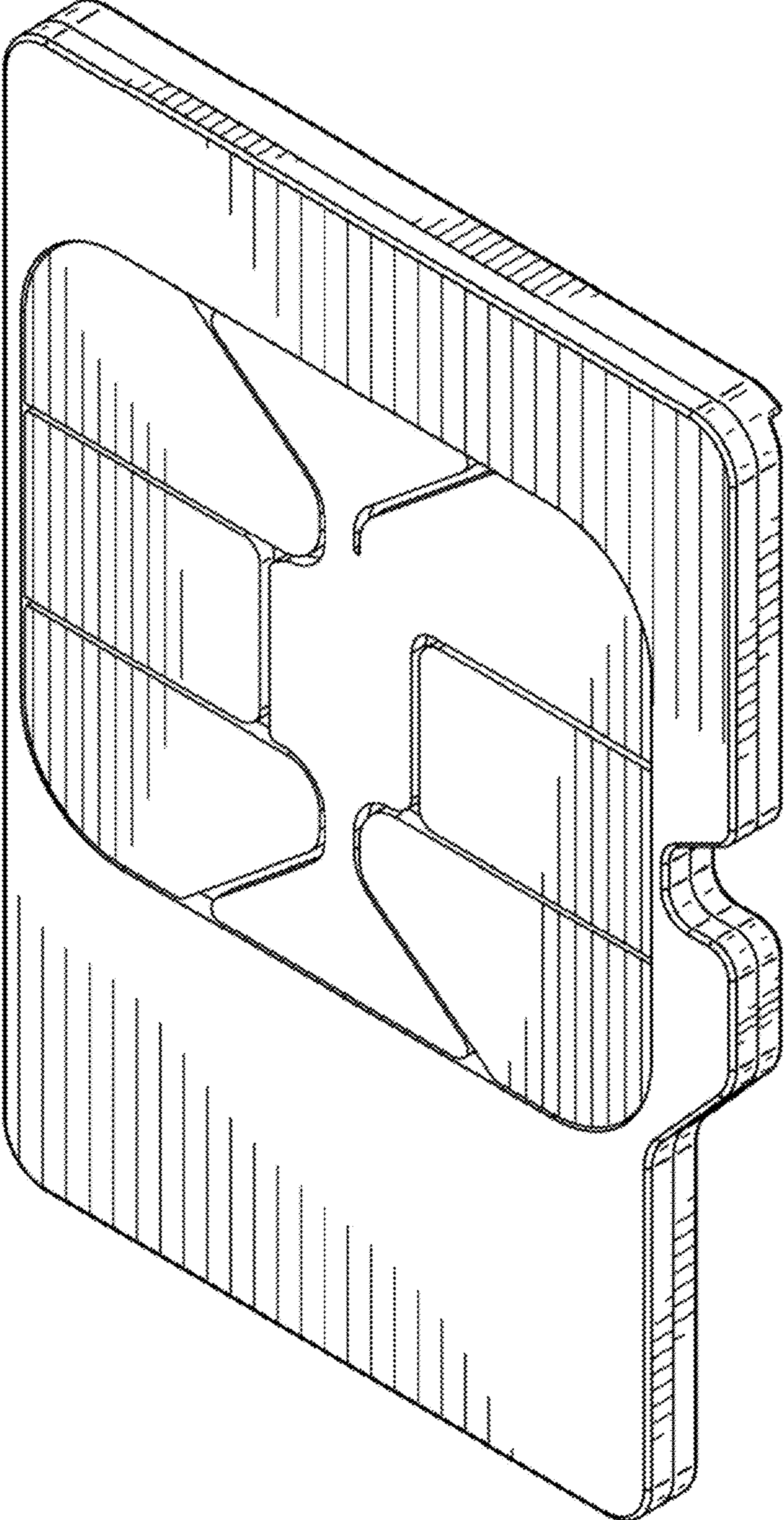


FIG. 1

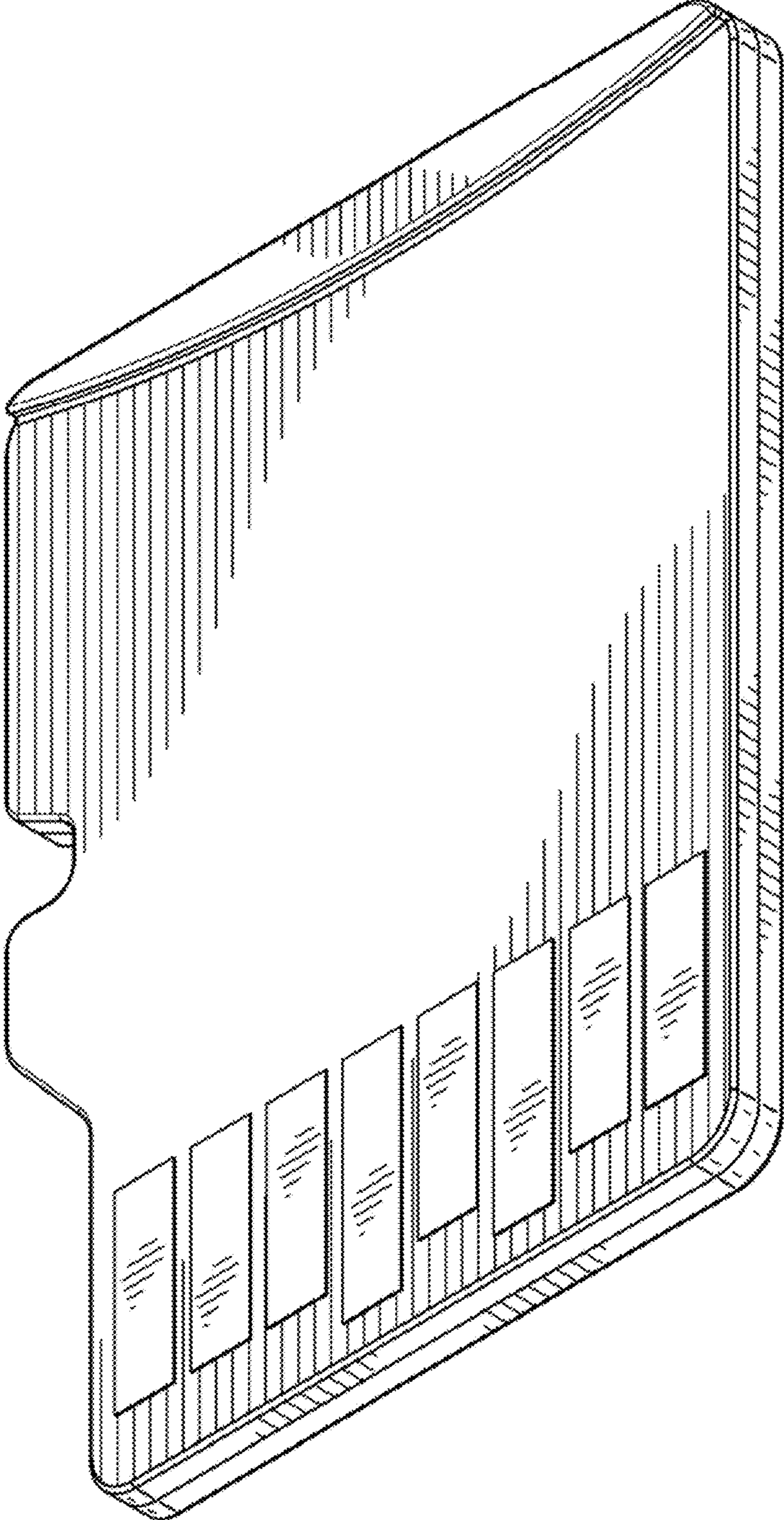


FIG. 2

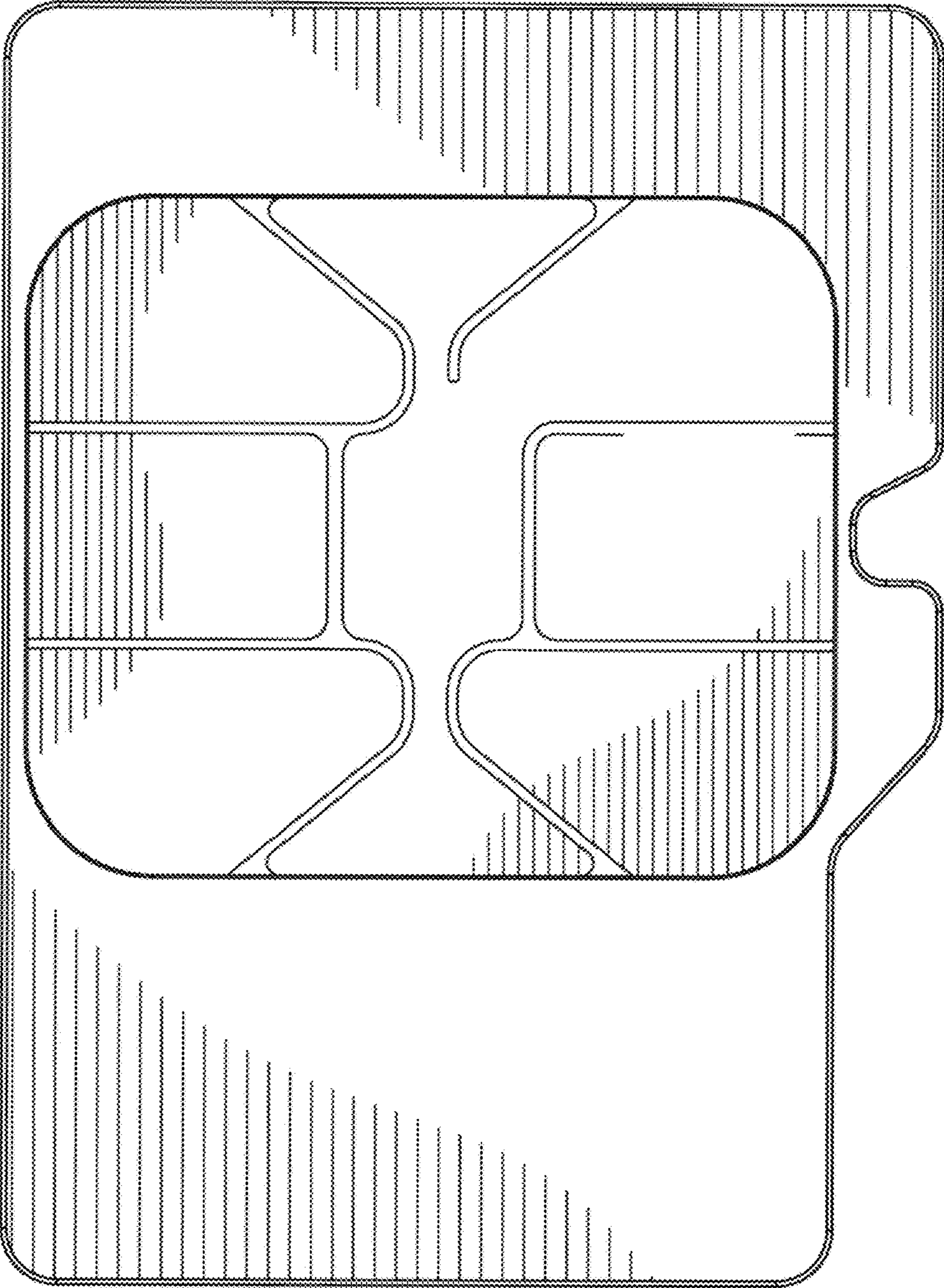


FIG. 3

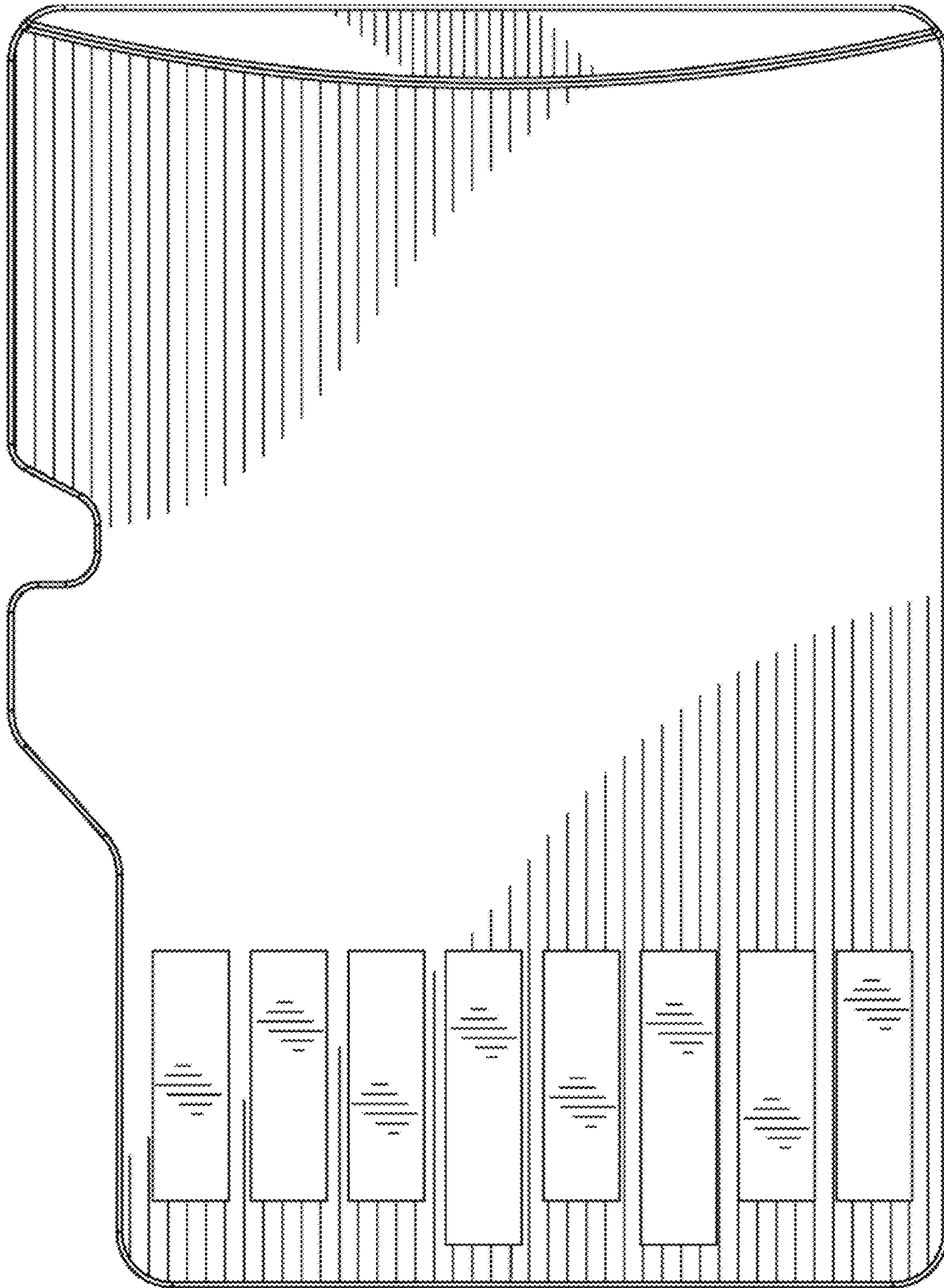


FIG. 4

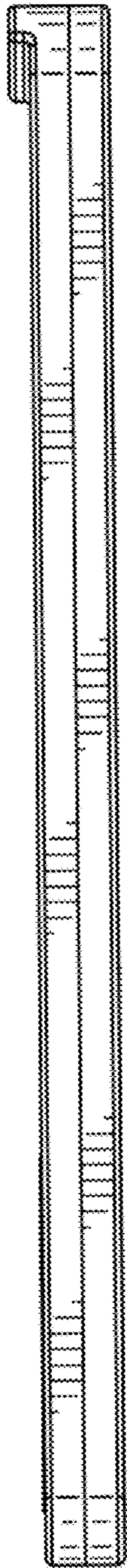


FIG. 5

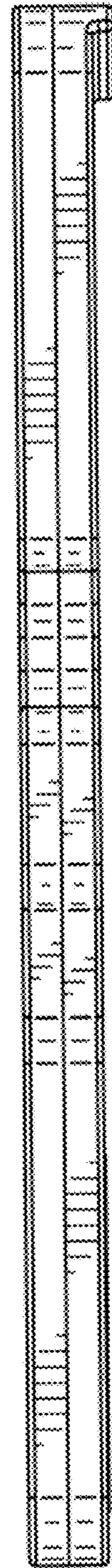


FIG. 6



FIG. 7

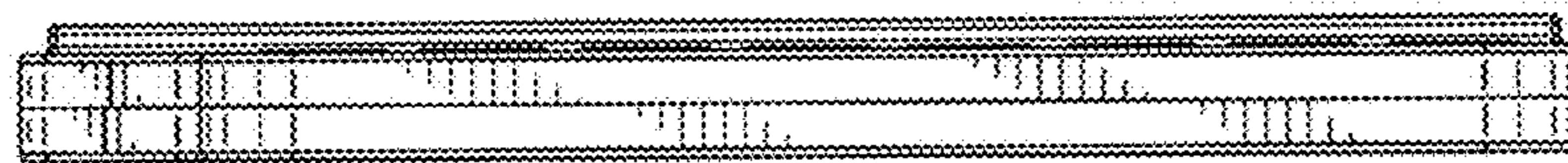


FIG. 8