



US00D798867S

(12) **United States Design Patent**  
**Carnevali**

(10) **Patent No.: US D798,867 S**  
(45) **Date of Patent: \*\* Oct. 3, 2017**

(54) **SMALL DESKTOP DOCKING STATION**

(71) Applicant: **Jeffrey D. Carnevali**, Seattle, WA (US)

(72) Inventor: **Jeffrey D. Carnevali**, Seattle, WA (US)

(\*\*) Term: **15 Years**

(21) Appl. No.: **29/556,464**

(22) Filed: **Mar. 1, 2016**

(51) **LOC (10) Cl. .... 14-02**

(52) **U.S. Cl.**  
USPC ..... **D14/434**

(58) **Field of Classification Search**  
USPC ..... D14/434, 440, 447, 251–253, 432, 451,  
D14/452, 454, 140, 142, 149, 217, 240,  
D14/299, 496, 356, 358; D13/103, 107,  
D13/108, 118, 119, 184; D3/201, 215,  
D3/218

CPC .... G06F 1/1616; G06F 1/1626; G06F 1/1632;  
H01M 10/44; F16M 11/10; H02J 7/0042;  
H02J 7/00; H02J 7/0027; H02J 7/0044;  
H02J 7/0045; H01R 31/065

See application file for complete search history.

(56) **References Cited**

**U.S. PATENT DOCUMENTS**

D349,097 S *	7/1994	Watanabe .....	D13/108
D358,364 S *	5/1995	Siddoway .....	D13/108
D358,821 S *	5/1995	Hellier .....	D13/108
D360,723 S *	7/1995	Kasai .....	D13/108
D361,069 S *	8/1995	Hellier .....	D13/108
D368,892 S *	4/1996	Tanaka .....	D13/108
D402,258 S *	12/1998	Kawakami .....	D13/107
D402,957 S *	12/1998	Kuwayama .....	D13/108
D408,783 S *	4/1999	Lucaci .....	D13/107
D414,742 S *	10/1999	Chang .....	D13/107
D417,430 S *	12/1999	Ko .....	D13/107
D419,956 S *	2/2000	Lucaci .....	D13/108

6,049,192 A *	4/2000	Kfoury .....	H02J 7/0044 320/113
D426,808 S *	6/2000	Hsiao .....	D13/107
D427,966 S *	7/2000	Foster .....	D13/107
D427,967 S *	7/2000	Lloyd .....	D13/107
D428,597 S *	7/2000	Murata .....	D13/108
D432,496 S *	10/2000	Collins .....	D13/108
6,127,802 A *	10/2000	Lloyd .....	H02J 7/0045 320/107
D436,576 S *	1/2001	Herrmann .....	D13/107
D440,936 S *	4/2001	Burns .....	D13/107
D441,364 S *	5/2001	Lawhon .....	D14/403

(Continued)

*Primary Examiner* — Susan Bennett Hattan

*Assistant Examiner* — Marie D. Fast Horse

(74) *Attorney, Agent, or Firm* — Charles J. Rupnick

(57) **CLAIM**

The ornamental design for a small desktop docking station, as shown and described.

**DESCRIPTION**

FIG. 1 is a top front right side perspective view showing my new design;

FIG. 2 is a top front left side perspective view thereof;

FIG. 3 is a bottom perspective view thereof;

FIG. 4 is a top elevational view thereof;

FIG. 5 is a bottom elevational view thereof

FIG. 6 is a front elevational view thereof;

FIG. 7 is a rear elevational view thereof;

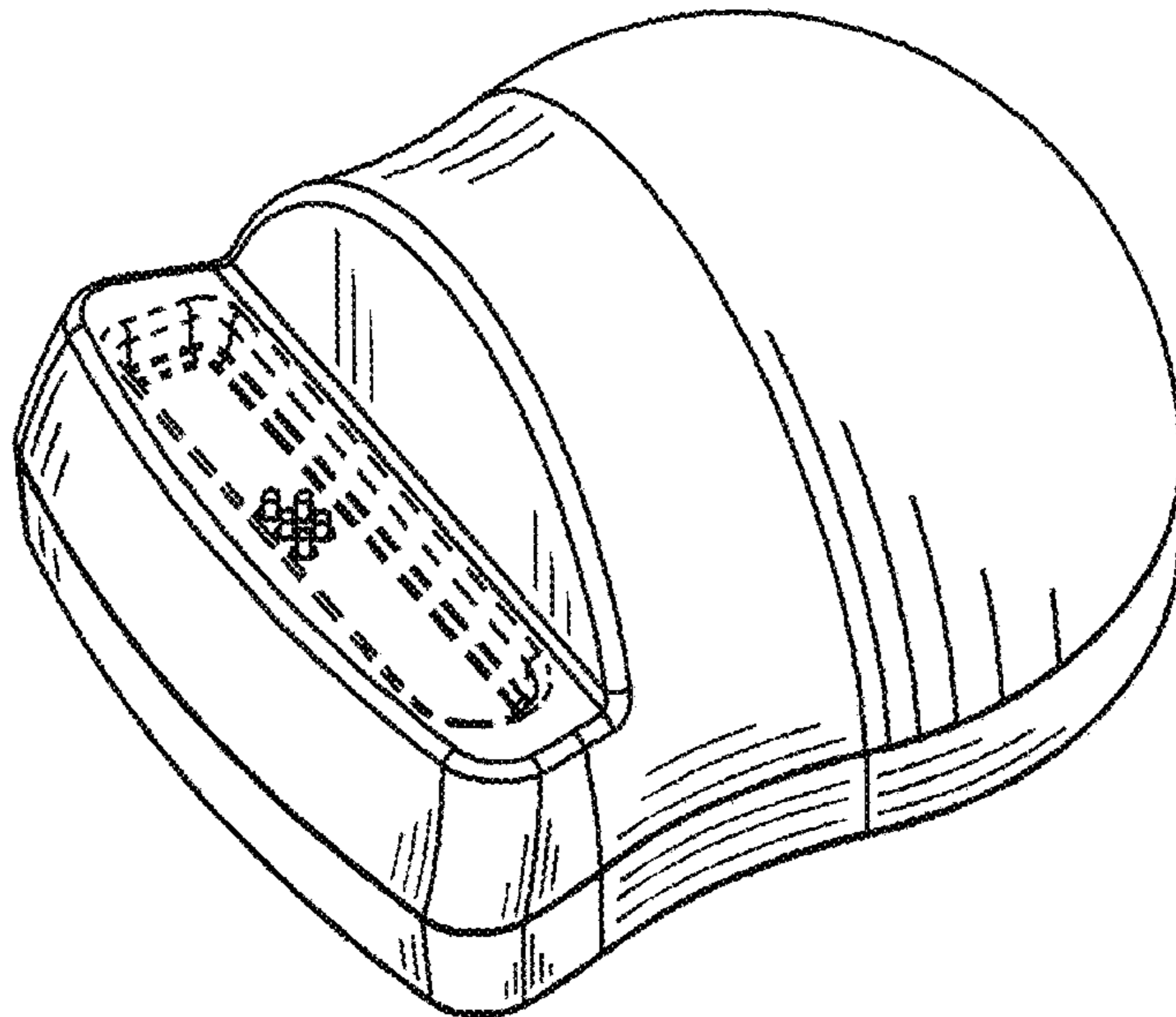
FIG. 8 is a right side elevational view thereof; and,

FIG. 9 is a left side elevational view thereof.

In the drawings, the claimed design is defined by the solid lines and shaded surfaces; the unshaded surfaces shown between the solid lines and the broken lines form no part of the claim.

The broken lines in the drawings depict portions of the small desktop docking station that form no part of the claimed design.

**1 Claim, 9 Drawing Sheets**



(56)

**References Cited**

U.S. PATENT DOCUMENTS

D445,399	S	*	7/2001	Kolinen	.....	D13/107
D448,724	S	*	10/2001	Hsiao	.....	D13/107
D456,005	S	*	4/2002	Jokinen	.....	D13/108
D456,350	S	*	4/2002	Mott	.....	D13/108
D458,266	S	*	6/2002	Herath	.....	D14/434
D459,299	S	*	6/2002	Hughes	.....	D13/108
D463,361	S	*	9/2002	Ruohonen	.....	D13/108
D467,866	S	*	12/2002	Hsiao	.....	D13/107
D467,867	S	*	12/2002	Hsiao	.....	D13/107
D475,347	S	*	6/2003	Sheehan	.....	D13/108
D478,884	S	*	8/2003	Slipy	.....	D13/108
D507,794	S	*	7/2005	Wang	.....	D14/434
D515,502	S	*	2/2006	Wen	.....	D13/107
D600,203	S	*	9/2009	Woon	.....	D13/107
D600,204	S	*	9/2009	Woon	.....	D13/107
D629,806	S	*	12/2010	Ho	.....	D14/434
D677,220	S	*	3/2013	Ploss	.....	D13/108
D702,665	S	*	4/2014	Kim	.....	D14/217
D721,649	S	*	1/2015	Tsai	.....	D13/108
D722,056	S	*	2/2015	Nguyen	.....	D13/108
D761,967	S	*	7/2016	Tsai	.....	D24/186
2005/0024011	A1	*	2/2005	Chen	.....	H02J 7/0054 320/107

\* cited by examiner

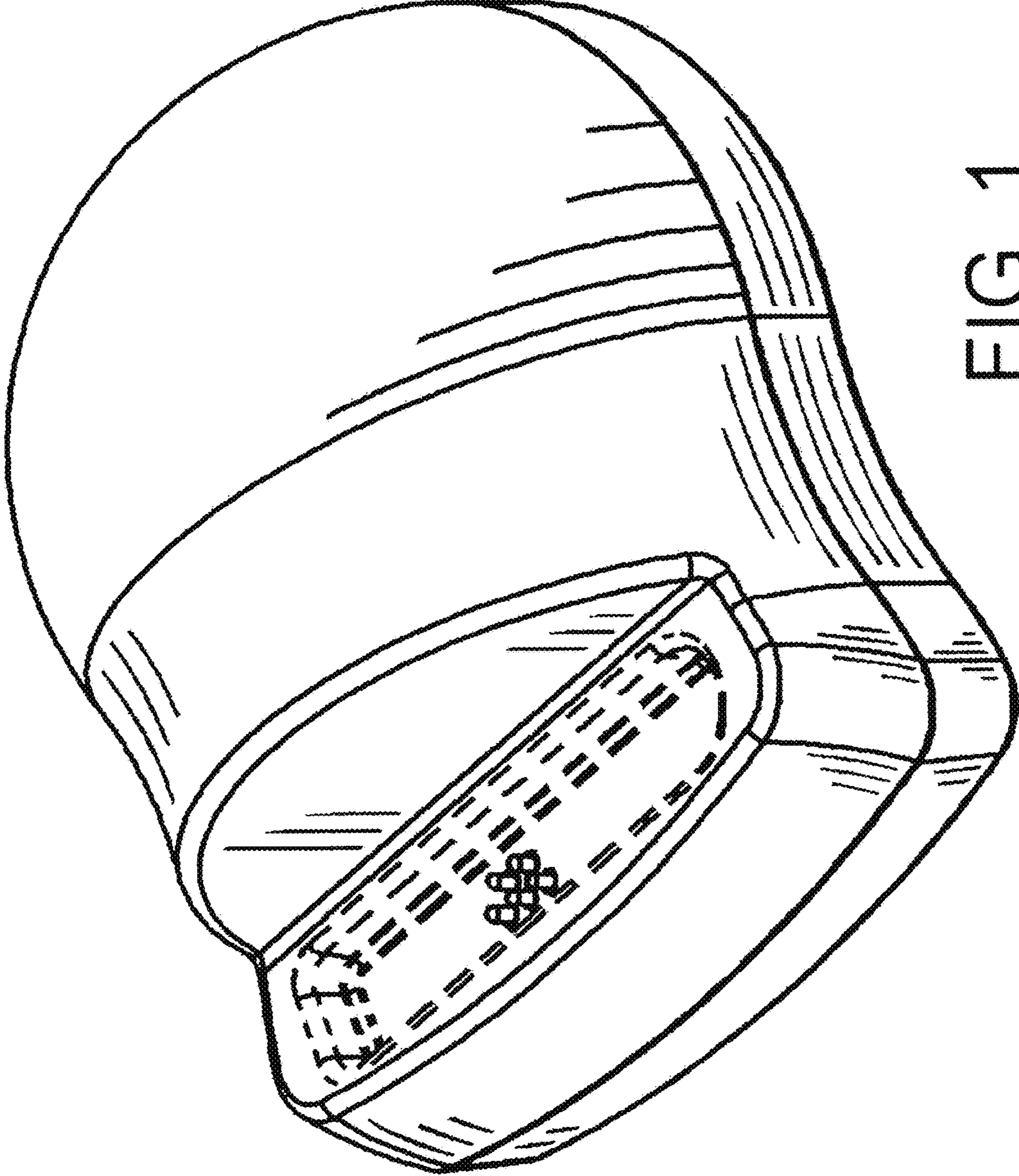


FIG. 1

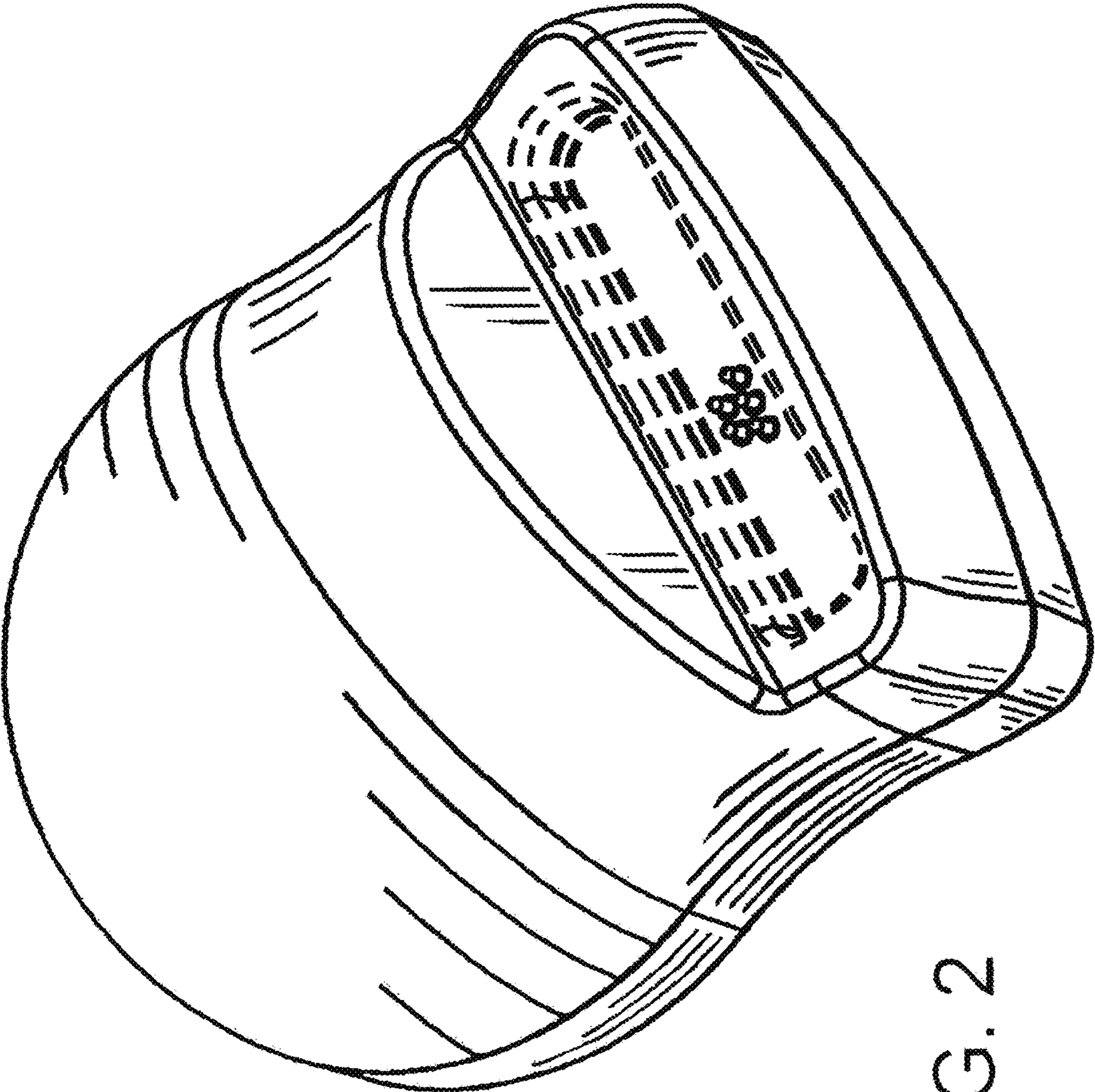


FIG. 2

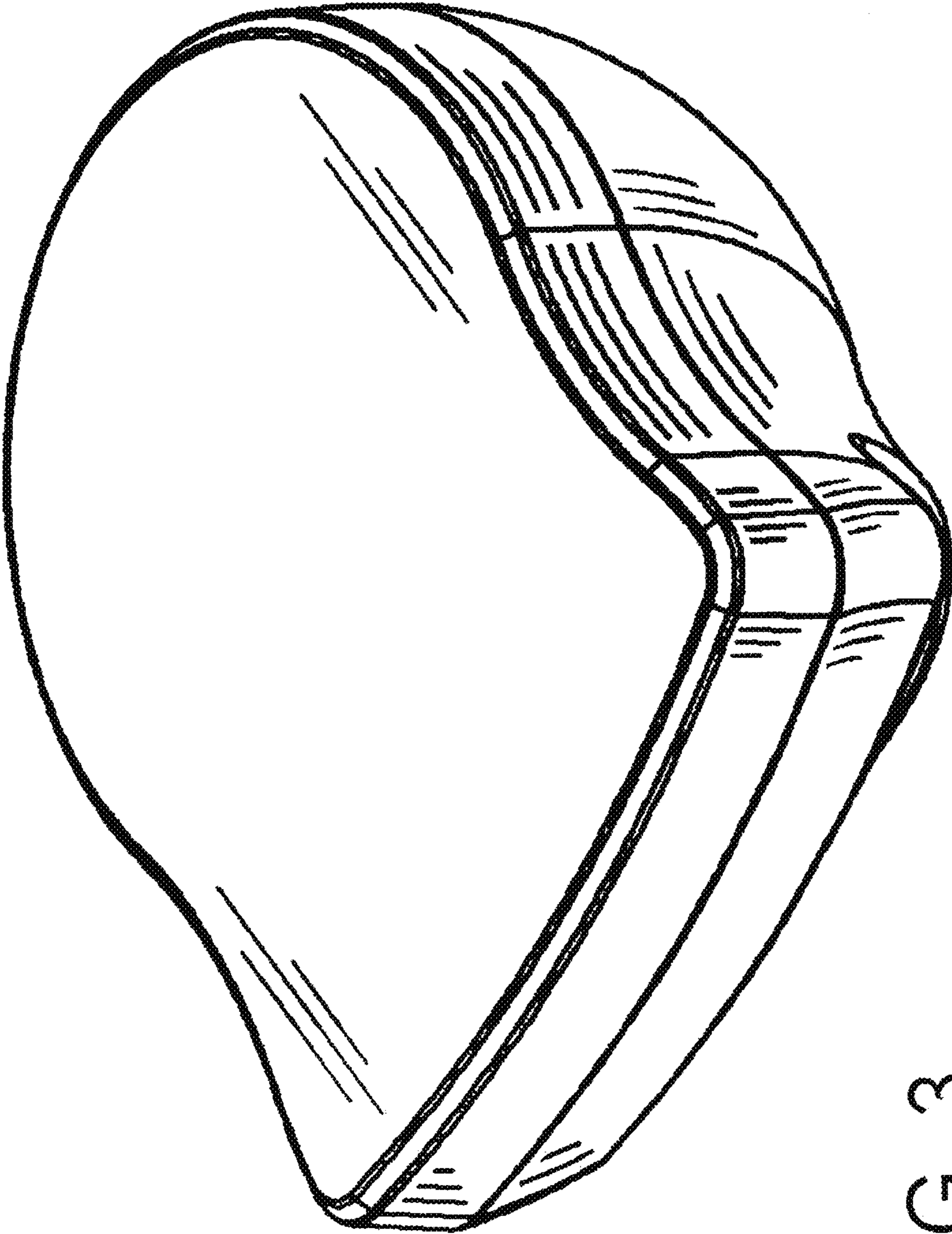


FIG. 3

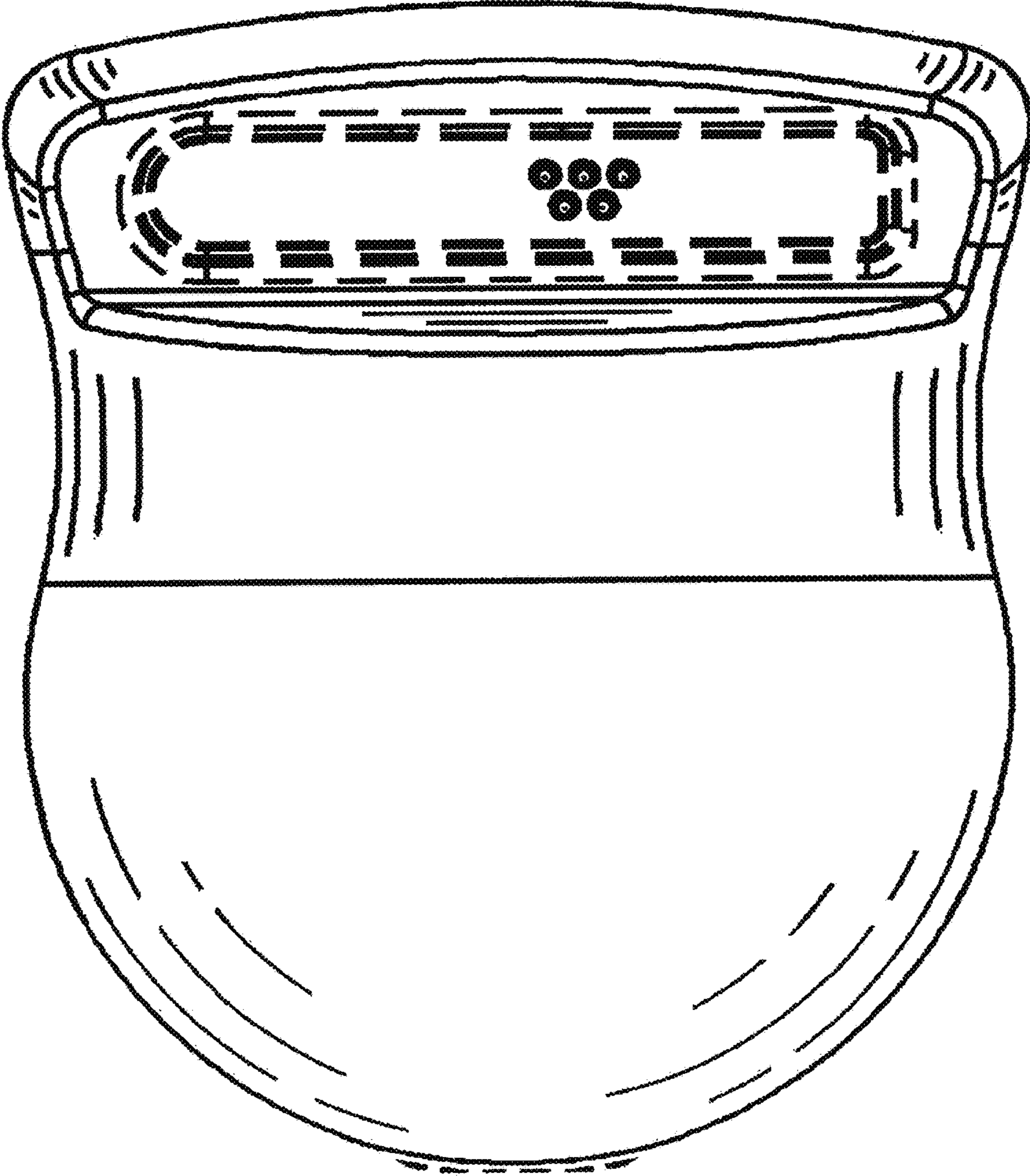


FIG. 4

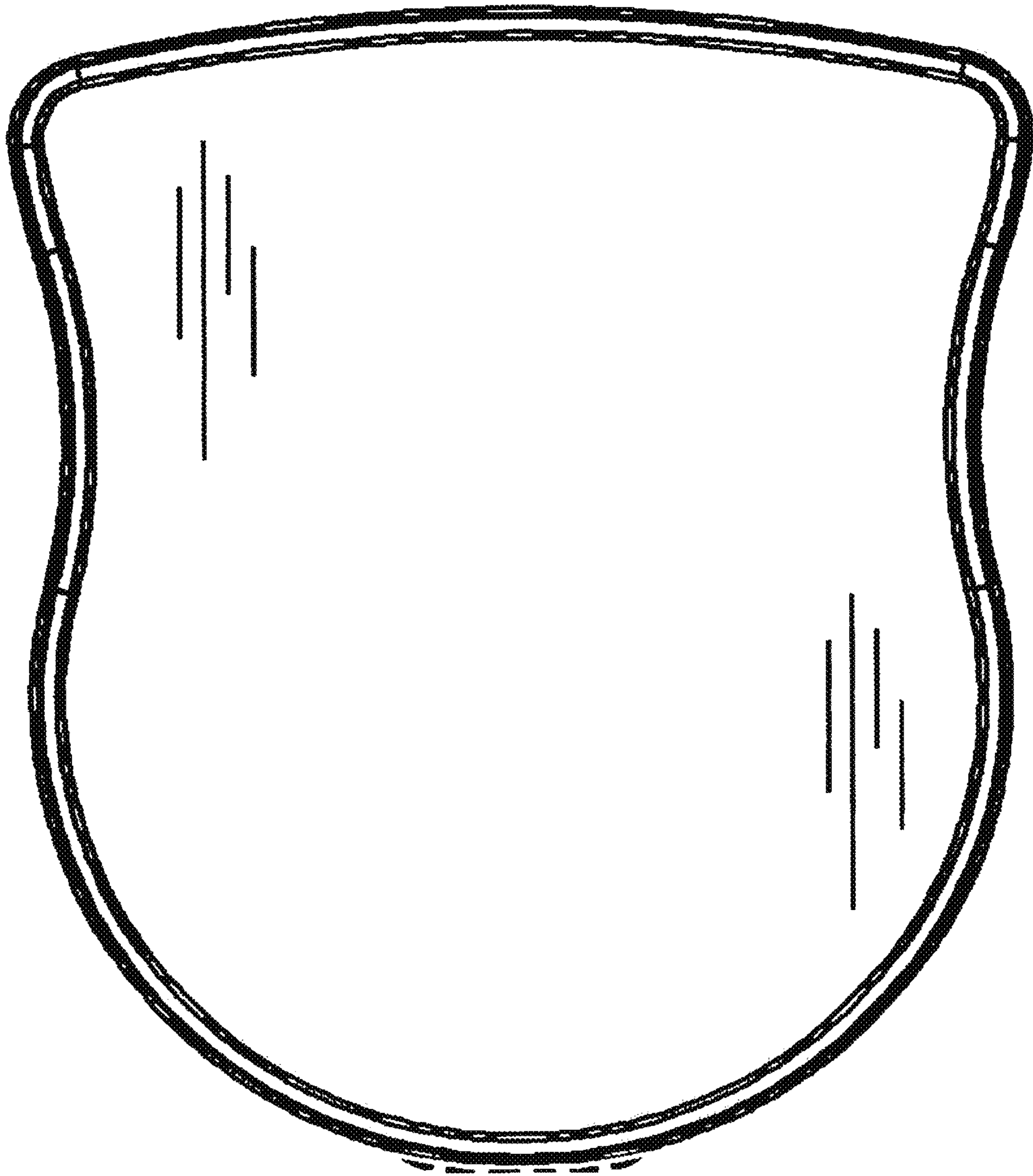


FIG. 5

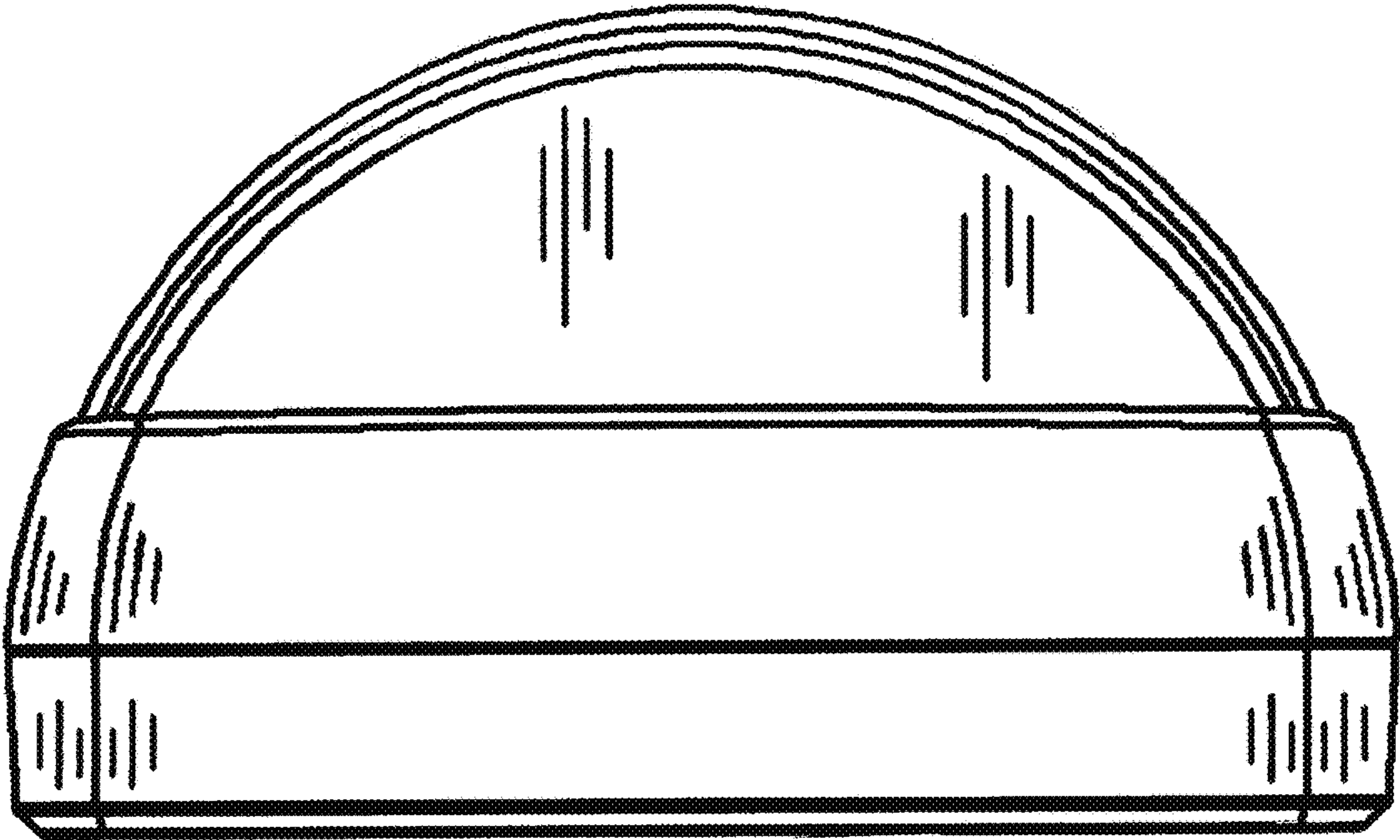


FIG. 6



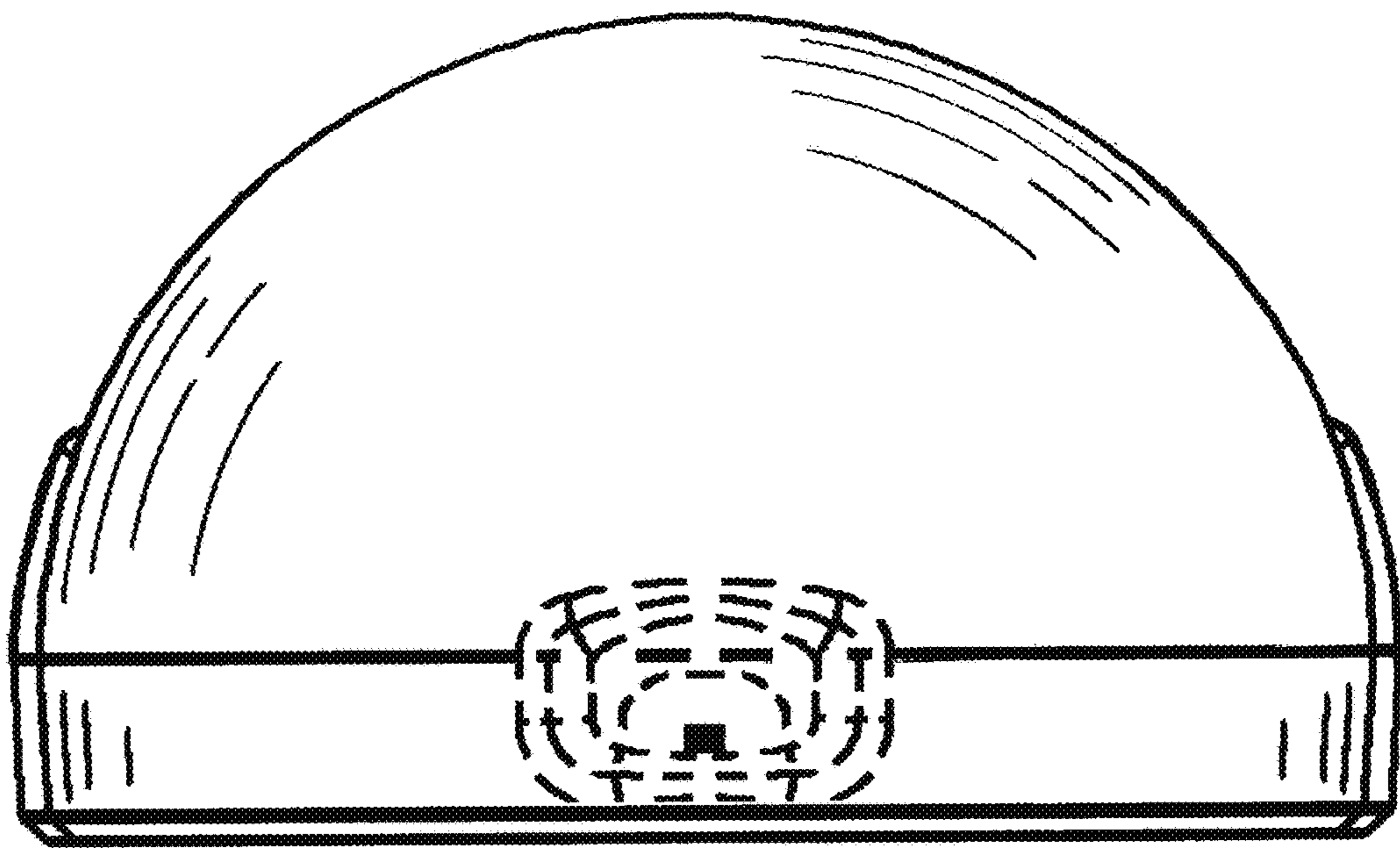


FIG. 7

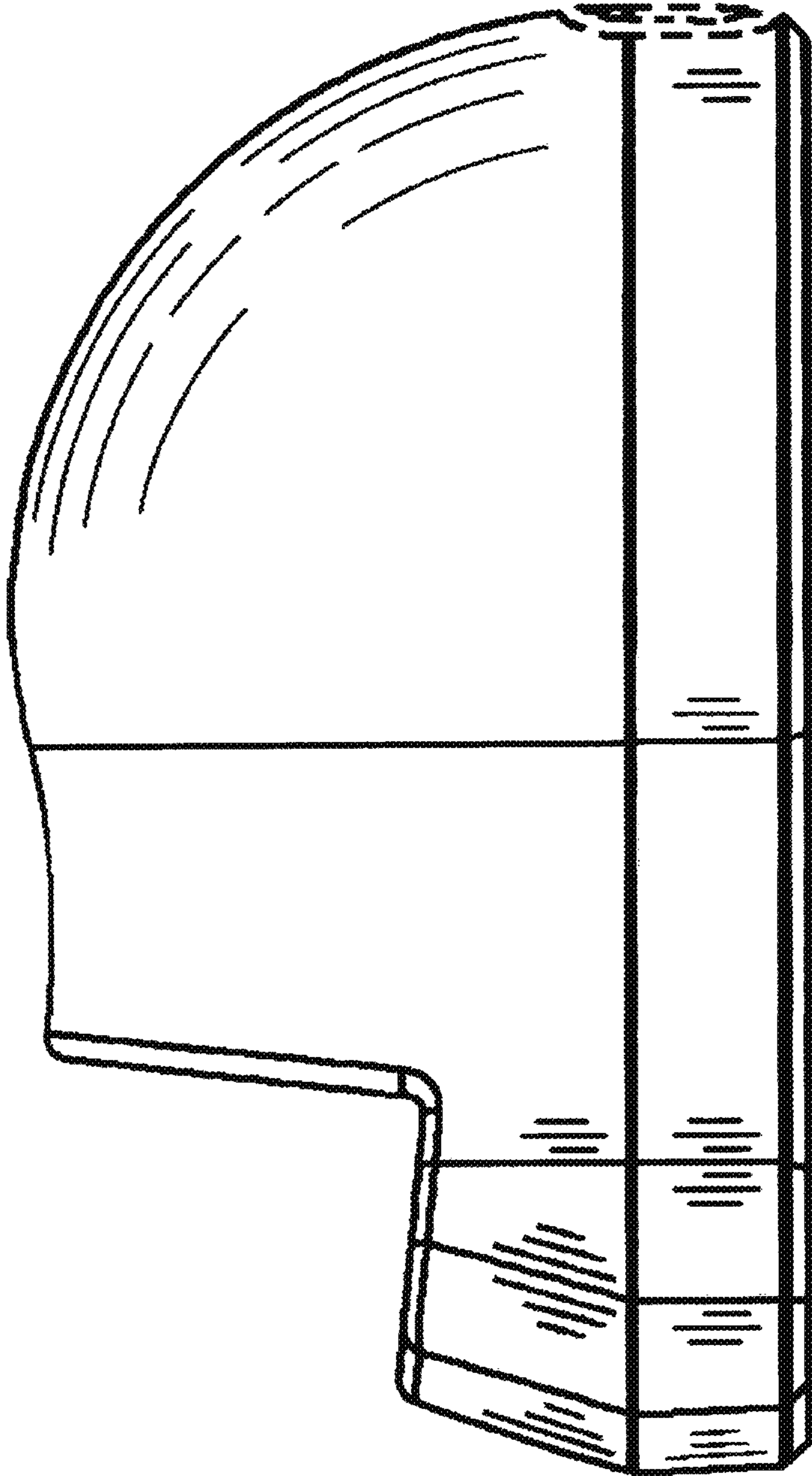


FIG. 8

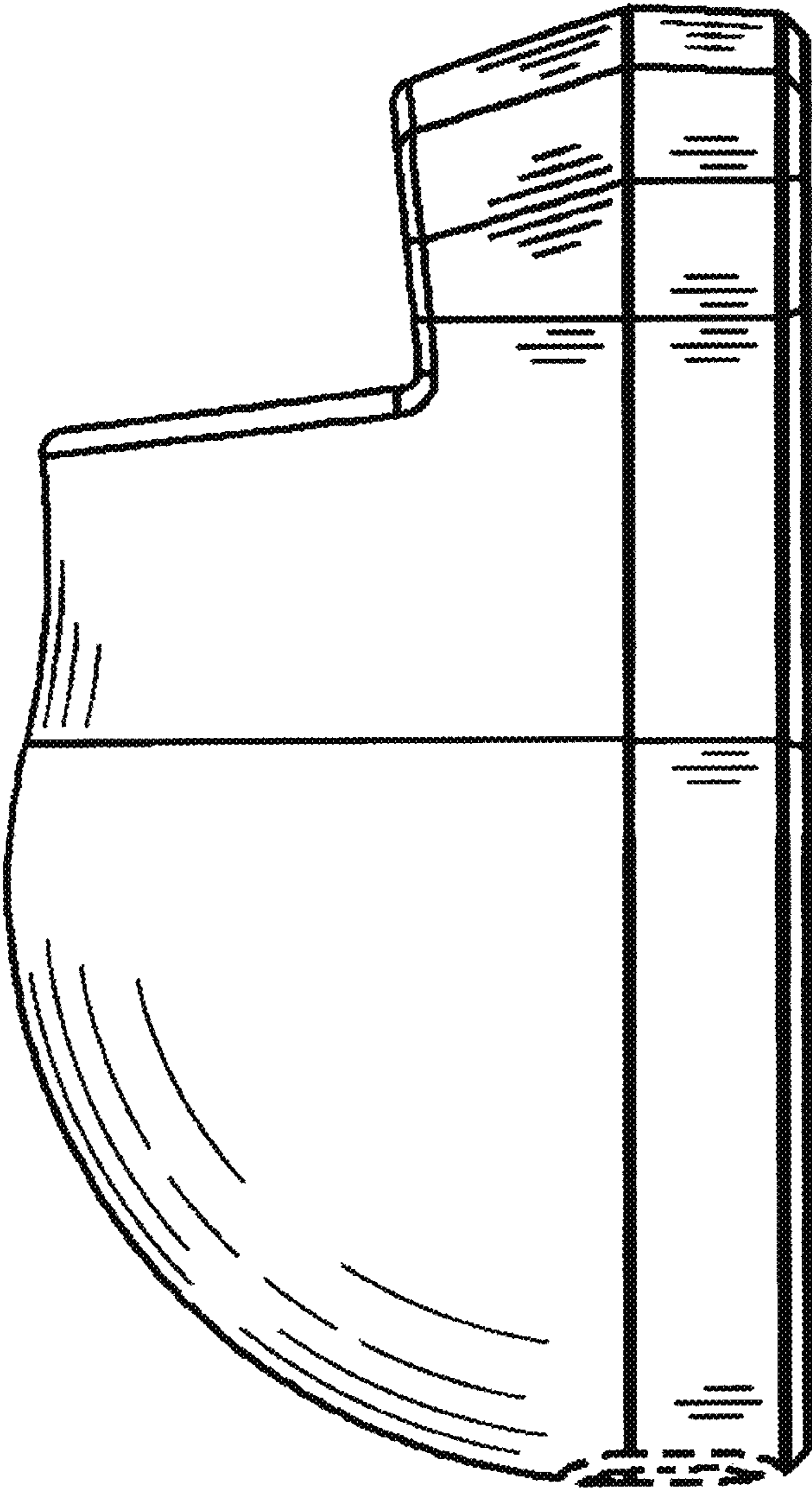


FIG. 9