



US00D798866S

(12) **United States Design Patent** (10) **Patent No.:** **US D798,866 S**  
**Abellera et al.** (45) **Date of Patent:** **\*\* Oct. 3, 2017**

(54) **ILLUMINATED RESPONSIVE DISPLAY ON A JOYSTICK**

*Primary Examiner* — Prabhakar G Deshmukh  
(74) *Attorney, Agent, or Firm* — Andrus Intellectual Property Law, LLP

(71) Applicant: **Brunswick Corporation**, Lake Forest, IL (US)

(72) Inventors: **Ryan C. Abellera**, Fond du Lac, WI (US); **Todd D. Dannenberg**, Oshkosh, WI (US)

(73) Assignee: **Brunswick Corporation**, Lake Forest, IL (US)

(\*\*) Term: **15 Years**

(21) Appl. No.: **29/536,888**

(22) Filed: **Aug. 20, 2015**

(51) **LOC (10) Cl.** ..... **14-02**

(52) **U.S. Cl.**  
USPC ..... **D14/413**

(58) **Field of Classification Search**  
USPC ..... D14/399–401, 412–416, 217, 218, 356,  
D14/432–434, 454, 496; D21/324, 332,  
(Continued)

(56) **References Cited**

U.S. PATENT DOCUMENTS

- 4,501,424 A \* 2/1985 Stone ..... G06F 3/0338  
200/17 R  
5,213,327 A \* 5/1993 Kitaue ..... G05G 9/04785  
463/38

(Continued)

OTHER PUBLICATIONS

BMW Technology Guide: iDrive, [http://www.bmw.com/com/en/insights/technology/technology\\_guide/articles/idrive](http://www.bmw.com/com/en/insights/technology/technology_guide/articles/idrive), website visited Jun. 10, 2015.

(Continued)

(57) **CLAIM**

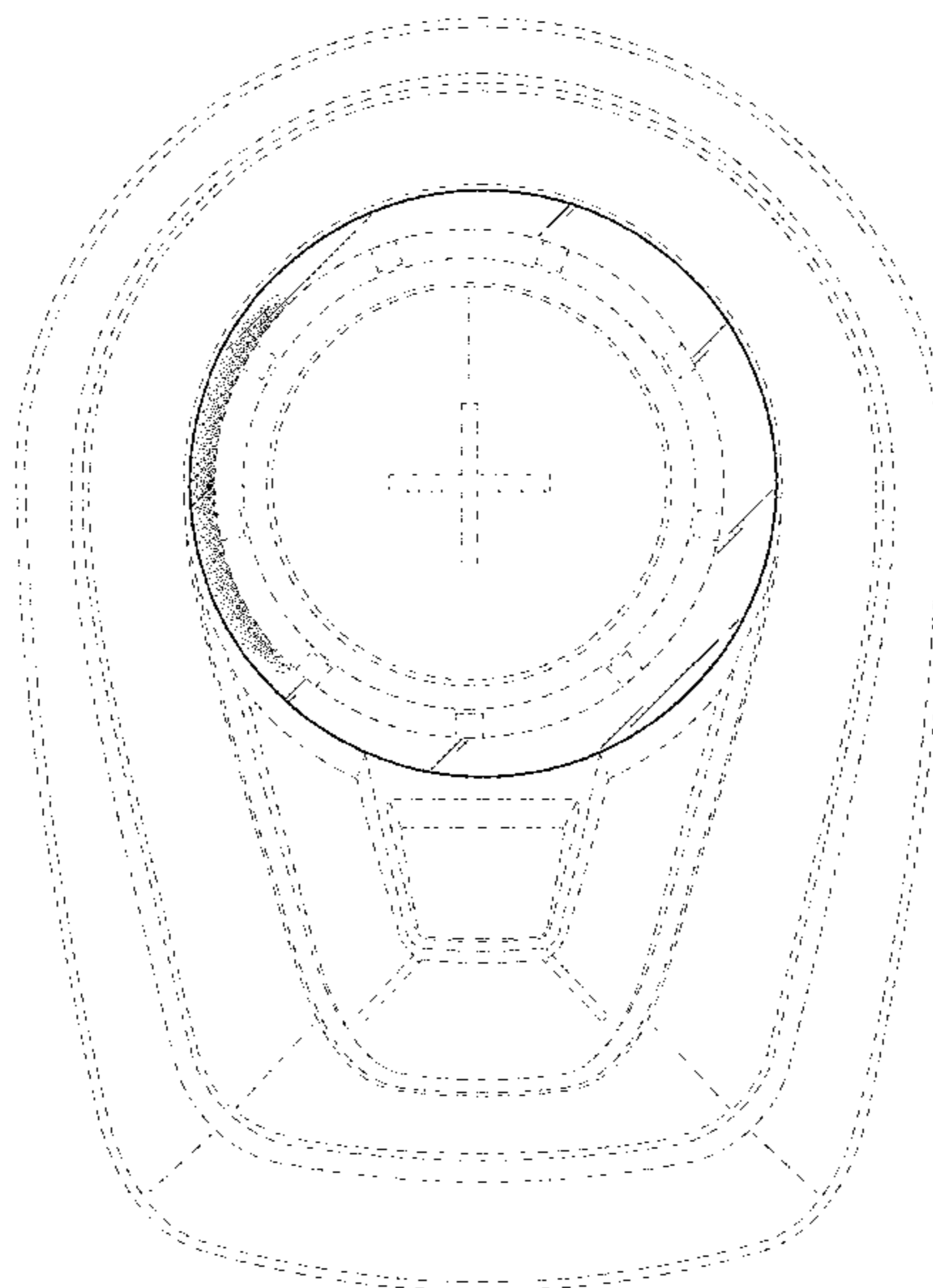
We claim the ornamental design for an illuminated responsive display on a joystick, as shown and described.

**DESCRIPTION**

FIG. 1 is a top view of an illuminated responsive display on a joystick showing our new design, showing a typical location of illumination on the illuminated responsive display when the joystick is in a first position;  
 FIG. 2 is a top view thereof, showing an alternate typical location of the illumination on the illuminated responsive display when the joystick is in a second position;  
 FIG. 3 is a top view thereof, showing an alternate typical location of the illumination on the illuminated responsive display when the joystick is in a third position;  
 FIG. 4 is a top view thereof, showing an alternate typical location of the illumination on the illuminated responsive display when the joystick is in a fourth position;  
 FIG. 5 is a top view thereof, showing an alternate typical location of the illumination on the illuminated responsive display when the joystick is in a fifth position; and,  
 FIG. 6 is a top view thereof, showing an alternate typical location of the illumination on the illuminated responsive display when the joystick is in a sixth position.

The surface shade lines shown between the outer circumference of the illuminated responsive and the first set of the inner broken lines depict a translucent portion of the illuminated responsive display. The broken lines showing remainder of the joystick are for environmental purposes only and form no part of the claimed design.

**1 Claim, 3 Drawing Sheets**



(58) **Field of Classification Search**

USPC ..... D21/333; 273/148 B; 463/1, 29–25, 46,  
463/47; 345/156–161, 905; D12/174,  
D12/178–180; 74/489, 551.8, 551.9;  
D13/168  
CPC .... A63F 9/00; A63F 9/24; A63F 13/00; A63F  
13/02; A63F 9/25  
See application file for complete search history.

(56) **References Cited**

U.S. PATENT DOCUMENTS

D357,947 S 5/1995 Richer  
D366,655 S 1/1996 Sanchez et al.  
5,515,044 A \* 5/1996 Glatt ..... H03K 17/9625  
341/20  
5,558,329 A \* 9/1996 Liu ..... A63F 13/06  
273/148 B  
5,749,577 A \* 5/1998 Couch ..... A63F 13/06  
273/148 B  
5,786,807 A \* 7/1998 Couch ..... A63F 13/06  
273/148 B  
5,982,355 A 11/1999 Jaeger et al.  
6,068,554 A \* 5/2000 Tyler ..... G05G 9/047  
345/161  
D428,012 S \* 7/2000 Cavacuiti ..... D14/413  
D444,785 S 7/2001 Whitehorn et al.  
D449,614 S 10/2001 Osborn et al.

6,826,042 B2 11/2004 Oross et al.  
6,896,563 B1 5/2005 Dickson  
D558,767 S 1/2008 Solland  
D598,023 S 8/2009 Miller et al.  
D599,829 S 9/2009 Jorgensen et al.  
8,060,265 B2 11/2011 Hallenstvedt et al.  
D658,184 S \* 4/2012 Chang ..... D14/413  
D693,346 S 11/2013 Coulter  
D698,357 S 1/2014 Mainville et al.  
8,700,238 B2 4/2014 Hiramatsu  
D706,268 S \* 6/2014 Beams ..... D14/413  
8,925,414 B1 1/2015 Park et al.  
D723,559 S \* 3/2015 Hein ..... D14/413  
D728,571 S \* 5/2015 Perris ..... D14/399  
D735,722 S \* 8/2015 Amann ..... D14/413  
2008/0288093 A1 11/2008 Kamentser et al.  
2008/0308400 A1 12/2008 States et al.  
2009/0055003 A1 2/2009 Tunick et al.  
2011/0279370 A1 11/2011 Wang et al.

OTHER PUBLICATIONS

Joystick driving—EVC Options: Volvo Penta, [http://volvopenta.com/volvopenta/east\\_europe/en-ee/marine\\_leisure\\_engines/accessories](http://volvopenta.com/volvopenta/east_europe/en-ee/marine_leisure_engines/accessories), website visited Jun. 10, 2015.  
SeaStar Solutions, Optimus 360 Joystick Control System, <http://www.seastarsolutions.com/products/electronic-power-steering/optimus-360-outboard>, website visited Jun. 10, 2015.

\* cited by examiner

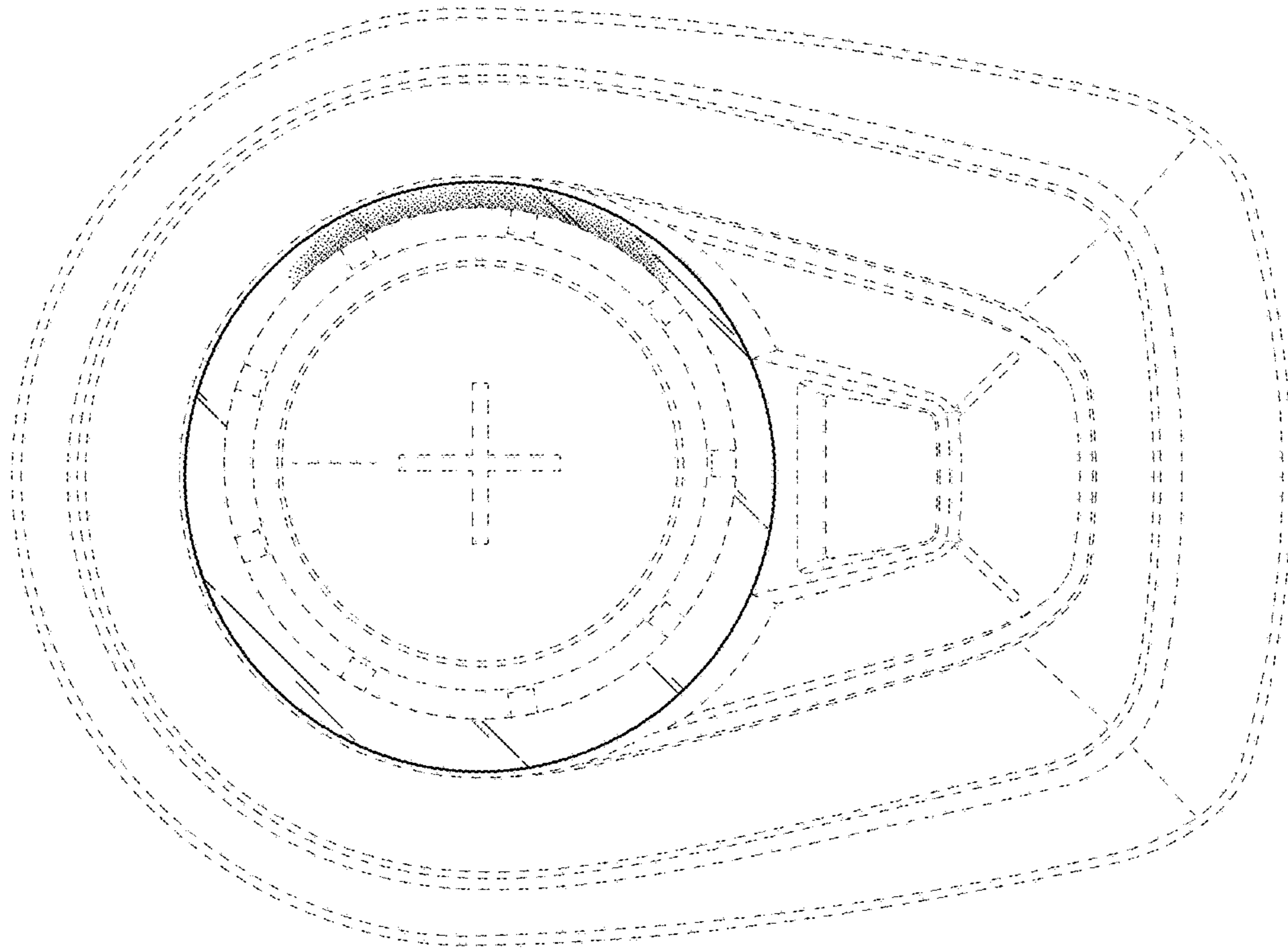


FIG. 2

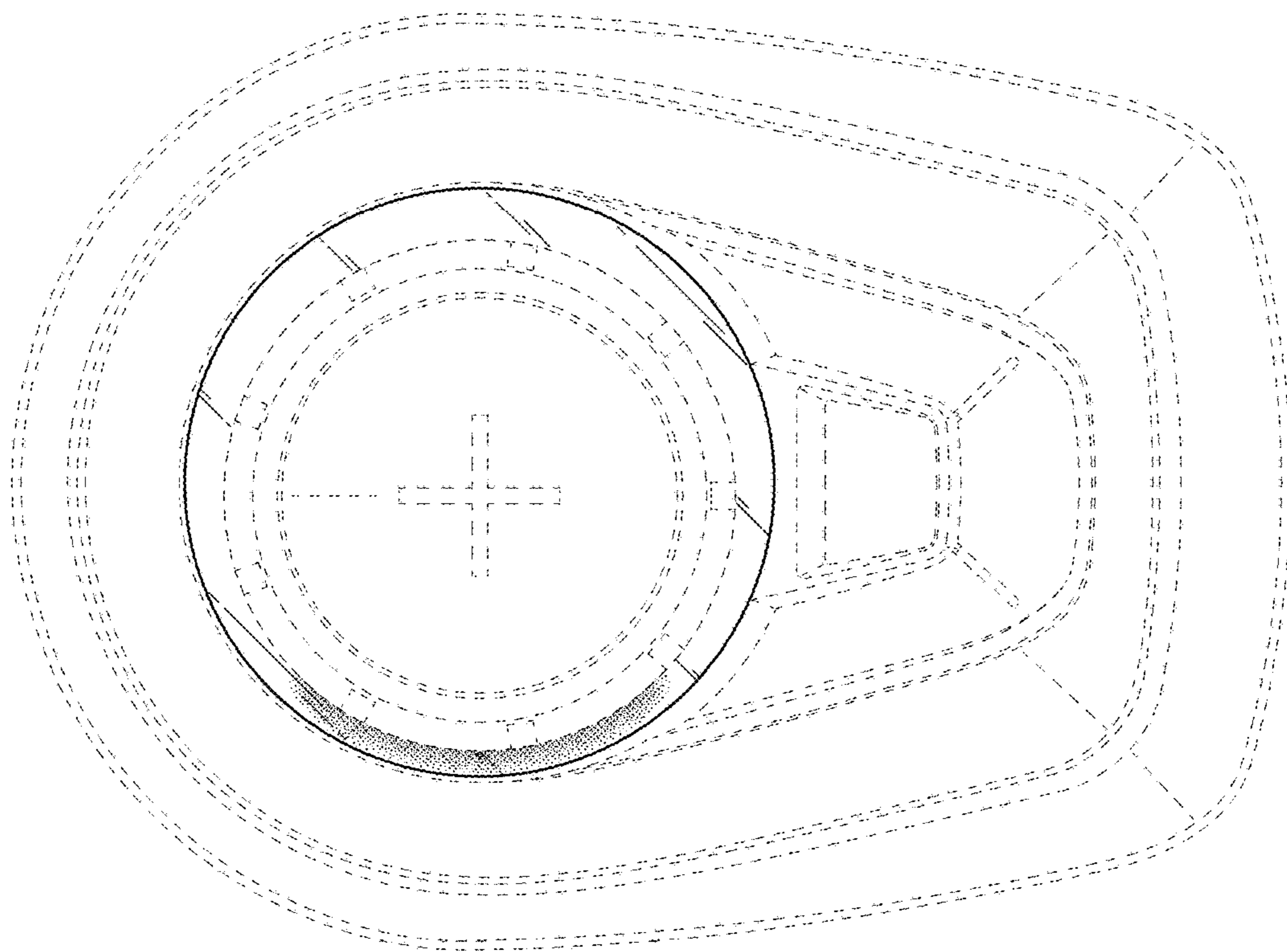


FIG. 1



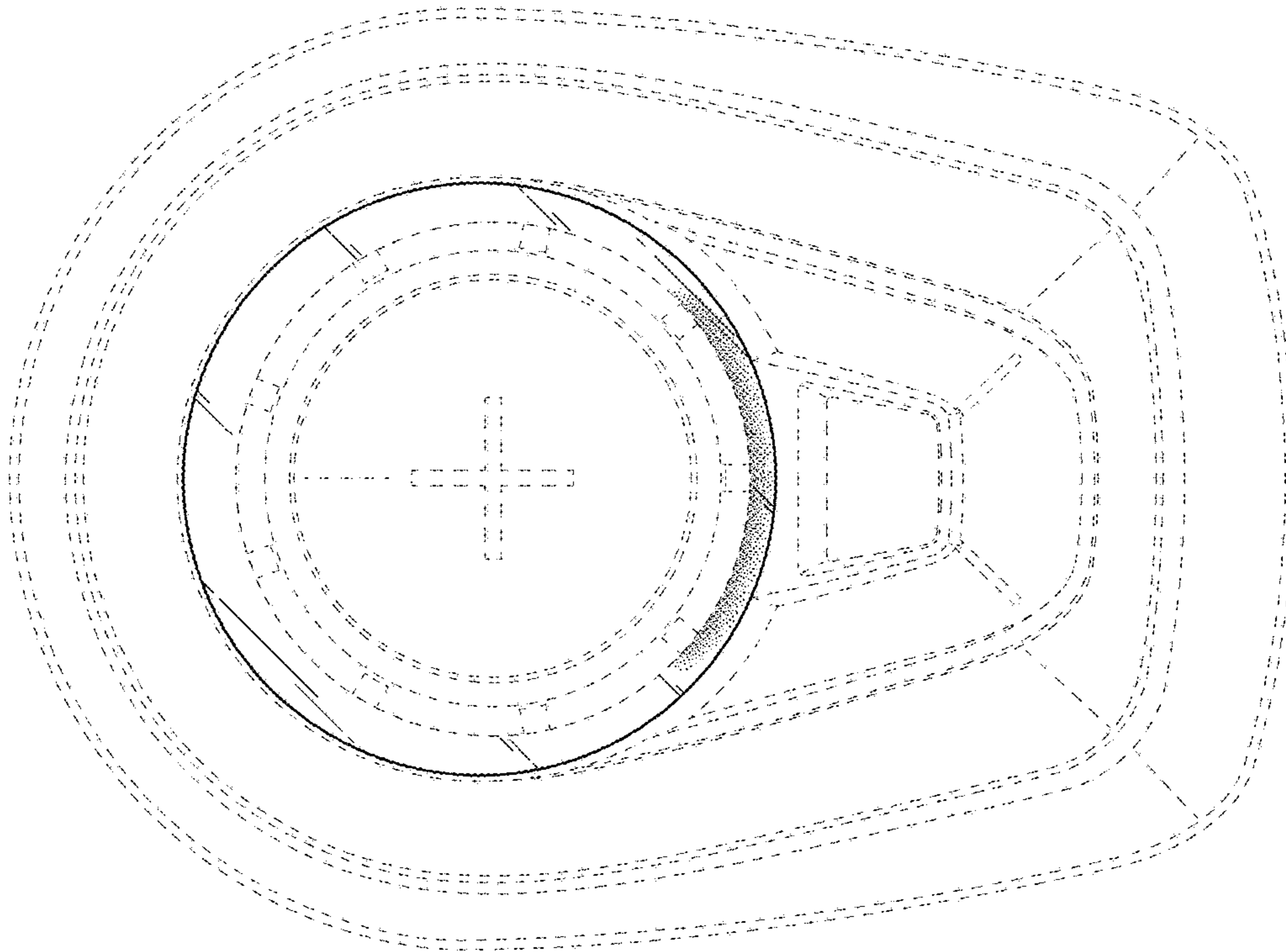


FIG. 4

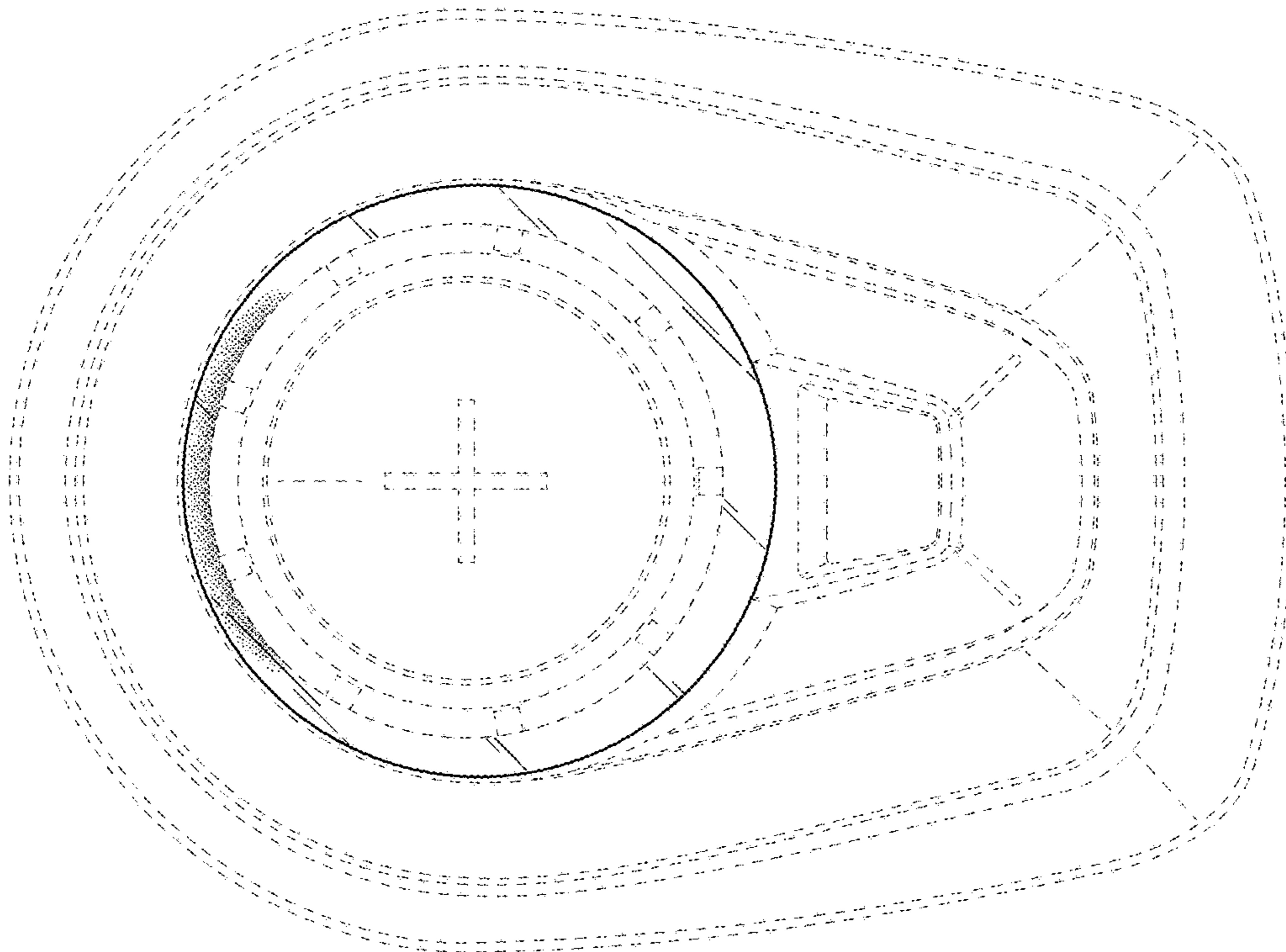


FIG. 3

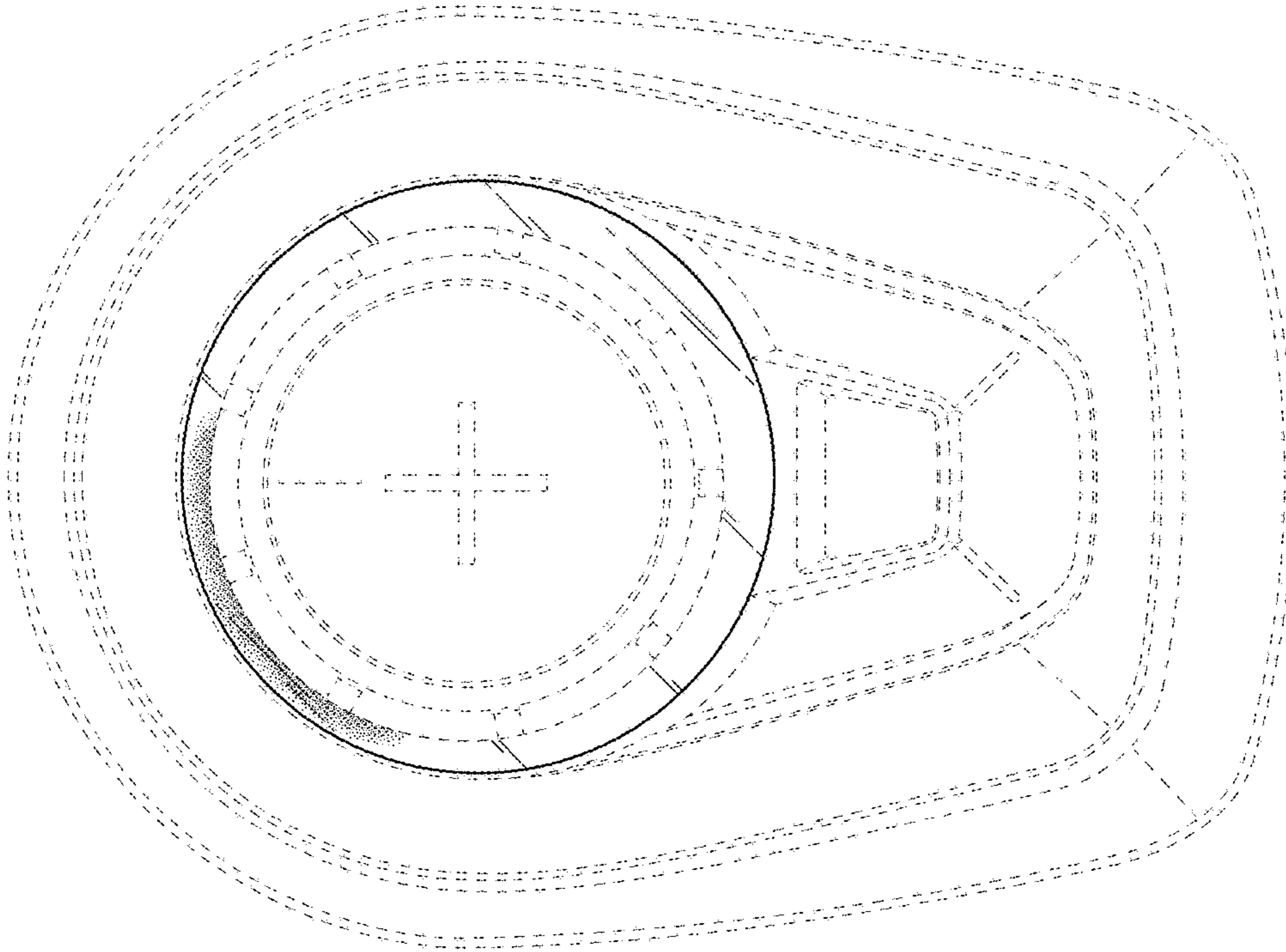


FIG. 6

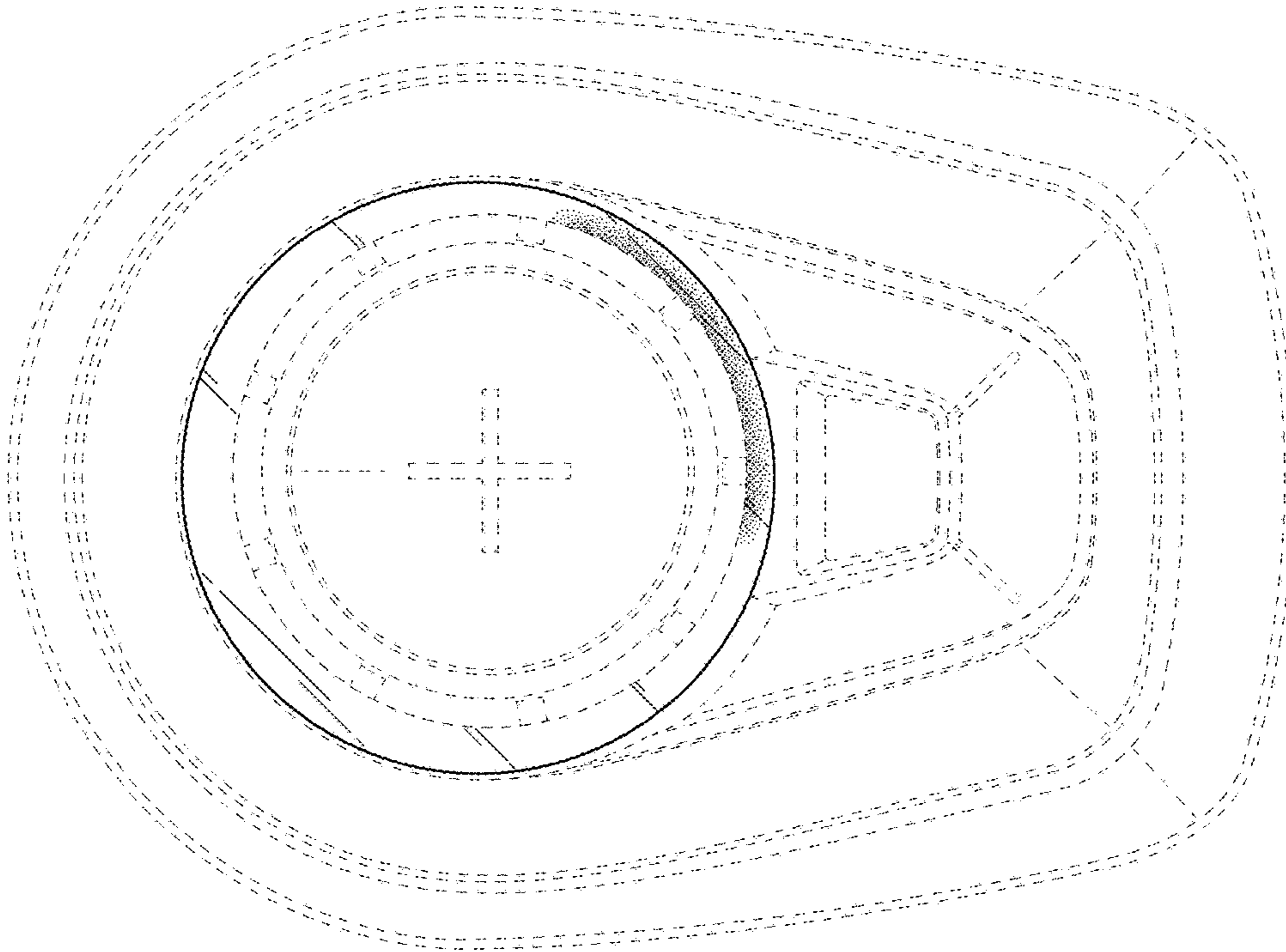


FIG. 5