



US00D798864S

(12) **United States Design Patent**  
**Chen**

(10) **Patent No.:** **US D798,864 S**

(45) **Date of Patent:** **\*\* Oct. 3, 2017**

(54) **REMOTE CONTROLLER**

(71) Applicant: **Shenzhen Hubsan Technology Co., Ltd.**, Shenzhen, Guangdong (CN)

(72) Inventor: **Guangyao Chen**, Guangdong (CN)

(73) Assignee: **Shenzhen Hubsan Technology Co., Ltd.**, Shenzhen (CN)

(\*\*) Term: **15 Years**

(21) Appl. No.: **29/566,815**

(22) Filed: **Jun. 2, 2016**

(51) **LOC (10) Cl.** ..... **14-03**

(52) **U.S. Cl.**  
USPC ..... **D14/401; D21/333**

(58) **Field of Classification Search**  
USPC ..... D14/399-401, 412-416; D21/324, 333;  
273/148 B; 463/1, 29-39, 46, 47;  
345/156-161, 905  
CPC ..... A63F 13/00; A63F 13/02; A63F 13/06;  
A63F 9/24; G06F 17/00; G06F 19/00  
See application file for complete search history.

(56) **References Cited**

**U.S. PATENT DOCUMENTS**

6,001,015 A \* 12/1999 Nishiumi ..... A63F 13/02  
345/161  
6,171,191 B1 \* 1/2001 Ogata ..... A63F 13/06  
273/148 B  
6,231,444 B1 \* 5/2001 Goto ..... G05G 9/047  
273/148 B

D469,436 S \* 1/2003 Hussaini ..... D14/401  
D469,766 S \* 2/2003 Hussaini ..... D14/401  
6,743,100 B1 \* 6/2004 Neiser ..... A63F 13/06  
273/148 B  
7,063,321 B2 \* 6/2006 Hussaini ..... A63F 13/06  
273/148 B  
7,854,655 B2 \* 12/2010 Mao ..... G06F 3/017  
273/148 B  
D708,615 S \* 7/2014 Delrue ..... D14/401  
D711,879 S \* 8/2014 Bellinghausen ..... D14/401  
D715,296 S \* 10/2014 Huang ..... D14/401  
D745,607 S \* 12/2015 Jones ..... D14/401  
D759,760 S \* 6/2016 Tetik ..... D21/333

\* cited by examiner

*Primary Examiner* — Prabhakar Deshmukh

(74) *Attorney, Agent, or Firm* — IPro, PLLC; Na Xu

(57) **CLAIM**

The ornamental design for a remote controller, as shown and described.

**DESCRIPTION**

FIG. 1 is a front view of a remote controller, showing my new design.

FIG. 2 is a rear view thereof.

FIG. 3 is a left view thereof.

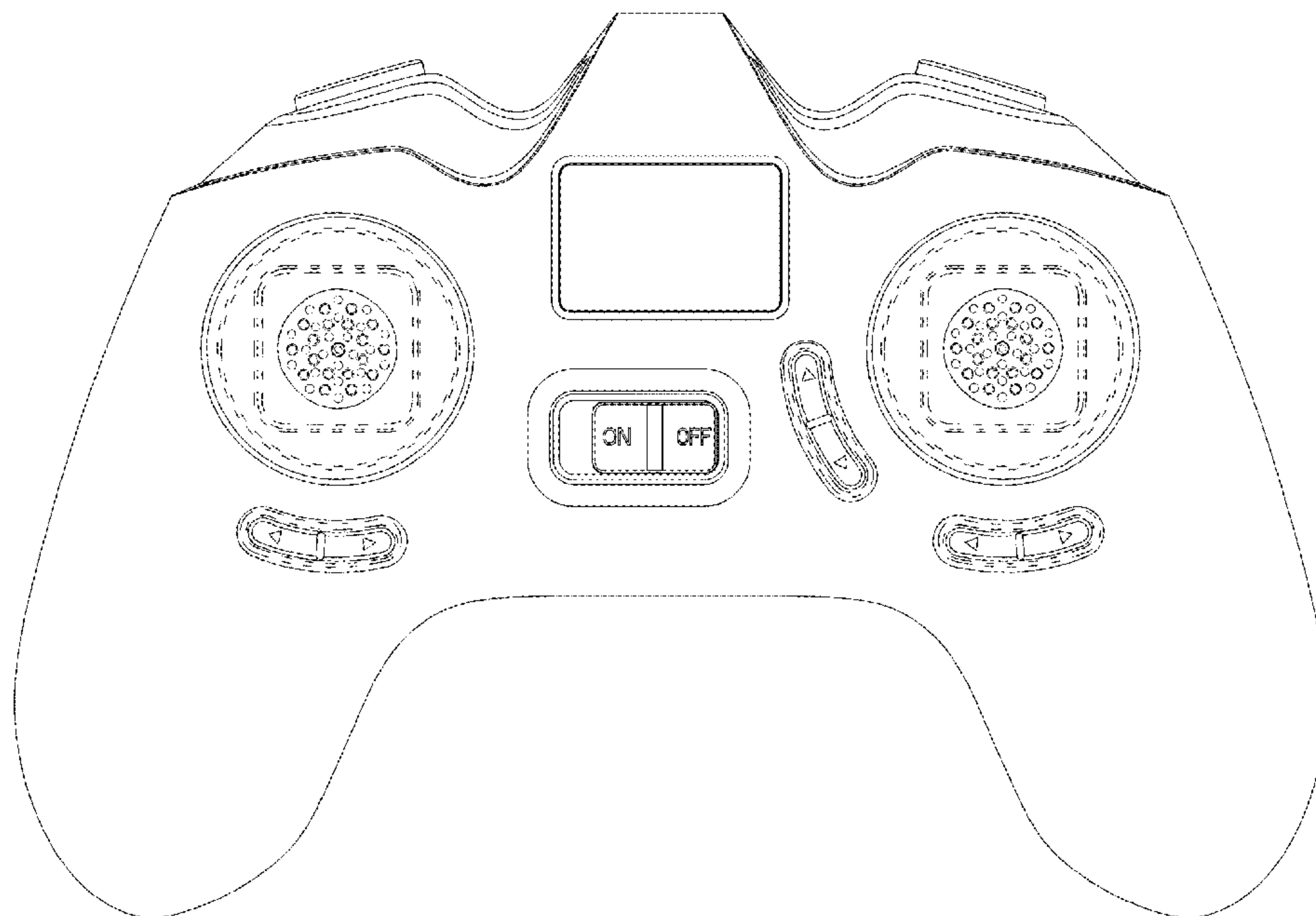
FIG. 4 is a right view thereof.

FIG. 5 is a top view thereof; and,

FIG. 6 is a bottom view thereof.

The broken lines depict portions of the hand-held cradle head in which the design is embodied that form no part of claimed design.

**1 Claim, 6 Drawing Sheets**



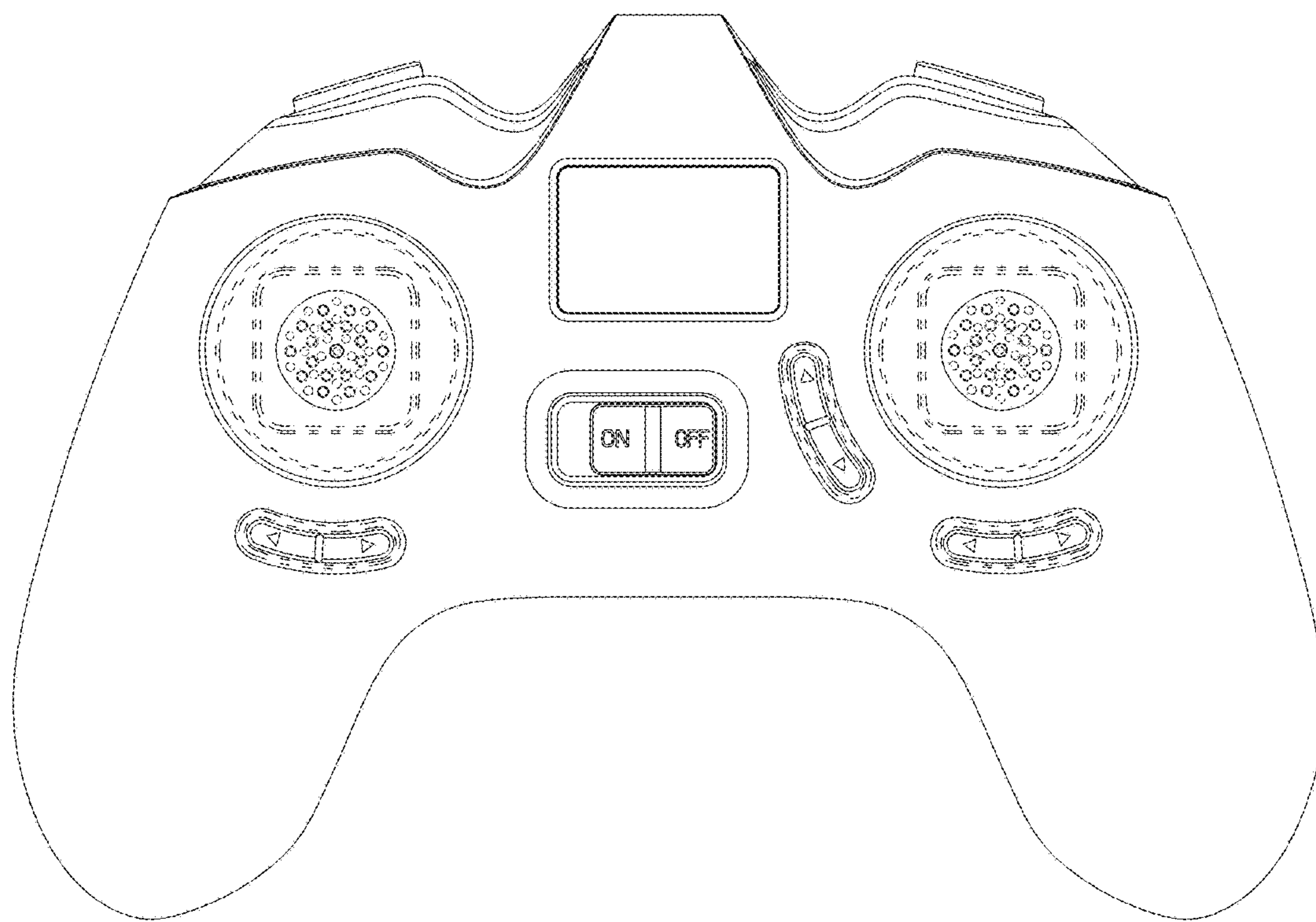


Fig. 1

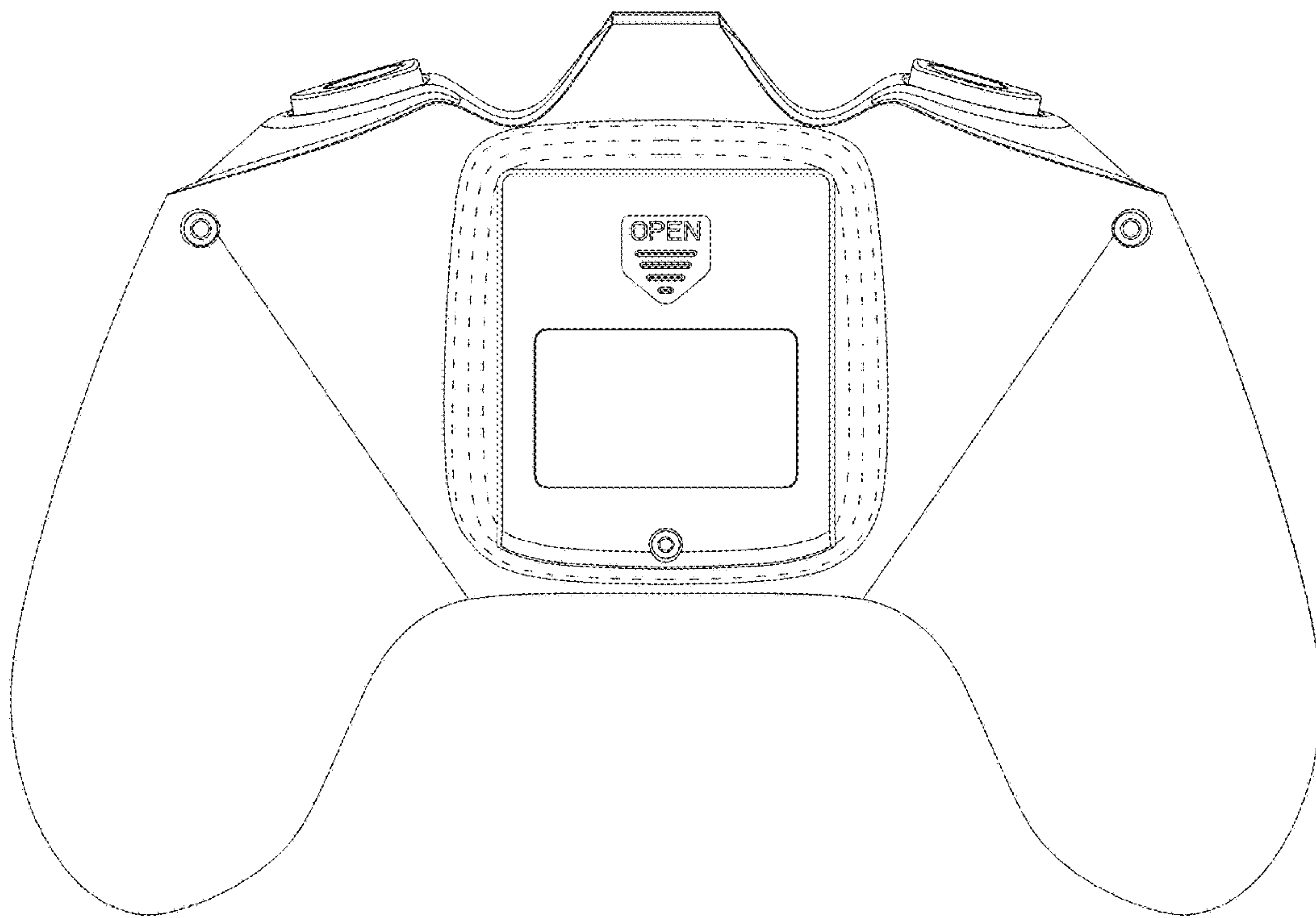


Fig. 2

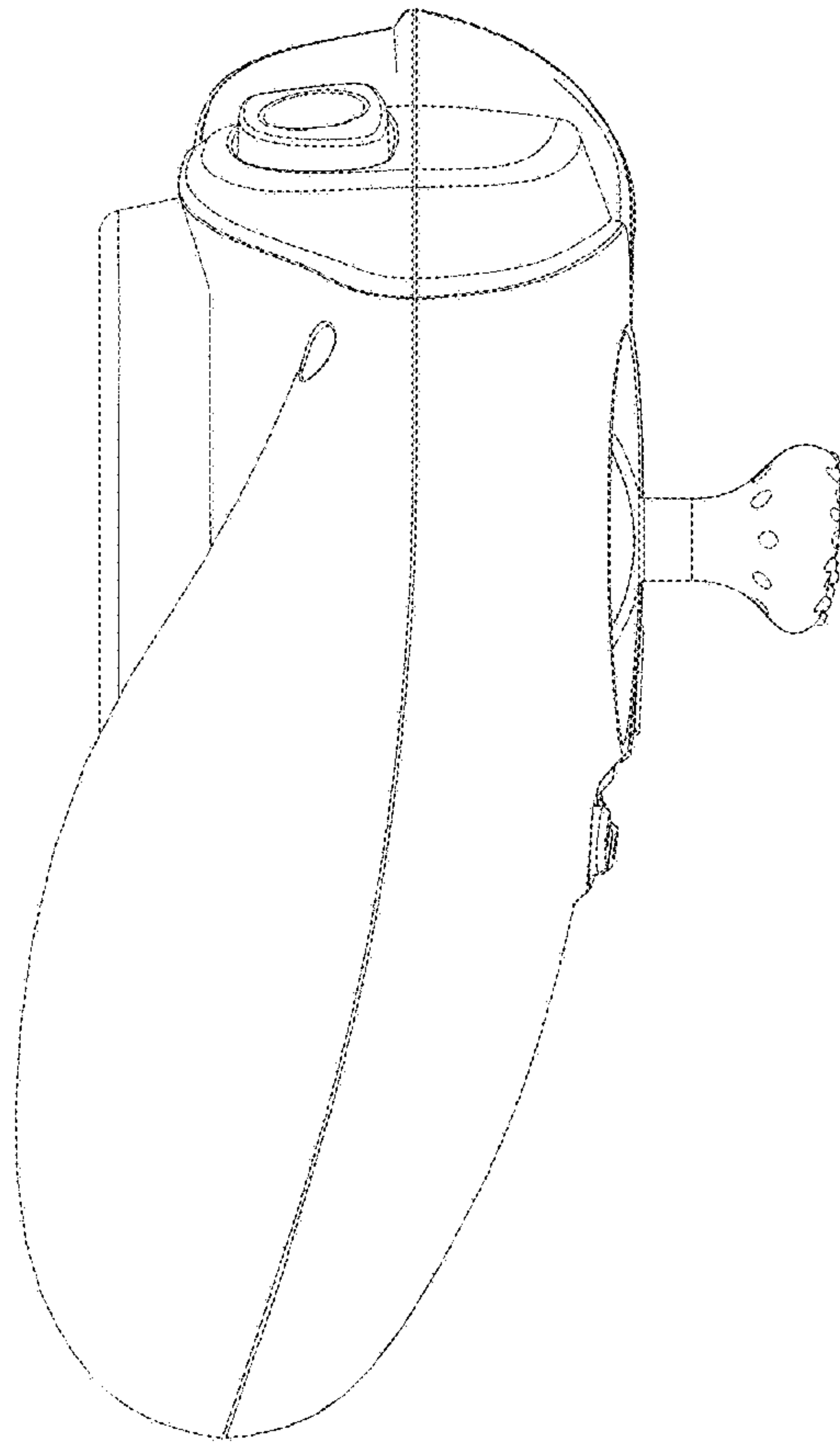


Fig. 3

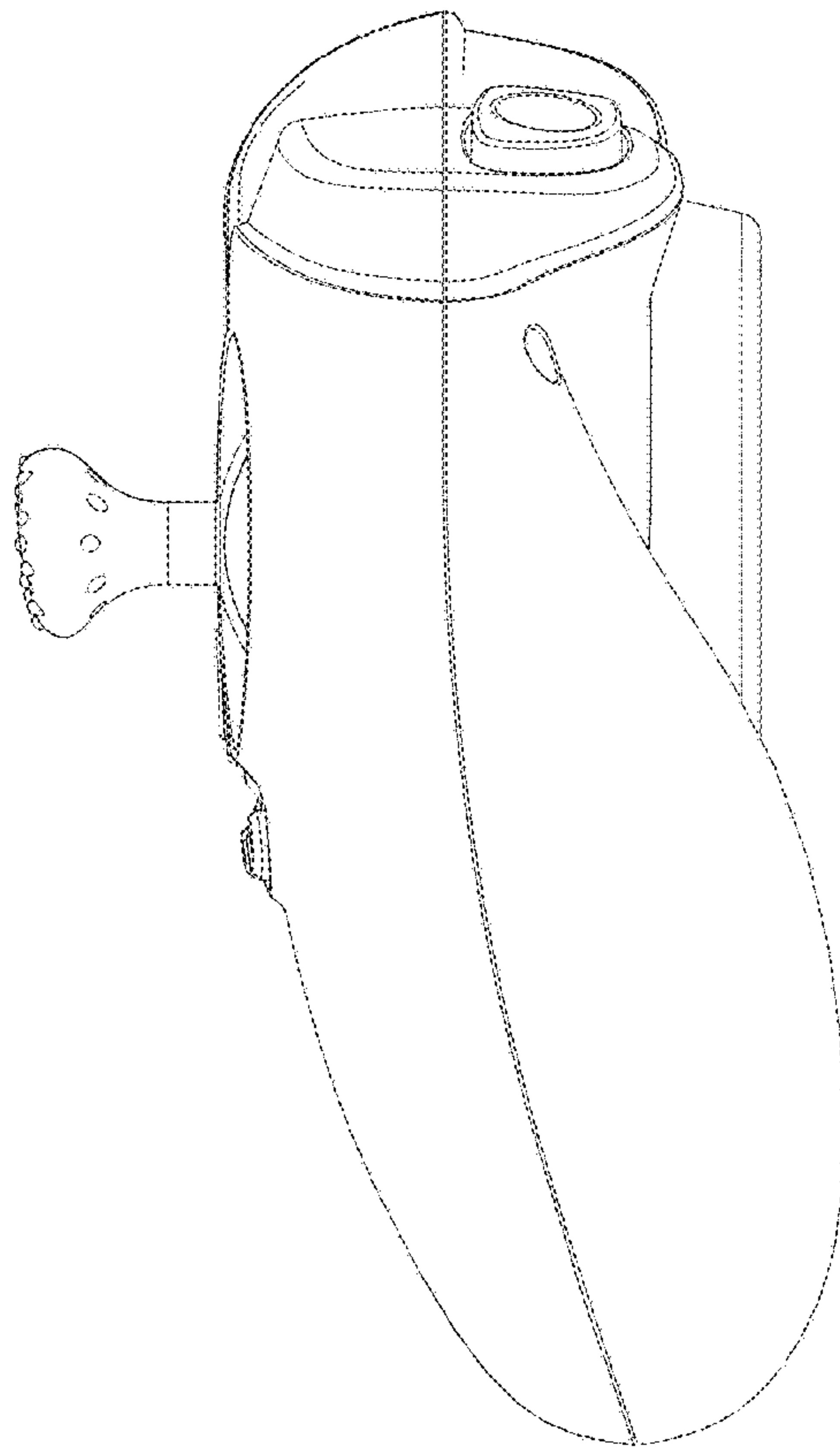


Fig. 4

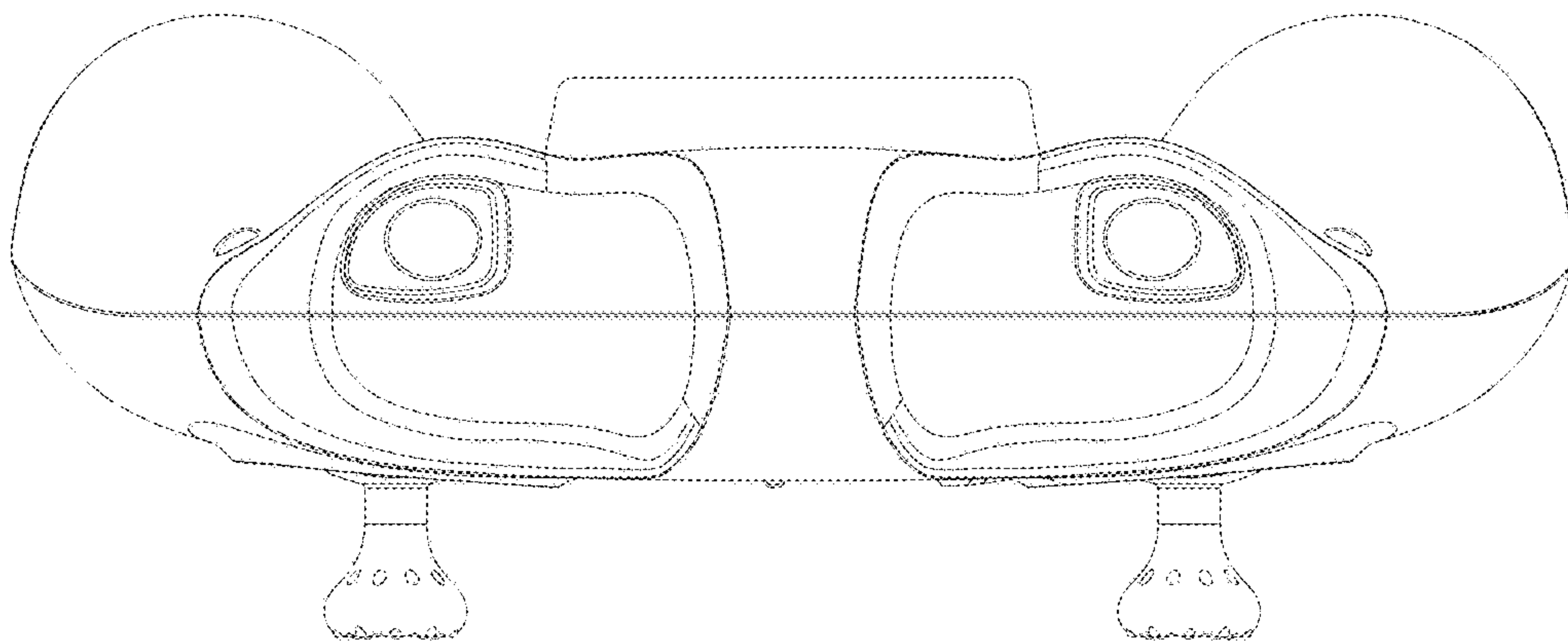


Fig. 5

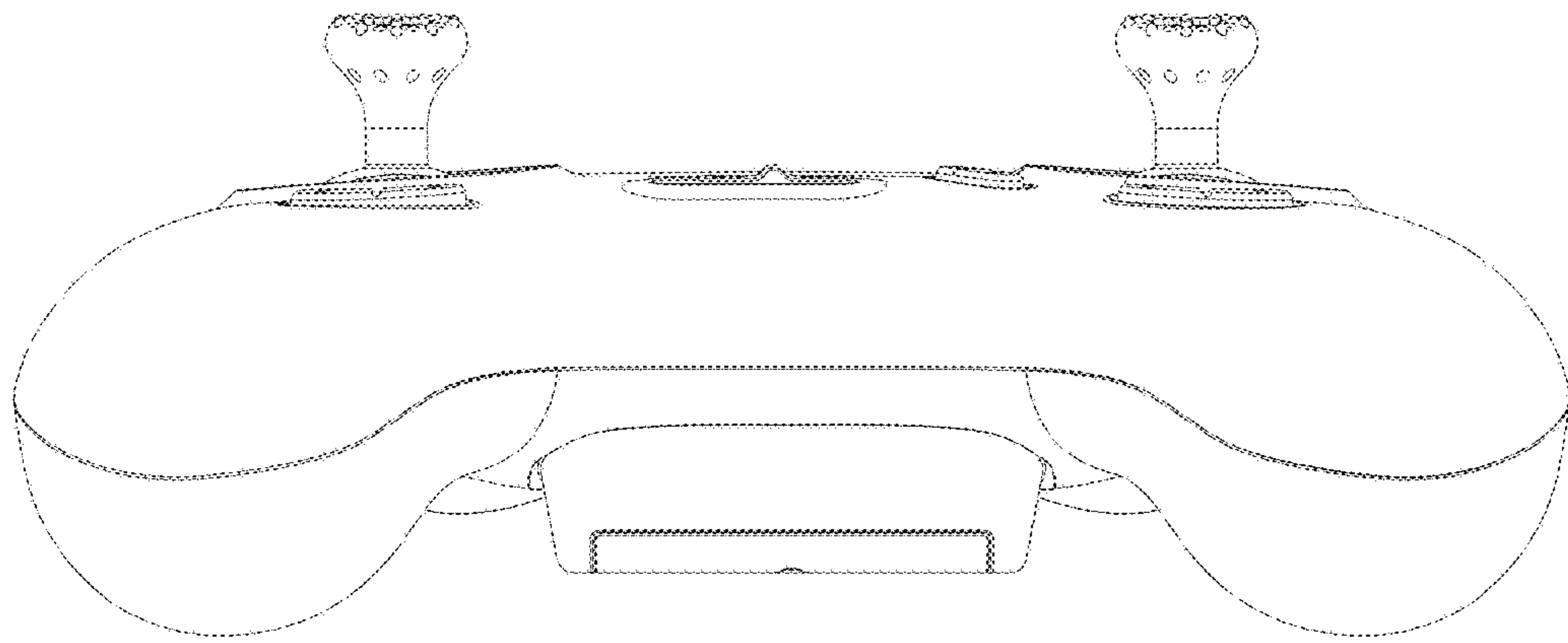


Fig. 6