



US00D798863S

(12) **United States Design Patent** (10) **Patent No.:** **US D798,863 S**  
**Li** (45) **Date of Patent:** **\*\* Oct. 3, 2017**

(54) **VIRTUAL REALITY 3D GLASSES**  
(71) Applicant: **SUN SCALE (SZ) MANUFACTURING LIMITED,**  
Guangdong (CN)

(72) Inventor: **Joseph Li,** Guangdong (CN)

(\*\*) Term: **15 Years**

(21) Appl. No.: **29/581,873**

(22) Filed: **Oct. 24, 2016**

(30) **Foreign Application Priority Data**

Sep. 26, 2016 (CN) ..... 2016 3 0482725

(51) **LOC (10) Cl.** ..... **14-02**

(52) **U.S. Cl.**  
USPC ..... **D14/372**

(58) **Field of Classification Search**

USPC ..... D14/372, 496, 432, 371, 125, 126, 129,  
D14/299; D16/300-342; 351/158, 153,  
351/144; 345/7-9, 905; 455/344;  
348/115, 53, 121, 739

CPC ..... G02B 27/017; G02B 27/0158; G02B  
27/0161; G02B 27/0181; G02B 27/0185;  
G02B 27/0189

See application file for complete search history.

(56) **References Cited**

**U.S. PATENT DOCUMENTS**

D669,471 S \* 10/2012 Hwang ..... D14/372  
D732,028 S \* 6/2015 Kim ..... D14/372  
D741,324 S \* 10/2015 Bosveld ..... D14/372  
D741,327 S \* 10/2015 Reznik ..... D14/372

(Continued)

*Primary Examiner* — Austin Murphy

(74) *Attorney, Agent, or Firm* — Prakash Nama; Global IP Services, PLLC

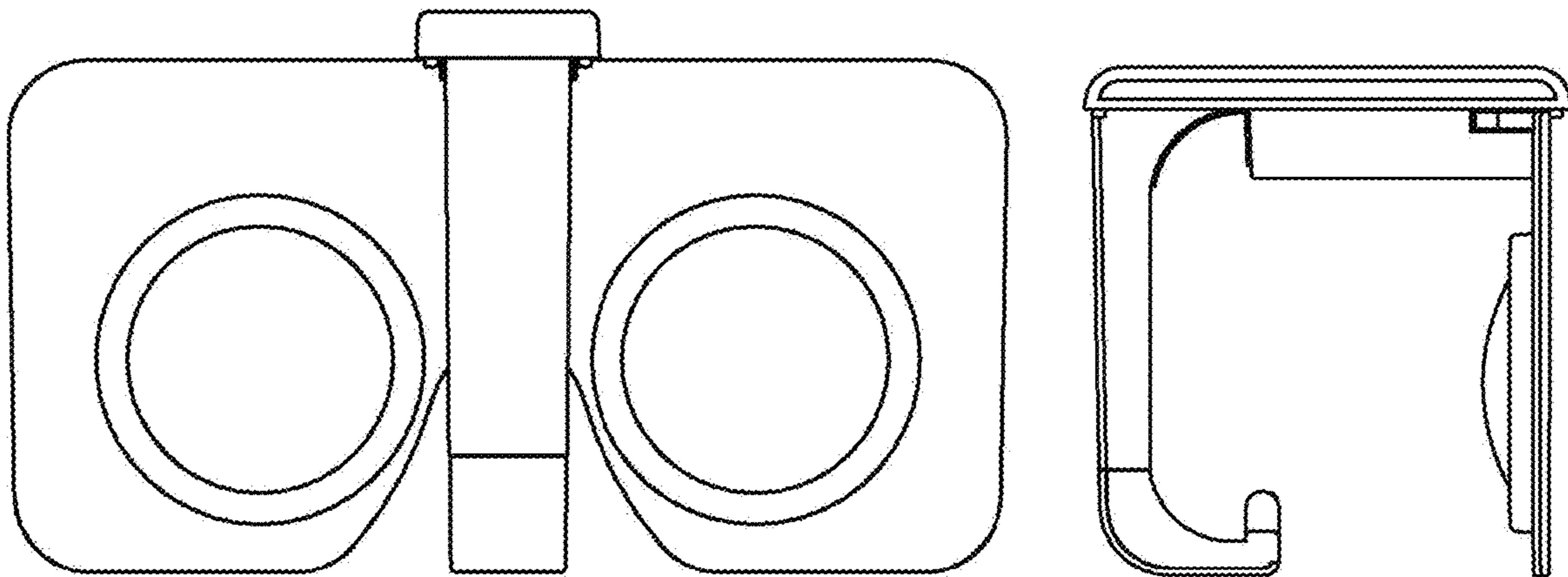
(57) **CLAIM**

The ornamental design for the virtual reality 3D glasses, as shown and described.

**DESCRIPTION**

FIG. 1 is a front elevational view of the virtual reality 3D glasses showing my new design in an unfolded condition; FIG. 2 is a rear elevational view thereof; FIG. 3 is a left side view thereof; FIG. 4 is a right side view thereof; FIG. 5 is a top plan view thereof; FIG. 6 is a bottom plan view thereof; FIG. 7 is a perspective view thereof; FIG. 8 is a front elevational view of the virtual reality 3D glasses shown in FIG. 1, wherein the virtual reality 3D glasses are in a folded condition; FIG. 9 is a rear elevational view thereof; FIG. 10 is a left side view thereof; FIG. 11 is a right side view thereof; FIG. 12 is a top plan view thereof; FIG. 13 is a bottom plan view thereof; FIG. 14 is a perspective view thereof; FIG. 15 is another perspective view thereof; FIG. 16 is a front elevational view of the virtual reality 3D glasses folded and housed in a case; FIG. 17 is a rear elevational view thereof; FIG. 18 is a left side view thereof; FIG. 19 is a right side view thereof; FIG. 20 is a top plan view thereof; FIG. 21 is a bottom plan view thereof; FIG. 22 is a perspective view thereof; FIG. 23 is another perspective view thereof; FIG. 24 is a front elevational view of the case; FIG. 25 is a rear elevational view thereof; FIG. 26 is a left side view thereof; FIG. 27 is a right side view thereof; FIG. 28 is a top plan view thereof; FIG. 29 is a bottom plan view thereof; FIG. 30 is a perspective view thereof; and, FIG. 31 is another perspective view thereof.

**1 Claim, 10 Drawing Sheets**



(56)

**References Cited**

U.S. PATENT DOCUMENTS

D748,628	S	*	2/2016	Bosveld	.....	D14/372
D749,580	S	*	2/2016	Kim	.....	D14/372
D753,111	S	*	4/2016	Fei	.....	D14/372
D759,015	S	*	6/2016	Mehin	.....	D14/372
D764,466	S	*	8/2016	Kim	.....	D14/372
D765,074	S	*	8/2016	Katopis	.....	D14/372
D773,461	S	*	12/2016	Jiang	.....	D14/372
D780,751	S	*	3/2017	Park	.....	D14/372
D781,288	S	*	3/2017	Park	.....	D14/372
D783,019	S	*	4/2017	Letbetter	.....	D14/372
D785,619	S	*	5/2017	Su	.....	D14/372
D791,129	S	*	7/2017	Sullivan	.....	D14/372
D792,399	S	*	7/2017	Thomas	.....	D14/372
D792,401	S	*	7/2017	Tang	.....	D14/372

\* cited by examiner

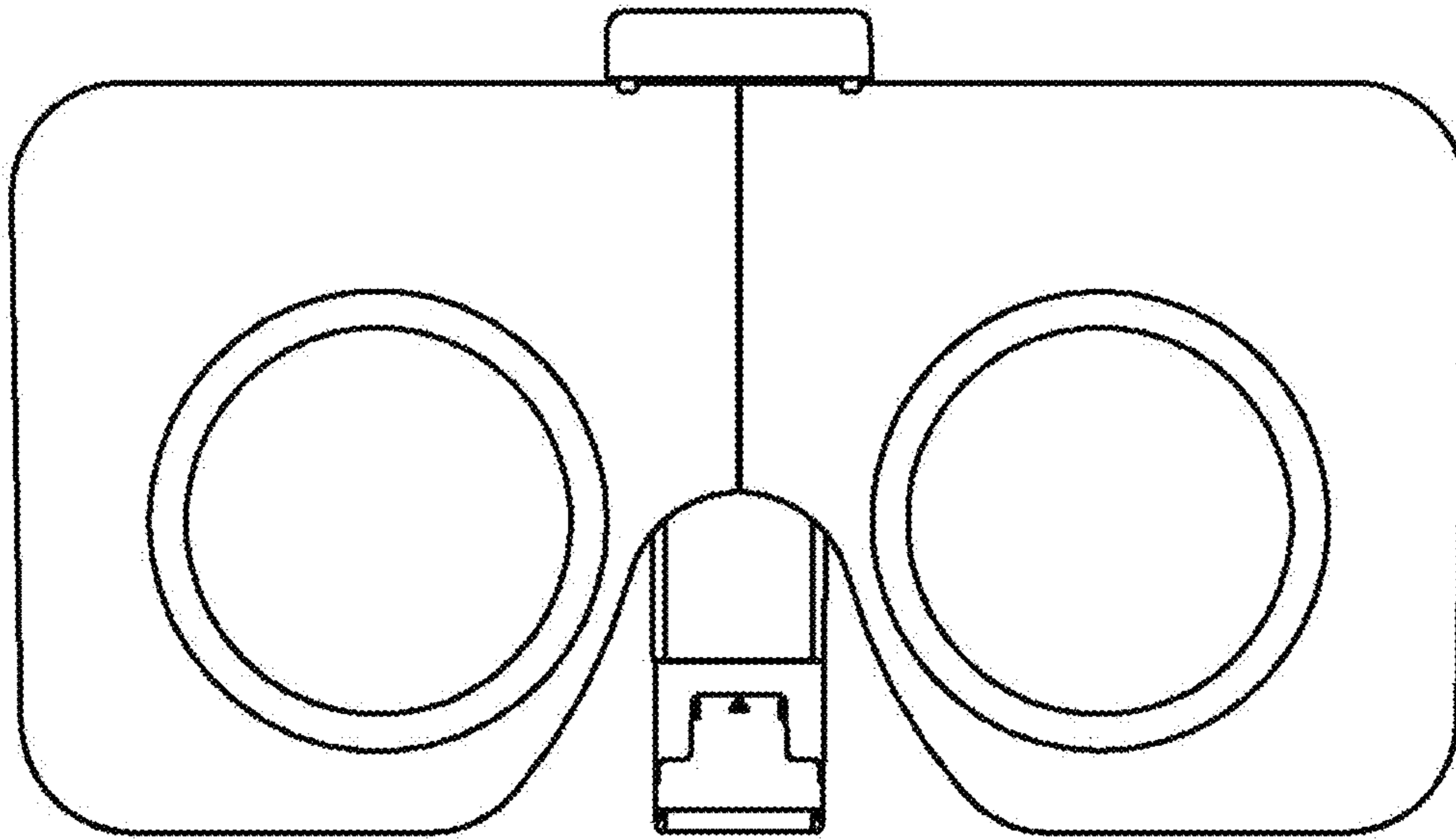


FIG. 1

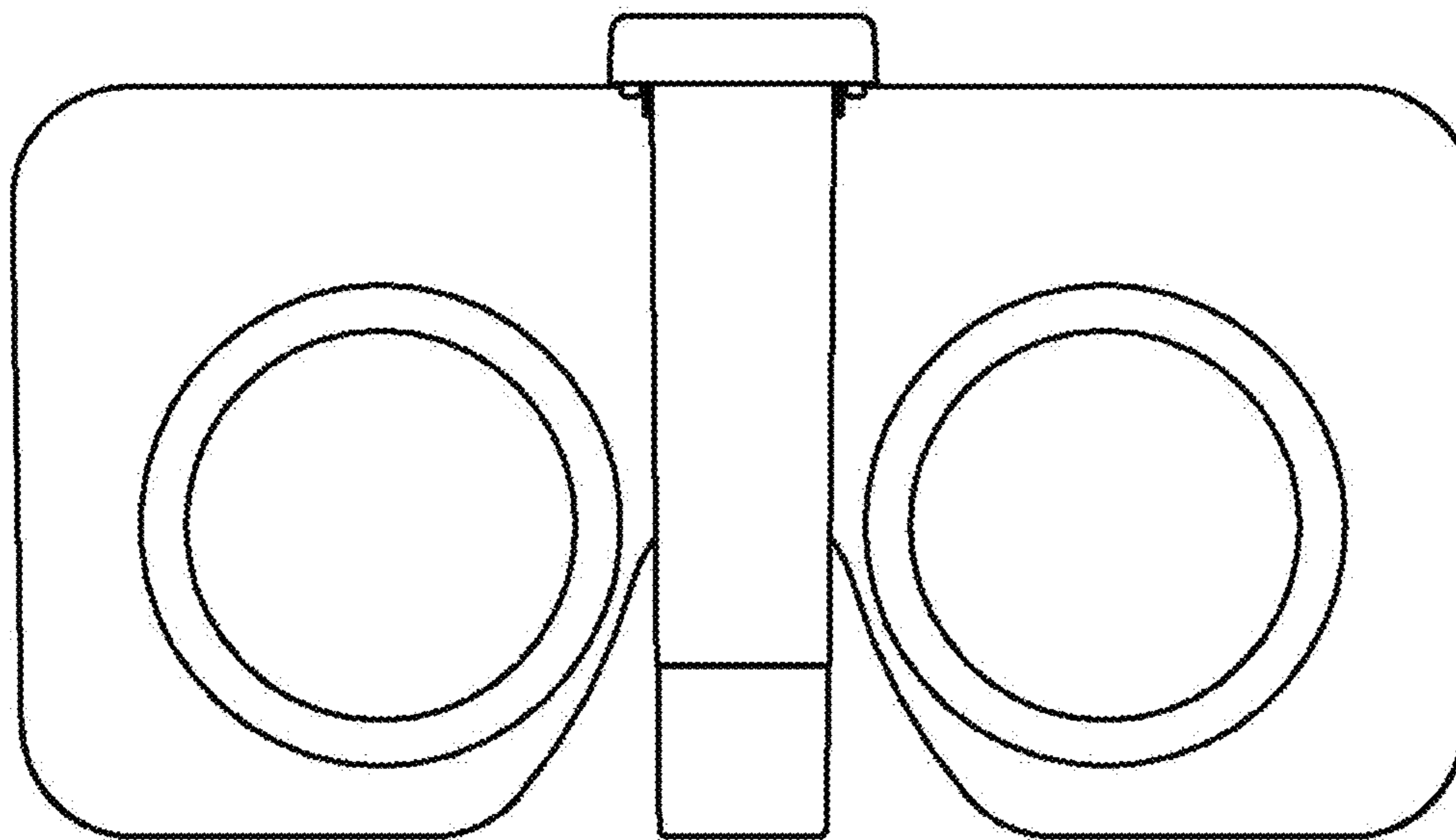


FIG. 2

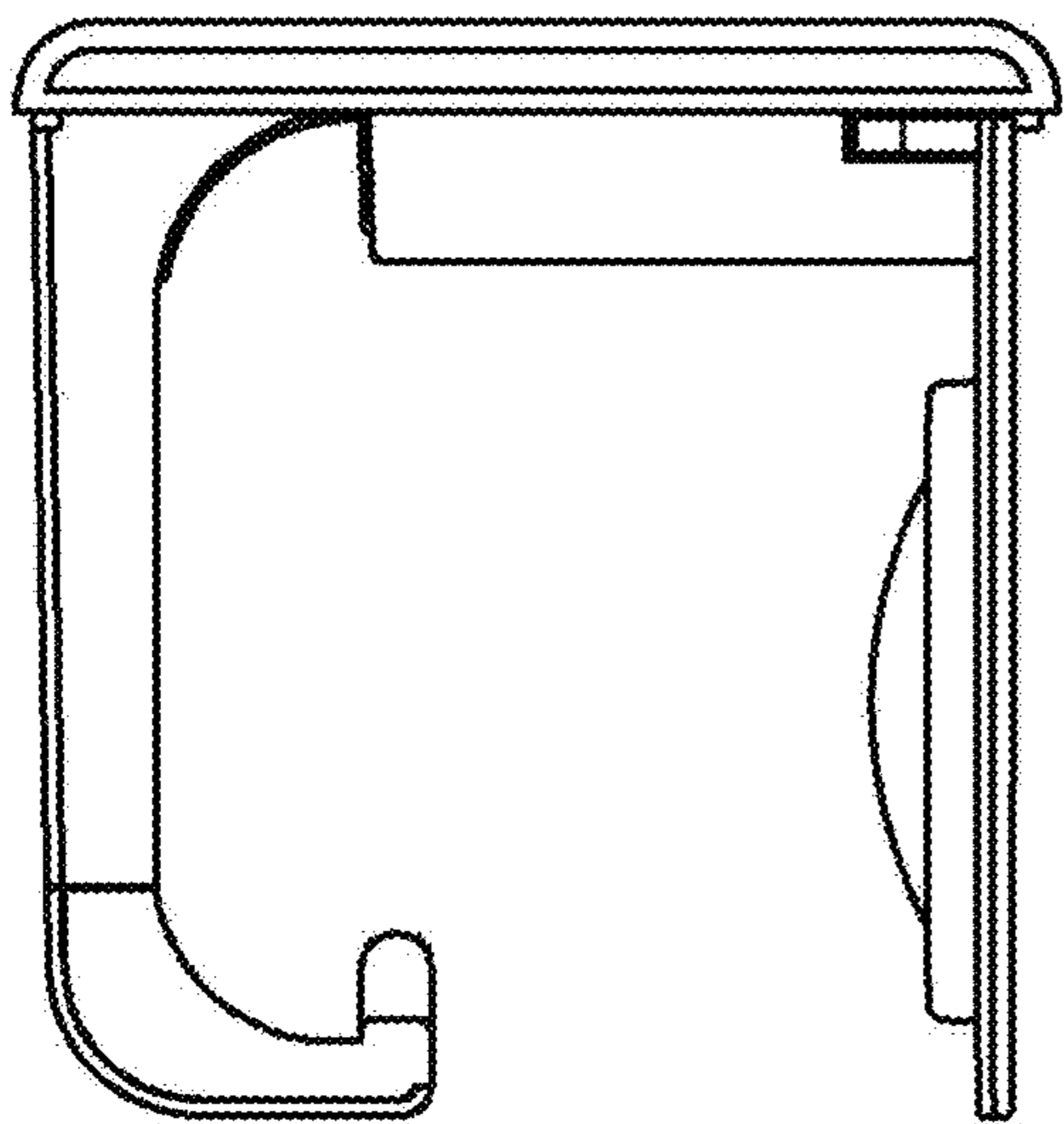


FIG. 3

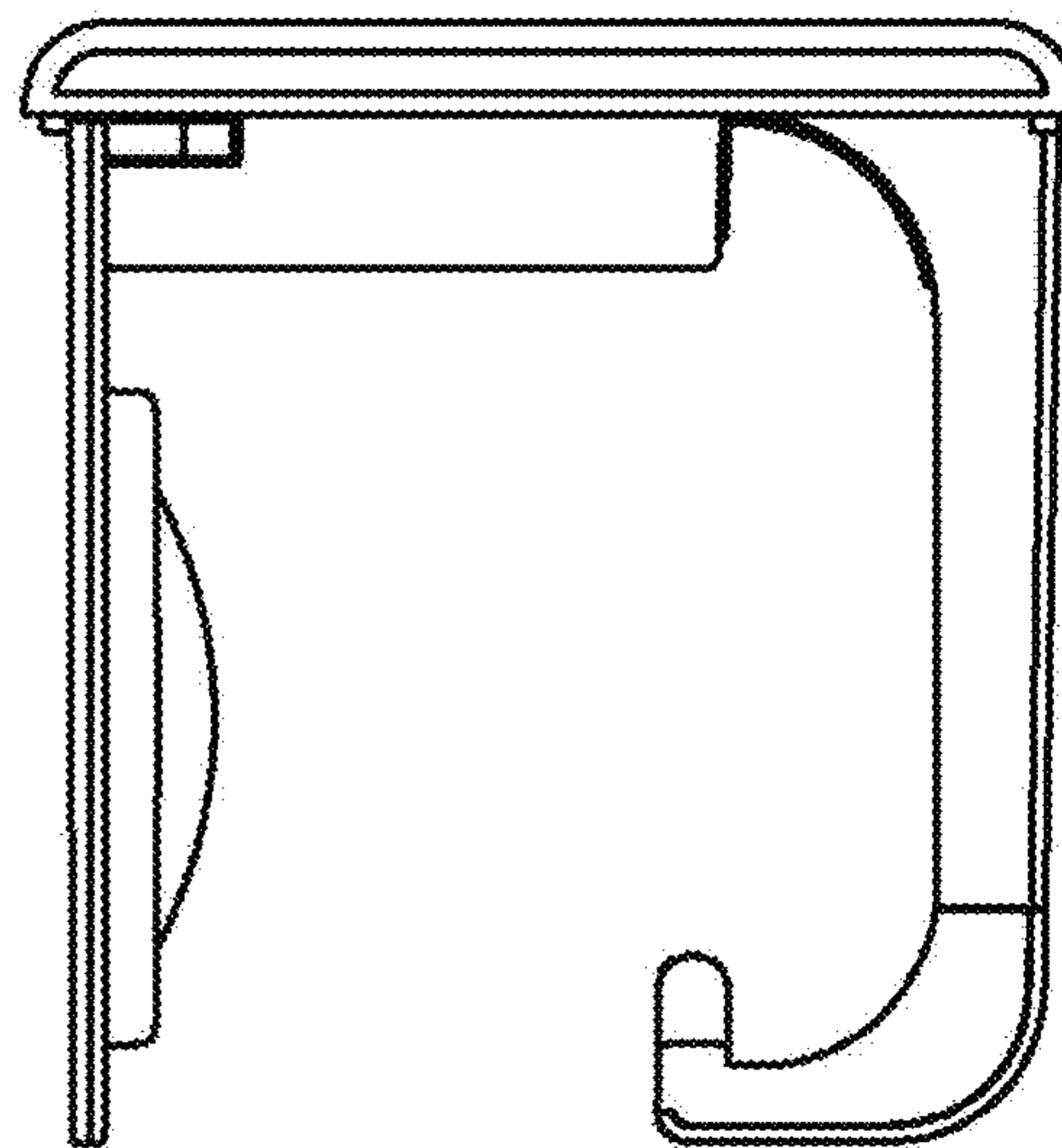


FIG. 4

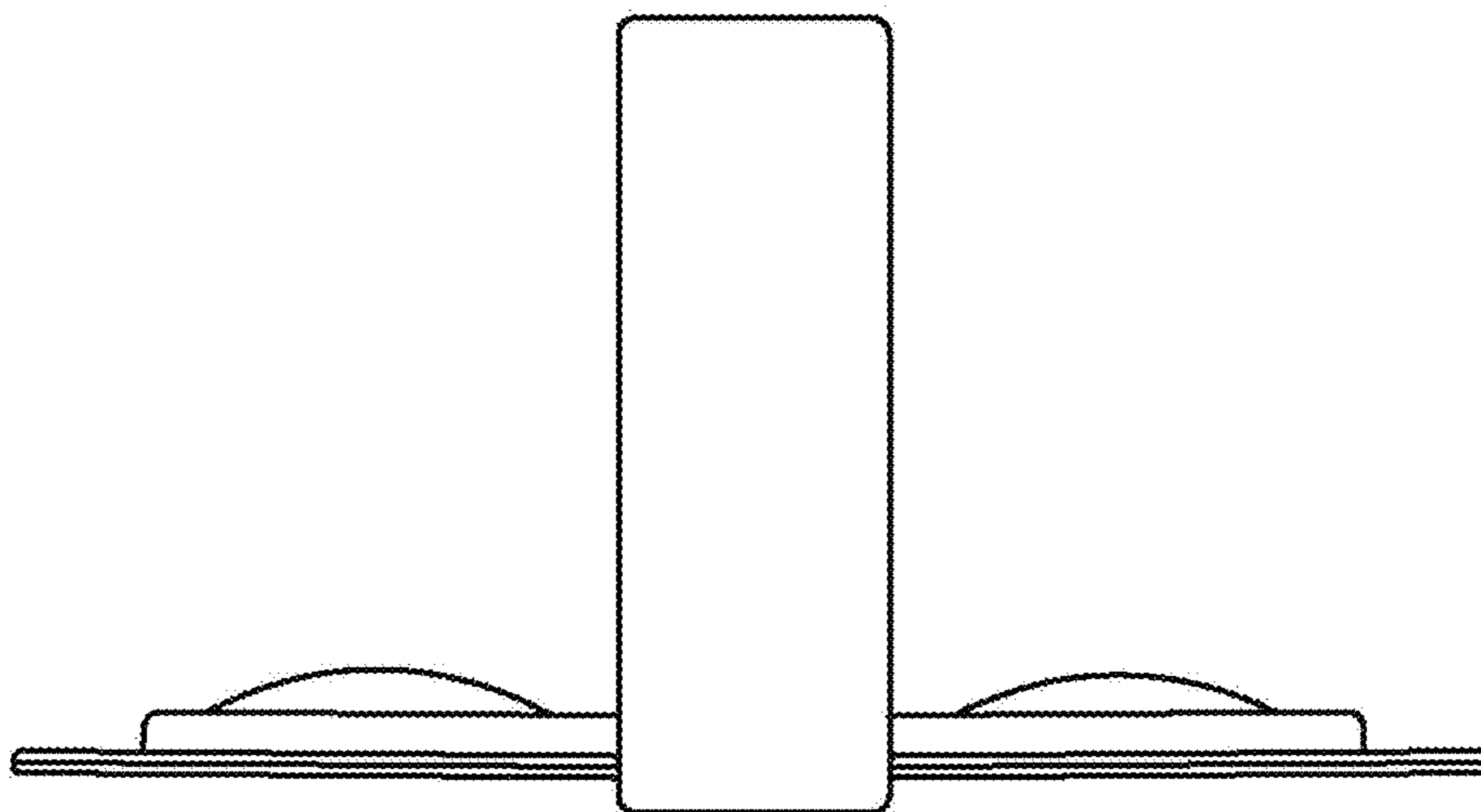


FIG. 5

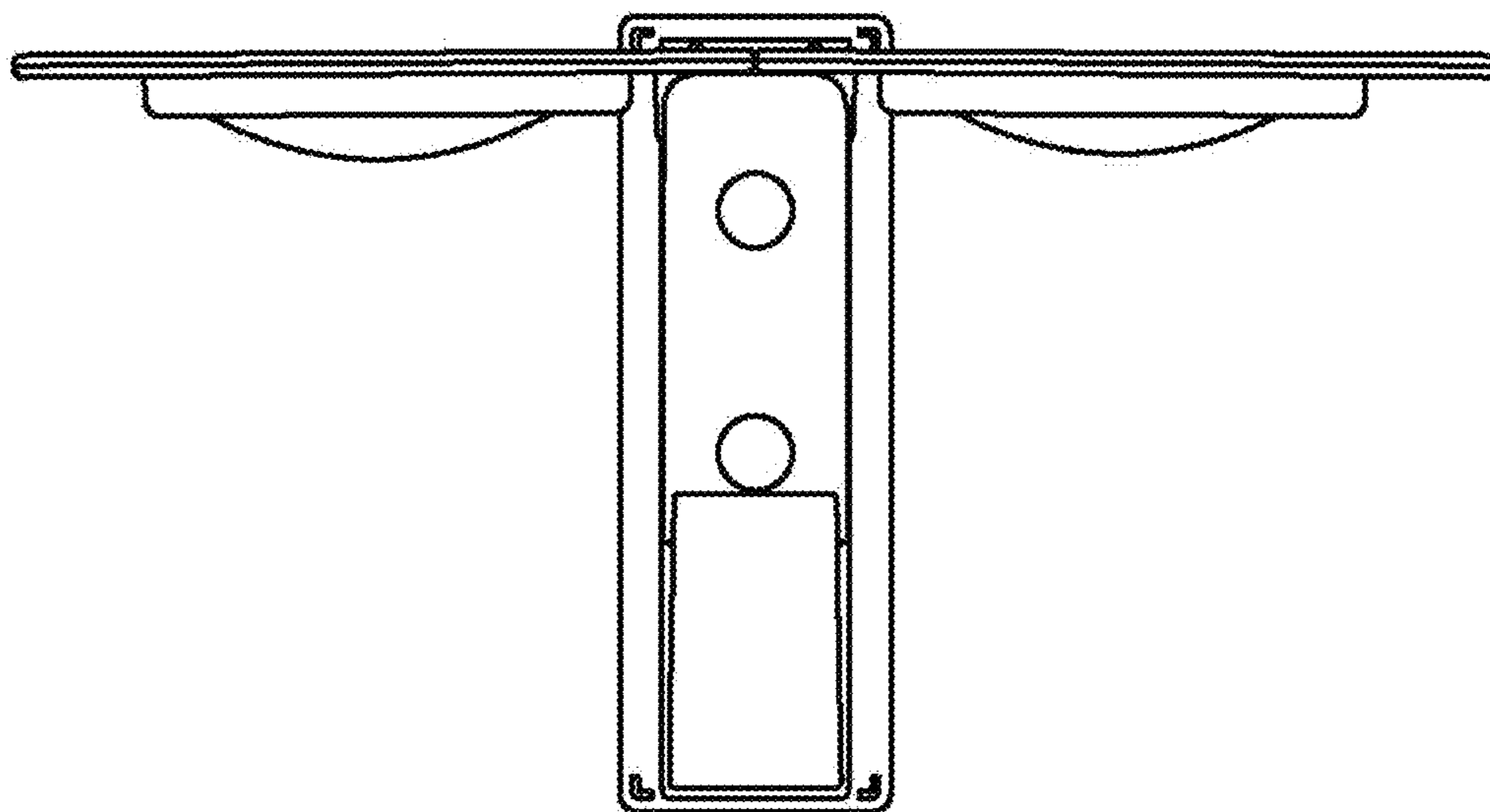


FIG. 6

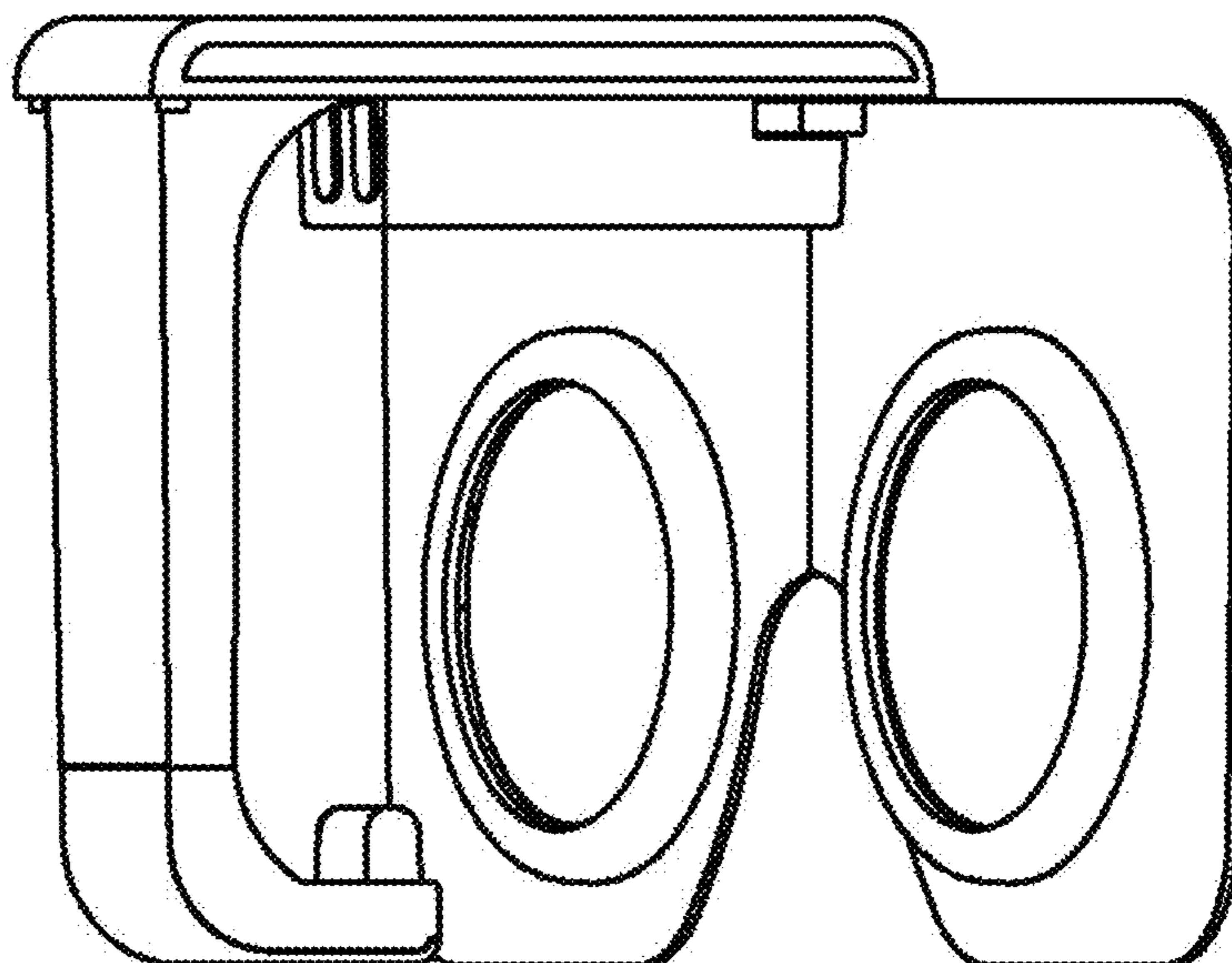


FIG. 7

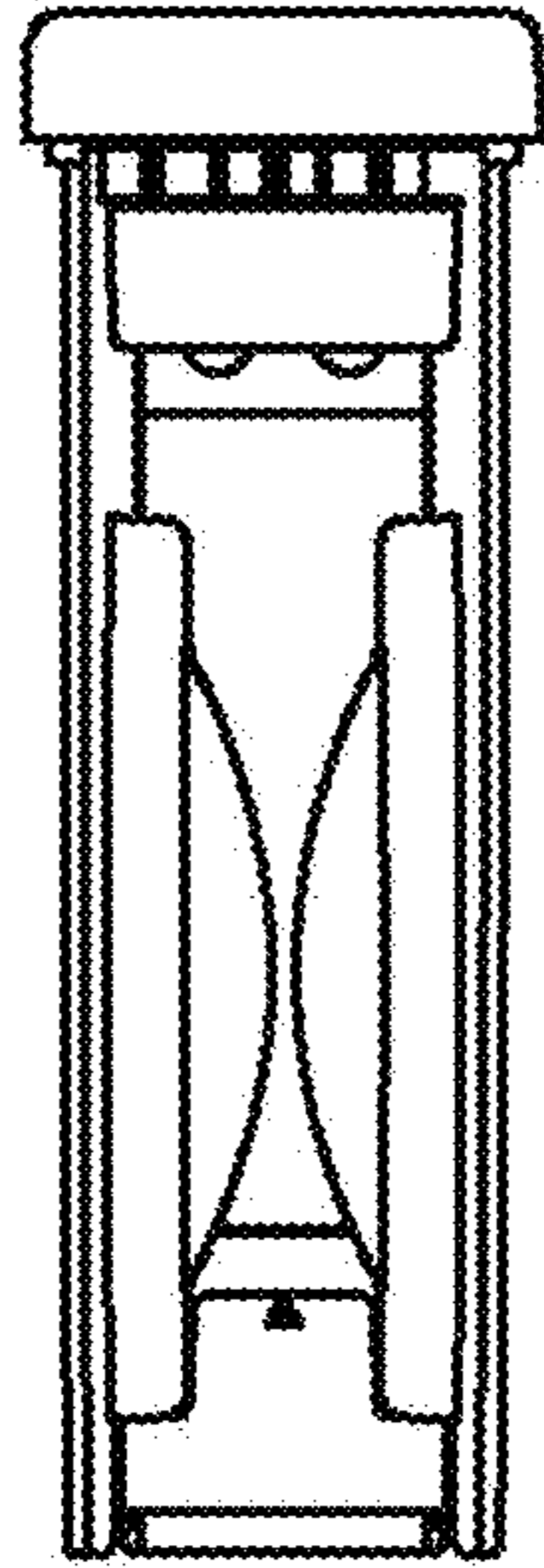


FIG. 8

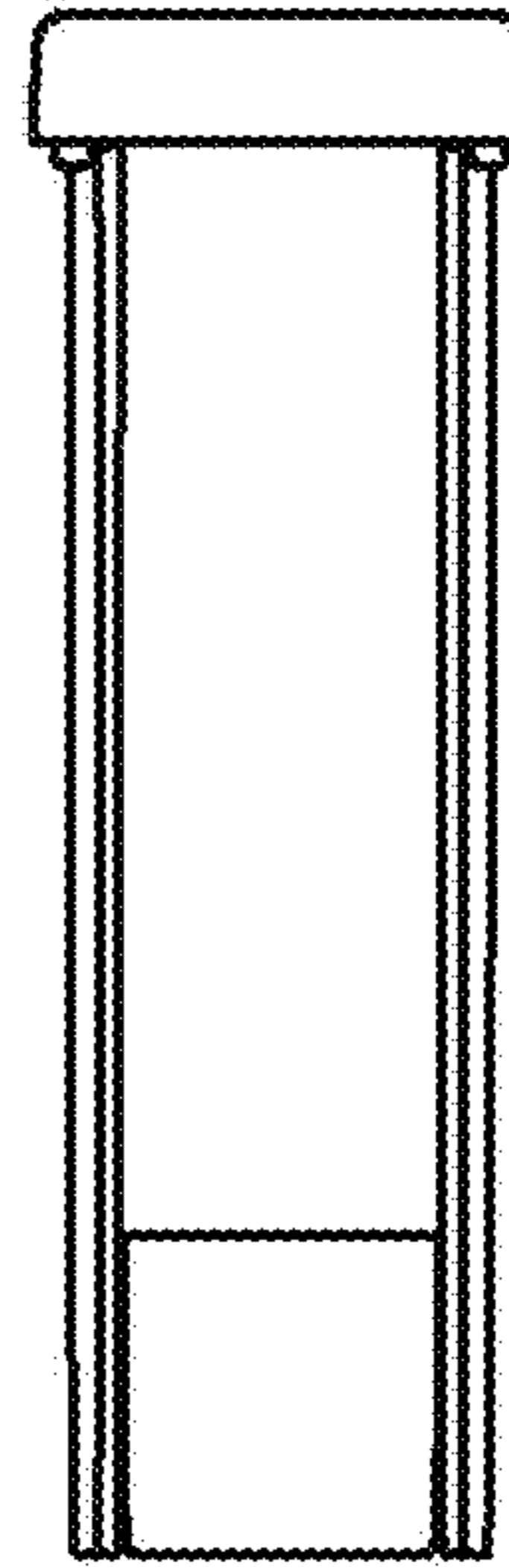


FIG. 9

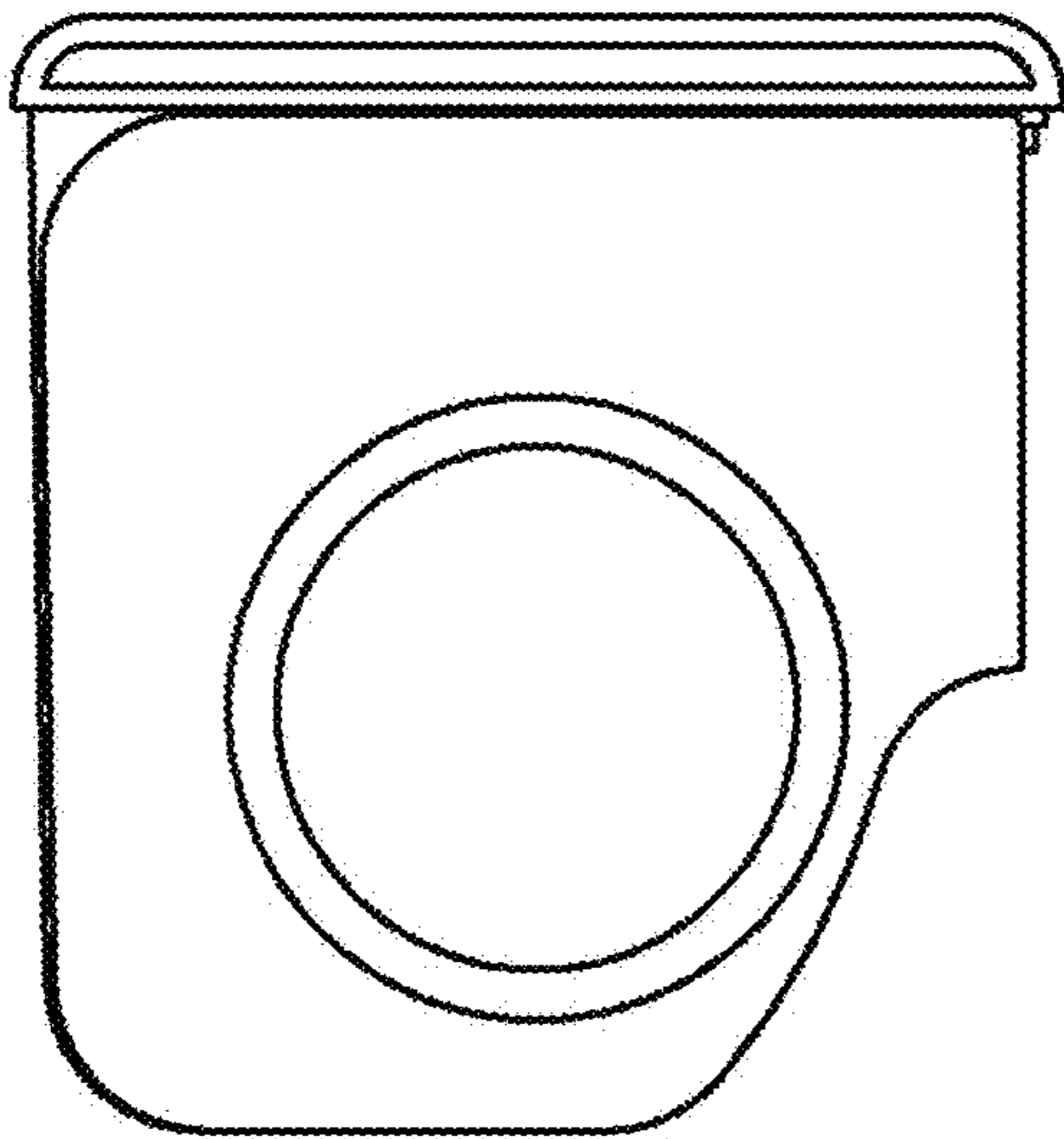


FIG. 10

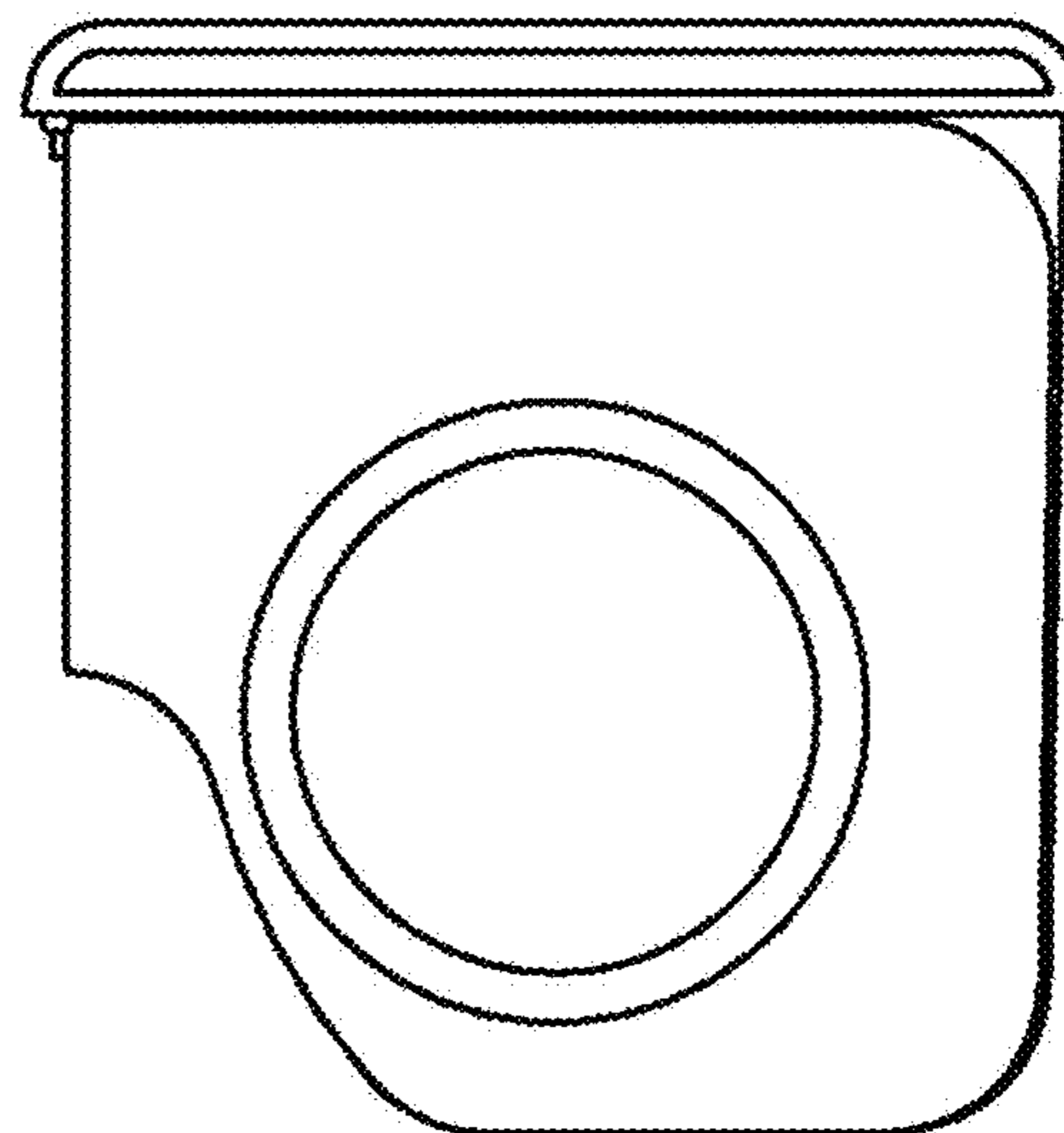


FIG. 11

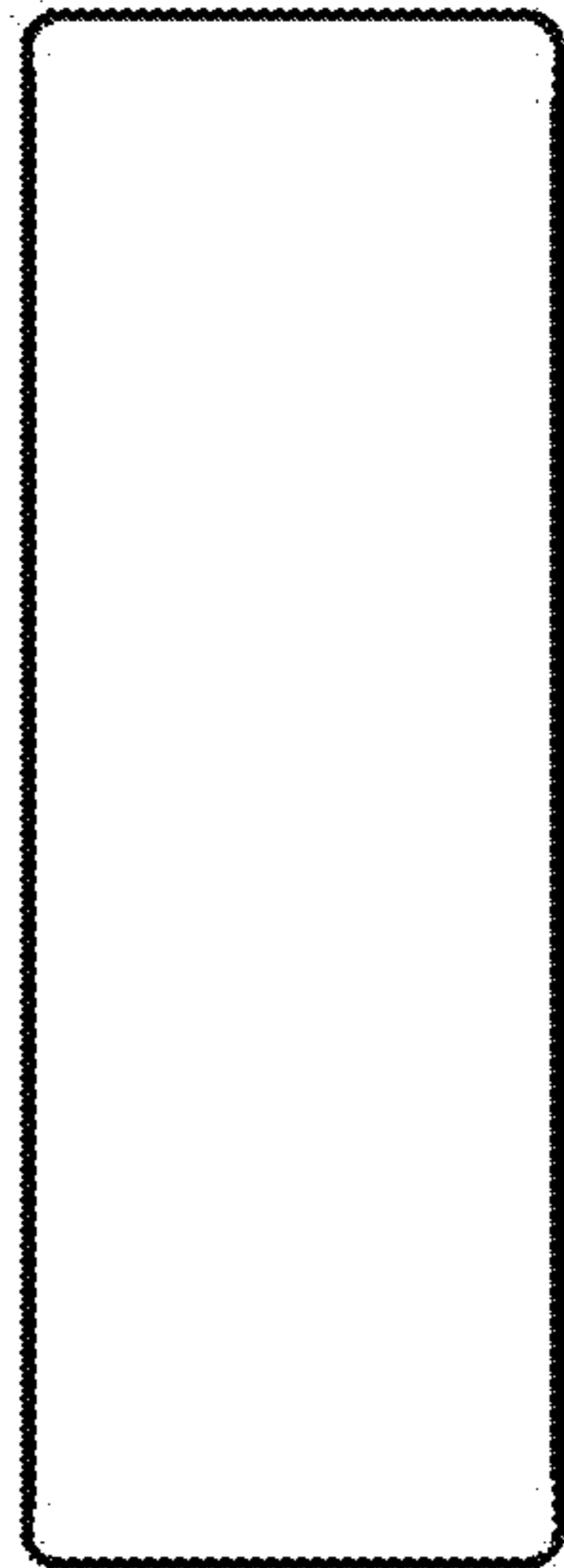


FIG. 12

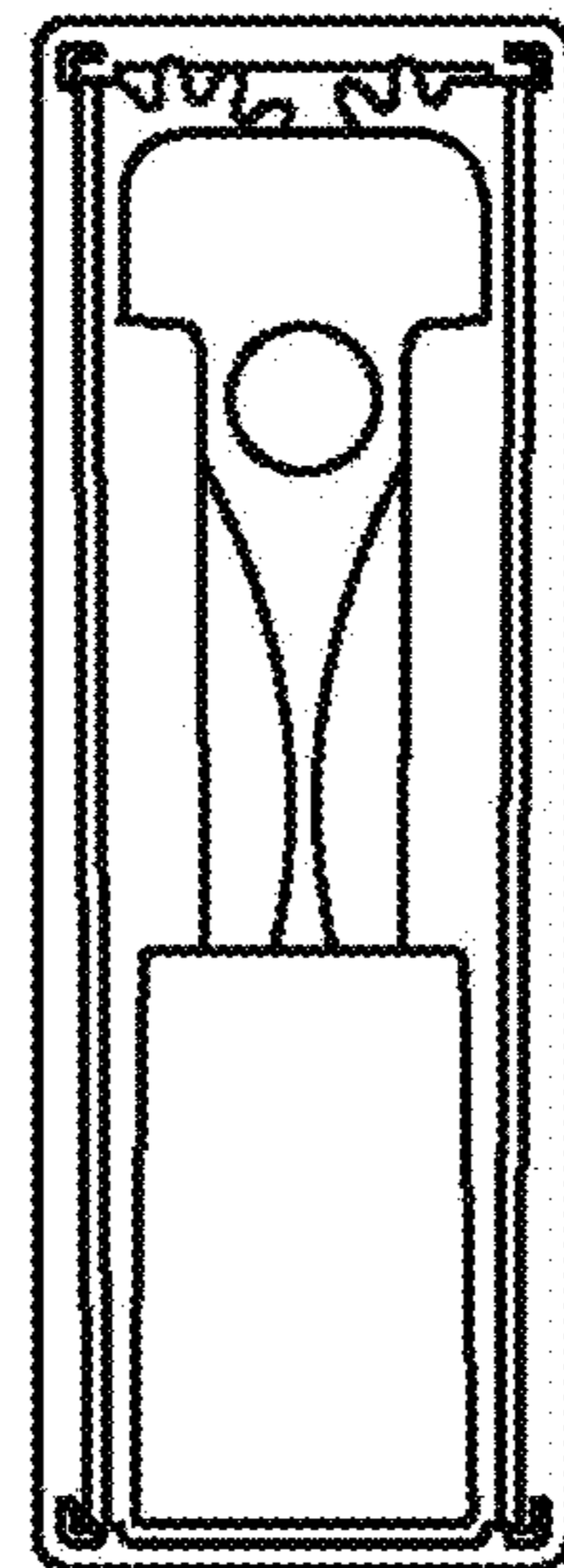


FIG. 13

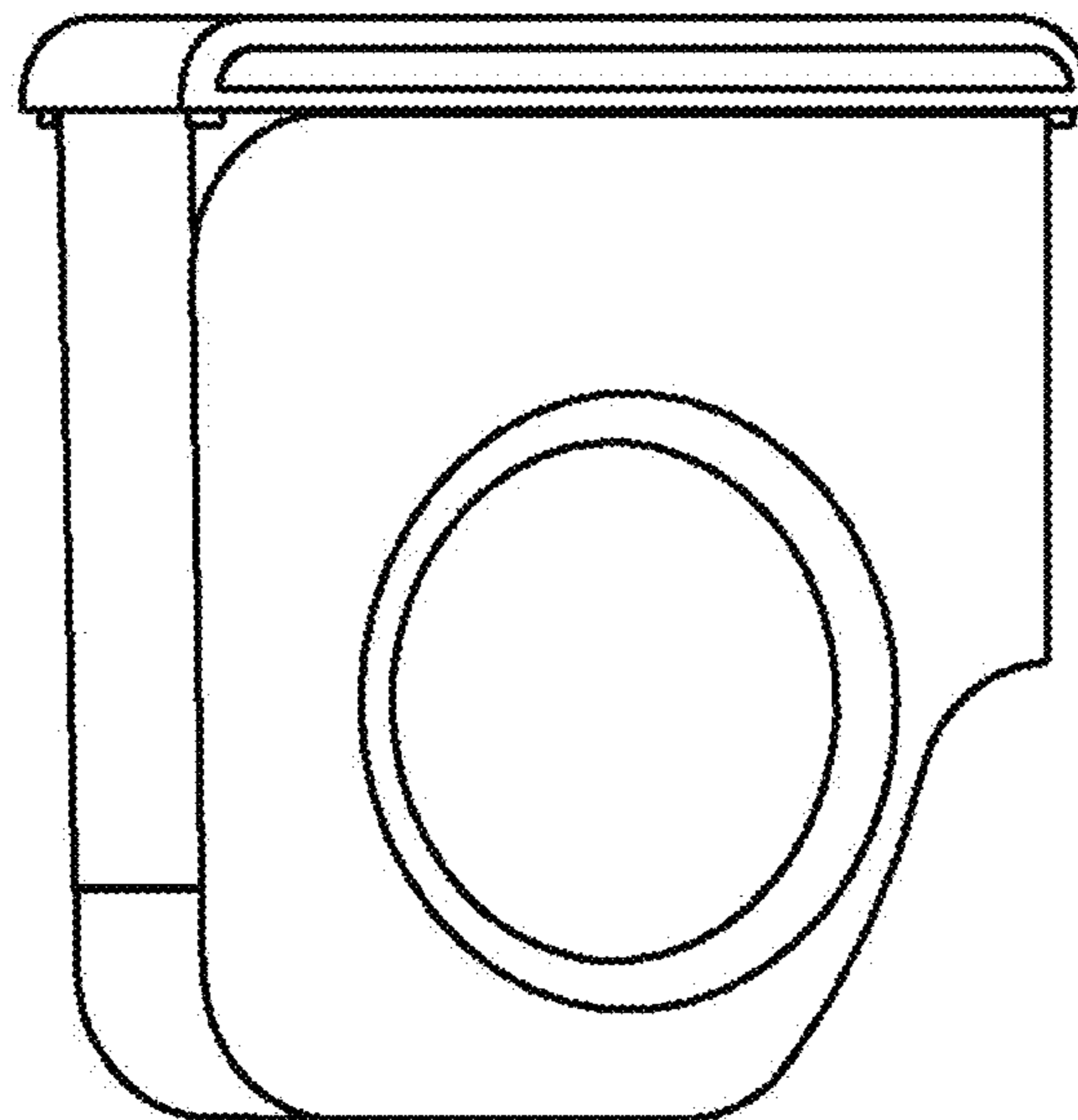


FIG. 14

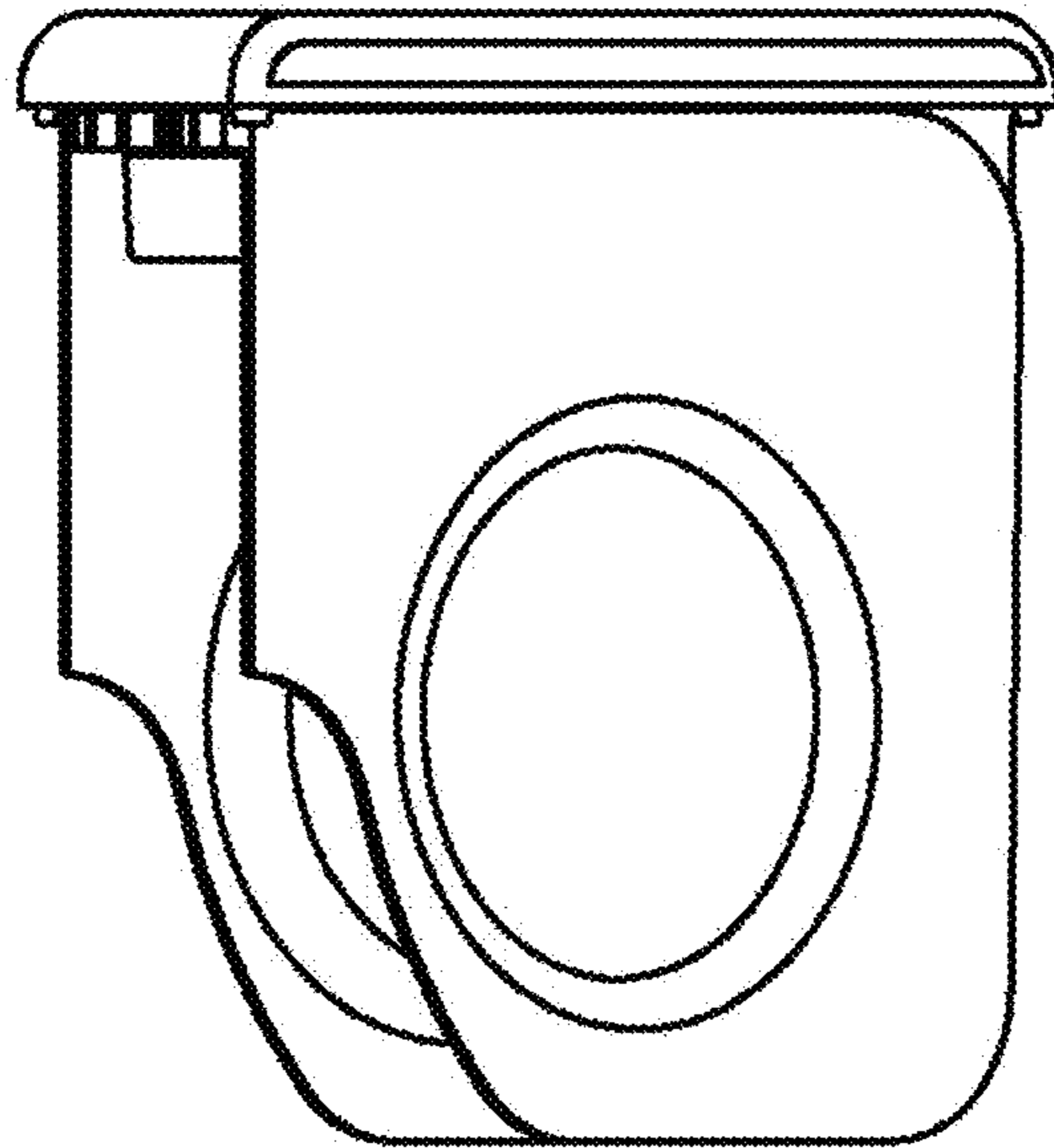


FIG. 15

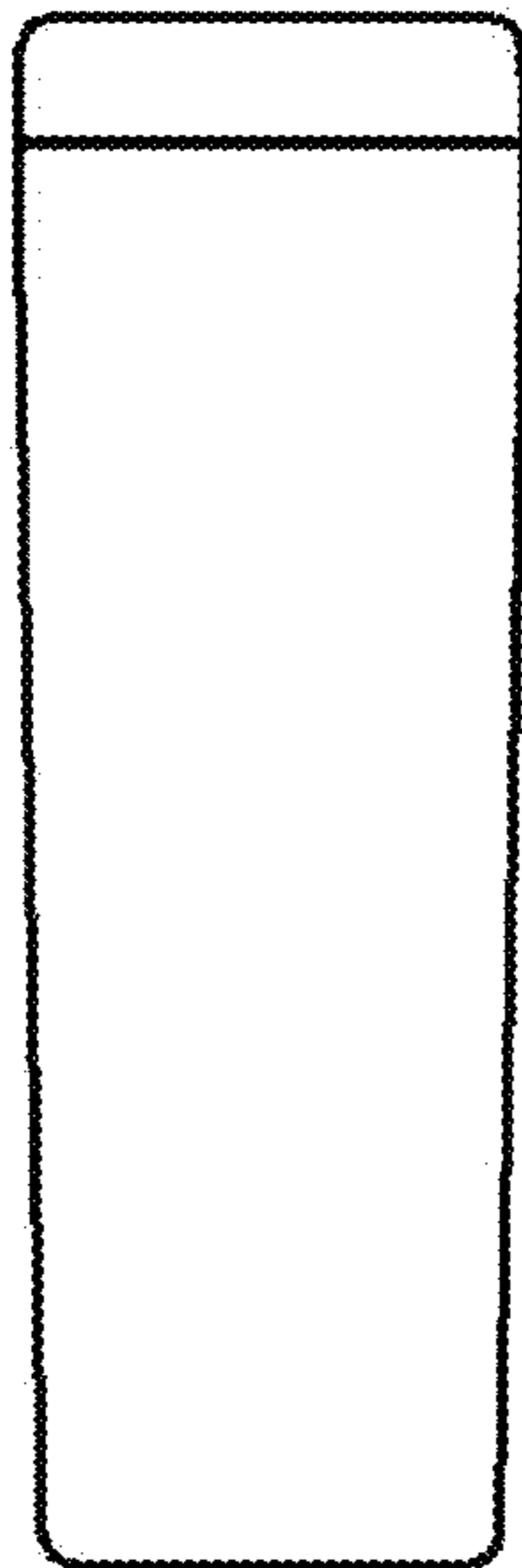


FIG. 16

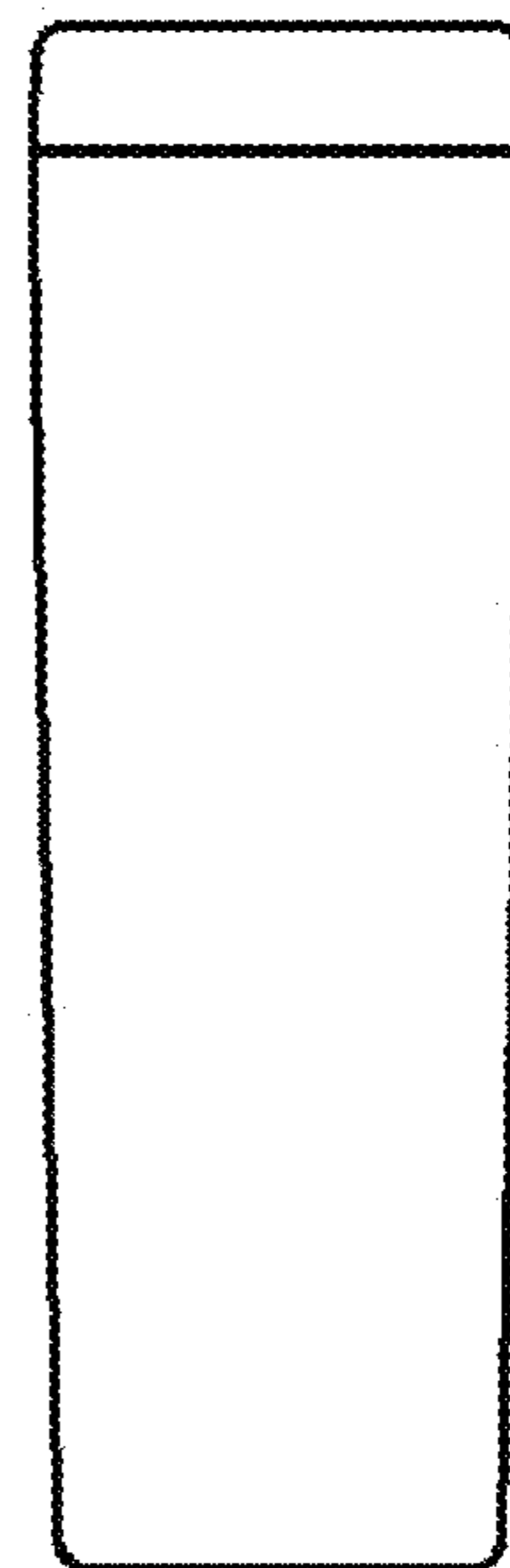


FIG. 17



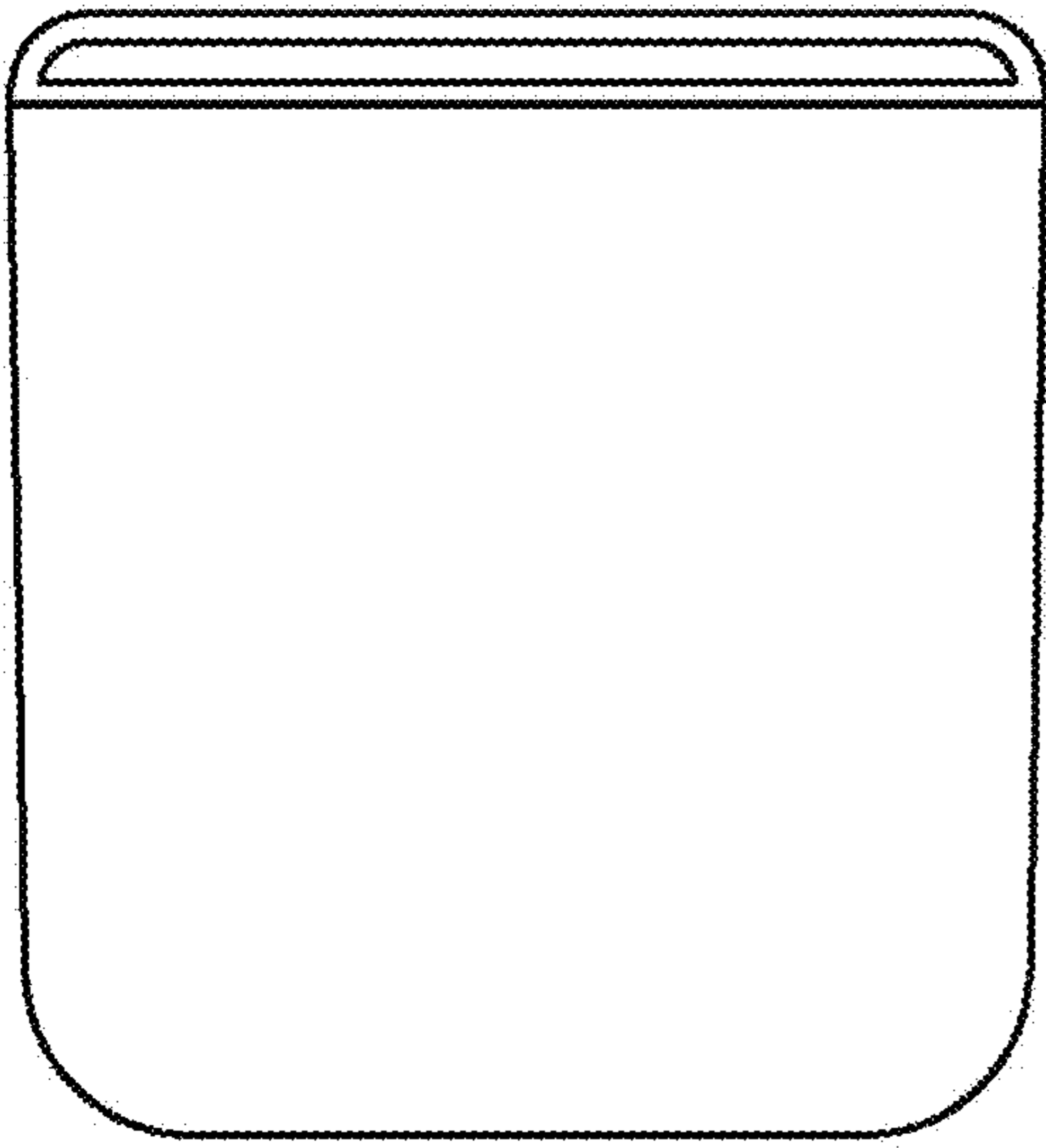


FIG. 18

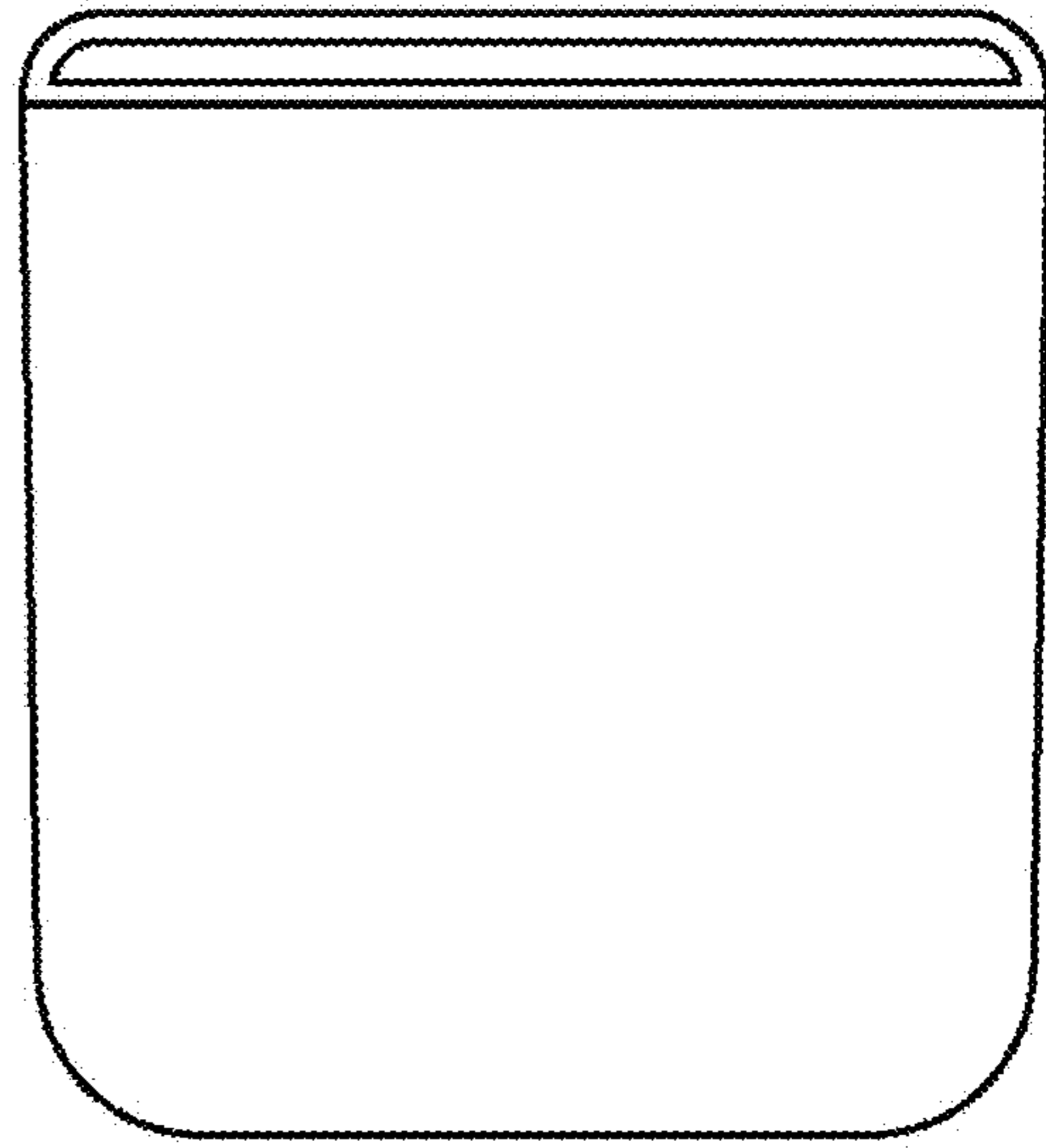


FIG. 19

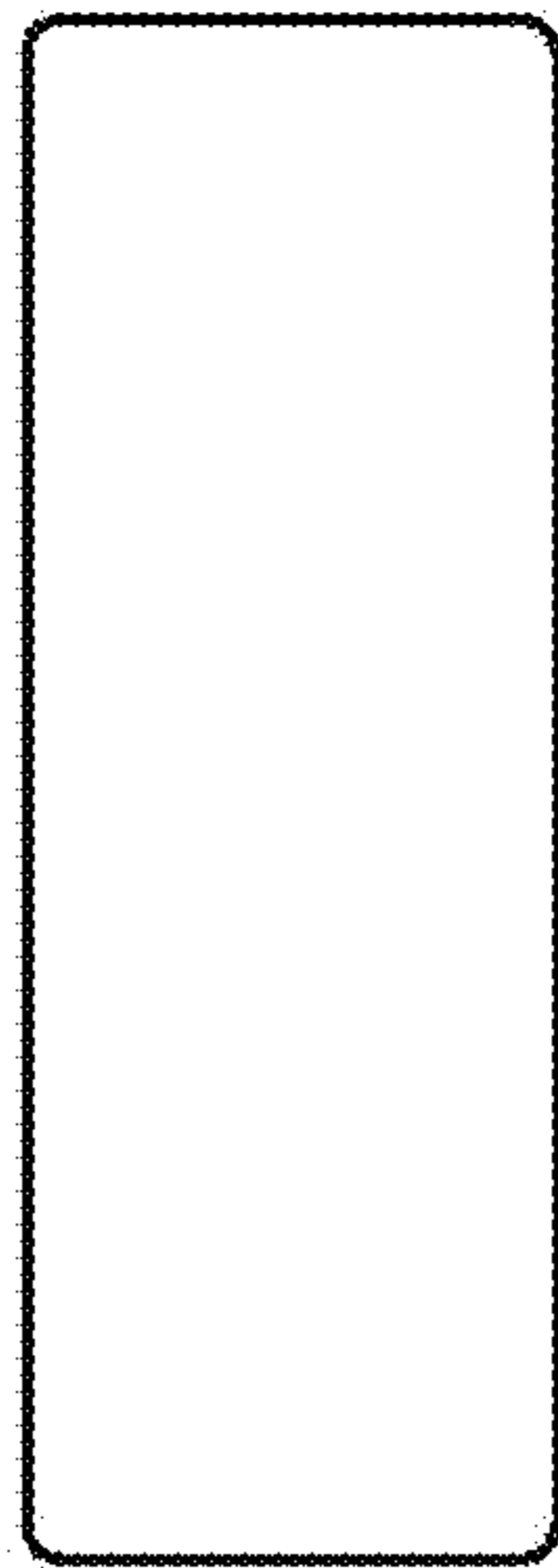


FIG. 20

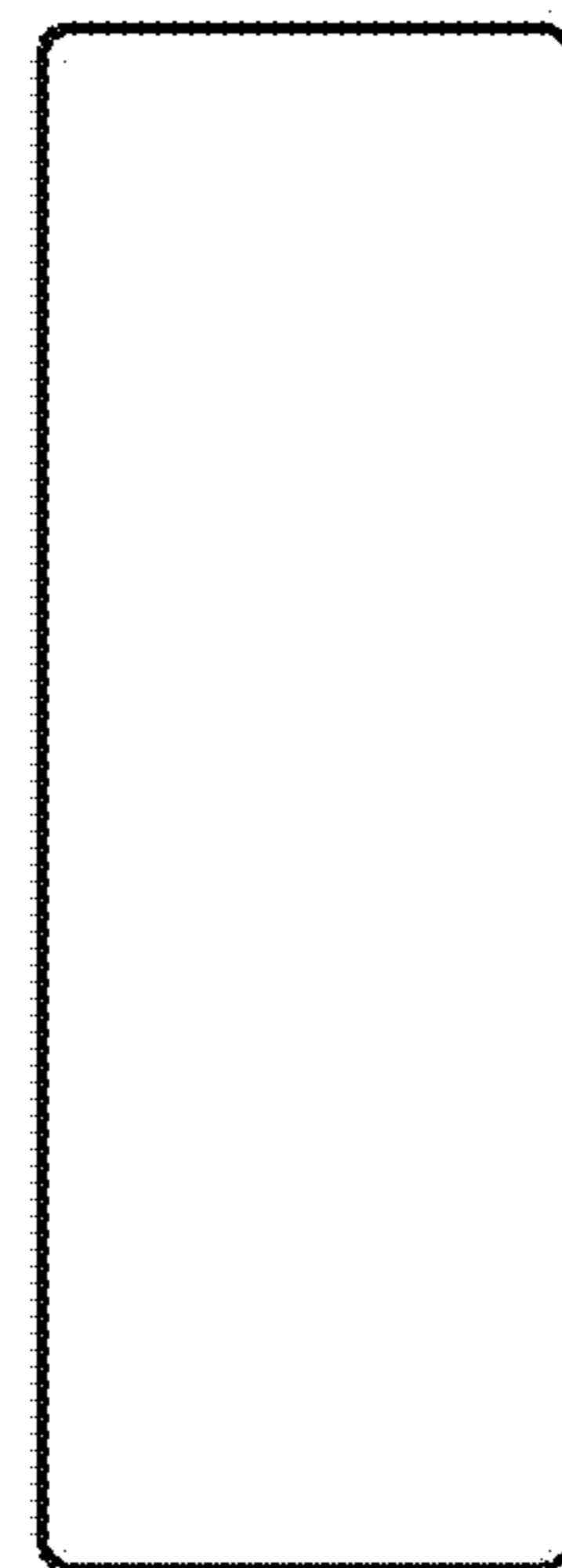


FIG. 21

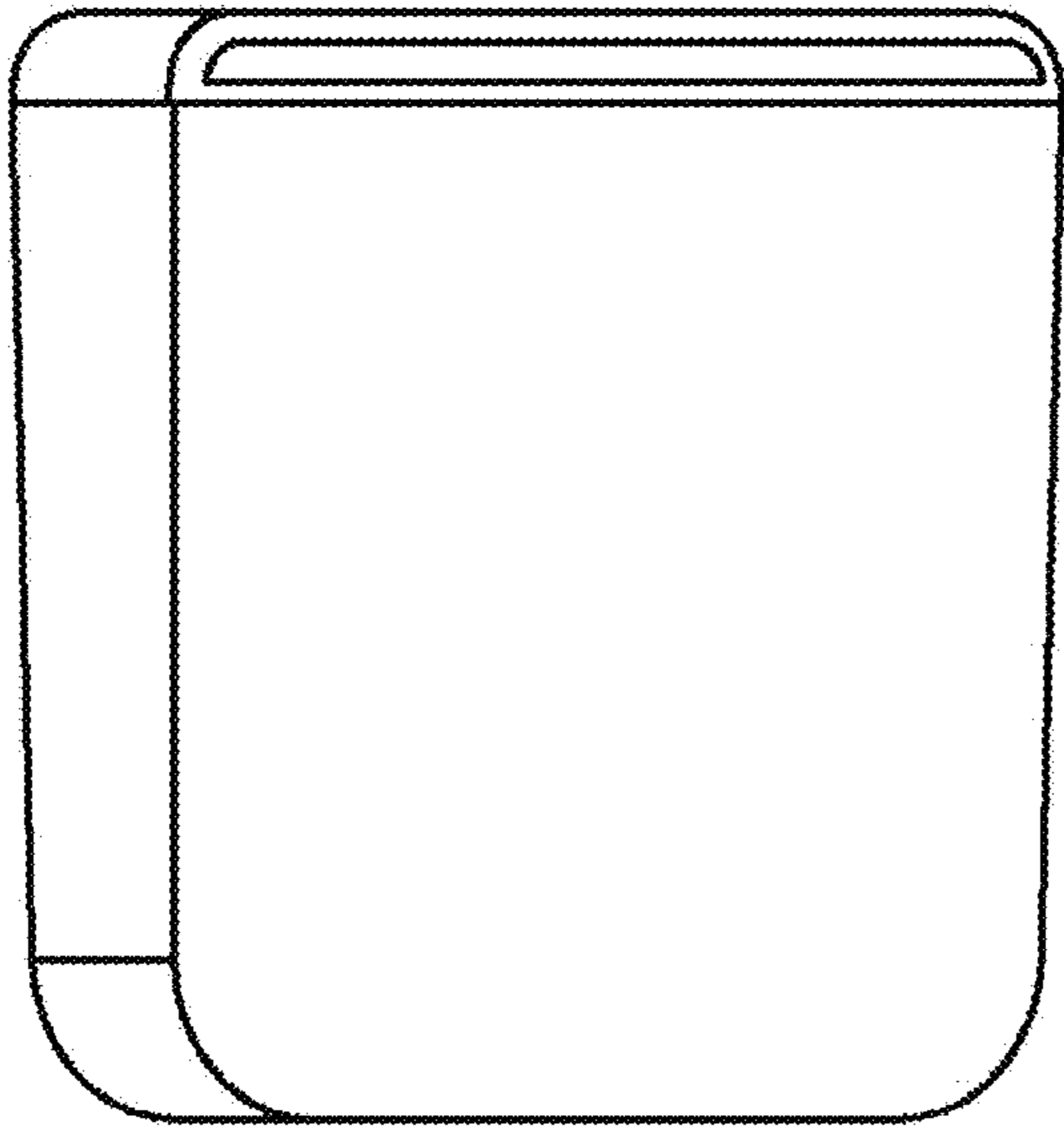


FIG. 22

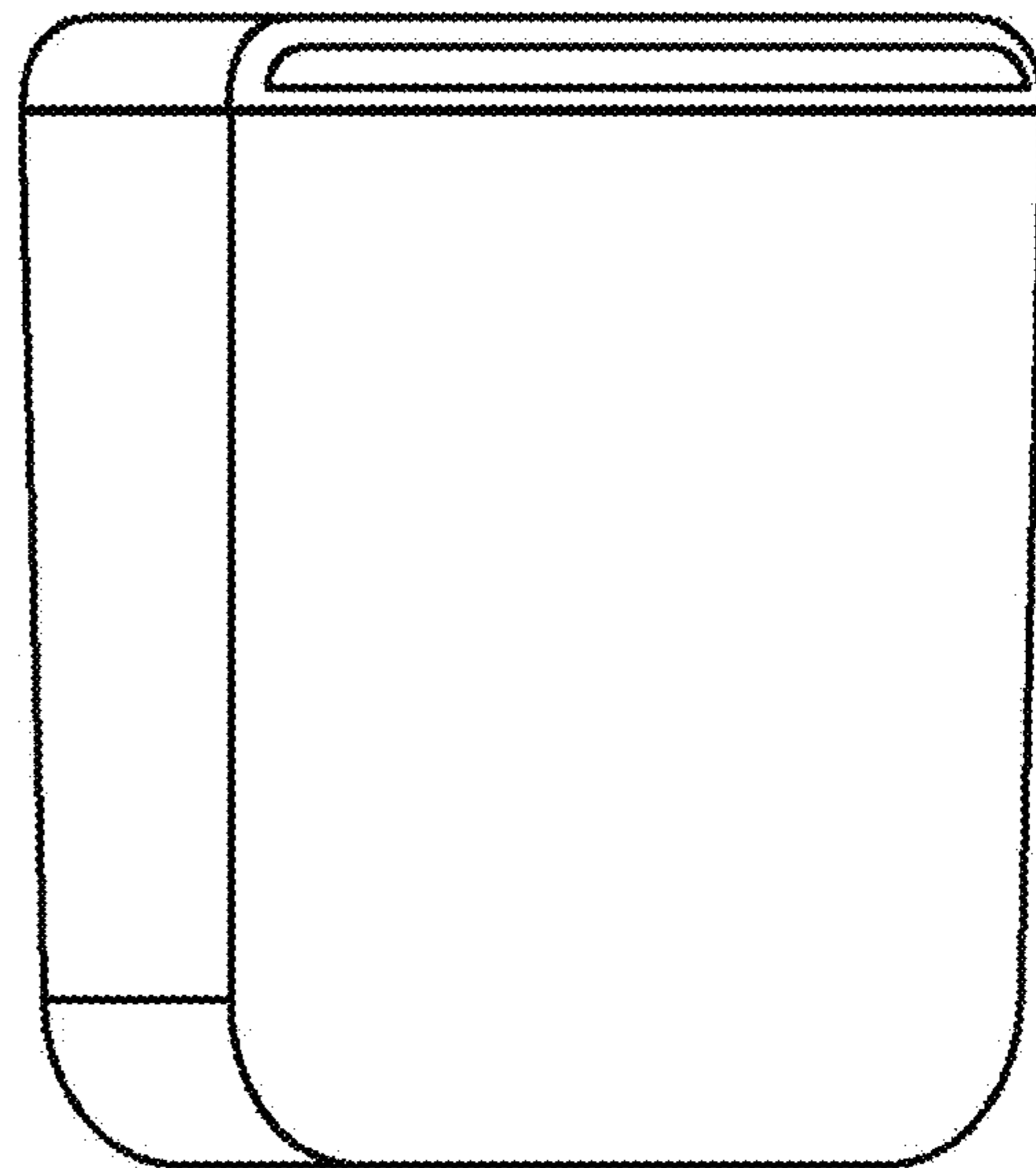


FIG. 23

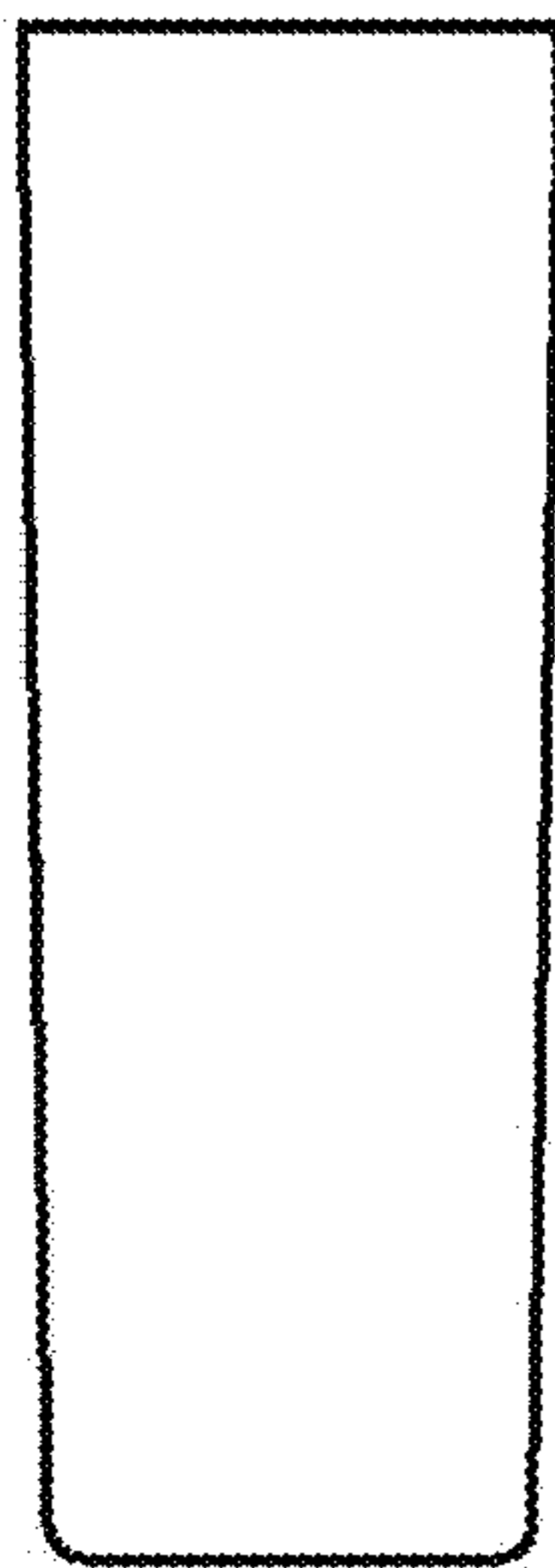


FIG. 24

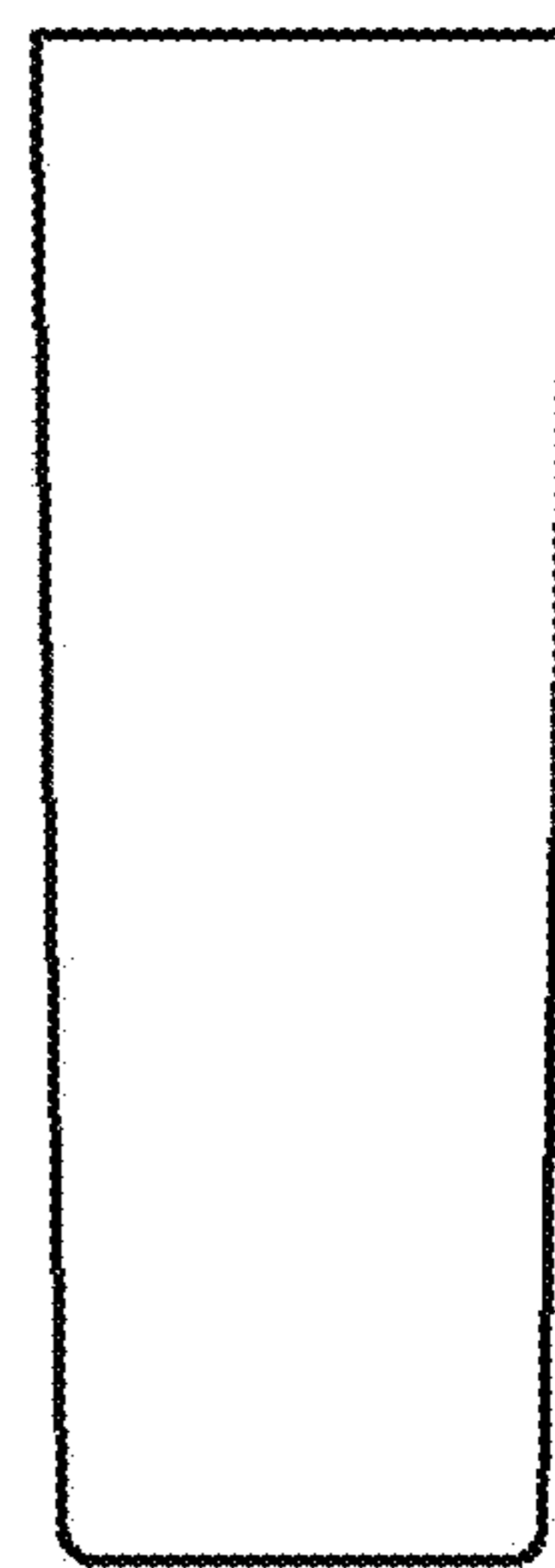


FIG. 25

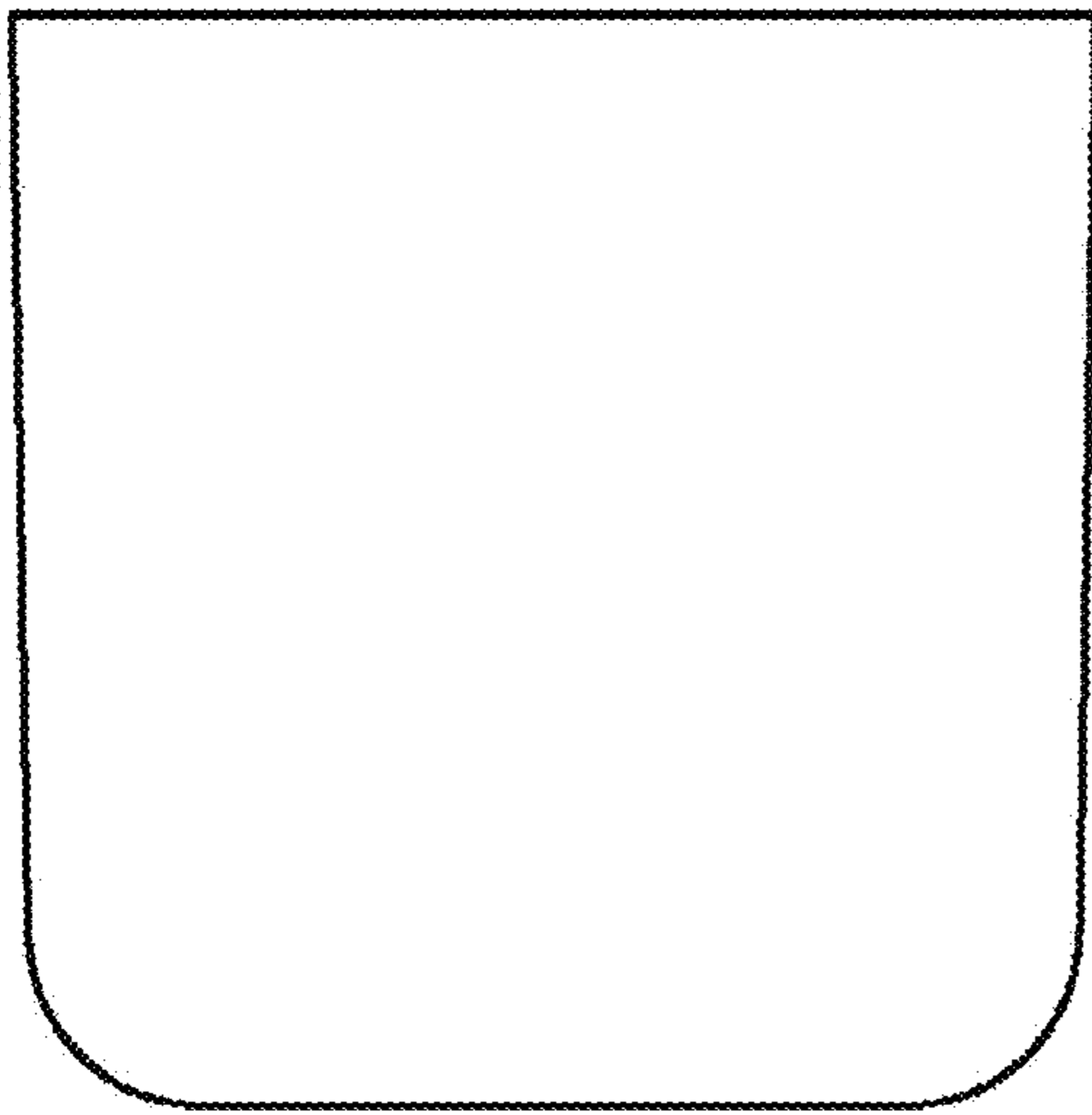


FIG. 26

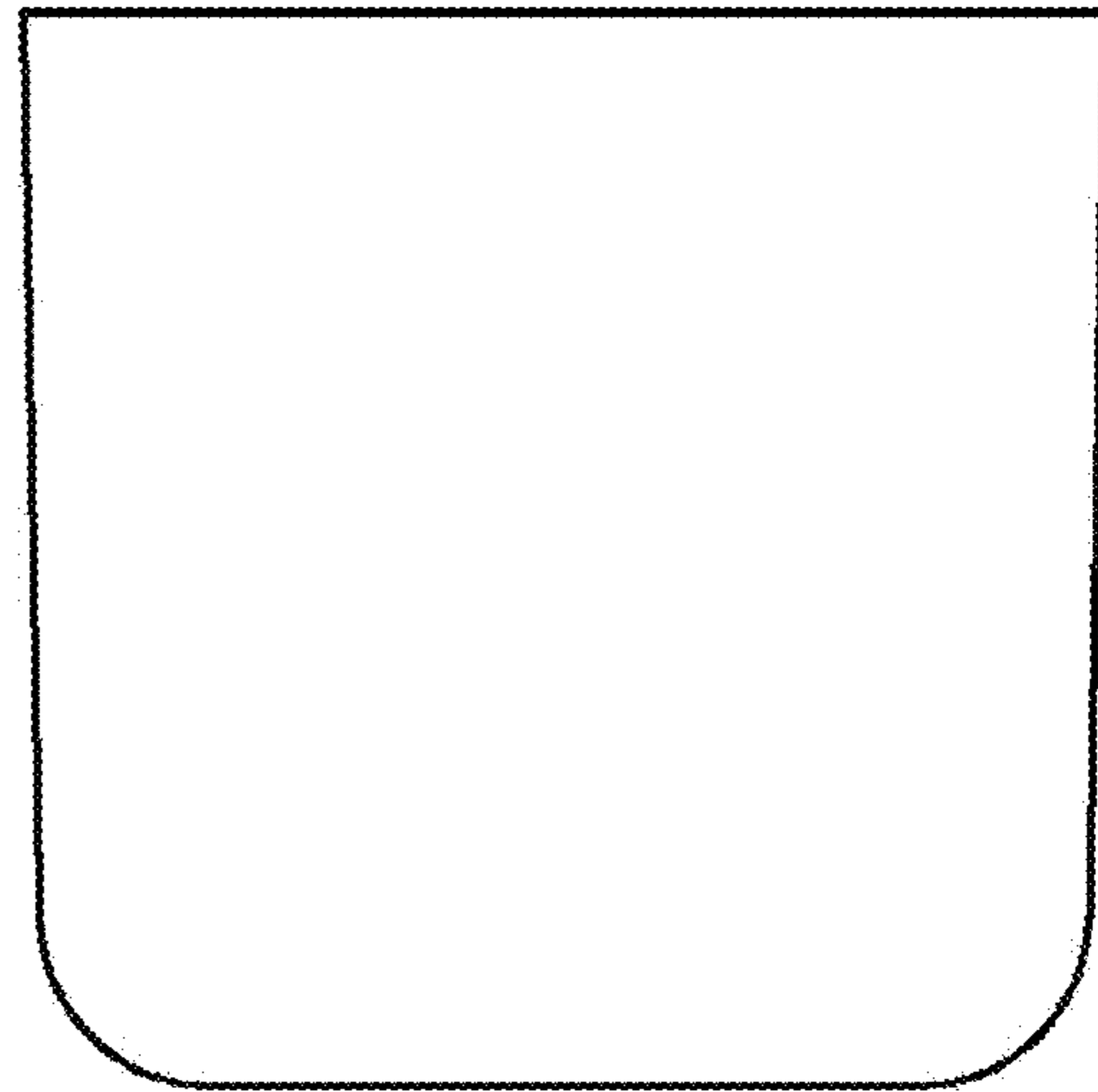


FIG. 27

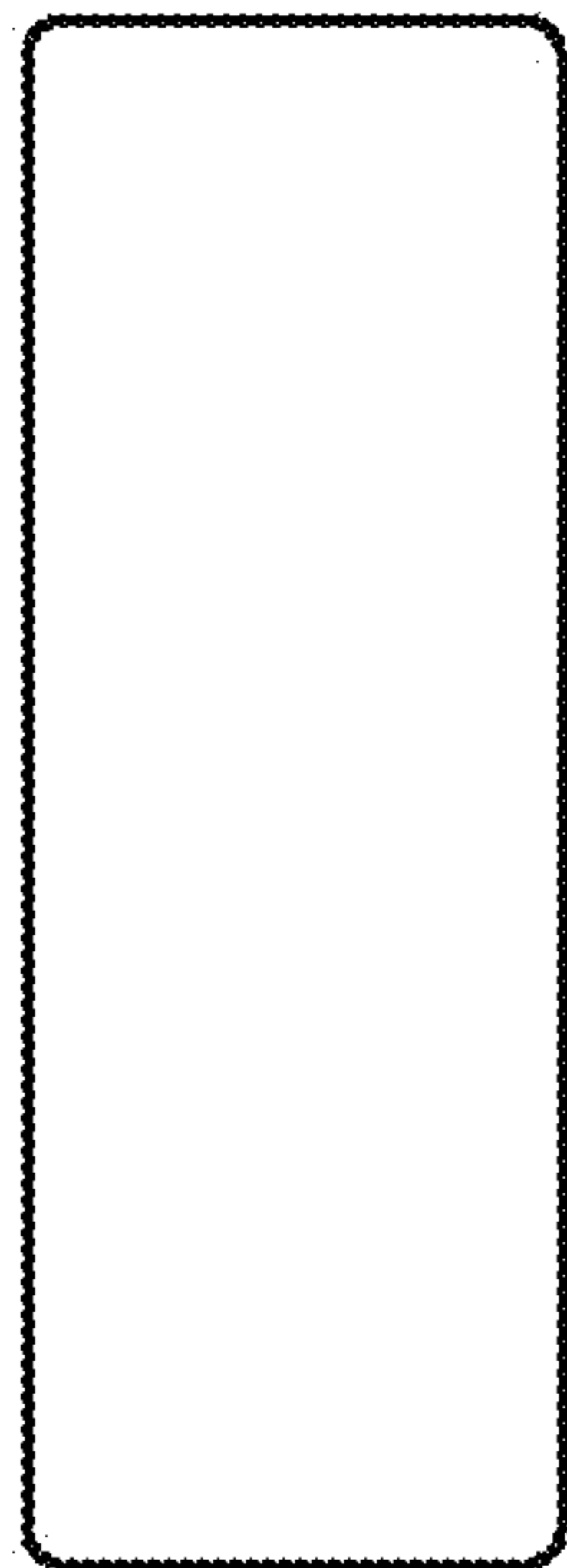


FIG. 28

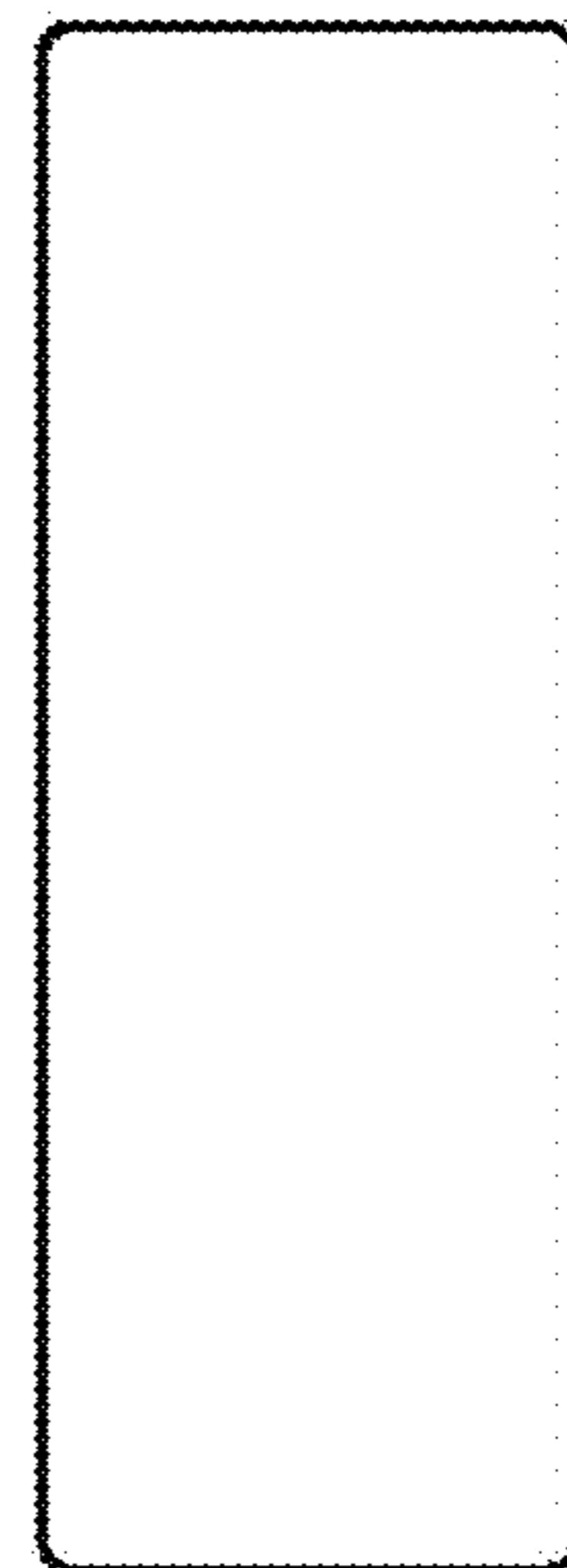


FIG. 29

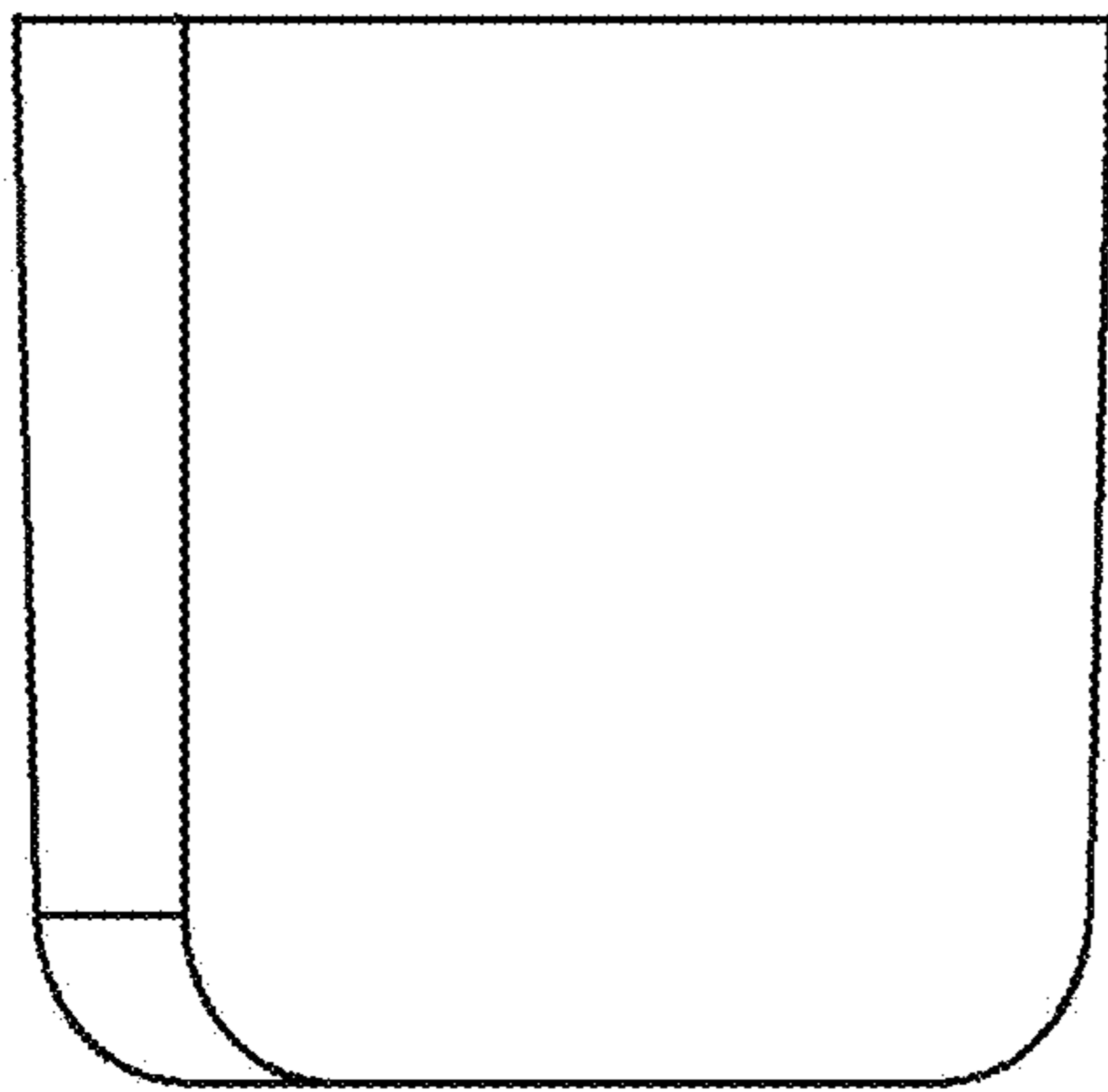


FIG. 30

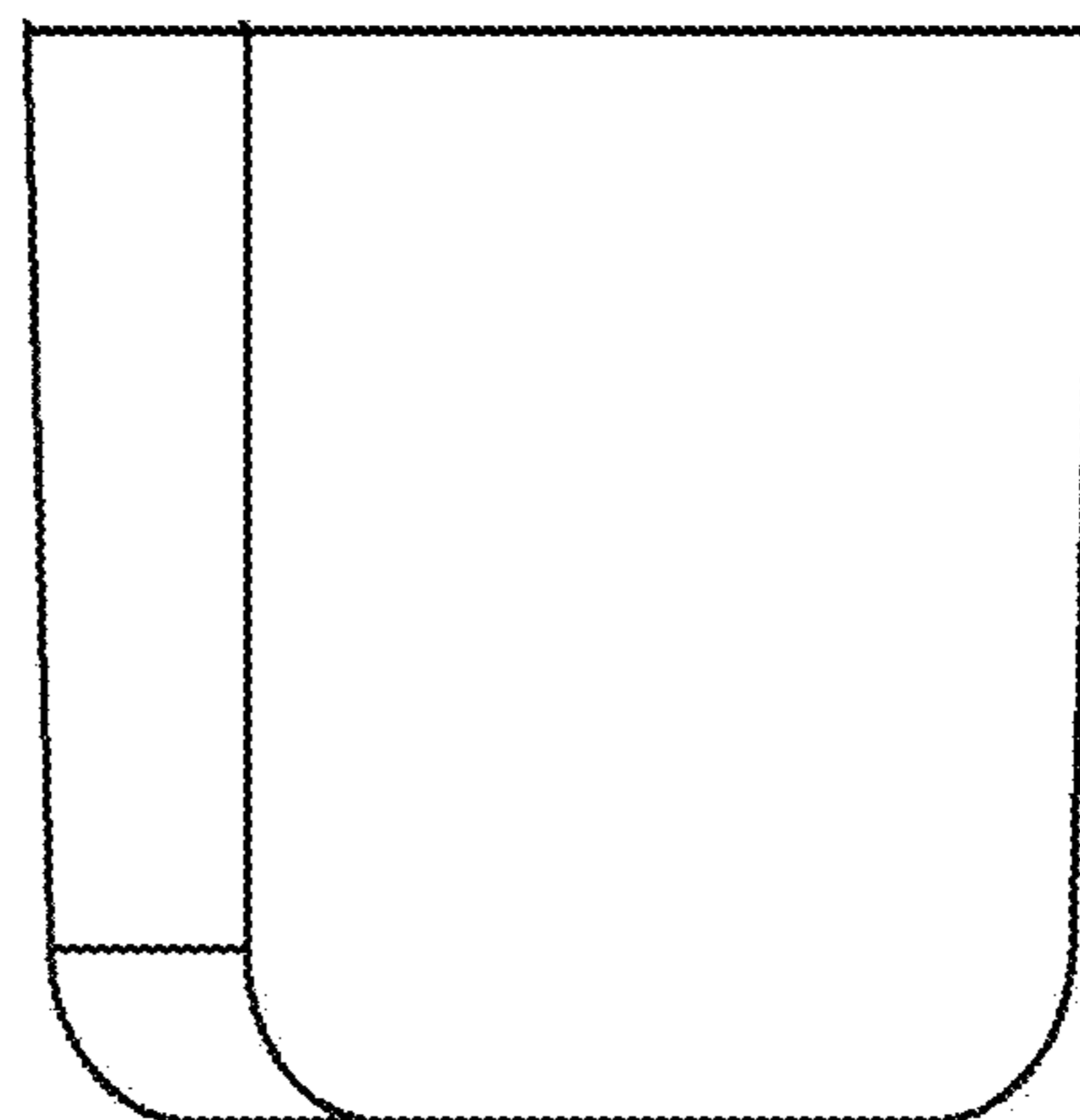


FIG. 31