



US00D798862S

(12) **United States Design Patent**
Wang

(10) **Patent No.:** **US D798,862 S**

(45) **Date of Patent:** **** Oct. 3, 2017**

(54) **WEARABLE INTERACTIVE DEVICE**

(71) Applicants: **LEAPSY CO., LTD**, New Taipei (TW);
Po-Wen Wang, New Taipei (TW)

(72) Inventor: **Po-Wen Wang**, New Taipei (TW)

(**) Term: **15 Years**

(21) Appl. No.: **29/574,859**

(22) Filed: **Aug. 19, 2016**

(30) **Foreign Application Priority Data**

Jul. 1, 2016 (TW) 105303772

(51) **LOC (10) Cl.** **14-02**

(52) **U.S. Cl.**
USPC **D14/372**

(58) **Field of Classification Search**
USPC D14/372, 496, 432, 371, 125, 126, 129,
D14/299; D16/300-342; 351/158, 153,
351/144; 345/7-9, 905; 455/344;
348/115, 53, 121, 739
CPC G02B 27/017; G02B 27/0158; G02B
27/0161; G02B 27/0181; G02B 27/0185;
G02B 27/0189
See application file for complete search history.

(56) **References Cited**

U.S. PATENT DOCUMENTS

D669,471 S * 10/2012 Hwang D14/372

| | | | | |
|--------------|---------|-----------|-------|---------|
| D741,324 S * | 10/2015 | Bosveld | | D14/372 |
| D748,628 S * | 2/2016 | Bosveld | | D14/372 |
| D759,015 S * | 6/2016 | Mehin | | D14/372 |
| D765,074 S * | 8/2016 | Katopis | | D14/372 |
| D773,461 S * | 12/2016 | Jiang | | D14/372 |
| D780,751 S * | 3/2017 | Park | | D14/372 |
| D781,288 S * | 3/2017 | Park | | D14/372 |
| D783,019 S * | 4/2017 | Letbetter | | D14/372 |
| D785,619 S * | 5/2017 | Su | | D14/372 |
| D792,401 S * | 7/2017 | Tang | | D14/372 |

* cited by examiner

Primary Examiner — Austin Murphy

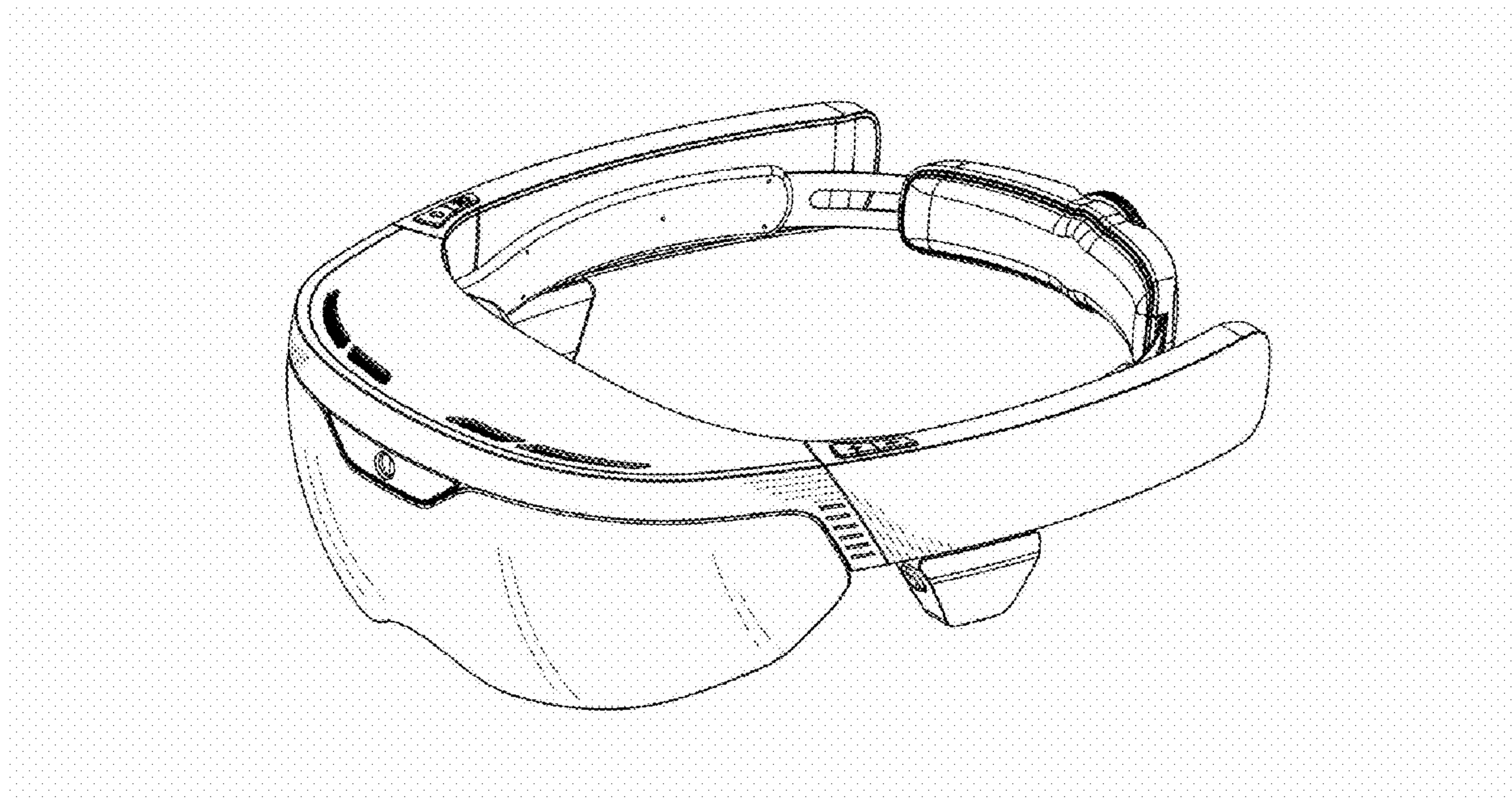
(57) **CLAIM**

The ornamental design for a wearable interactive device, design as shown and described.

DESCRIPTION

FIG. 1 is a perspective view of a wearable interactive device. FIG. 2 is a front view of the wearable interactive device. FIG. 3 is a rear view of the wearable interactive device. FIG. 4 is a left side view of the wearable interactive device. FIG. 5 is a right side view of the wearable interactive device. FIG. 6 is a top view of the wearable interactive device; and, FIG. 7 is a bottom view of the wearable interactive device.

1 Claim, 4 Drawing Sheets



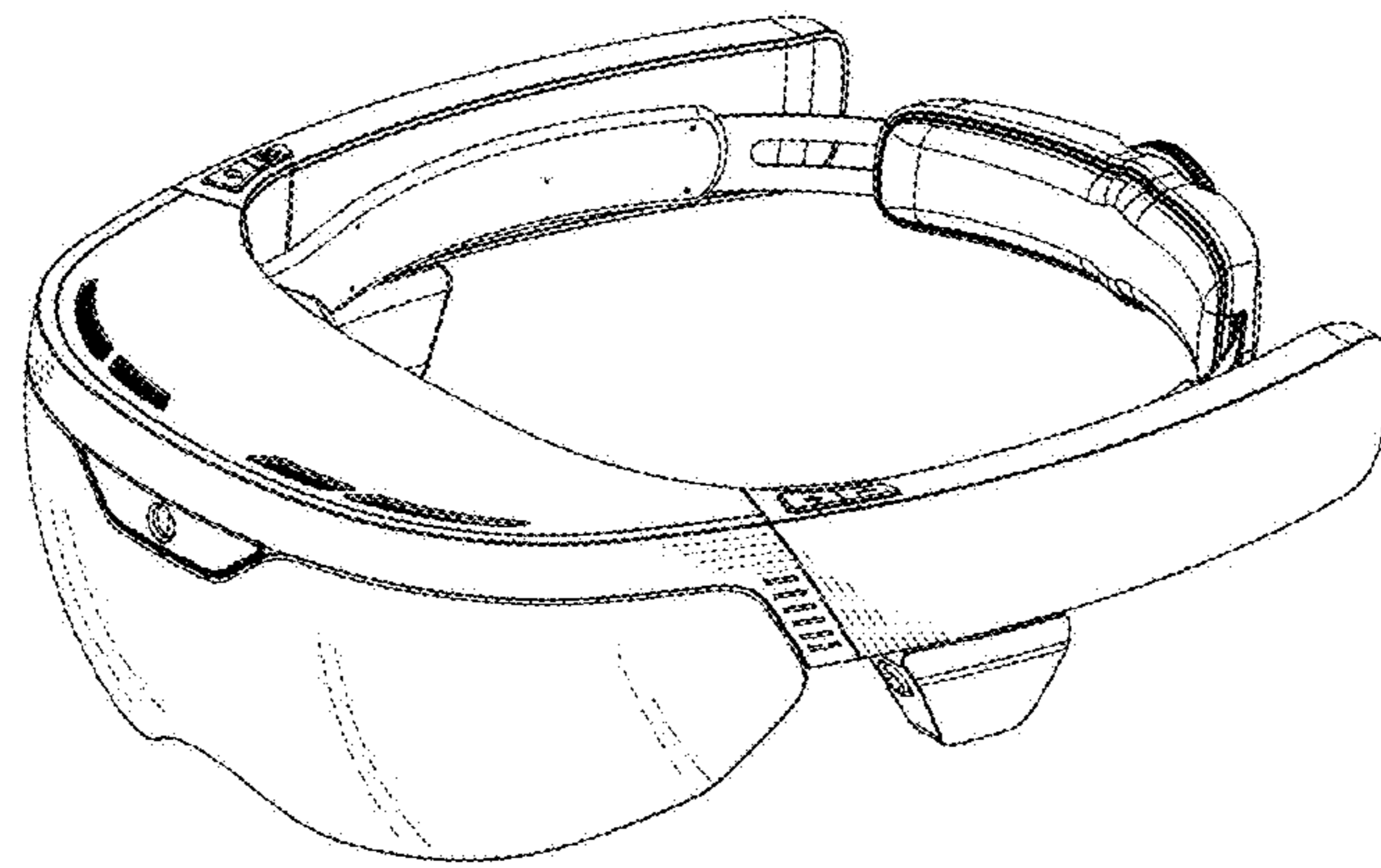


FIG.1

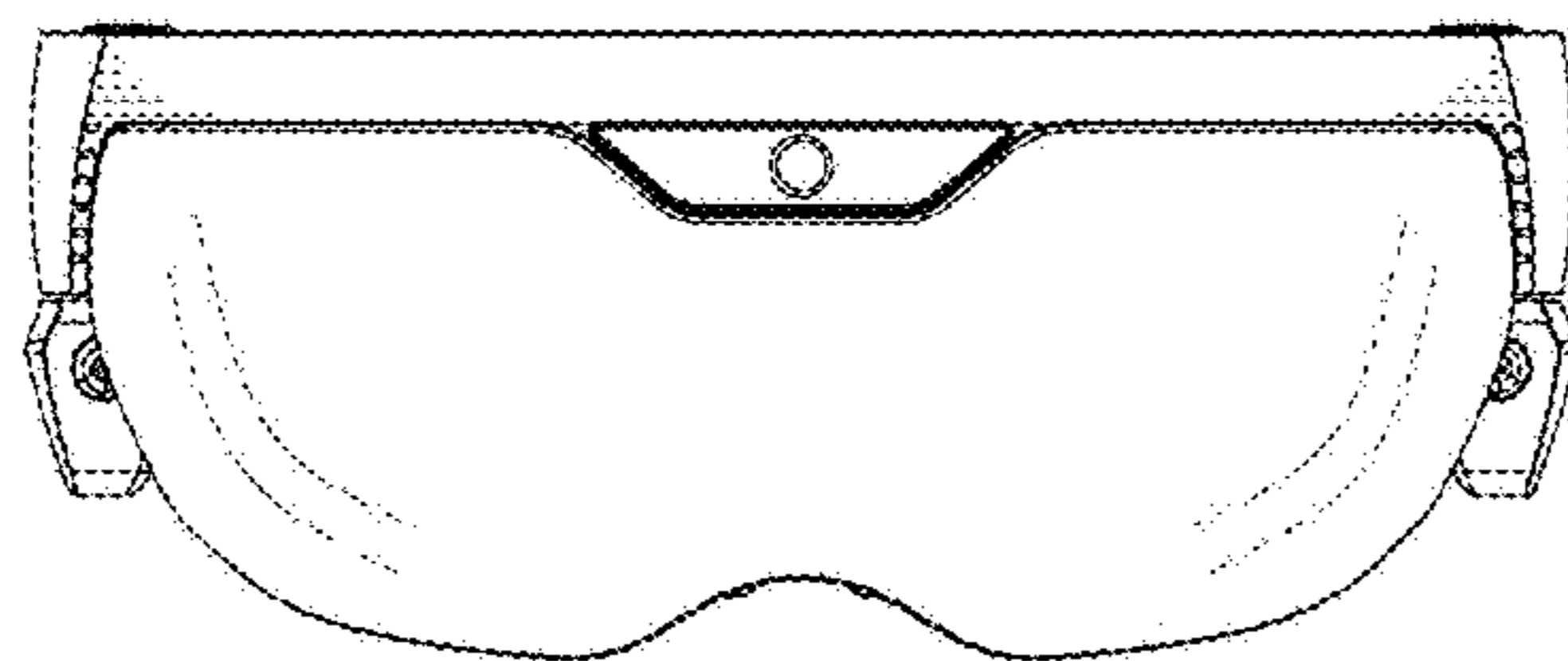


FIG.2

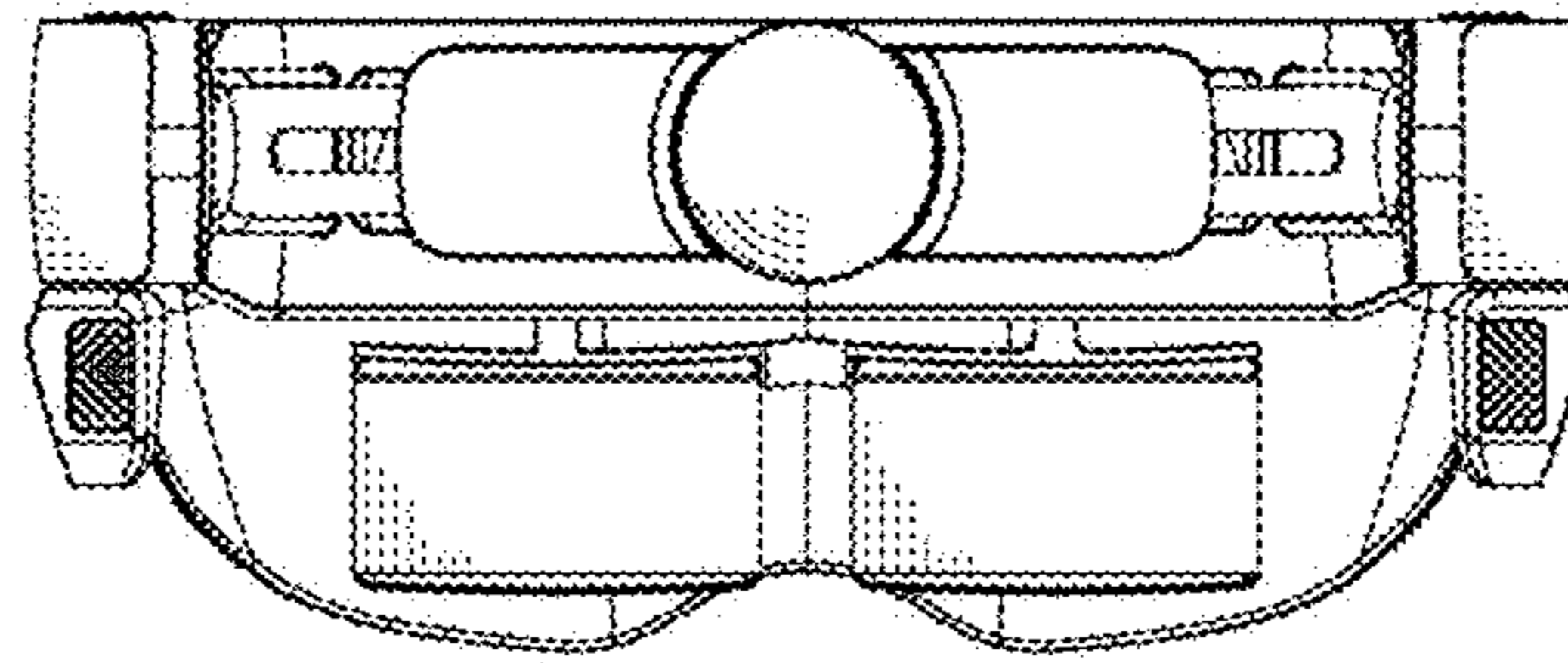


FIG.3

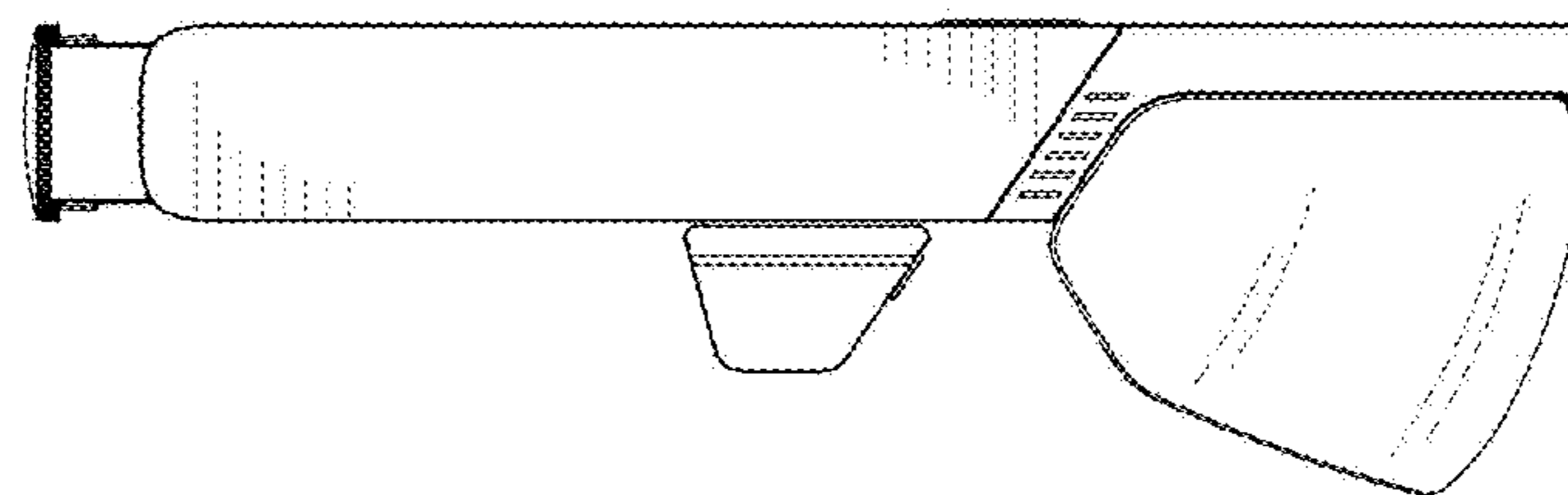


FIG.4

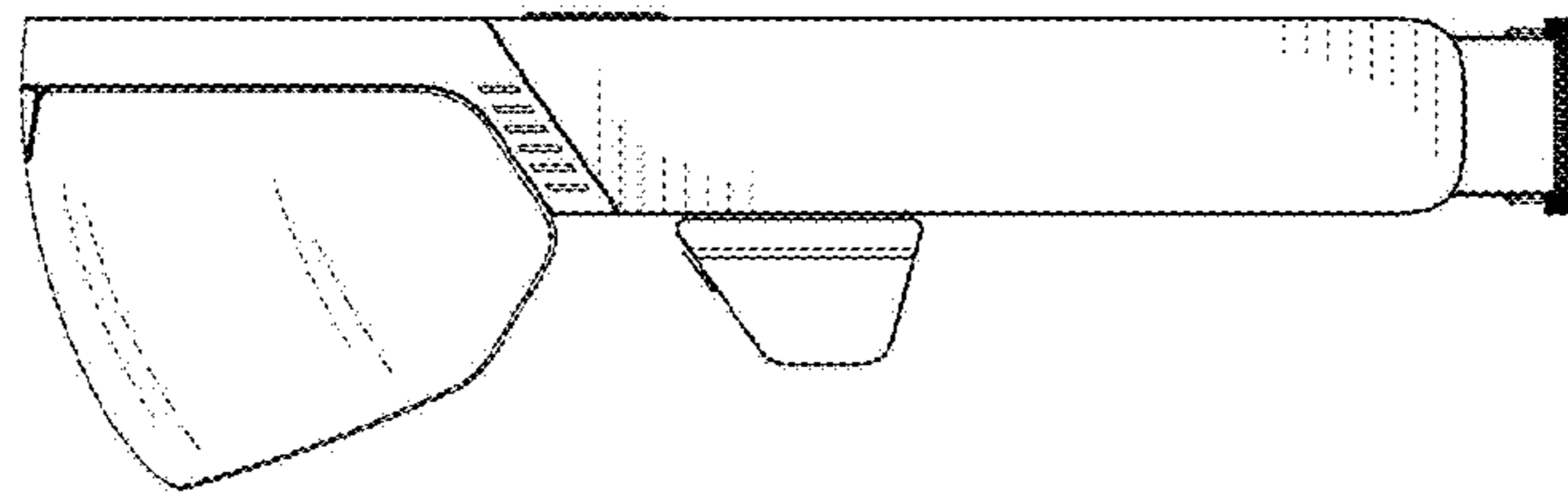


FIG. 5

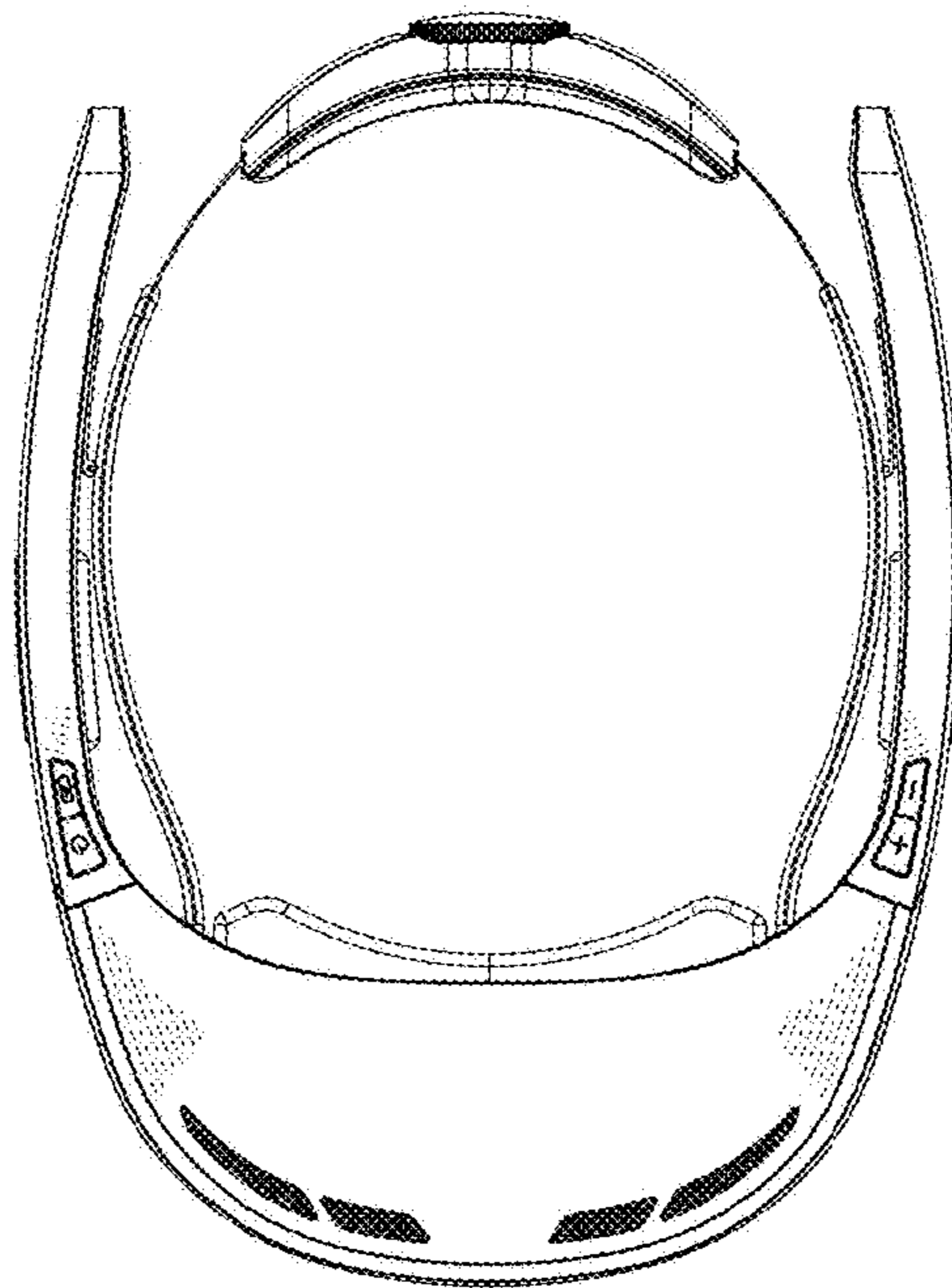


FIG. 6

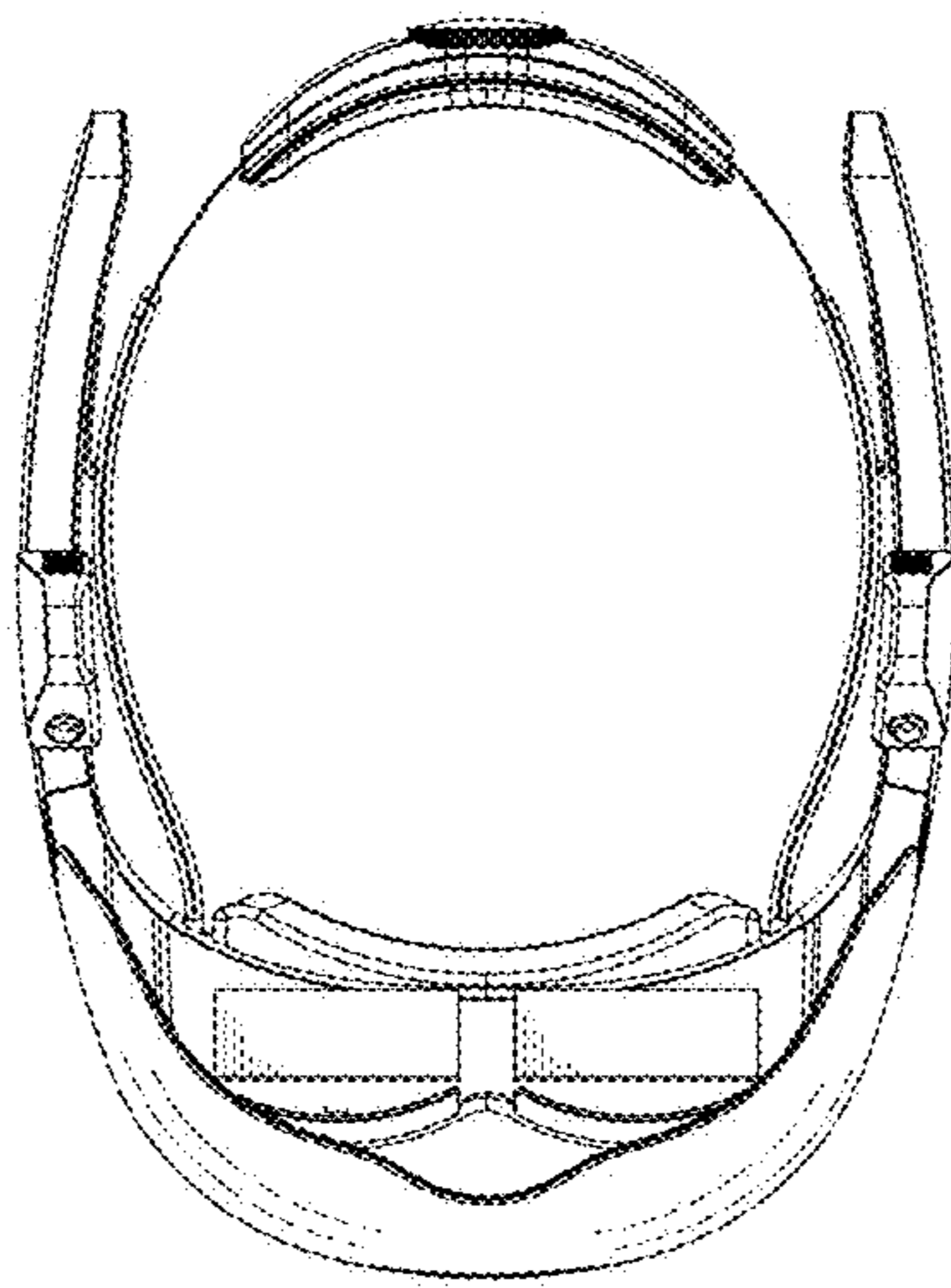


FIG.7