



US00D798855S

(12) **United States Design Patent**  
**Wright et al.**

(10) **Patent No.:** **US D798,855 S**

(45) **Date of Patent:** **\*\* \*Oct. 3, 2017**

(54) **PHONE CASE**

(71) Applicant: **CATALYST LIFESTYLE LIMITED,**  
North Point (CN)

(72) Inventors: **Joshua Wright,** Hong Kong (CN);  
**June Lai,** Hong Kong (CN)

(73) Assignee: **CATALYST LIFESTYLE LIMITED,**  
North Point, Hong Kong (CN)

(\*) Notice: This patent is subject to a terminal disclaimer.

(\*\*) Term: **15 Years**

(21) Appl. No.: **29/583,028**

(22) Filed: **Nov. 1, 2016**

(51) **LOC (10) Cl.** ..... **14-03**

(52) **U.S. Cl.**  
USPC ..... **D14/250**

(58) **Field of Classification Search**  
USPC ..... D14/238.1, 440, 203.3-203.7, 217, 240,  
D14/447, 250, 248, 251-253; D3/201,  
D3/218, 247, 269, 273, 301, 303;  
D13/103, 107-108, 119  
CPC ..... H04B 1/3888; H04M 1/0283; H04M  
1/0202; A45C 1/06; A45C 2011/002;  
A45C 11/00; A45C 13/02; A45F  
2005/026; A45F 2200/0525; A45F  
2200/0516  
See application file for complete search history.

(56) **References Cited**

**U.S. PATENT DOCUMENTS**

1,195,299 A	8/1916	Watcher
1,205,217 A	11/1916	Kaufman
1,986,328 A	1/1935	Dreyfus
2,136,625 A	11/1938	Lasko
2,392,787 A	1/1946	Vermot
D157,606 S	3/1950	Lachman
3,789,601 A	2/1974	Bergey

3,800,525 A	4/1974	Bergey
3,992,874 A	11/1976	Collins
4,236,239 A	11/1980	Imgruth et al.
4,390,288 A	6/1983	Arnoux

(Continued)

**OTHER PUBLICATIONS**

Review: Catalyst Introduces Waterproof Cases for iPhone 7 and Apple Watch 2, published Nov. 16, 2016, URL: <http://beantownreview.com/catalyst-waterproof-case-iphone-7-apple-watch/>, retrieved from internet on Jul. 11, 2017.\*

*Primary Examiner* — Carla Jobe Wright

(74) *Attorney, Agent, or Firm* — Dinsmore & Shohl LLP

(57) **CLAIM**

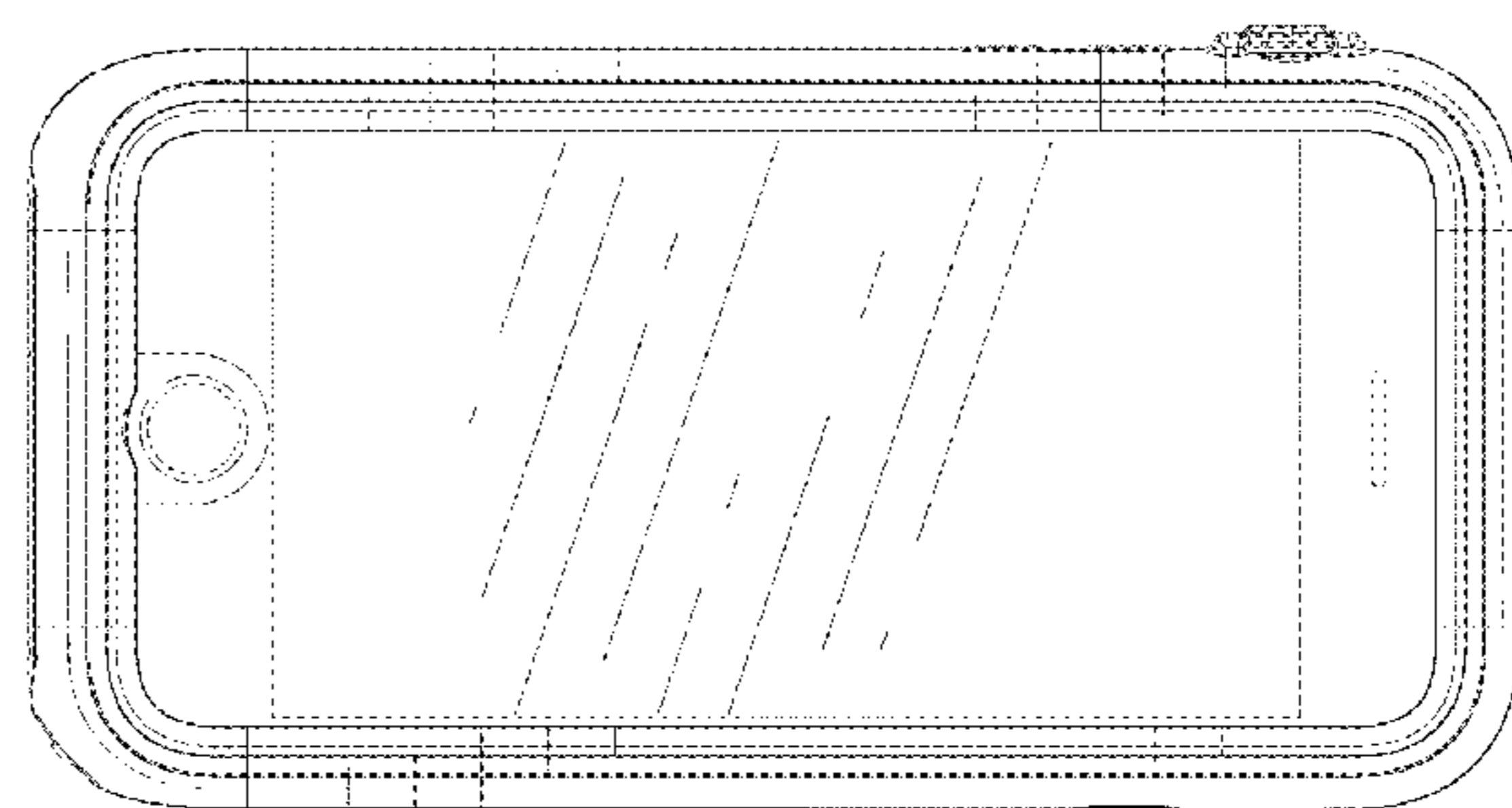
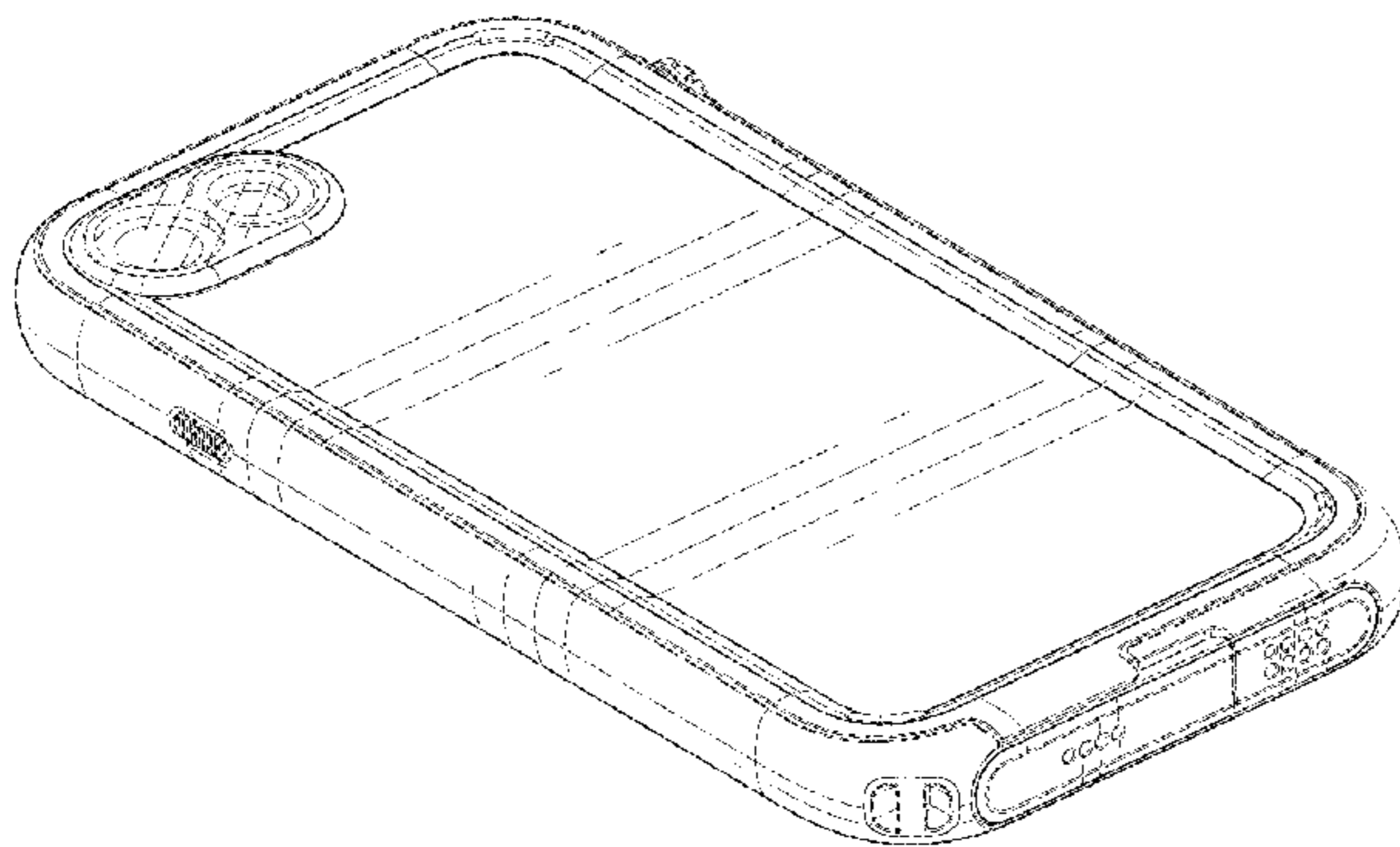
The ornamental design for a phone case, as shown and described.

**DESCRIPTION**

FIG. 1 is a top, rear, and right-side perspective view of a phone case showing our new design; FIG. 2 is a top, front, and left-side perspective view of the phone case of FIG. 1; FIG. 3 is a bottom, rear, and left-side perspective view of the phone case of FIG. 1; FIG. 4 is a bottom, front, and right-side perspective view of the phone case of FIG. 1; FIG. 5 is a top plan view of the phone case of FIG. 1; FIG. 6 is a bottom plan view of the phone case of FIG. 1; FIG. 7 is a right-side elevation view of the phone case of FIG. 1; FIG. 8 is a left-side elevation view of the phone case of FIG. 1; FIG. 9 is a front elevation view of the phone case of FIG. 1; and, FIG. 10 is a rear elevation view of the phone case of FIG. 1.

The broken lines in FIGS. 1-2 and 5 depict an environmental phone that forms no part of the claimed design.

**1 Claim, 4 Drawing Sheets**



(56)

References Cited

U.S. PATENT DOCUMENTS

D278,685 S	5/1985	Suzuki et al.	D727,194 S	4/2015	Wilson
D279,081 S	6/1985	Suzuki et al.	9,007,758 B2	4/2015	Wilson et al.
D283,014 S	3/1986	Suzuki et al.	D729,218 S	5/2015	Wilson et al.
D290,234 S	6/1987	Komatsu	D737,159 S	8/2015	Akana et al.
D293,417 S	12/1987	Sakamaki	9,101,184 B2	8/2015	Wilson
D341,092 S	11/1993	Wild	D739,768 S	9/2015	Hanshew et al.
D351,799 S	10/1994	Bulgari	D740,798 S *	10/2015	Poon ..... D14/250
5,477,508 A	12/1995	Will	D741,726 S	10/2015	Akana et al.
D386,094 S	11/1997	Ventrella	D742,254 S	11/2015	Greusel et al.
D465,163 S	11/2002	Bodino	D742,761 S	11/2015	Grazian et al.
D507,975 S	8/2005	Dreyfuss	D744,356 S	12/2015	Akana et al.
D517,430 S	3/2006	TerMeer et al.	D745,421 S	12/2015	Akana et al.
D528,440 S	9/2006	Lovegrove	9,223,346 B2	12/2015	Wilson
D528,441 S	9/2006	Burton	D746,707 S	1/2016	Akana et al.
D528,928 S	9/2006	Burton	9,264,089 B2 *	2/2016	Tages ..... H04M 1/185
D539,671 S	4/2007	Lassigne	D751,067 S	3/2016	Nousiainen
D564,367 S	3/2008	Molyneux	D751,550 S	3/2016	Solomon et al.
D603,827 S	11/2009	Tompkin et al.	D751,558 S	3/2016	Lee
D638,312 S	5/2011	Jacobs	D752,044 S	3/2016	Akana et al.
D638,324 S	5/2011	Tang	D752,579 S	3/2016	Lee
7,946,758 B2	5/2011	Mooring	9,301,414 B2 *	3/2016	Chao ..... H05K 5/065
D645,031 S	9/2011	Richardson et al.	D752,996 S	4/2016	Ebersold
D657,262 S	4/2012	Pulli	D756,357 S	5/2016	Akana et al.
D666,924 S	9/2012	Ahlstrom	D757,702 S *	5/2016	Kanazawa ..... D14/250
D672,255 S	12/2012	Zanella et al.	D757,703 S *	5/2016	Kanazawa ..... D14/250
D672,265 S	12/2012	Pulli	D759,641 S *	6/2016	Lai ..... D14/250
D673,477 S	1/2013	Szellos	D759,644 S *	6/2016	Penn ..... D14/250
8,345,412 B2	1/2013	Maravilla et al.	D759,645 S *	6/2016	Penn ..... D14/250
D677,251 S *	3/2013	Melanson ..... D14/250	D759,725 S	6/2016	Akana et al.
D683,338 S	5/2013	Wilson et al.	D765,627 S *	9/2016	Watt ..... D14/250
D688,582 S	8/2013	Wilson	D765,629 S *	9/2016	Watt ..... D14/250
D688,967 S	9/2013	Wilson	D768,612 S *	10/2016	Wright ..... D14/250
D691,124 S *	10/2013	Yang ..... D14/250	D772,855 S *	11/2016	Ju ..... D14/250
D692,419 S *	10/2013	Rayner ..... D14/250	D777,715 S *	1/2017	Sawaya ..... D14/250
D693,251 S	11/2013	Anderssen et al.	2012/0073093 A1	3/2012	Szellos
D693,801 S *	11/2013	Rayner ..... D14/250	2012/0118773 A1 *	5/2012	Rayner ..... G06F 1/1626 206/320
D697,504 S *	1/2014	Yang ..... D14/250	2013/0001263 A1	1/2013	Kai
D703,652 S *	4/2014	Melanson ..... D14/250	2014/0048574 A1 *	2/2014	Kimble ..... A45F 5/00 224/257
D709,057 S	7/2014	Wilson et al.	2014/0339104 A1 *	11/2014	Magness ..... A45C 11/00 206/37
D709,059 S *	7/2014	Kim ..... D14/250	2014/0356495 A1	12/2014	Teuscher
8,787,009 B2	7/2014	Wilson et al.	2015/0068935 A1 *	3/2015	Kay ..... A45C 13/36 206/320
D714,771 S *	10/2014	Rayner ..... D14/250	2015/0189963 A1 *	7/2015	Lai ..... A45C 13/008 224/191
D716,786 S	11/2014	Wilson et al.			
D717,678 S	11/2014	Anderssen et al.			
8,967,437 B2	3/2015	Wilson			

\* cited by examiner

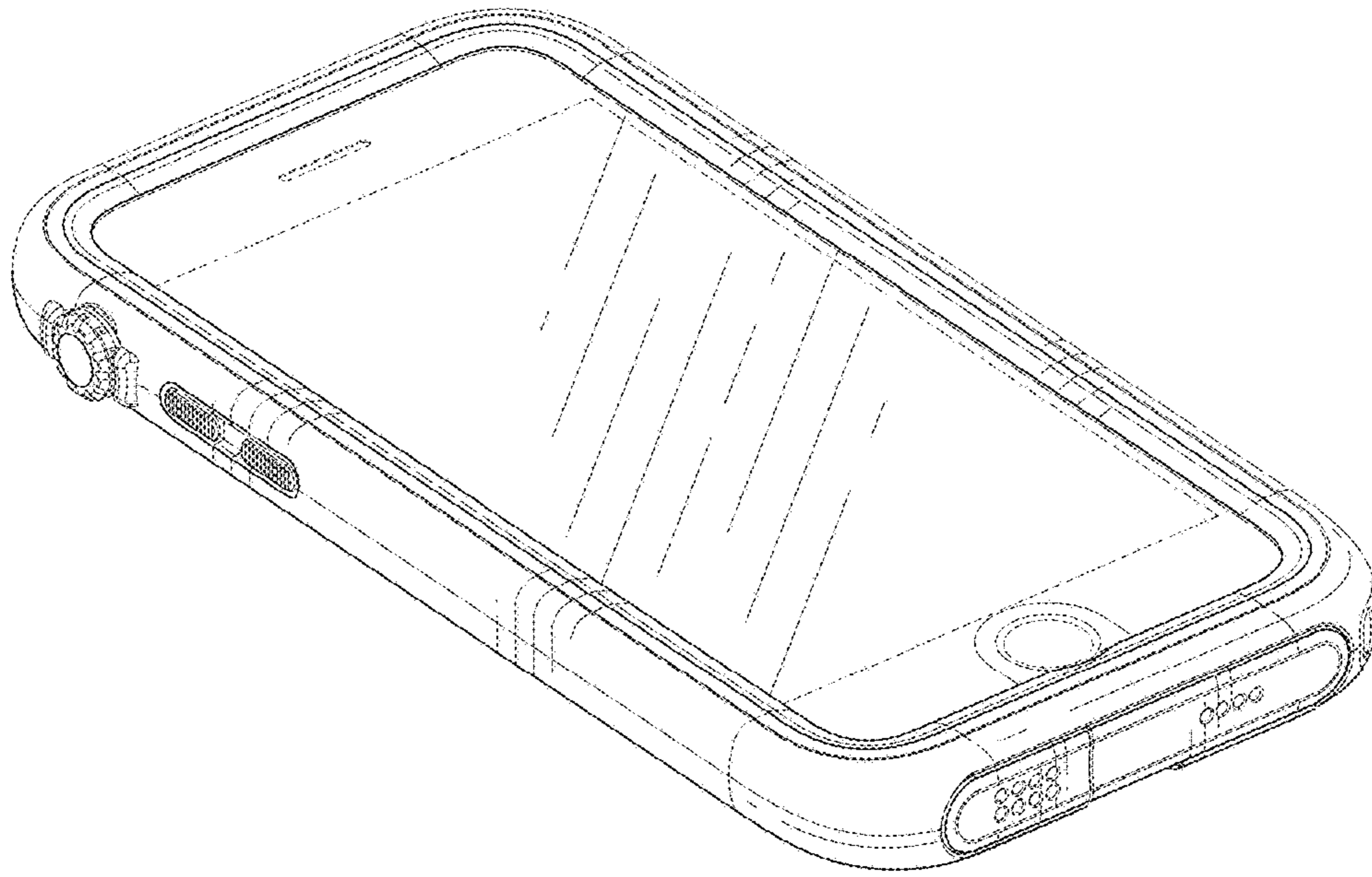


FIG. 1

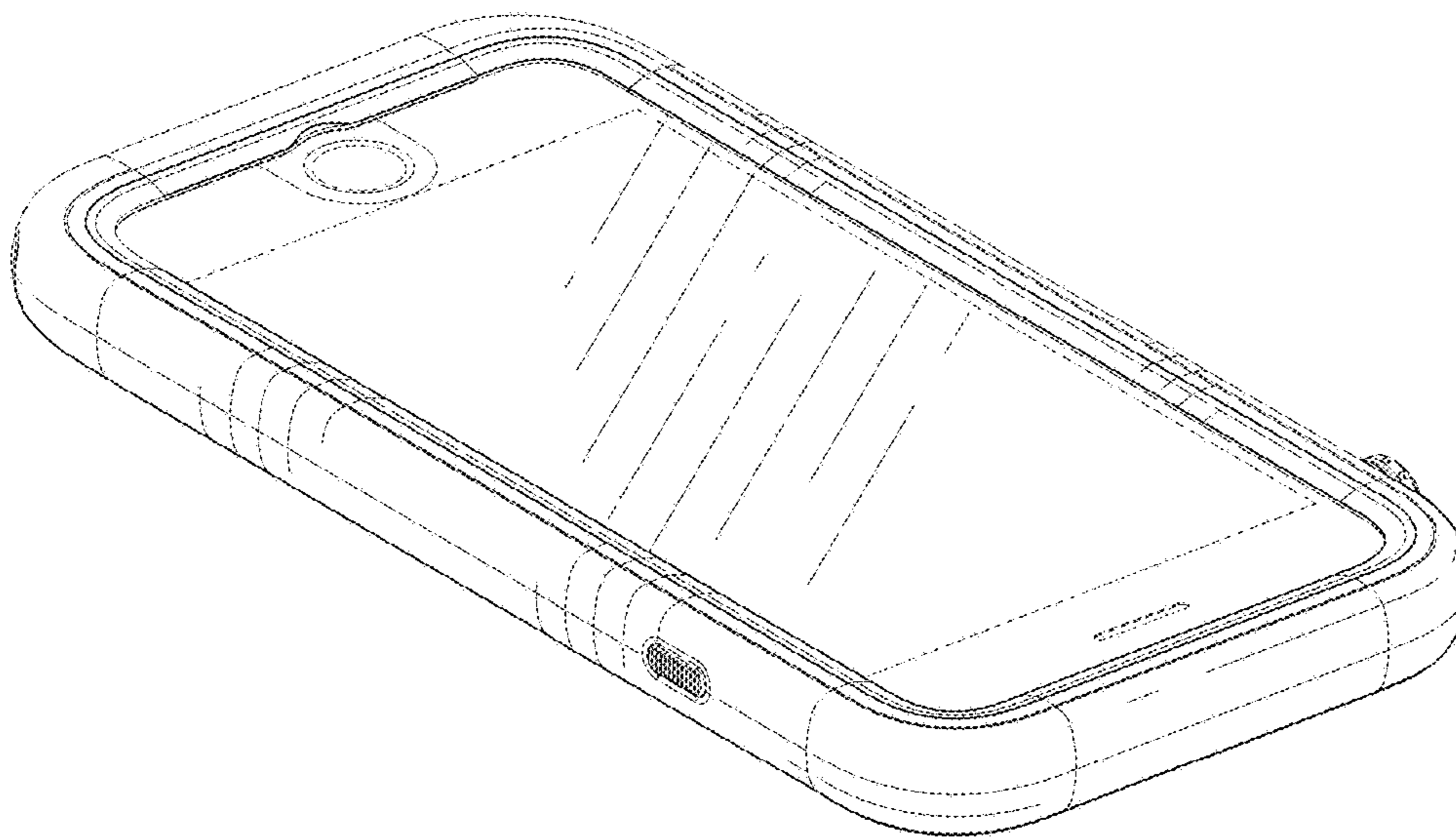


FIG. 2

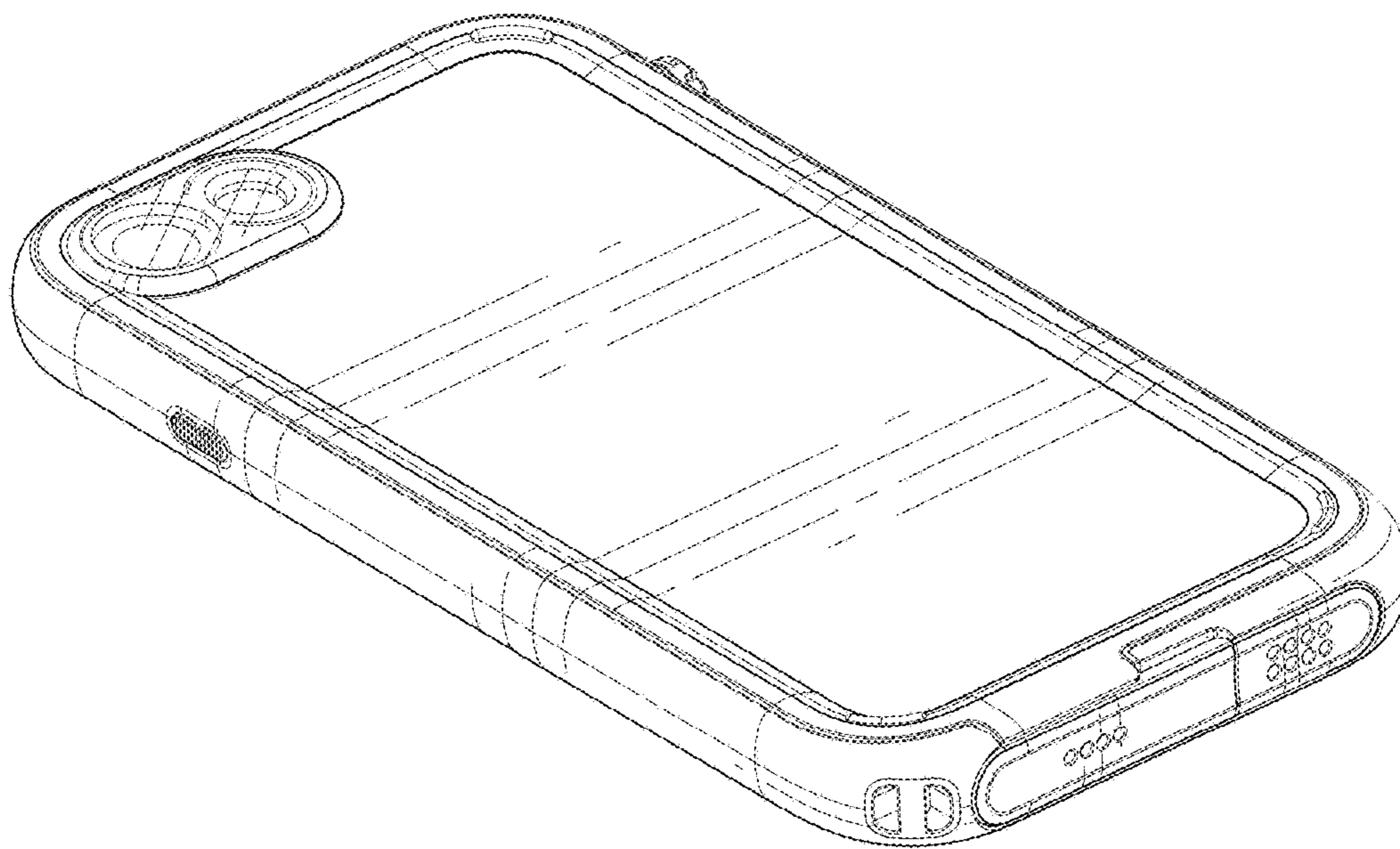


FIG. 3

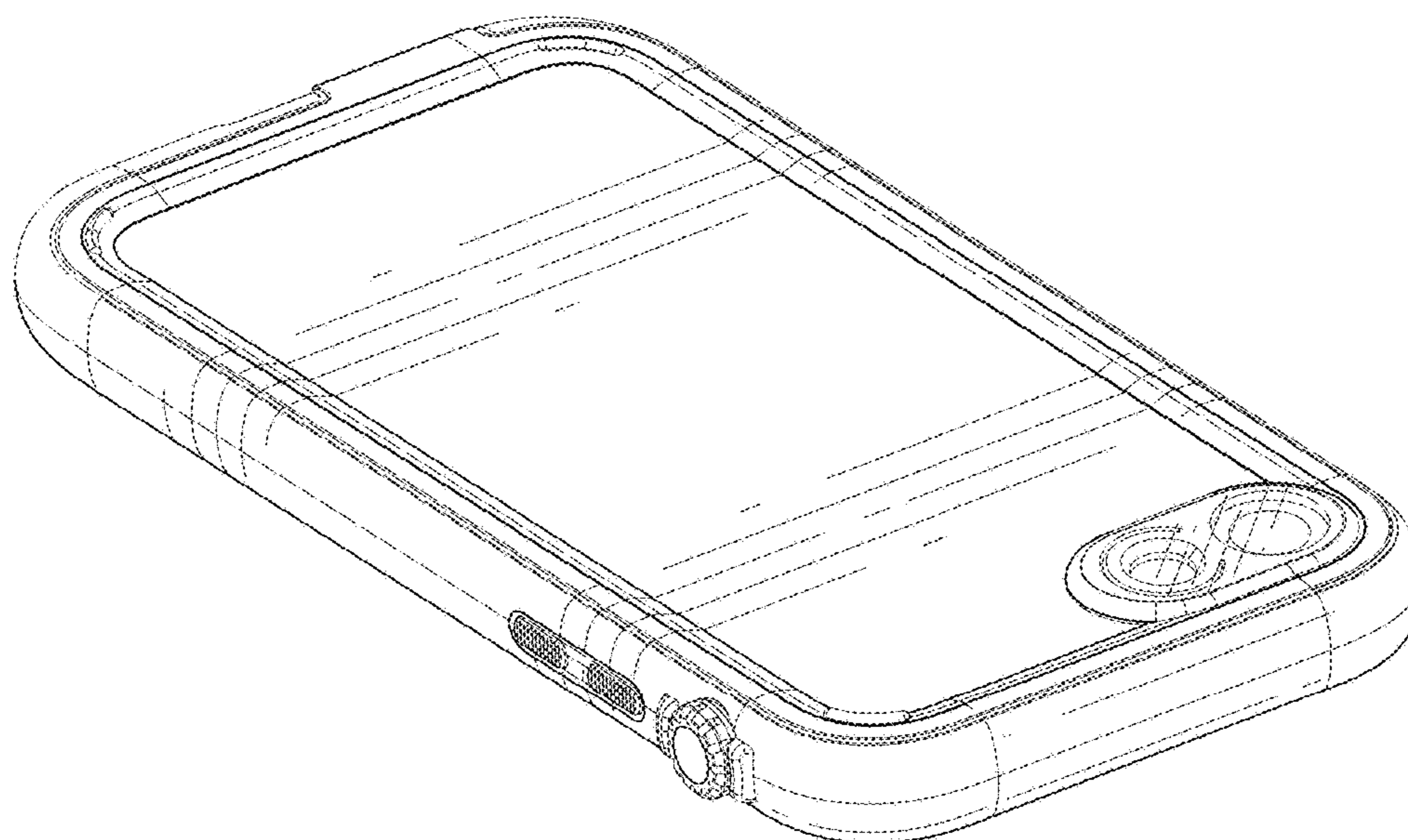


FIG. 4

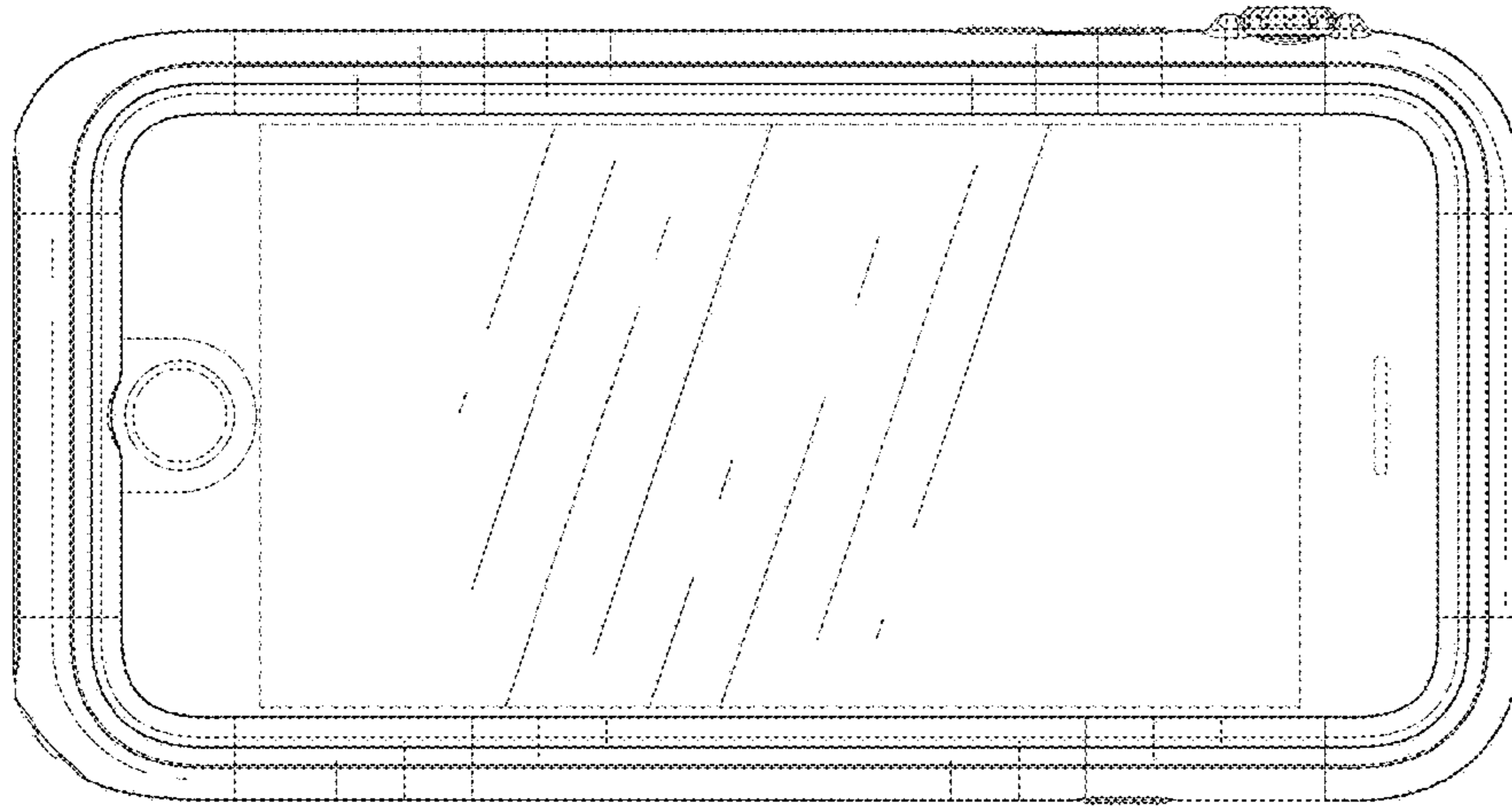


FIG. 5

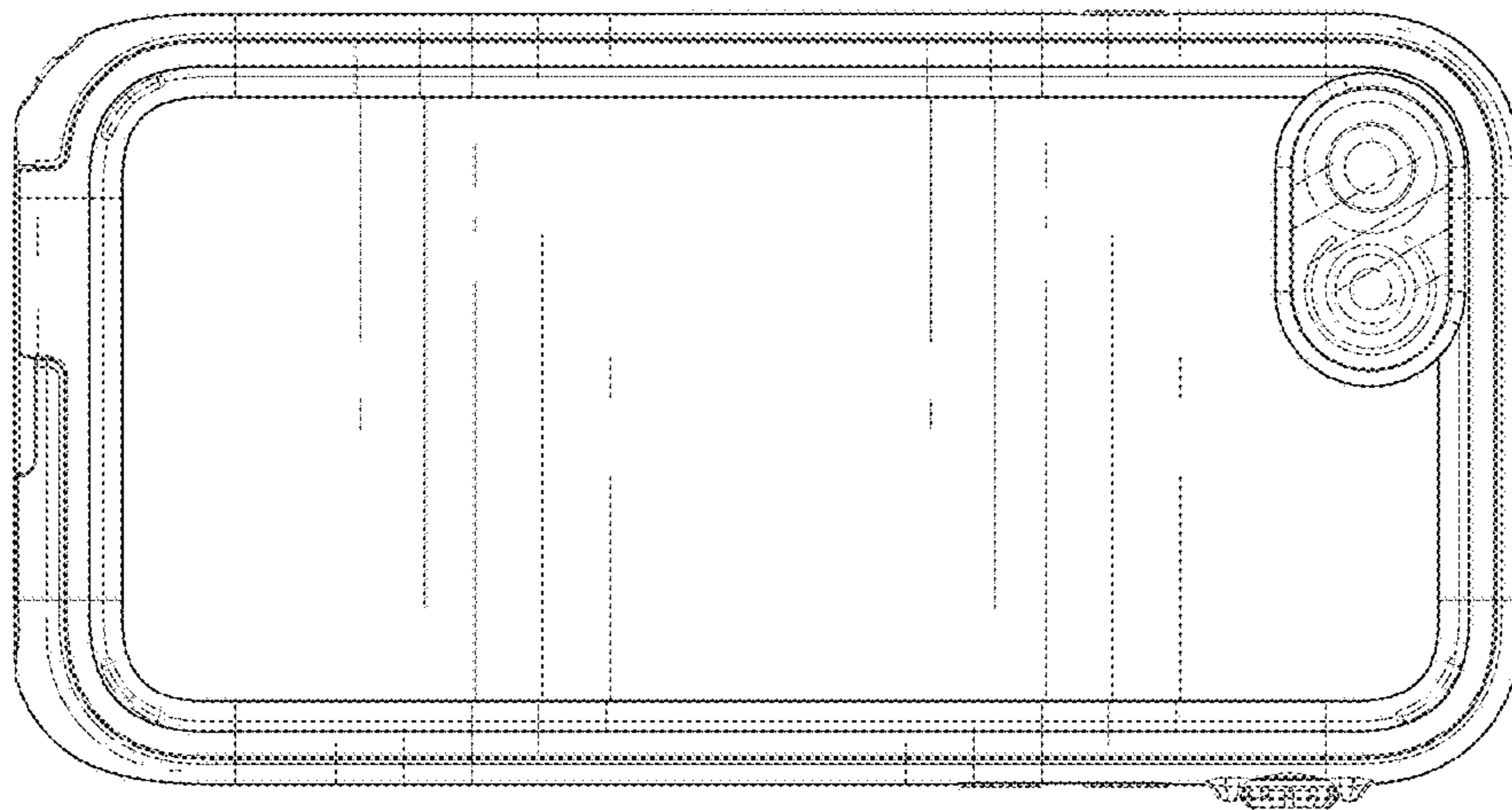


FIG. 6

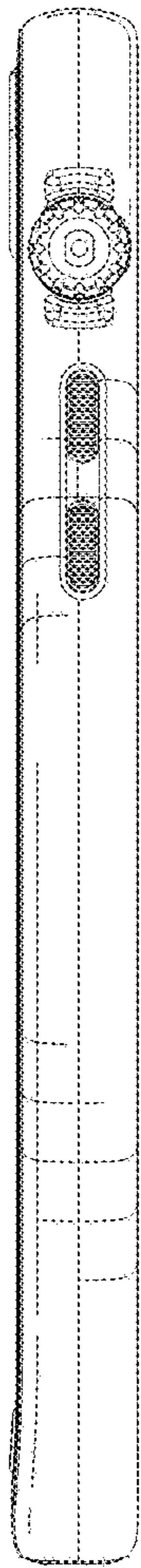


FIG. 7

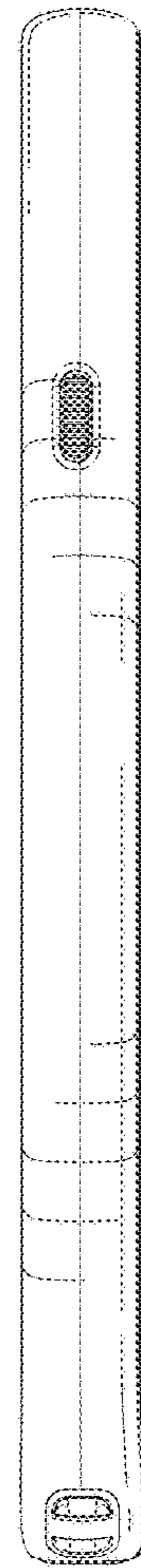


FIG. 8

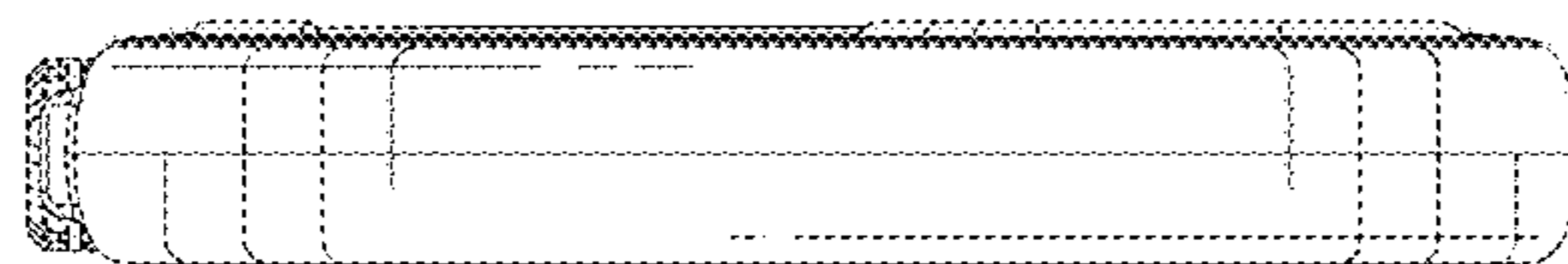


FIG. 9

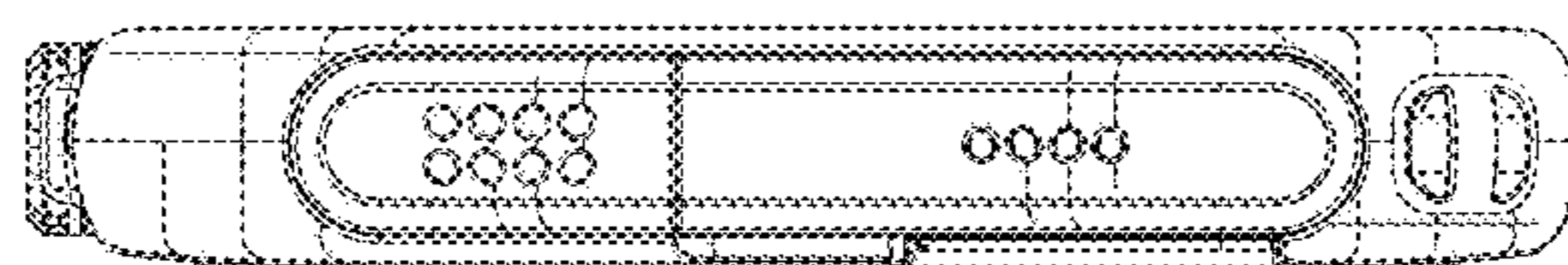


FIG. 10