



US00D798854S

(12) **United States Design Patent** (10) **Patent No.:** **US D798,854 S**
Babichenko (45) **Date of Patent:** **** Oct. 3, 2017**

- (54) **MOBILE PHONE CASE**
- (71) Applicant: **Pavel Babichenko**, Eagle, ID (US)
- (72) Inventor: **Pavel Babichenko**, Eagle, ID (US)
- (**) Term: **15 Years**
- (21) Appl. No.: **29/559,914**
- (22) Filed: **Mar. 31, 2016**

D721,067	S	*	1/2015	Su	D14/250
D724,070	S	*	3/2015	Su	D14/250
8,973,752	B2	*	3/2015	Johnson	H04B 1/3888 206/316.1
D756,340	S	*	5/2016	Babichenko	D14/250
D772,209	S	*	11/2016	Kim	D14/250
D772,211	S	*	11/2016	Poon	D14/250
D775,620	S	*	1/2017	Kim	D14/250
D776,648	S	*	1/2017	Kim	D14/250
D778,273	S	*	2/2017	Kim	D14/250
D786,226	S	*	5/2017	Kim	D14/248
D786,233	S	*	5/2017	Kim	D14/250
D787,498	S	*	5/2017	Chen	D14/250
D788,760	S	*	6/2017	Kim	D14/250
D790,526	S	*	6/2017	Babichenko	D14/250
D791,116	S	*	7/2017	Kim	D14/250

Related U.S. Application Data

- (63) Continuation-in-part of application No. 29/468,928, filed on Oct. 4, 2013, now abandoned.
- (51) **LOC (10) Cl.** **14-01**
- (52) **U.S. Cl.**
USPC **D14/250**
- (58) **Field of Classification Search**
USPC D14/250-253, 440, 203.3-203.7, 217,
D14/496, 248, 238.1, 240, 447; D3/201,
D3/218, 269, 301, 273, 303; D13/103,
D13/107-108
CPC . A45C 2011/002; A45C 11/00; A45C 13/002;
A45C 2011/003; H04M 1/0283; H04M
1/0202

See application file for complete search history.

(56) **References Cited**

U.S. PATENT DOCUMENTS

D676,845	S	*	2/2013	Melanson	D14/250
D677,251	S	*	3/2013	Melanson	D14/250
D681,020	S	*	4/2013	Magness	D14/238.1
D681,613	S	*	5/2013	Magness	D14/238.1
D681,623	S	*	5/2013	Chang	D14/250
D712,386	S	*	9/2014	Lu	D14/250
D714,274	S	*	9/2014	Jung	D14/250
D717,781	S	*	11/2014	Kim	D14/250

* cited by examiner

Primary Examiner — Sandra Snapp
Assistant Examiner — Holly E Thurman
(74) *Attorney, Agent, or Firm* — Law Office of Ilya Libenzon

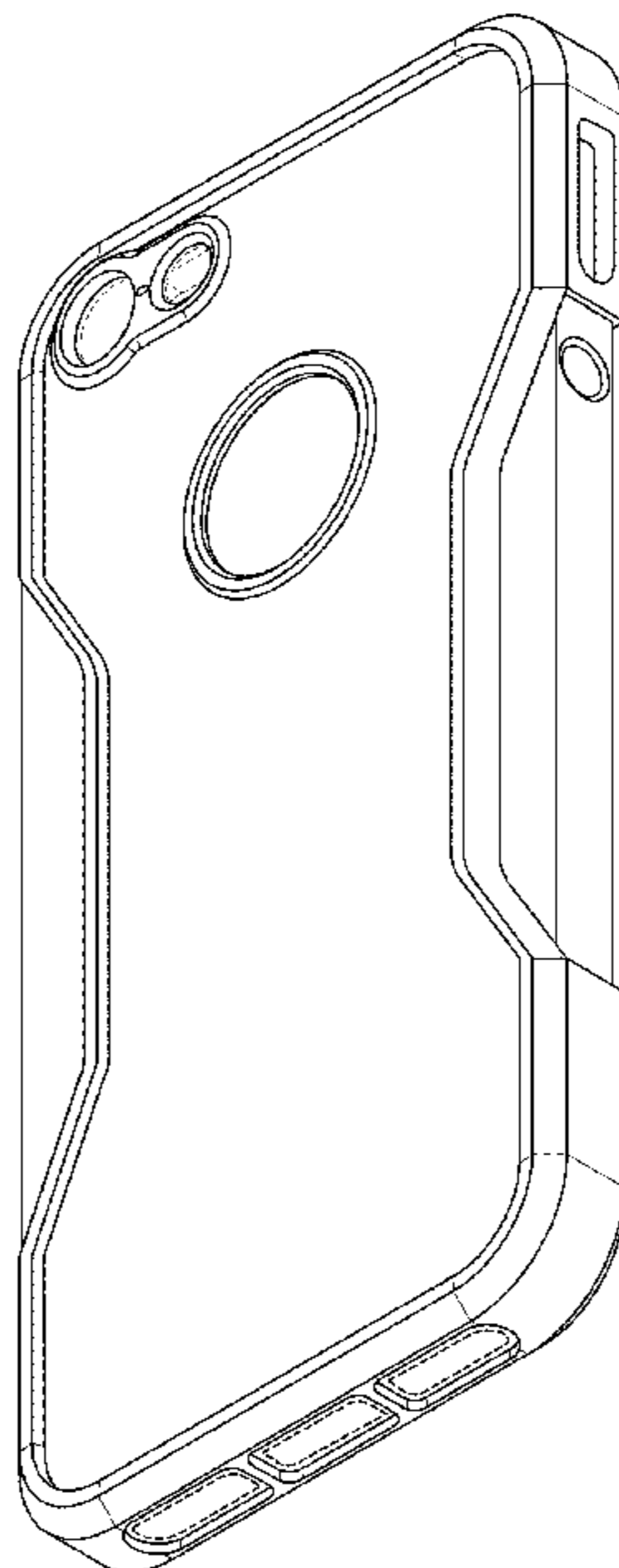
(57) **CLAIM**

What is claimed is the ornamental design for a mobile phone case, as shown and described.

DESCRIPTION

FIG. 1 is a front perspective view of the mobile phone case according to the present invention;
FIG. 2 is a front view thereof;
FIG. 3 is a rear view thereof;
FIG. 4 is a right side view thereof;
FIG. 5 is a left side view thereof;
FIG. 6 is a top view thereof; and,
FIG. 7 is a bottom view thereof.
The broken lines depict unclaimed portions of the mobile phone case and form no part of the claimed design.

1 Claim, 6 Drawing Sheets



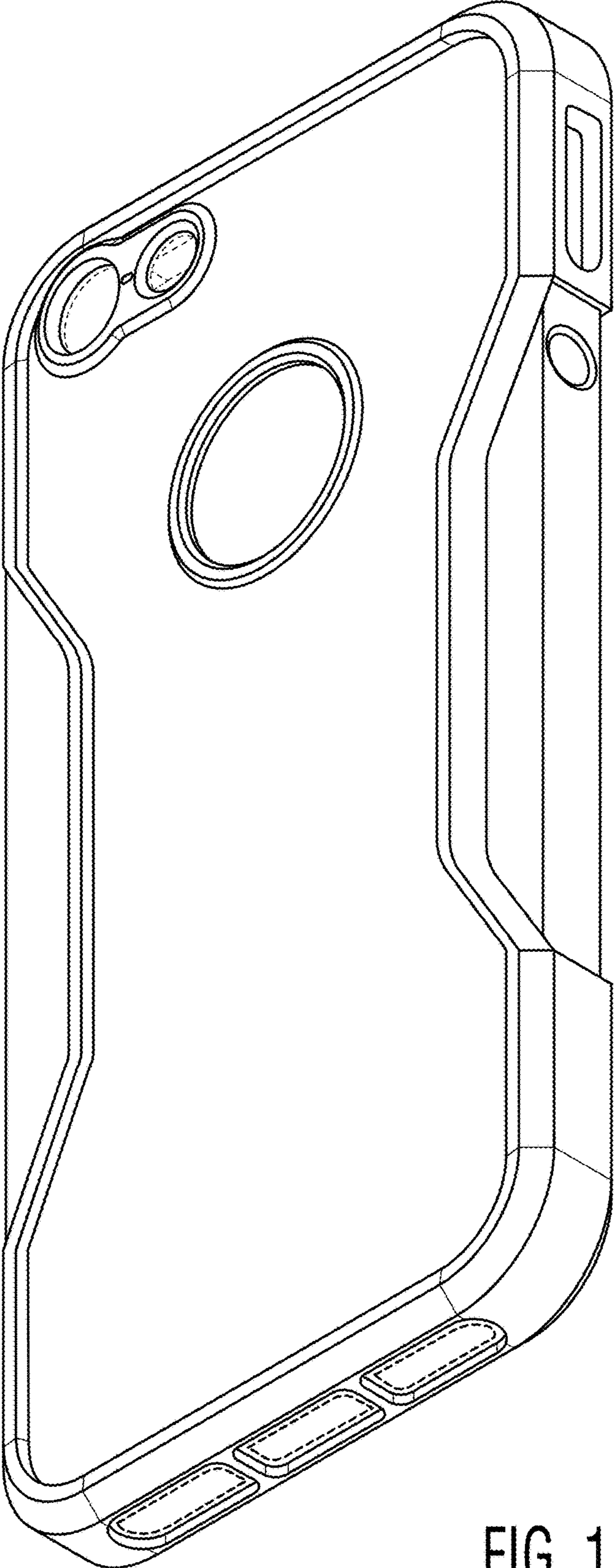


FIG. 1

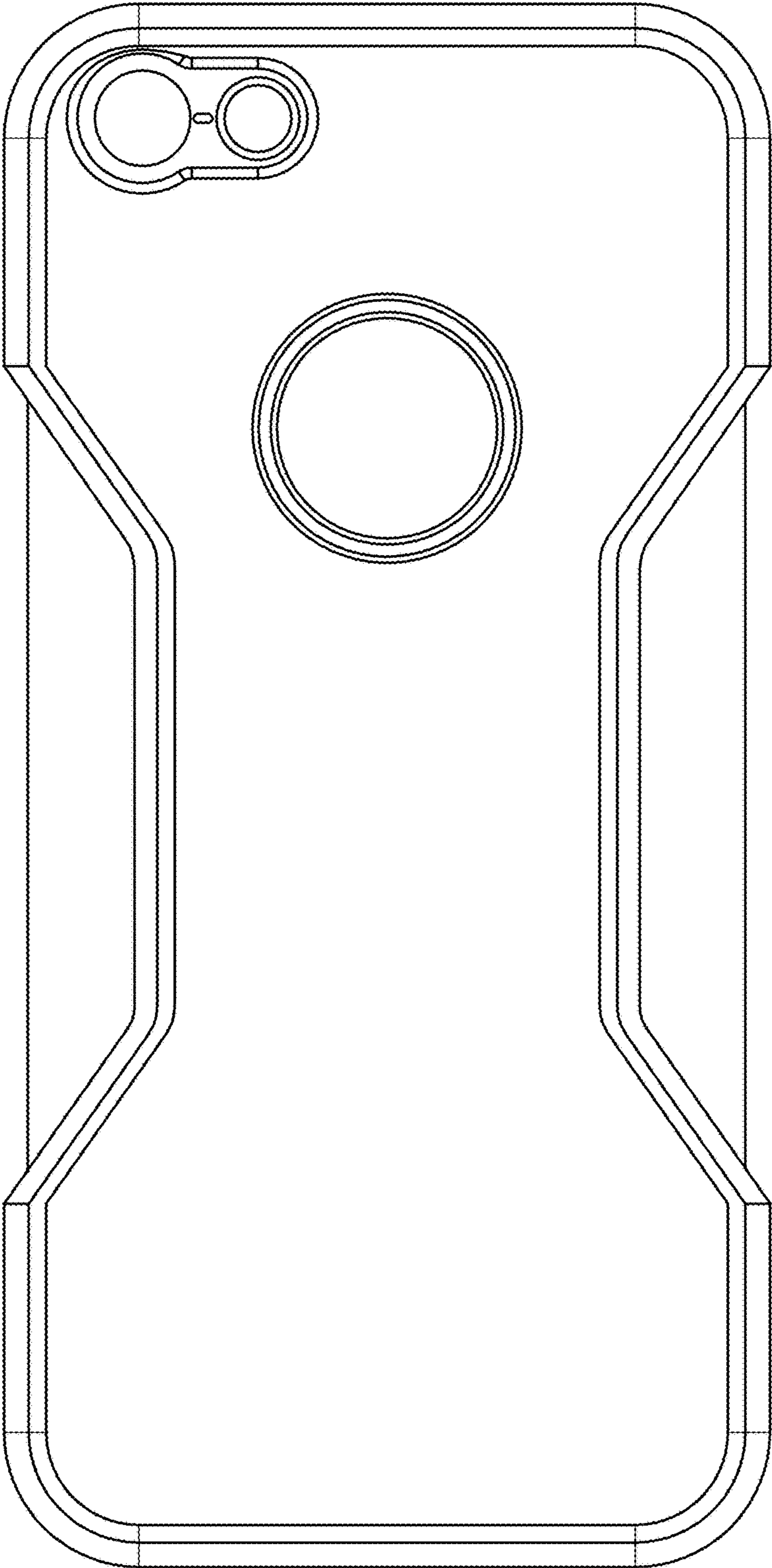


FIG. 2

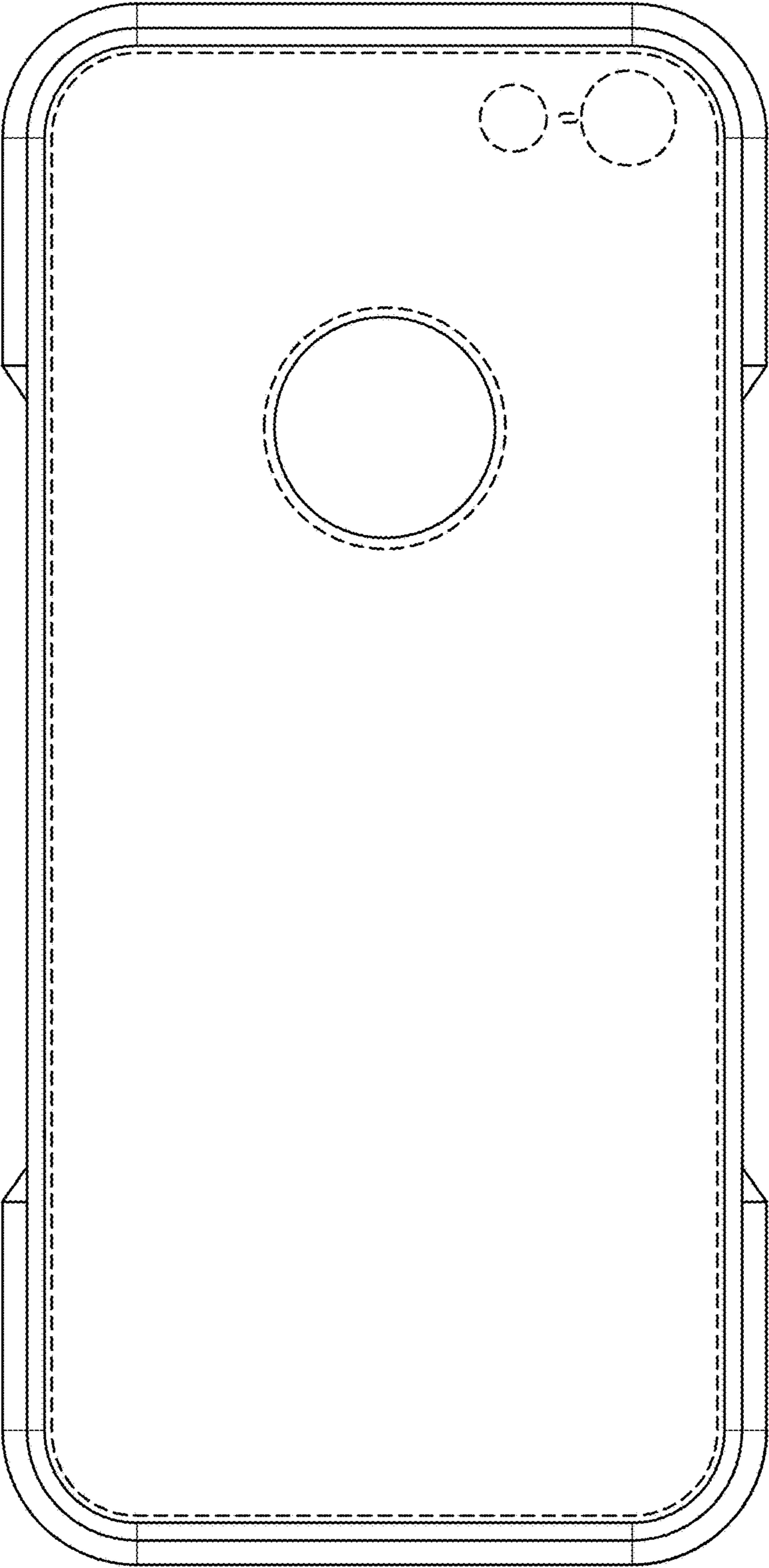


FIG. 3

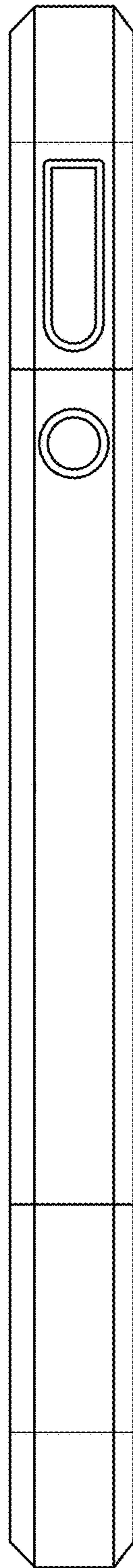


FIG. 4

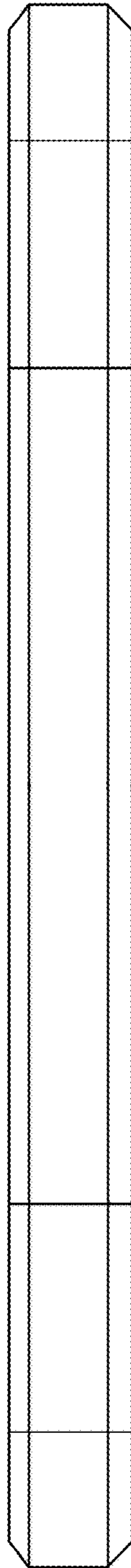


FIG. 5

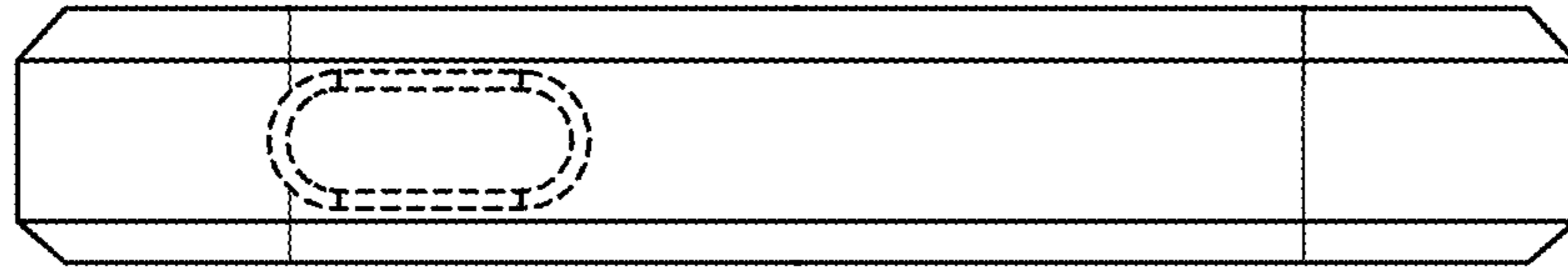


FIG. 6

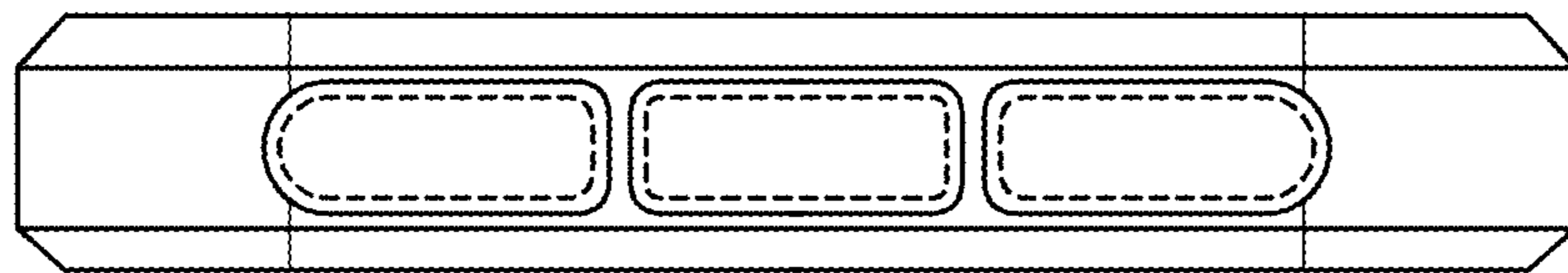


FIG. 7