



US00D798849S

(12) **United States Design Patent** (10) **Patent No.:** **US D798,849 S**
Ookawa et al. (45) **Date of Patent:** **** Oct. 3, 2017**

(54) **TELEPHONE HANDSET** D643,022 S * 8/2011 Hou D14/216
D650,767 S 12/2011 Lu et al.
(71) Applicant: **Panasonic Intellectual Property** D669,449 S 10/2012 Sakamoto
Management Co., Ltd., Osaka (JP) D669,878 S 10/2012 Furuno et al.
(Continued)

(72) Inventors: **Takayuki Ookawa**, Osaka (JP);
Masashi Furuno, Fukuoka (JP);
Philipp Christ, Hamburg (DE);
Jan-Michael Von Lewinski, Hamburg
(DE)

FOREIGN PATENT DOCUMENTS

JP 11164391 A * 6/1999

OTHER PUBLICATIONS

(73) Assignee: **Panasonic Intellectual Property**
Management Co., Ltd., Osaka (JP)

Dan Talson, Royalty Free Stock Images: Speaker Phone, copyright date unknown, Dreamstime, Retrieved Oct. 6, 2016 from URL: <https://www.dreamstime.com/royalty-free-stock-images-speaker-phone-image1823139>.*

(**) Term: **14 Years**

Primary Examiner — Sheryl Lane
Assistant Examiner — Calvin E Vansant
(74) *Attorney, Agent, or Firm* — Panasonic IP Management; Kerry S. Culpepper

(21) Appl. No.: **29/500,268**

(22) Filed: **Aug. 22, 2014**

(51) **LOC (10) Cl.** **14-03**

(52) **U.S. Cl.**
USPC **D14/248**; D14/215

(58) **Field of Classification Search**
USPC D14/138 AA, 138 AB, 138 AD, 138 AC,
D14/138 C, 138 G, 138 R, 248, 250, 253,
D14/440, 215, 216, 219
CPC H04H 1/03; H04B 1/3888
See application file for complete search history.

(57) **CLAIM**

We claim the ornamental design for a telephone handset, as shown and described.

DESCRIPTION

FIG. 1 is a front perspective view of a telephone handset of the present invention;
FIG. 2 is a front view thereof;
FIG. 3 is a rear view thereof;
FIG. 4 is a first side view thereof;
FIG. 5 is a second side view thereof;
FIG. 6 is a top view thereof;
FIG. 7 is a bottom view thereof; and,
FIG. 8 is an enlarged view thereof showing a portion of FIG. 2.

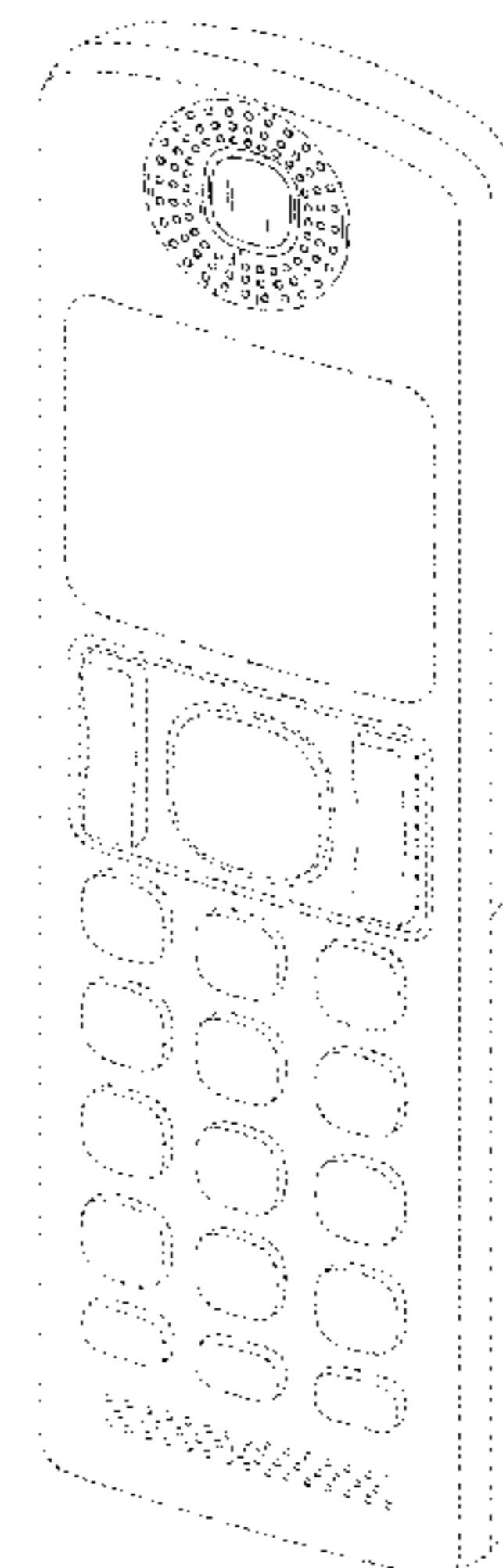
The dotted broken lines depict portions of the telephone handset that form no part of the claim. The dash-dot-dash broken lines define the boundary of the claimed design and form no part of the claim.

1 Claim, 8 Drawing Sheets

(56) **References Cited**

U.S. PATENT DOCUMENTS

D380,759 S * 7/1997 Lin D14/215
D389,142 S * 1/1998 Adams D14/138 AA
D413,132 S 8/1999 Milam
D427,662 S * 7/2000 Coscarelli D23/229
D488,145 S 4/2004 Abdelal
D494,949 S * 8/2004 Arnholt D14/138 AA
D498,221 S 11/2004 Schünemann
D537,072 S * 2/2007 Kim D14/215
D550,205 S * 9/2007 Kaneda D14/216
D563,947 S * 3/2008 Uehara D14/216
D598,419 S * 8/2009 Shi D14/138 AA
D630,706 S * 1/2011 Giggs D23/213
D632,671 S * 2/2011 Wada D14/216



(56)

References Cited

U.S. PATENT DOCUMENTS

D681,781 S	*	5/2013	Cutler	D23/229
D689,036 S		9/2013	Yoshida	
D728,526 S	*	5/2015	Zhang	D14/216
D750,706 S	*	3/2016	Kim	D18/50
D752,202 S	*	3/2016	Berkman	D23/412
D754,109 S	*	4/2016	Kelly	D14/240

* cited by examiner

FIG. 1

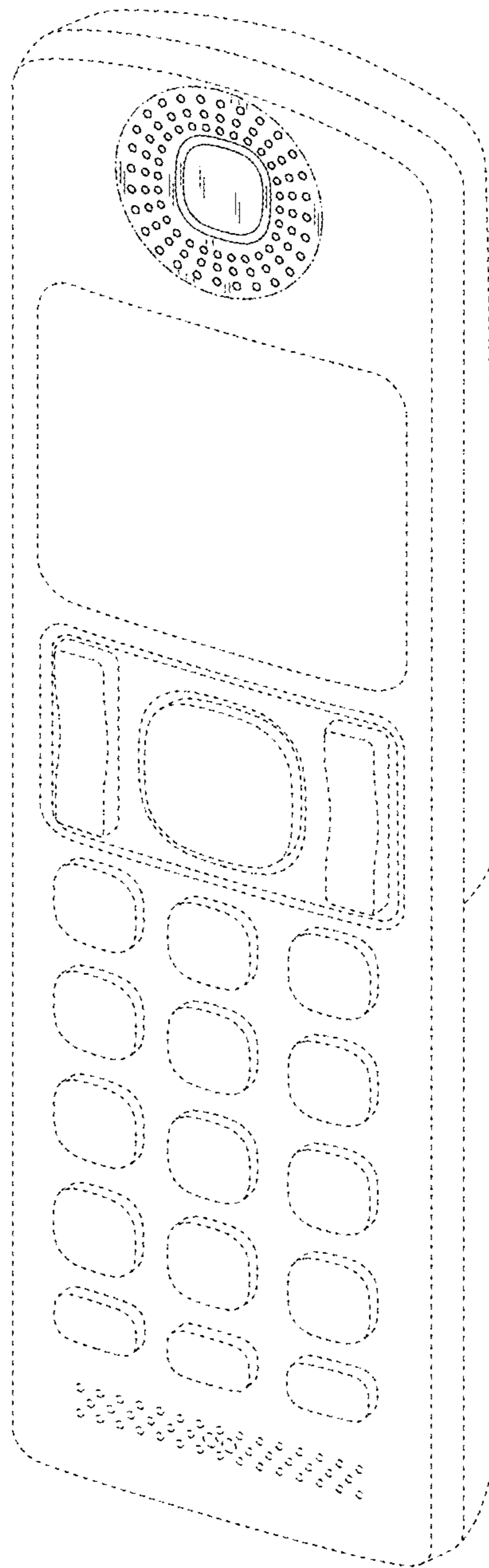


FIG. 2

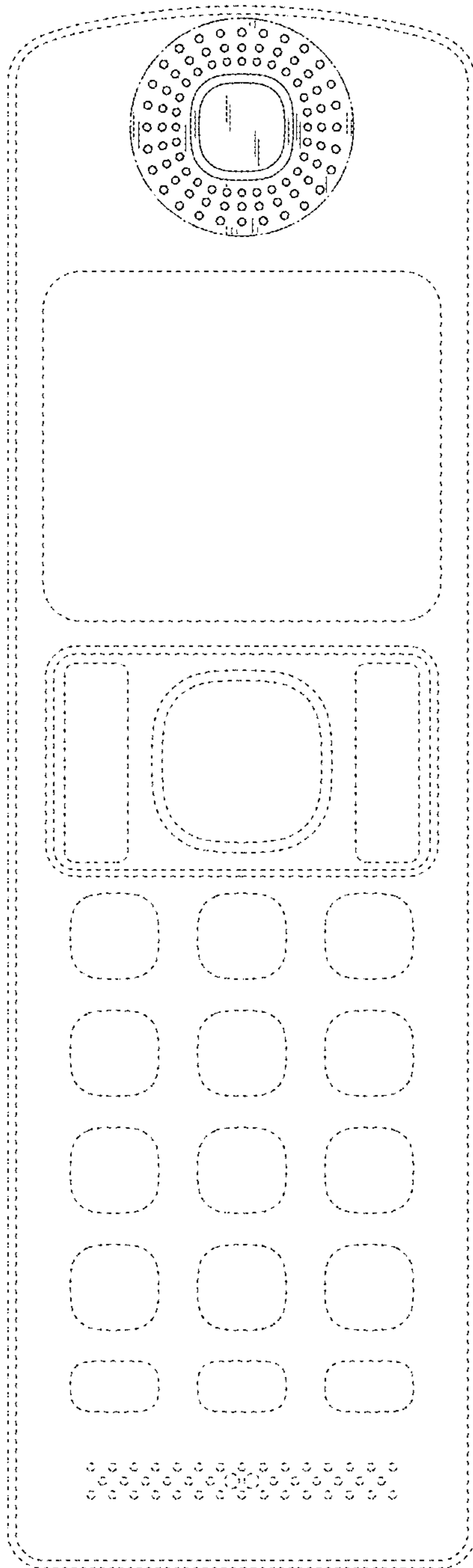


FIG. 3

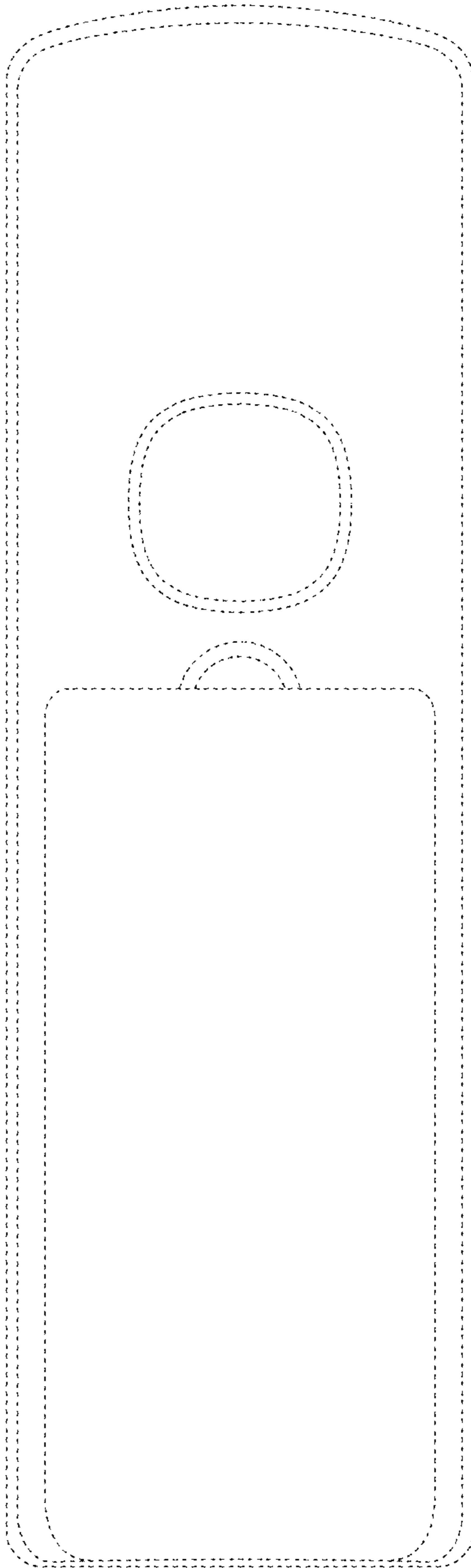


FIG. 4

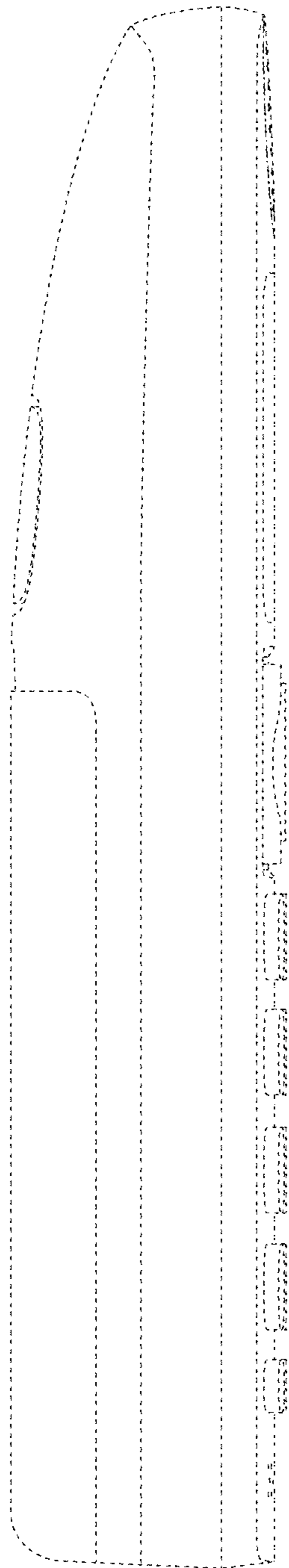


FIG. 5

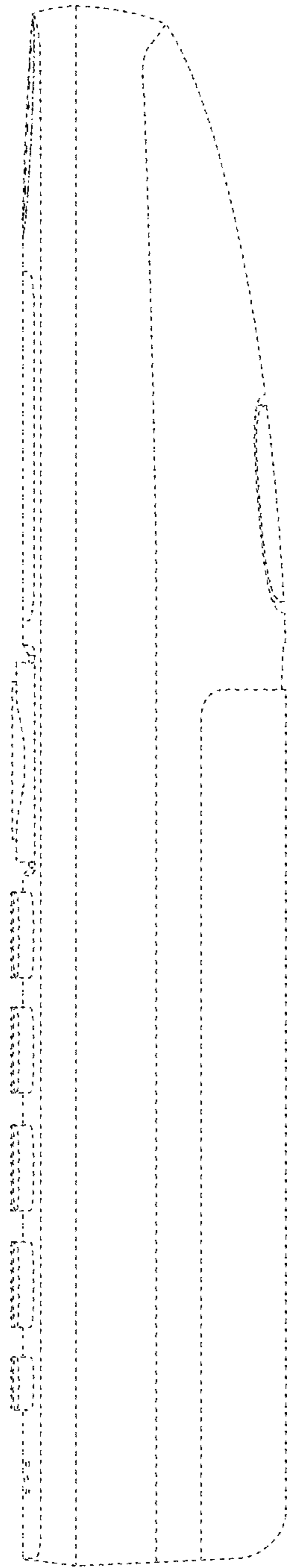


FIG. 6

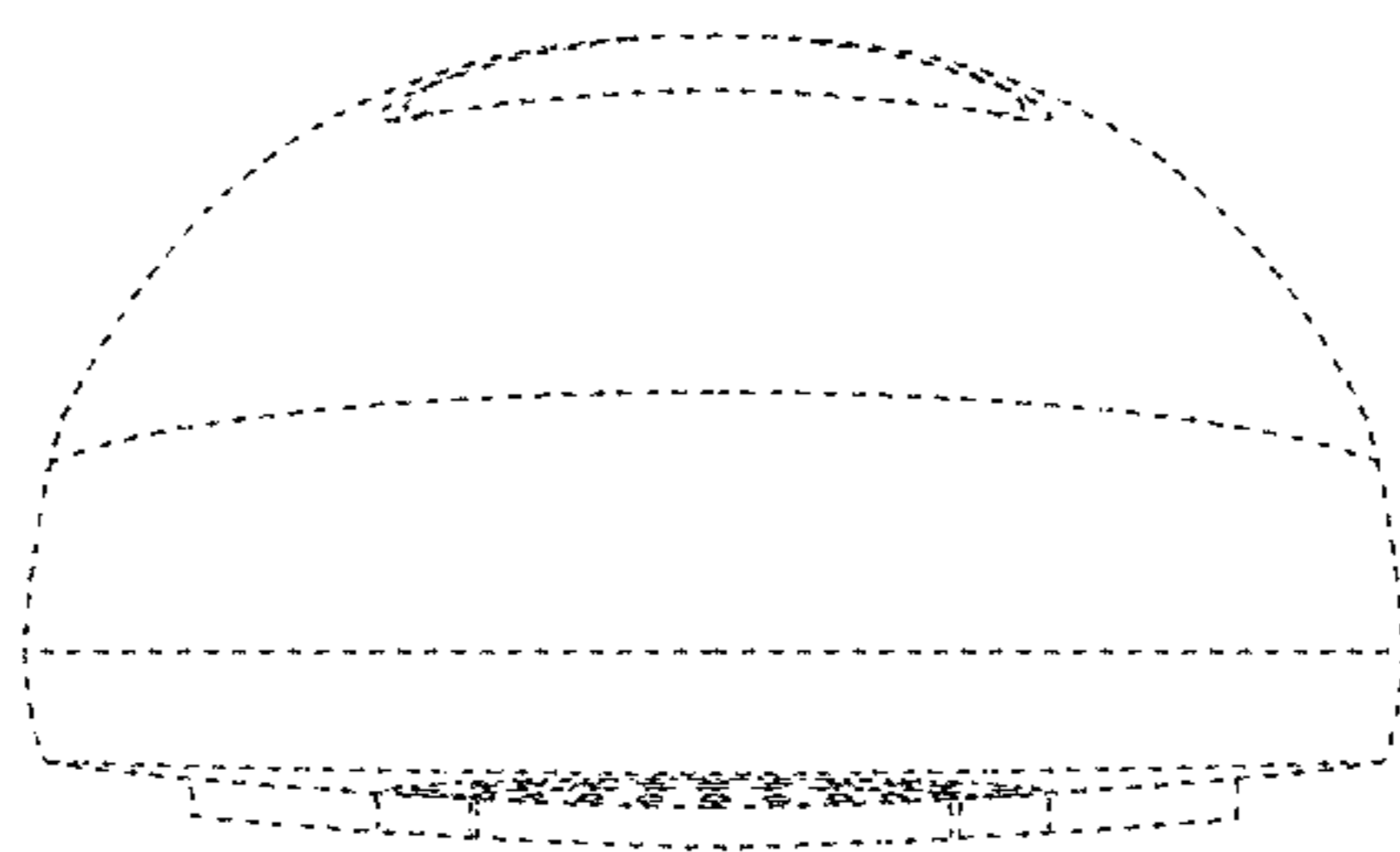


FIG. 7

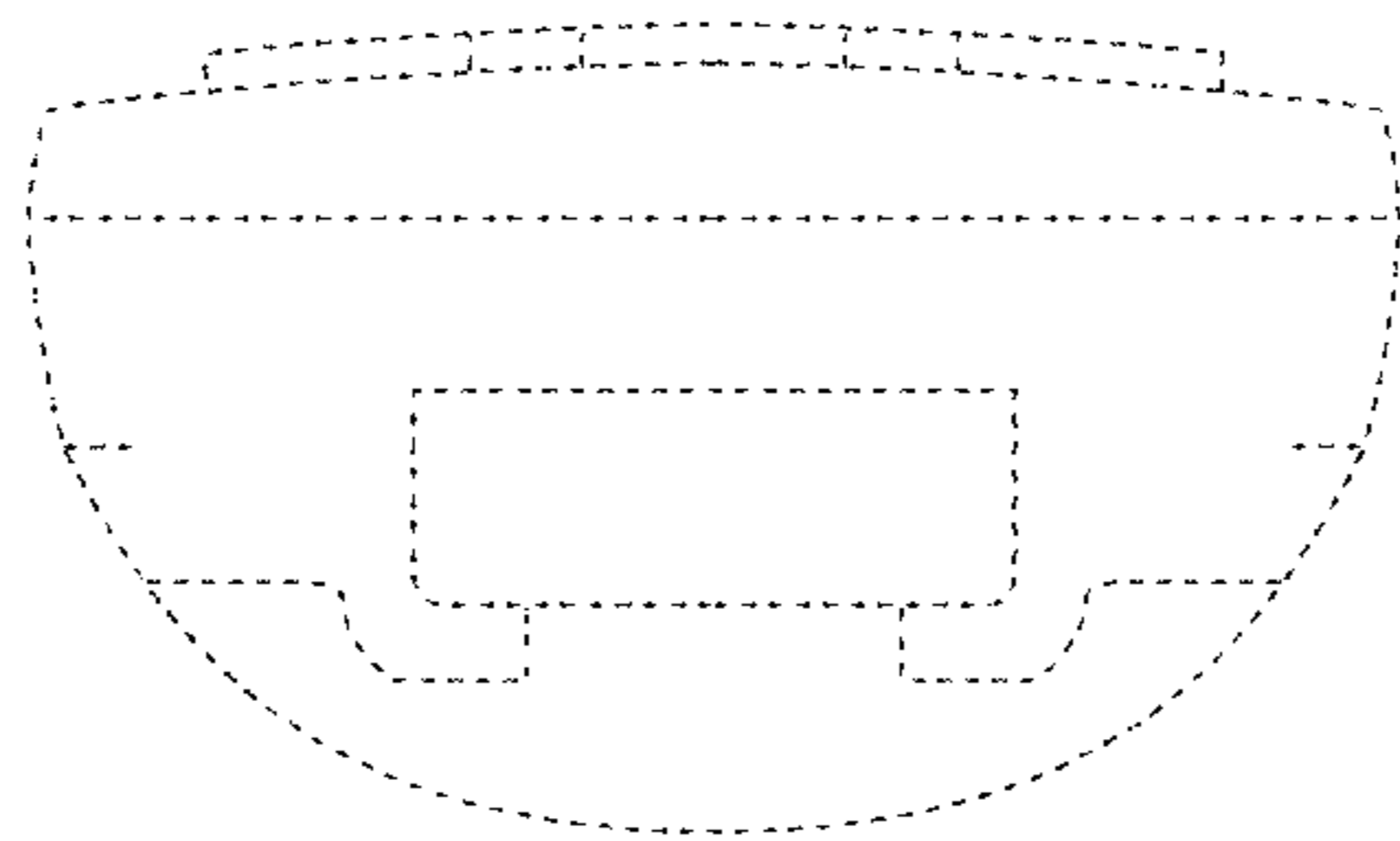


FIG. 8

