

US00D798848S

(12) **United States Design Patent**
Frank

(10) **Patent No.:** **US D798,848 S**

(45) **Date of Patent:** **** Oct. 3, 2017**

(54) **DIGITAL MENU SUPPORT DEVICE**

(71) Applicant: **Alicia S. Frank**, Weston, FL (US)

(72) Inventor: **Alicia S. Frank**, Weston, FL (US)

(**) Term: **15 Years**

(21) Appl. No.: **29/554,249**

(22) Filed: **Feb. 9, 2016**

(51) **LOC (10) Cl.** **14-03**

(52) **U.S. Cl.**
USPC **D14/239**

(58) **Field of Classification Search**
USPC D14/125-134, 239, 371, 136, 374-377,
D14/440, 450, 448, 336, 342, 452;
312/7.2; 348/836, 838, 180, 184, 325,
348/739; 341/12; 248/917-924, 465,
248/309.2; 345/104, 133, 156, 168, 87,
345/173; 720/605, 669, 600, 655;
369/99, 197; 455/344, 347; D21/329,
D21/515, 577, 622, 333, 433, 448, 452,
D21/450, 331; D6/477, 479, 300;
273/148 B; 446/484, 175, 356; D10/15,
D10/26; 361/801, 802, 754, 728; 257/88
CPC H04N 1/00; G09F 9/301
See application file for complete search history.

(56) **References Cited**

U.S. PATENT DOCUMENTS

D368,787 S * 4/1996 Yuen D26/63
5,923,528 A * 7/1999 Lee F16M 11/105
248/291.1
D522,010 S * 5/2006 Piazza D14/452
D537,323 S * 2/2007 Saez D14/452

D655,532 S * 3/2012 Saelid D14/452
D660,843 S * 5/2012 Kaluza D14/452
D679,281 S * 4/2013 Kaluza D14/452
8,453,980 B2 * 6/2013 Sapper F16M 11/10
248/121
9,074,721 B2 * 7/2015 Lau F16M 13/02
D776,095 S * 1/2017 Brown D14/239

* cited by examiner

Primary Examiner — Randall Gholson

(74) *Attorney, Agent, or Firm* — Nancy J Flint, Esq.;
Nancy J. Flint, Attorney at Law, P.A.

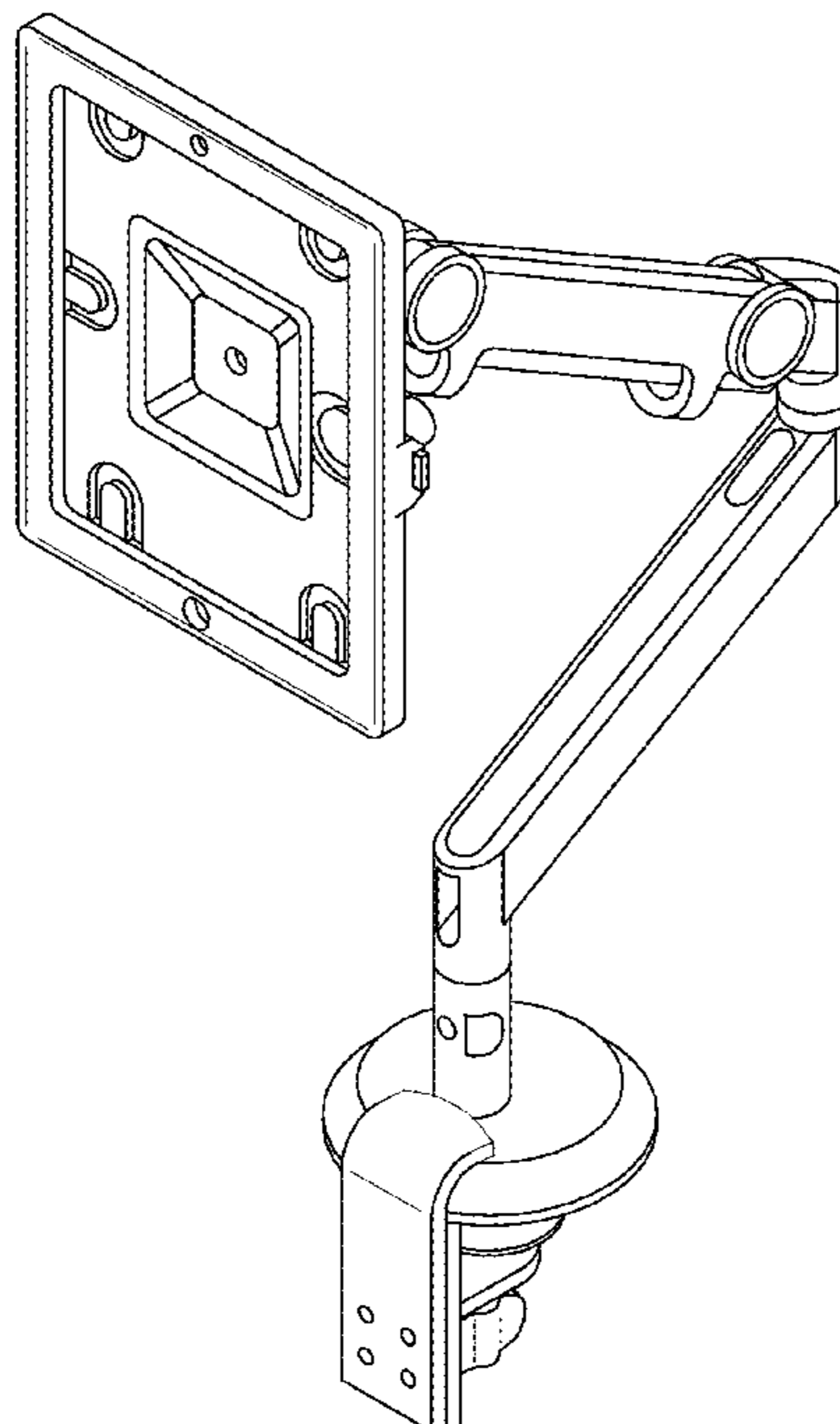
(57) **CLAIM**

The ornamental design for a digital menu support device, as shown and described.

DESCRIPTION

FIG. 1 is a perspective view of a digital menu support device showing my new design;
FIG. 2 is a front view of the digital menu support device;
FIG. 3 is a rear view of the digital menu support device;
FIG. 4 is a left side view of the digital menu support device;
FIG. 5 is a right side view of the digital menu support device;
FIG. 6 is a top view of the digital menu support device;
FIG. 7 is a bottom view of the digital menu support device;
and,
FIG. 8 is a right side view of the digital menu support device as mounted and used.
The broken lines in the drawings illustrate portions of the digital menu support device and environment which form no part of the claimed design.

1 Claim, 6 Drawing Sheets



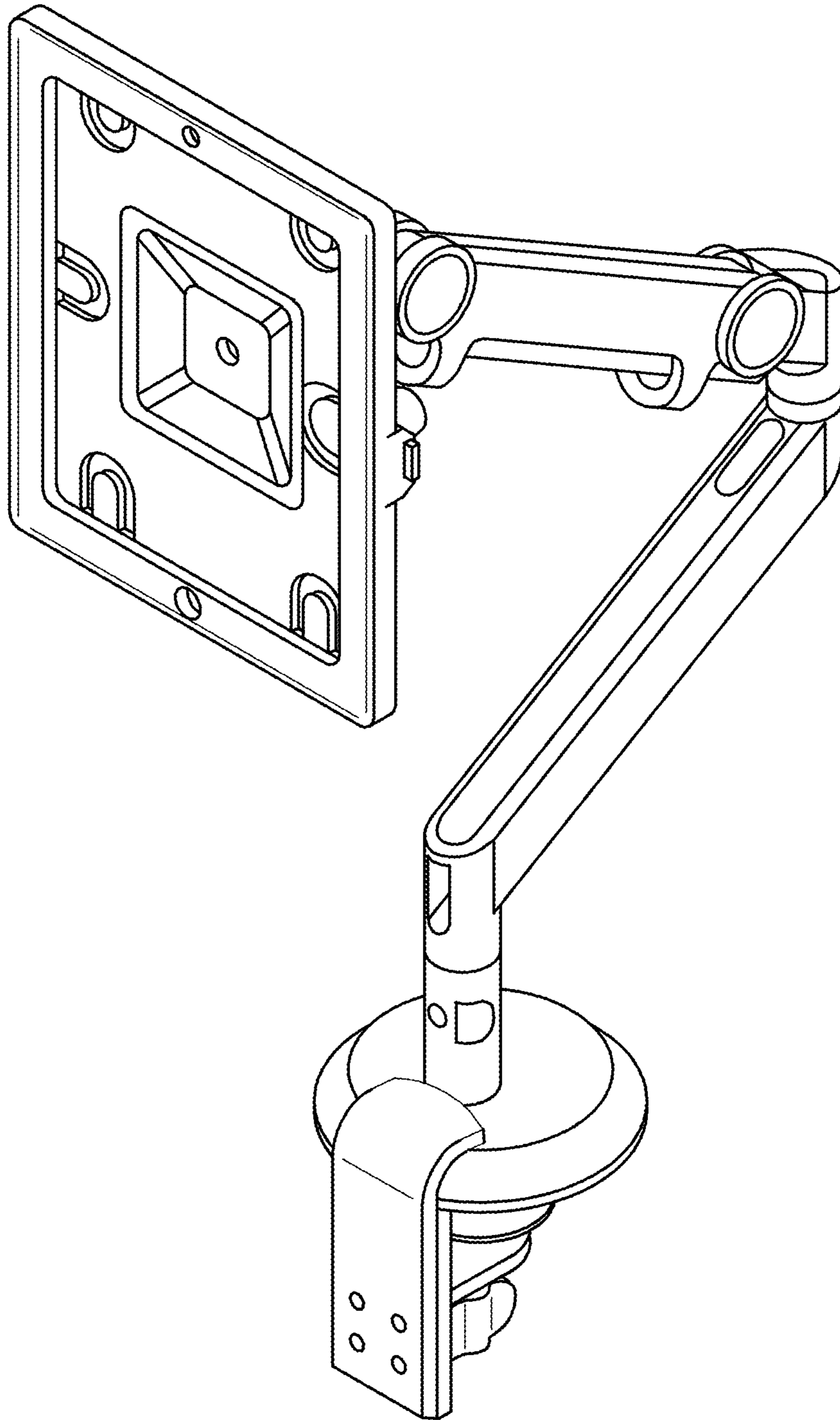


Fig. 1

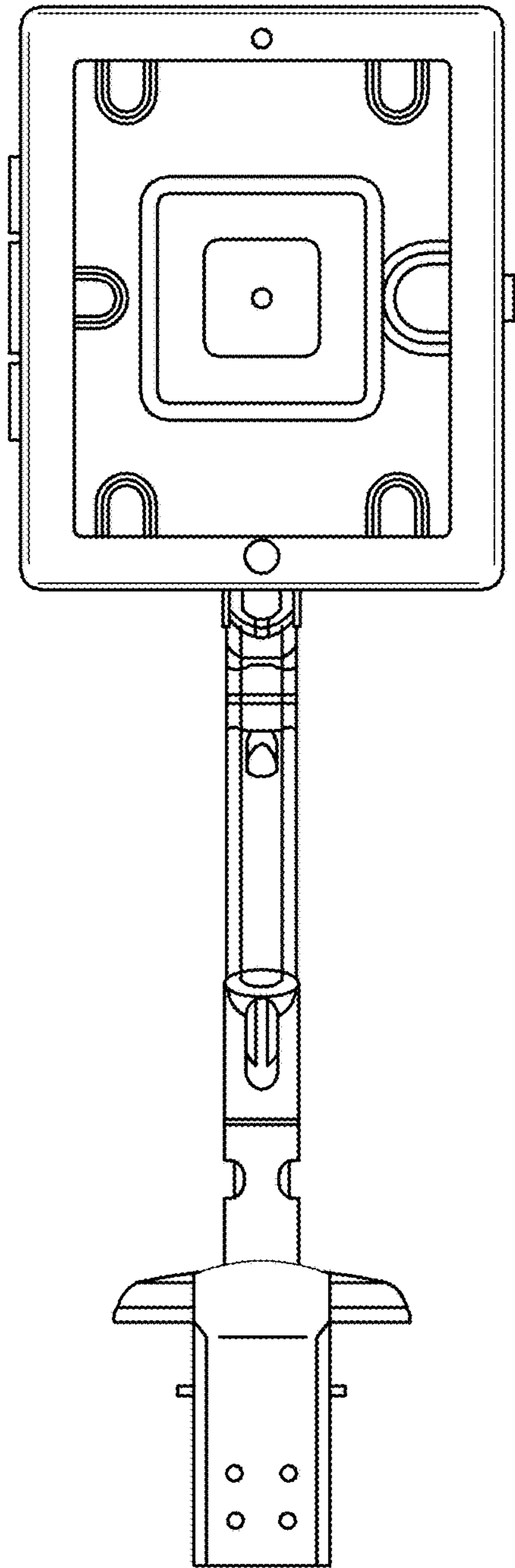


Fig. 2

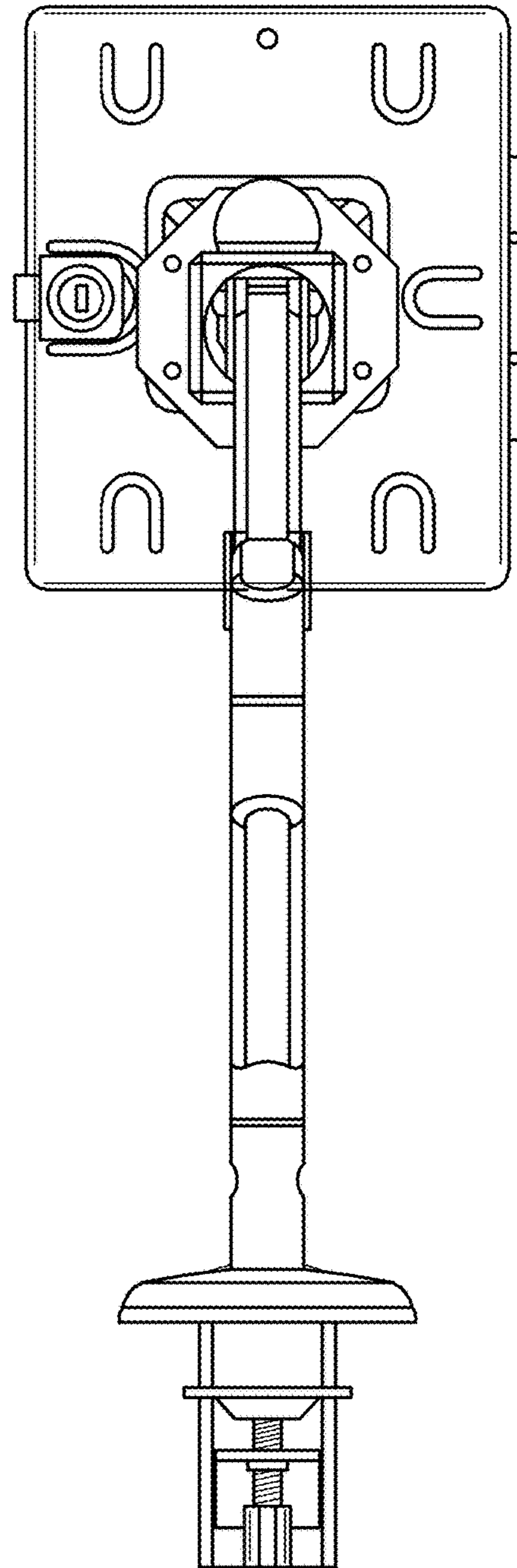


Fig. 3

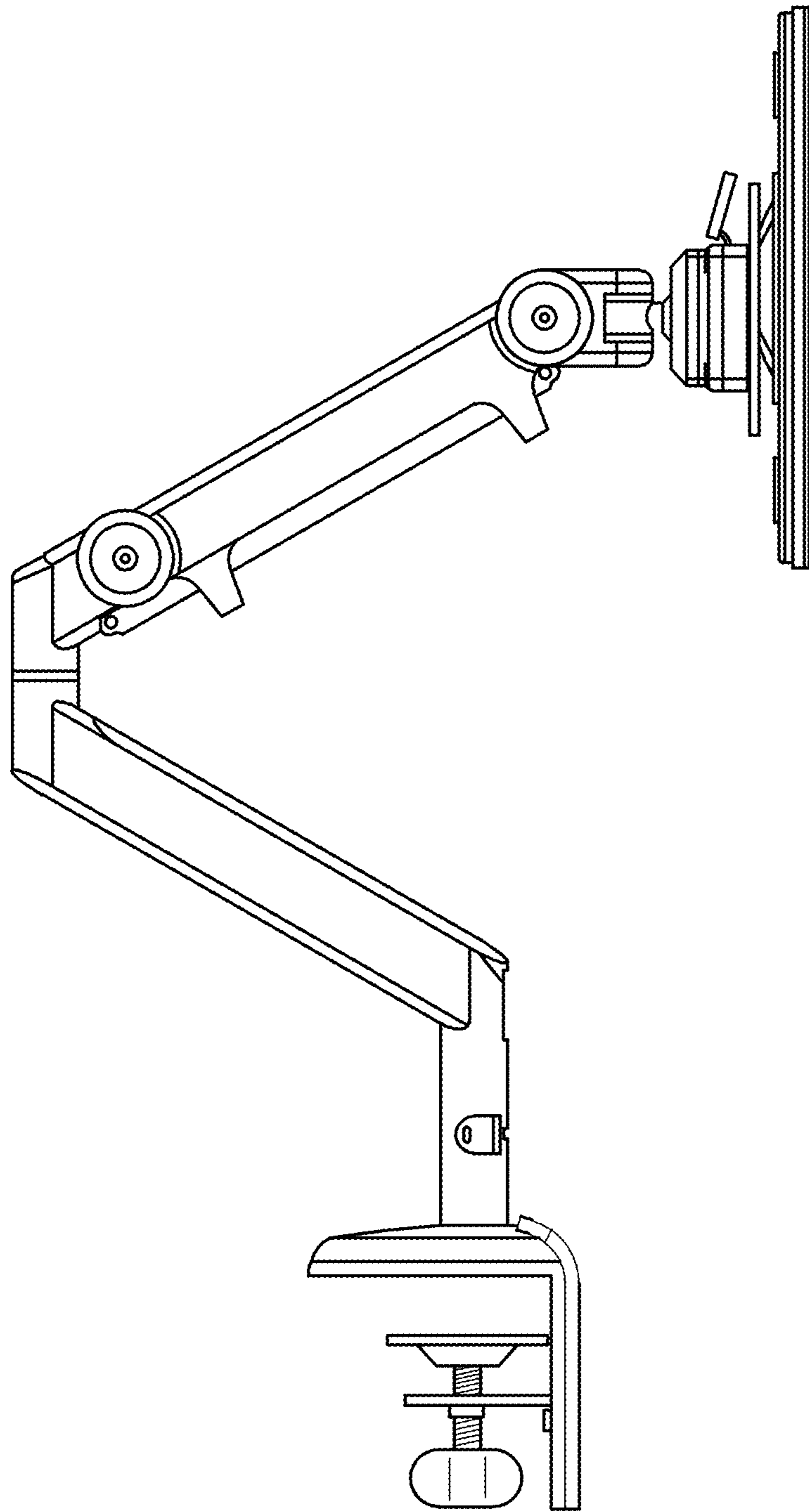


Fig. 4

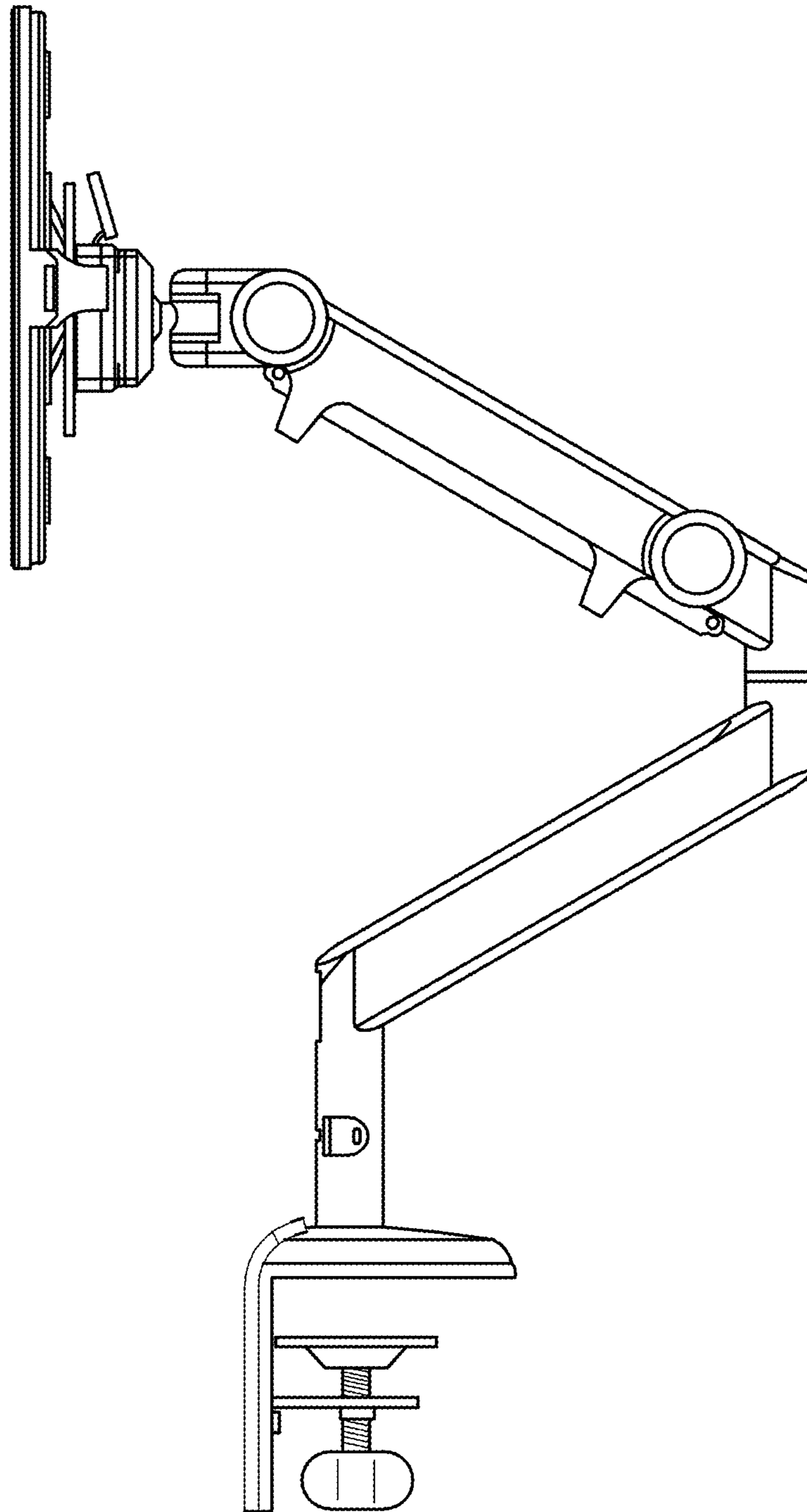


Fig. 5

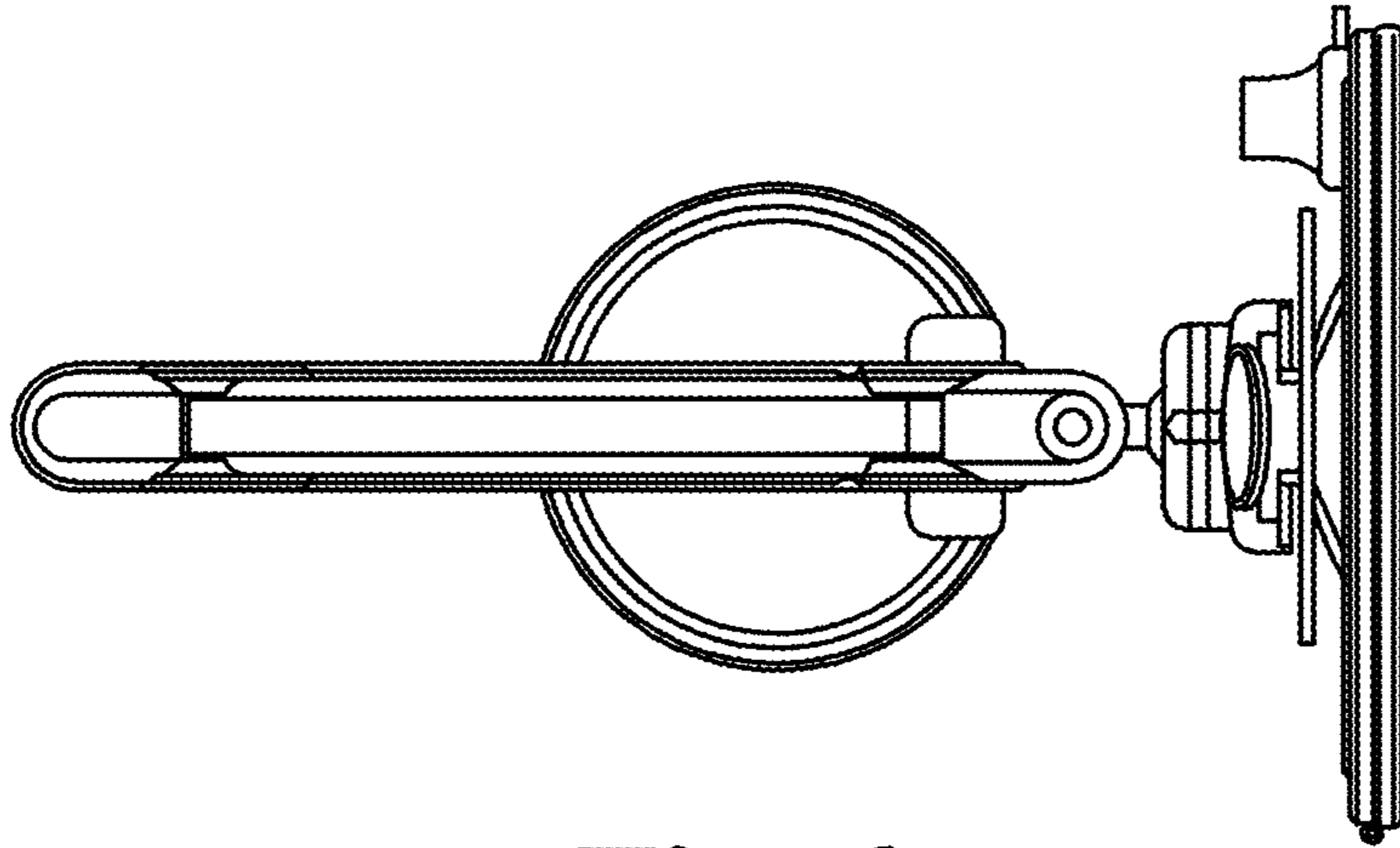


Fig. 6

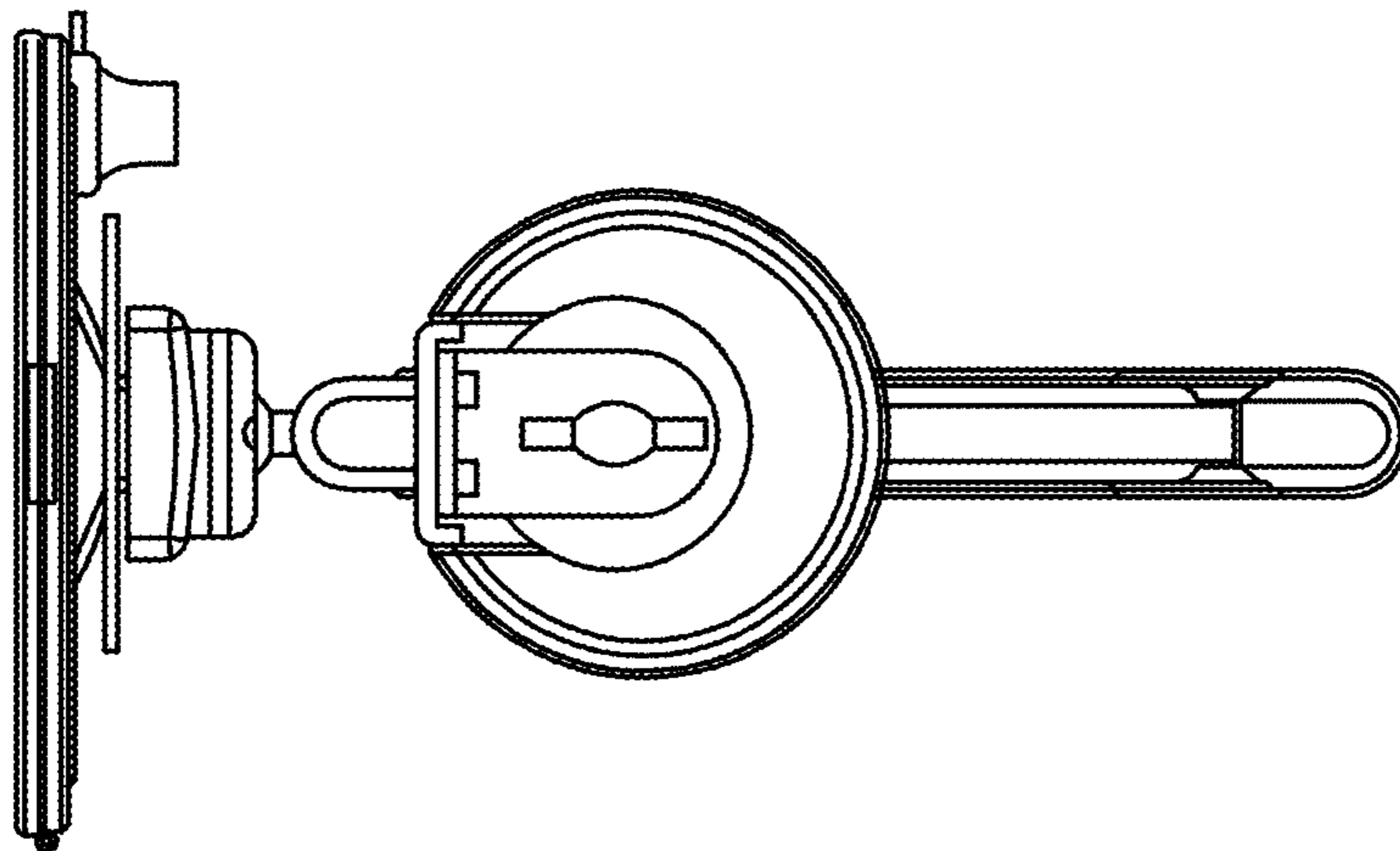


Fig. 7

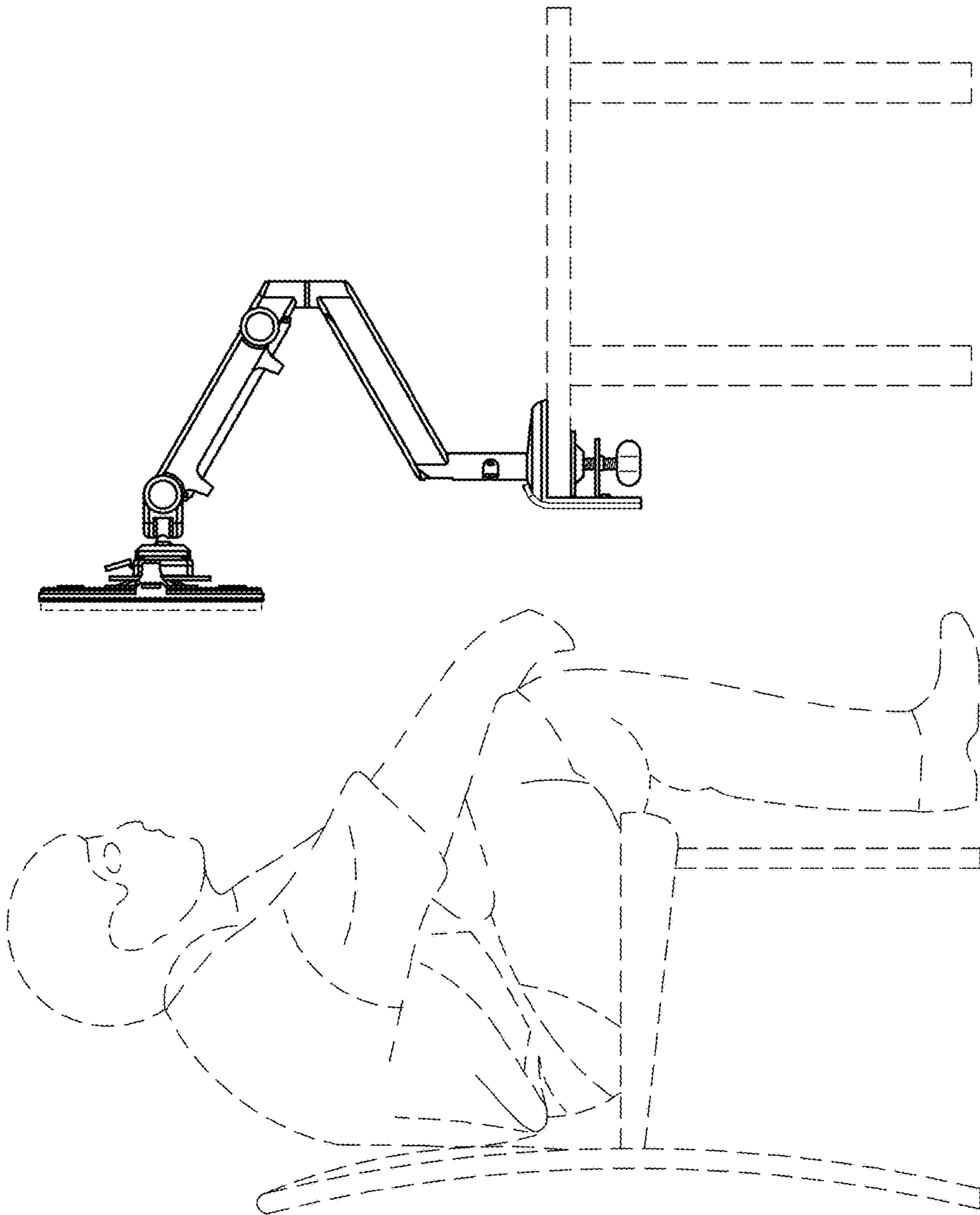


Fig. 8