



US00D798843S

(12) **United States Design Patent** (10) **Patent No.:** **US D798,843 S**  
**Valenzuela et al.** (45) **Date of Patent:** **\*\* \*Oct. 3, 2017**

(54) **IN-EAR UTILITY DEVICE**  
(71) Applicant: **SmartEar, Inc.**, San Francisco, CA (US)

2,619,960 A 12/1952 Reynolds  
2,678,973 A 5/1954 Newman  
2,754,365 A \* 7/1956 Walters ..... H04R 1/225  
181/132

(Continued)

(72) Inventors: **Victor M. Valenzuela**, Hayward, CA (US); **Kinuko Masaki**, San Francisco, CA (US); **Dean L. Gardner**, San Francisco, CA (US)

**FOREIGN PATENT DOCUMENTS**

WO WO2014/138735 A1 9/2014

(73) Assignee: **SmartEar, Inc.**, San Francisco, CA (US)

**OTHER PUBLICATIONS**

International Search Report for PCT/US15/57998, and International Written Opinion for PCT/US15/57988, Apr. 29, 2016, 15 pages.

(Continued)

(\* ) Notice: This patent is subject to a terminal disclaimer.

*Primary Examiner* — Paula Greene  
(74) *Attorney, Agent, or Firm* — Avancept LLC; Thomas L. Ewing

(\*\*) Term: **15 Years**

(21) Appl. No.: **29/551,924**

(57) **CLAIM**

The ornamental design for an in-ear utility device, as shown and described.

(22) Filed: **Jan. 19, 2016**

(51) **LOC (10) Cl.** ..... **14-01**

(52) **U.S. Cl.**  
USPC ..... **D14/223**

**DESCRIPTION**

(58) **Field of Classification Search**  
USPC ..... D14/223, 188, 192, 149, 195; D24/174, D24/165, 166, 167, 168, 186, 187, 151, D24/173, 175, 107; 181/129, 130, 135; 379/430, 431; 381/72, 375, 380, 381, 381/322, 323, 328; 128/902, 903, 904, 128/664; 600/323, 474, 484, 500, 559  
CPC ..... H04R 1/10; H04R 25/00; H04R 1/1016; H04R 1/1066; H04M 1/00; A61B 5/02; A61B 5/00

See application file for complete search history.

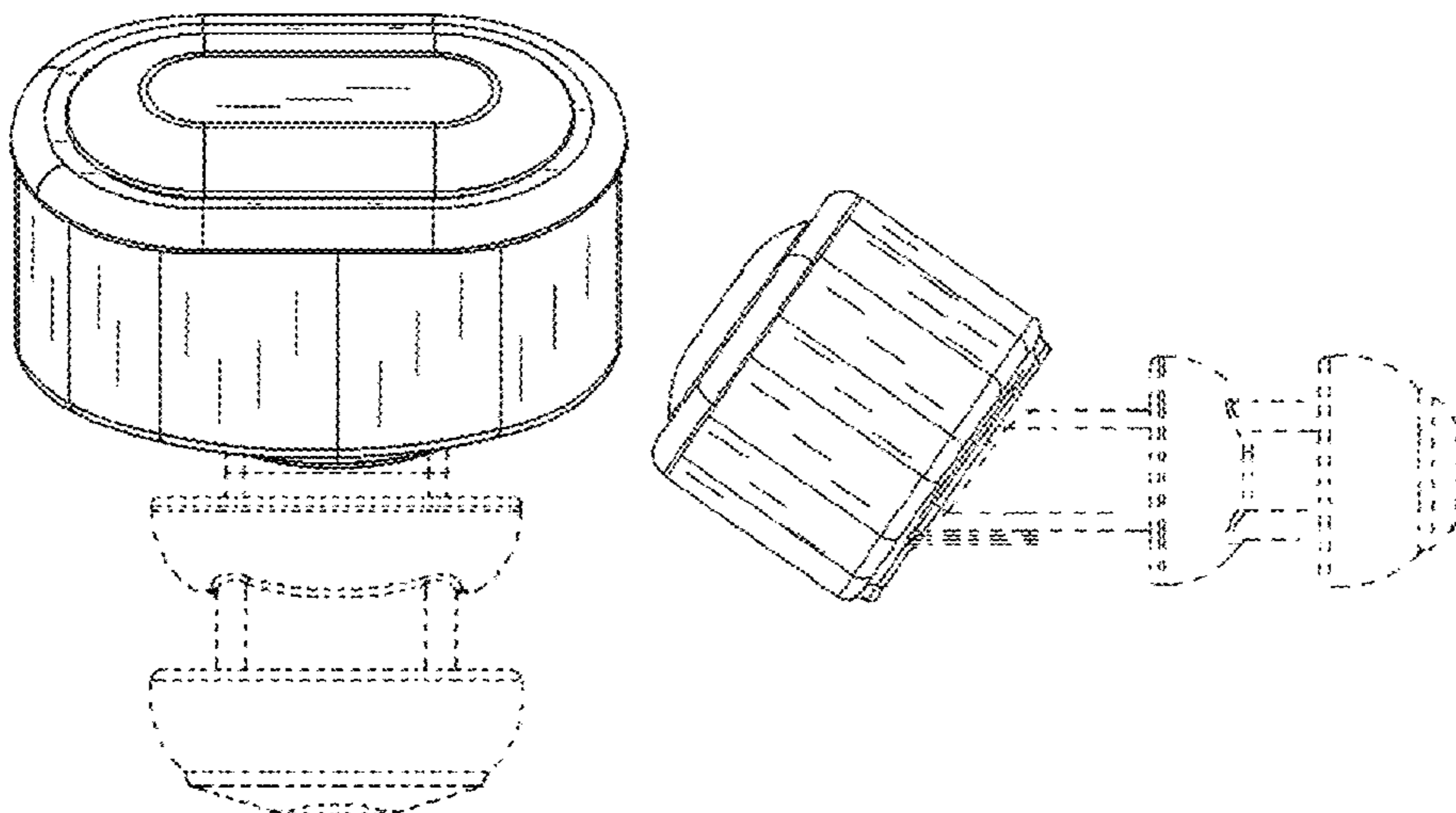
FIG. 1 is a front perspective view of an in-ear utility device showing our new design;  
FIG. 2 is a front side view thereof;  
FIG. 3 is a right side perspective view thereof;  
FIG. 4 is a left side perspective view thereof  
FIG. 5 is a right side view thereof;  
FIG. 6 is a left side view thereof;  
FIG. 7 is a bottom view thereof; and,  
FIG. 8 is a bottom perspective view thereof.  
The broken lines in the Figures show portions of the ear piece which form no part of the claimed design.  
The in-ear utility device can, for example, be a wireless in-ear device for use in providing a variety of services to users, such as music playing, sound amplification, and sports monitoring devices.

(56) **References Cited**

**U.S. PATENT DOCUMENTS**

1,852,130 A \* 4/1932 Schier ..... H04R 25/656  
381/328  
1,893,143 A 1/1933 Henry  
2,248,837 A 7/1941 Walters

**1 Claim, 4 Drawing Sheets**



(56)

References Cited

U.S. PATENT DOCUMENTS

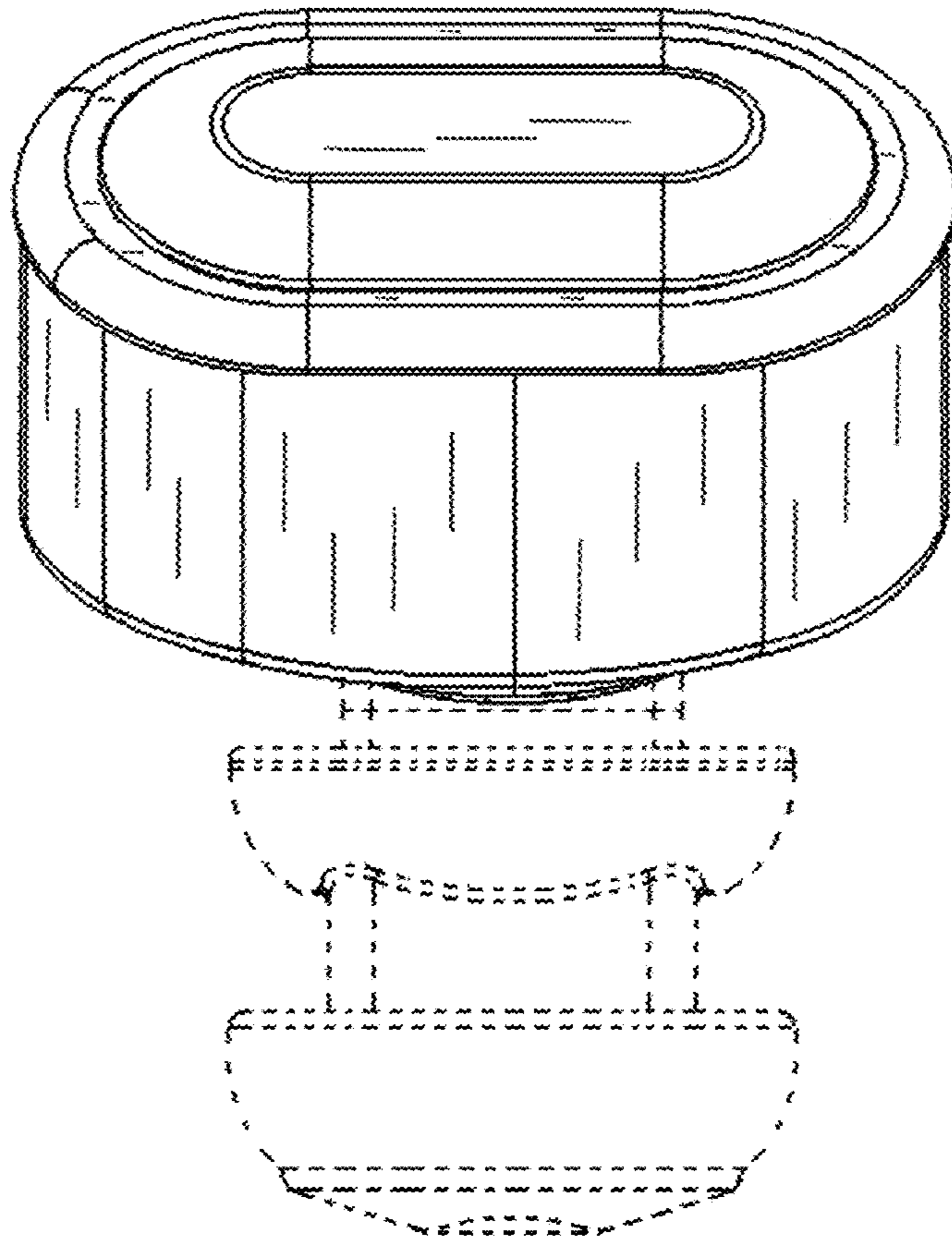
2,971,065 A \* 2/1961 Busse ..... H04R 25/456  
381/104  
2,984,726 A \* 5/1961 Roeser ..... H01H 13/063  
200/296  
3,282,106 A 11/1966 Bowling  
D207,222 S 3/1967 Geib  
D219,983 S 2/1971 Bosch  
3,815,583 A 6/1974 Scheidt  
3,983,336 A 9/1976 Malek  
4,069,400 A 1/1978 Johanson  
4,133,984 A 1/1979 Akiyama  
4,359,708 A 11/1982 Jarosz  
4,539,708 A \* 9/1985 Norris ..... H04B 1/088  
455/100  
4,550,227 A \* 10/1985 Topholm ..... H04R 25/60  
381/322  
D287,280 S 12/1986 Topholm  
D287,764 S \* 1/1987 Topholm ..... D24/174  
D287,765 S \* 1/1987 Topholm ..... D24/174  
D300,528 S \* 4/1989 Drane ..... D13/171  
5,159,936 A 11/1992 Yelderman  
5,167,235 A 12/1992 Seacord  
D335,349 S 5/1993 Lyon  
D374,658 S \* 10/1996 Bever ..... D13/171  
D377,337 S \* 1/1997 Schaeffer ..... D13/171  
5,626,139 A 5/1997 Szeles  
5,812,680 A \* 9/1998 Glendon ..... H04R 25/60  
381/322  
D422,749 S \* 4/2000 Binstock ..... D28/8.1  
D435,580 S \* 12/2000 Grinkus ..... D14/218  
6,358,281 B1 3/2002 Berrang  
D455,405 S \* 4/2002 Bonn ..... D13/158  
D464,630 S \* 10/2002 Woodworth ..... D13/171  
D469,411 S \* 1/2003 Decosse ..... D13/171  
D475,996 S \* 6/2003 Skulley ..... D14/223  
D481,709 S \* 11/2003 Solderits ..... D14/223  
6,648,914 B2 11/2003 Berrang  
D483,281 S \* 12/2003 Cobigo ..... D10/104.1  
D506,989 S \* 7/2005 Seil ..... D14/155  
D519,985 S \* 5/2006 Wikel ..... D14/205  
D526,990 S \* 8/2006 Slevin ..... D14/149  
D529,175 S 9/2006 Franz  
7,120,267 B2 \* 10/2006 Ito ..... H04M 1/05  
381/370  
D532,520 S 11/2006 Kampmeier  
D536,692 S \* 2/2007 Alwicker ..... D14/188  
D537,438 S \* 2/2007 Hermansen ..... D14/223  
D555,146 S \* 11/2007 Sandy ..... D14/167  
D568,290 S \* 5/2008 Wikel ..... D14/205  
D589,152 S 3/2009 Champkins  
D596,295 S 7/2009 Hedstrom  
D601,548 S \* 10/2009 Morisawa ..... D14/223  
D603,380 S \* 11/2009 Hutchieson ..... D14/223  
D609,000 S \* 2/2010 Portney ..... D3/203.2  
D628,565 S \* 12/2010 Wu ..... D14/223  
D632,677 S \* 2/2011 Brown ..... D14/223  
D635,676 S 4/2011 Voix  
D643,833 S \* 8/2011 Lee ..... D14/223  
D655,277 S \* 3/2012 Wai ..... D14/223  
D666,581 S 9/2012 Perez  
8,275,166 B2 9/2012 Wu  
D670,391 S \* 11/2012 Goodman ..... D24/174  
D673,497 S 1/2013 Rosenzweig  
D674,904 S 1/2013 Aunio  
D678,849 S \* 3/2013 McCullar ..... D13/168  
8,389,862 B2 3/2013 Arora  
D682,430 S 5/2013 Kasic  
D693,796 S \* 11/2013 Birger ..... D14/223  
D698,026 S 1/2014 Kuwata

8,634,918 B2 1/2014 Chambers  
D705,751 S \* 5/2014 Wenger ..... D14/206  
D705,760 S \* 5/2014 Drambarean ..... H04R 25/00  
D14/223  
8,798,298 B1 8/2014 Burns  
8,855,345 B2 10/2014 Shennib  
D717,443 S 11/2014 Hughes  
D719,139 S \* 12/2014 Henry ..... D14/223  
D725,082 S \* 3/2015 Palmborg ..... D14/223  
8,983,108 B2 3/2015 Ho  
D726,165 S 4/2015 Kawaji  
D726,567 S 4/2015 De Jong  
D733,102 S \* 6/2015 Palmborg ..... D14/223  
9,078,070 B2 7/2015 Samuels  
D739,851 S \* 9/2015 Donohue, II ..... D14/223  
D744,110 S 11/2015 Kubo  
D746,792 S \* 1/2016 Kim ..... D14/205  
9,456,285 B2 9/2016 Bymaster  
D770,426 S 11/2016 LaBerge  
D773,437 S 12/2016 Lee  
D776,281 S 1/2017 Fyrlund  
D777,710 S \* 1/2017 Palmborg ..... D14/223  
9,571,913 B2 2/2017 Masaki  
D781,269 S 3/2017 Choe  
2002/0181336 A1 12/2002 Shields  
2003/0027606 A1 \* 2/2003 Tsai ..... H04M 1/05  
455/575.2  
2004/0224717 A1 \* 11/2004 Hertzberg ..... H04M 1/22  
455/550.1  
2004/0243204 A1 12/2004 Maghribi  
2006/0045304 A1 3/2006 Lee  
2006/0098833 A1 5/2006 Juneau  
2007/0154030 A1 7/2007 Moses  
2007/0154049 A1 7/2007 Levitsky  
2008/0063231 A1 3/2008 Juneau  
2009/0143096 A1 6/2009 Chang  
2010/0002402 A1 1/2010 Rogers  
2011/0002498 A1 1/2011 Wong  
2011/0224493 A1 9/2011 Oyadiran  
2012/0114160 A1 \* 5/2012 Lin ..... H04R 1/1091  
381/380  
2012/0300965 A1 11/2012 Samuels  
2013/0142363 A1 6/2013 Amento  
2013/0339025 A1 12/2013 Suhami  
2014/0112520 A1 4/2014 Knudsen  
2014/0169599 A1 6/2014 Solum  
2014/0172042 A1 6/2014 Goorevich  
2014/0301561 A1 10/2014 Silberman  
2014/0303452 A1 10/2014 Ghaffari  
2015/0183167 A1 7/2015 Molinari  
2015/0230022 A1 8/2015 Sakai  
2015/0261298 A1 9/2015 Li  
2016/0049074 A1 2/2016 Shennib  
2016/0057550 A1 2/2016 Shennib  
2016/0162256 A1 6/2016 Komaromi  
2016/0192050 A1 6/2016 Masaki  
2016/0206000 A1 7/2016 Lord

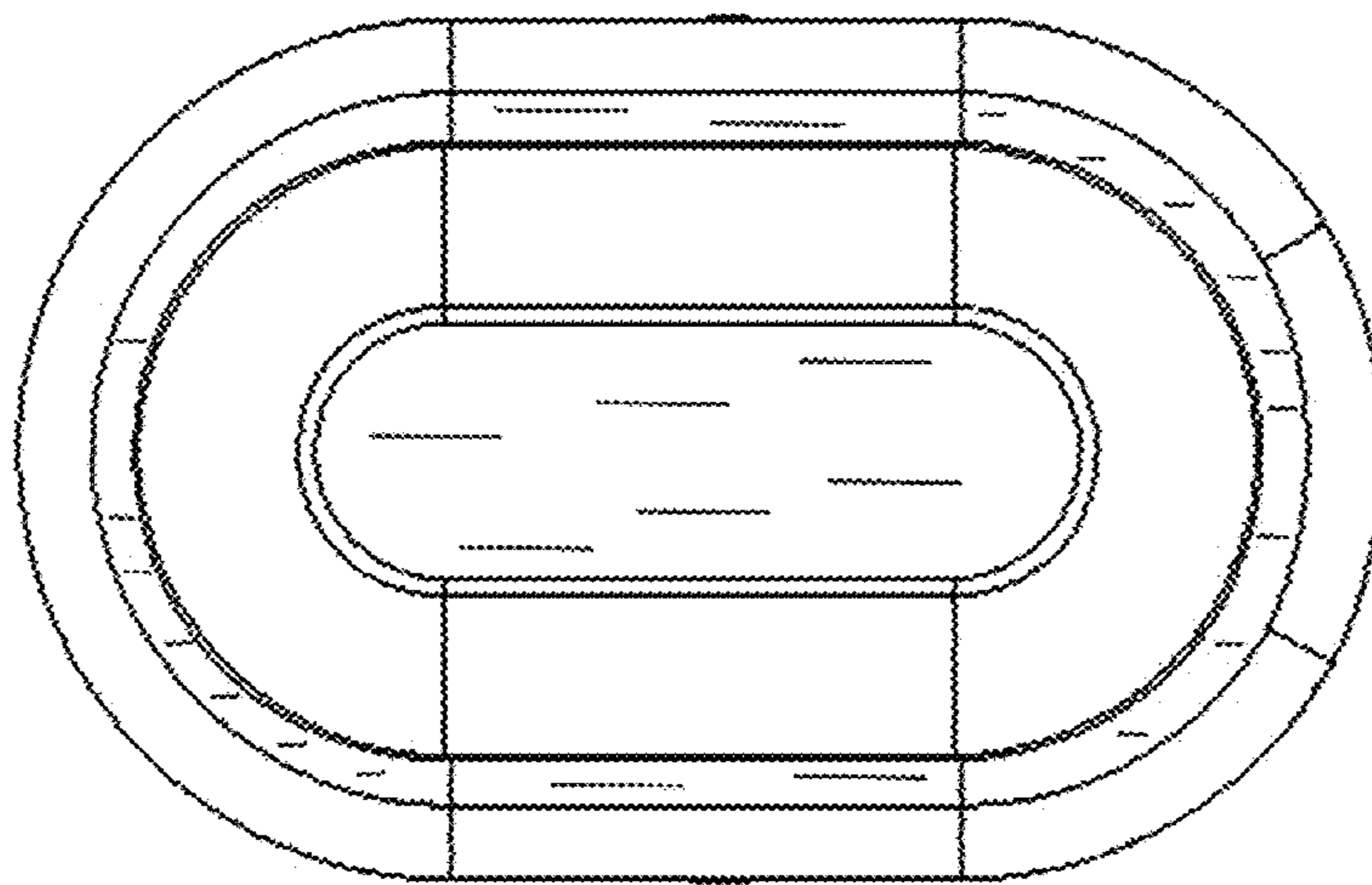
OTHER PUBLICATIONS

“Wireless Headphones | Koss Striva Tap Wi-Fi Earbuds” by Mila Pantovich Jun. 8, 2012, JustLuxe, pp. 1-3, <http://www.justluxe.com/lifestyle/electronics/feature-1780526.php> (retrieved Apr. 16, 2017).  
“Here Active Listening earbuds: Augmented reality for your ears (hands-on)” by Will Shanklin, Jan. 13, 2016, pp. 1-4, <http://newatlas.com/doppler-labs-here-earbuds-hands-on/41322/> (retrieved Apr. 16, 2017).  
Nap Zapper Anti-Sleep Alarm, Amazon, pp. 1-6, <https://www.amazon.com/Generic-Nap-Zapper-Anti-Sleep-Alarm/dp/B000BK4KW8> (retrieved Apr. 16, 2017).

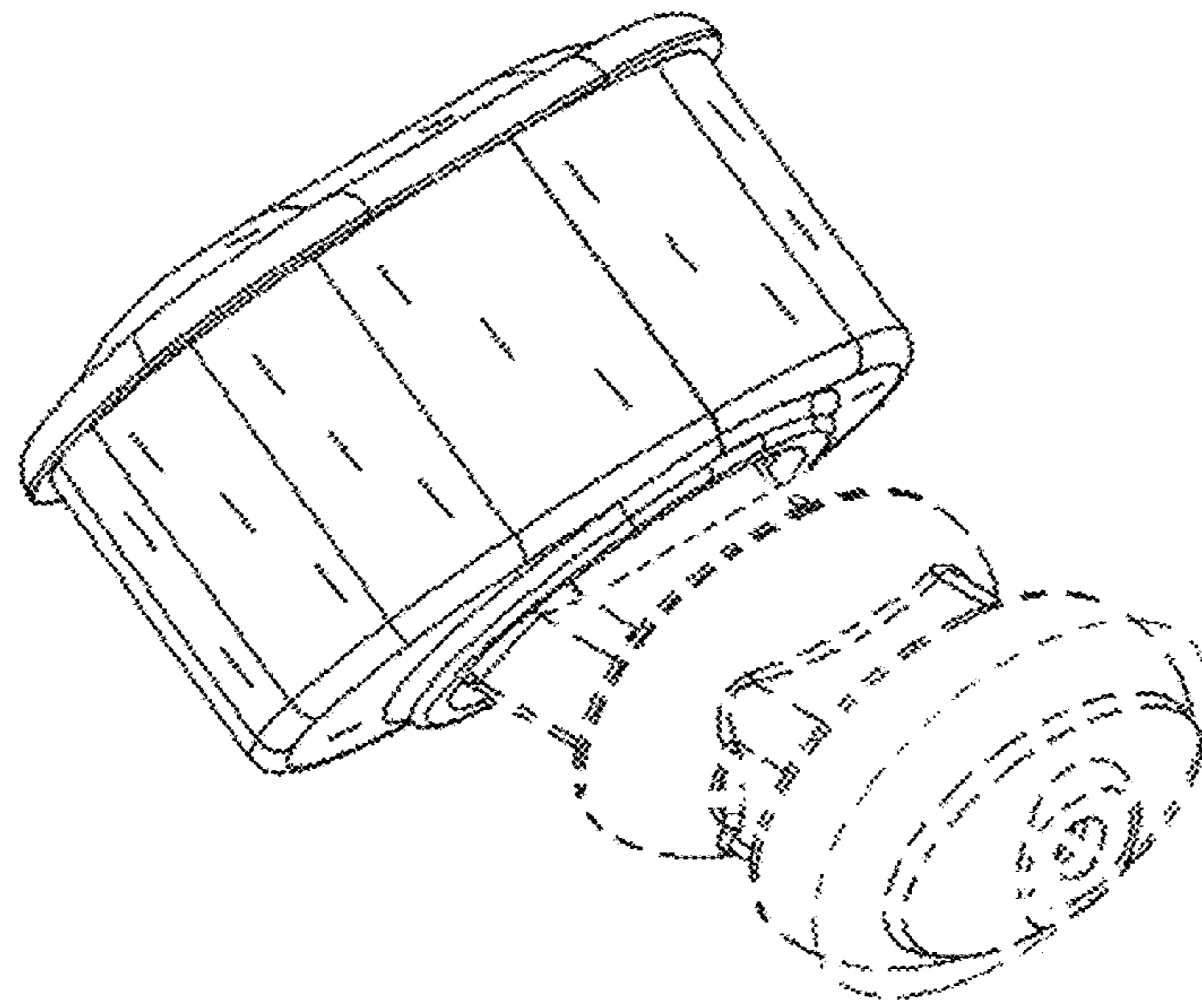
\* cited by examiner



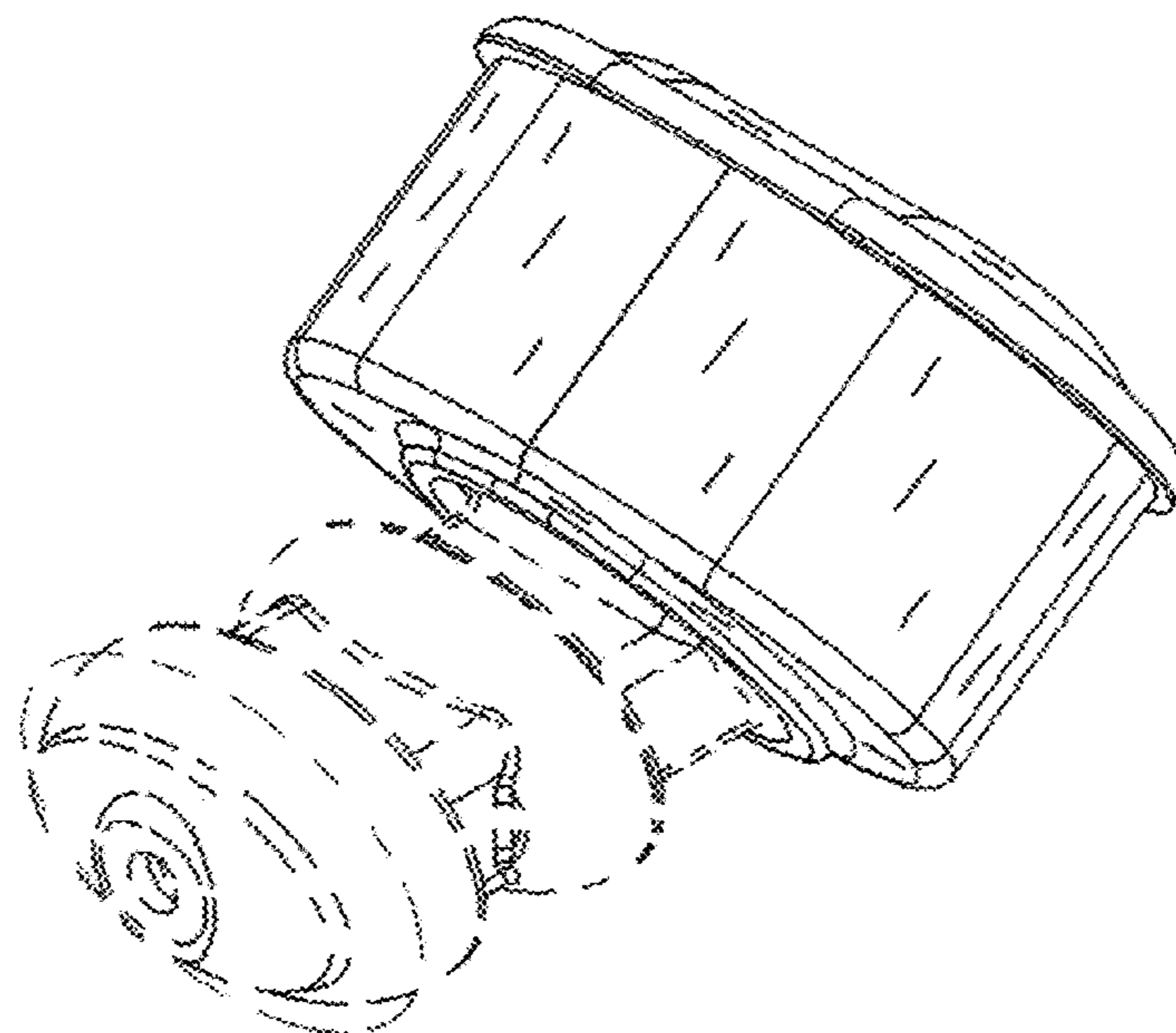
**FIG. 1**



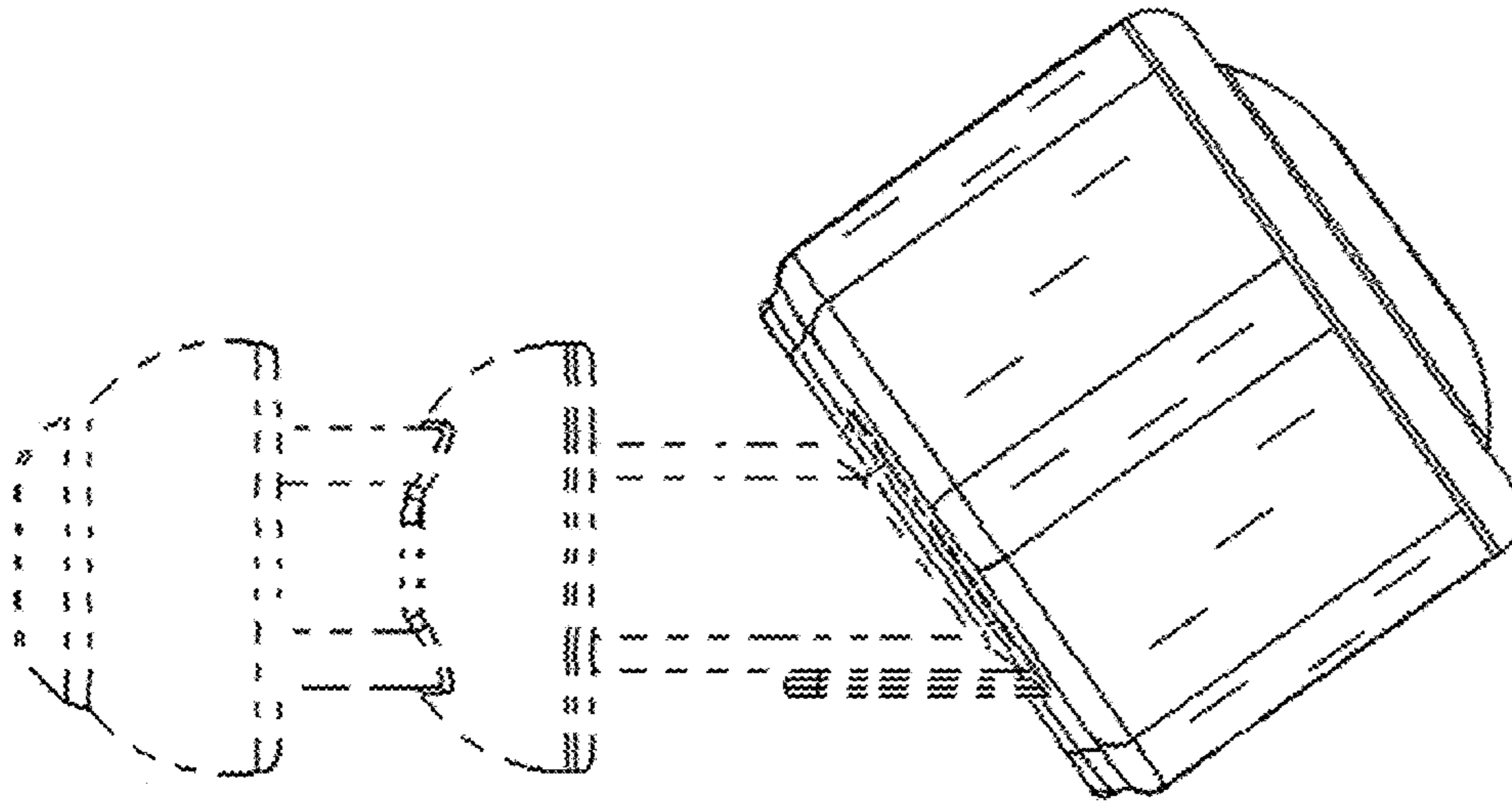
**FIG. 2**



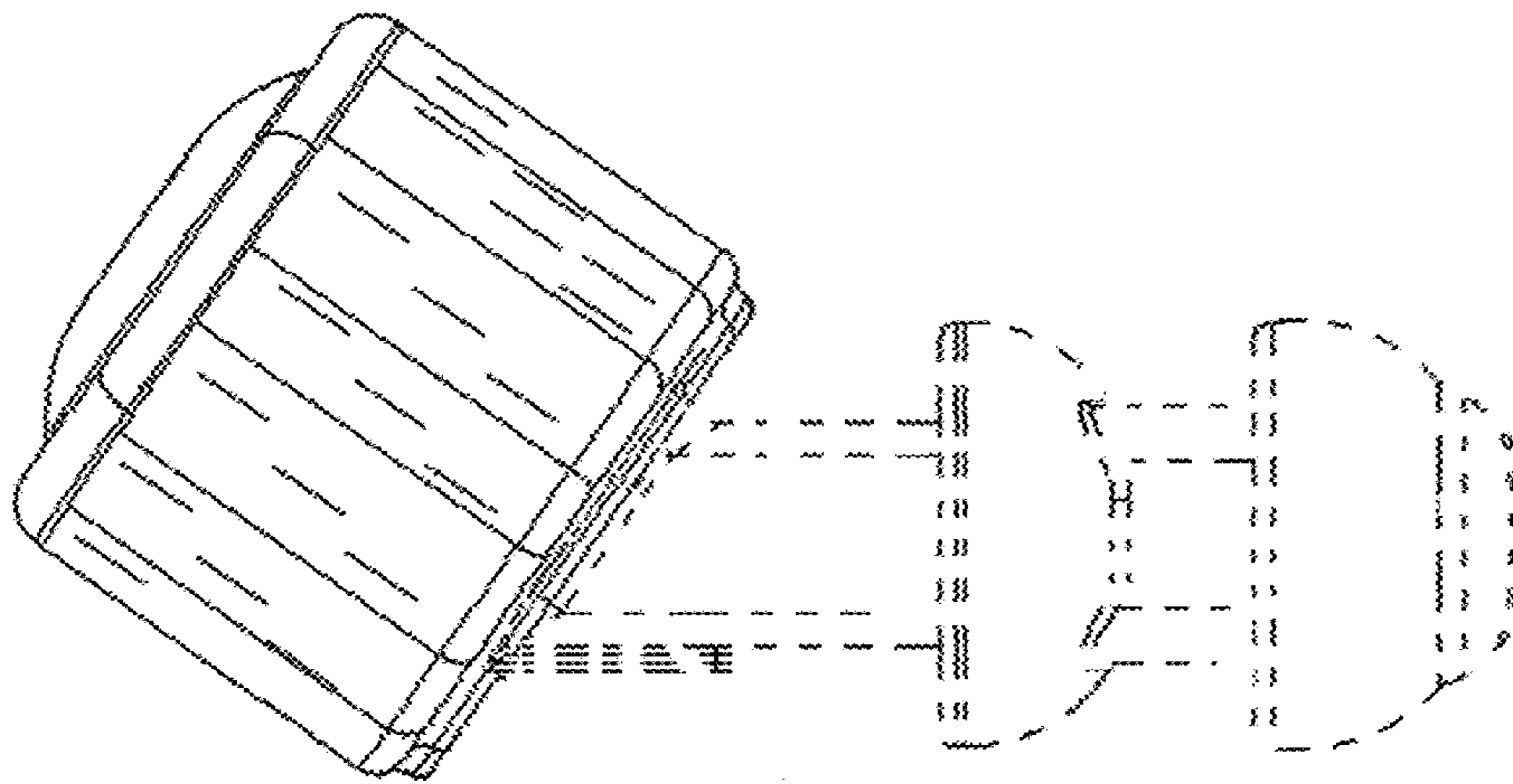
**FIG. 3**



**FIG. 4**



**FIG. 5**



**FIG. 6**

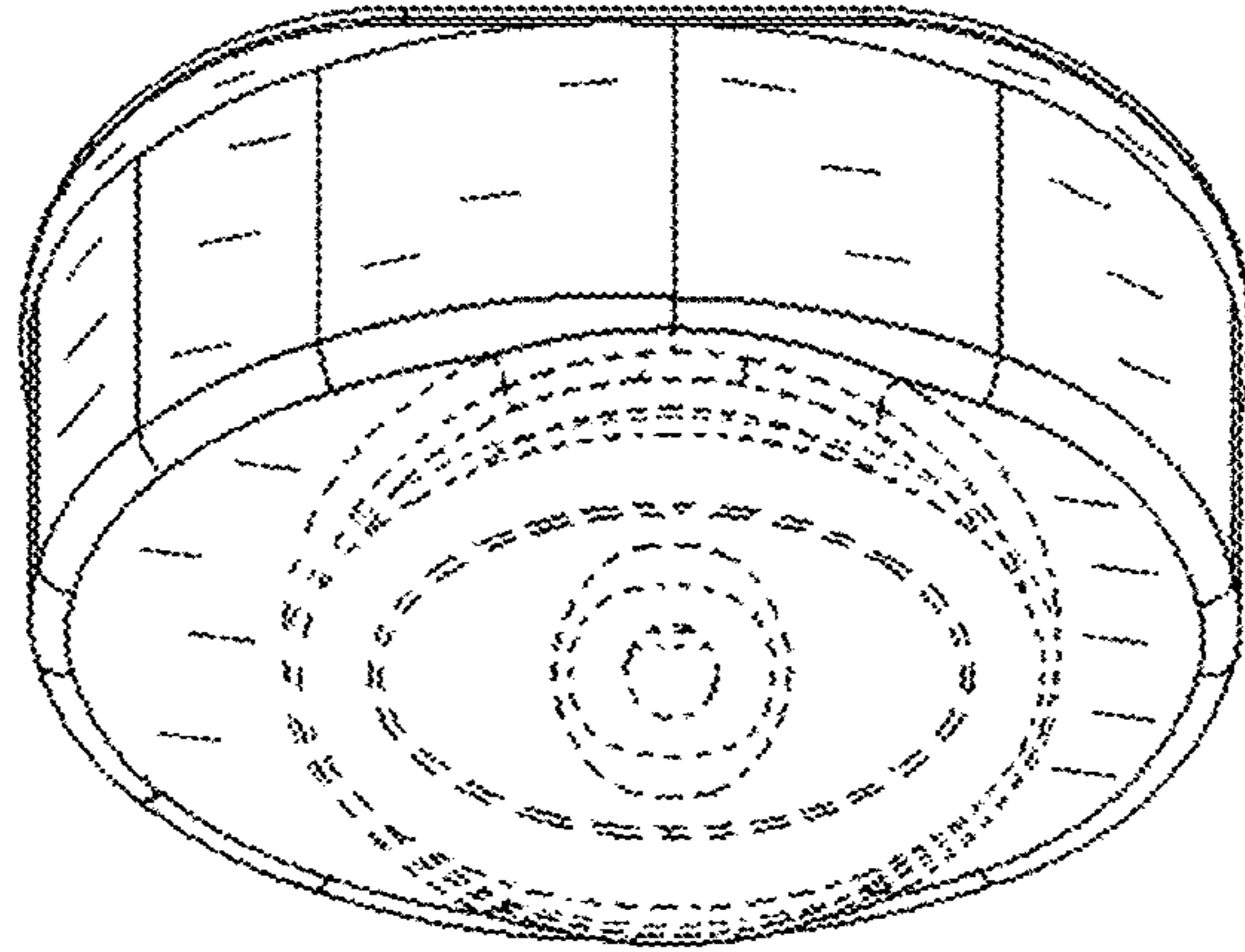


FIG. 7

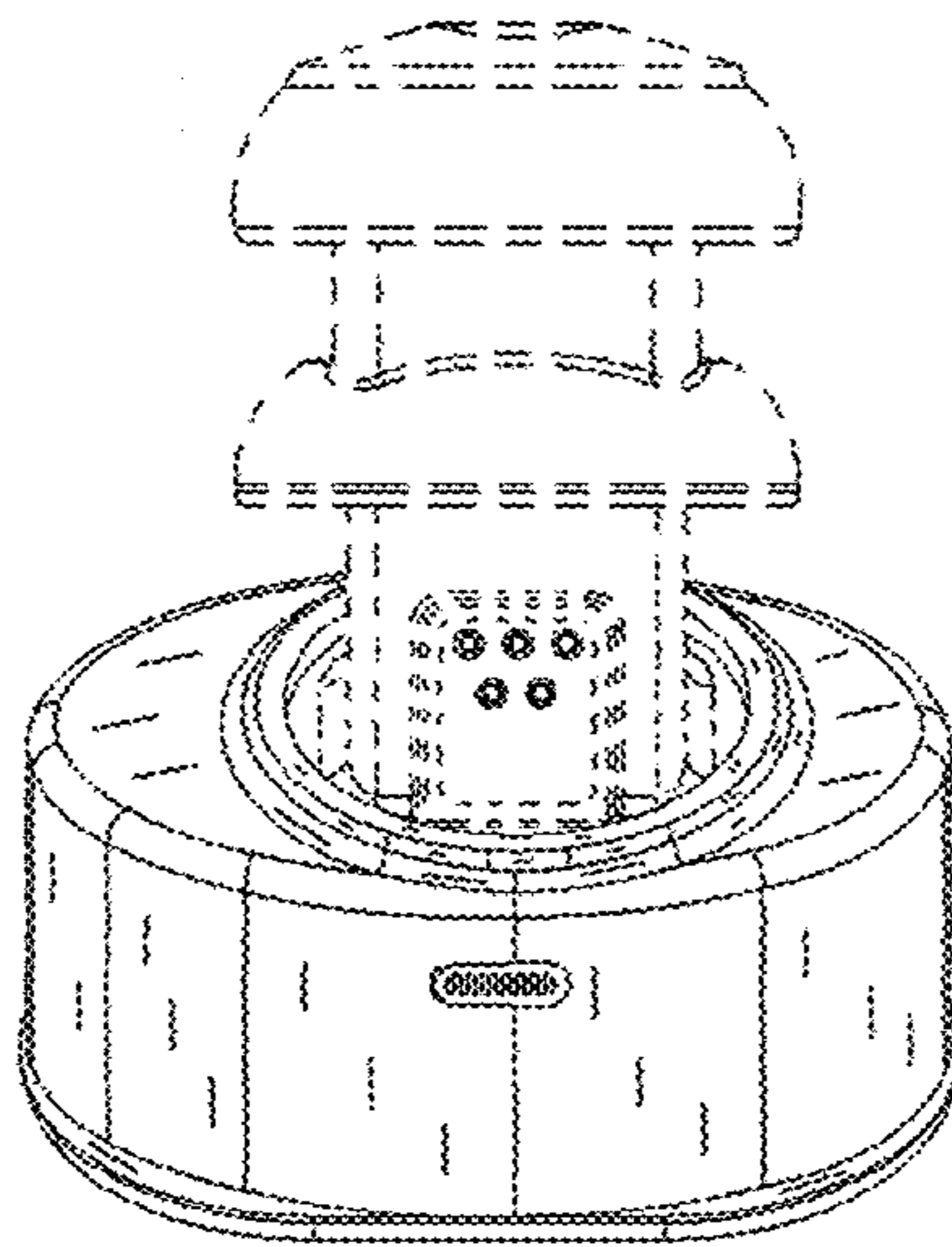


FIG. 8