



US00D798840S

(12) **United States Design Patent**  
**Tse**

(10) **Patent No.:** **US D798,840 S**

(45) **Date of Patent:** **\*\* Oct. 3, 2017**

(54) **WIRELESS SPEAKER**

2400/00; H04R 2400/07; H04R 2499/11;  
H04R 2499/13; H04R 2499/15; H04S  
3/00; H04S 7/30

(71) Applicant: **Kin Man Tse**, N.T. (HK)

See application file for complete search history.

(72) Inventor: **Kin Man Tse**, N.T. (HK)

(73) Assignee: **PLASTOFORM INDUSTRIES LIMITED**, N.T. (HK)

(56) **References Cited**

U.S. PATENT DOCUMENTS

(\*\*) Term: **15 Years**

D628,556 S *	12/2010	Lee .....	D14/214
D722,594 S *	2/2015	Won .....	D14/216
D727,297 S *	4/2015	Valeur .....	D14/216
D746,887 S *	1/2016	Deng .....	D16/202
D752,024 S *	3/2016	Kachwalla .....	D14/216

(21) Appl. No.: **29/546,552**

\* cited by examiner

(22) Filed: **Nov. 24, 2015**

(51) **LOC (10) Cl.** ..... **14-03**

*Primary Examiner* — Keli L Hill

(52) **U.S. Cl.**  
USPC ..... **D14/216**

(58) **Field of Classification Search**  
 USPC ..... D14/167, 168, 170–172, 188, 194–196,  
 D14/204, 207, 209.1, 210–216, 219, 221,  
 D14/222, 224, 239, 496; 181/143, 144,  
 181/147, 148, 150, 153, 157, 198, 199;  
 381/300–303, 306, 332, 333, 336, 345,  
 381/361–364, 386–388; 369/6–12  
 CPC ..... B60R 11/0217; G06F 1/1688; G10K 9/22;  
 G10K 11/004; H03F 1/327; H04M 1/03;  
 H04M 1/035; H04N 5/642; H04N  
 21/4852; H04R 1/02; H04R 1/06; H04R  
 1/021; H04R 1/025; H04R 1/026; H04R  
 1/028; H04R 1/105; H04R 1/323; H04R  
 1/403; H04R 1/2803; H04R 1/2834;  
 H04R 5/02; H04R 7/20; H04R 9/06;  
 H04R 9/025; H04R 2201/021; H04R

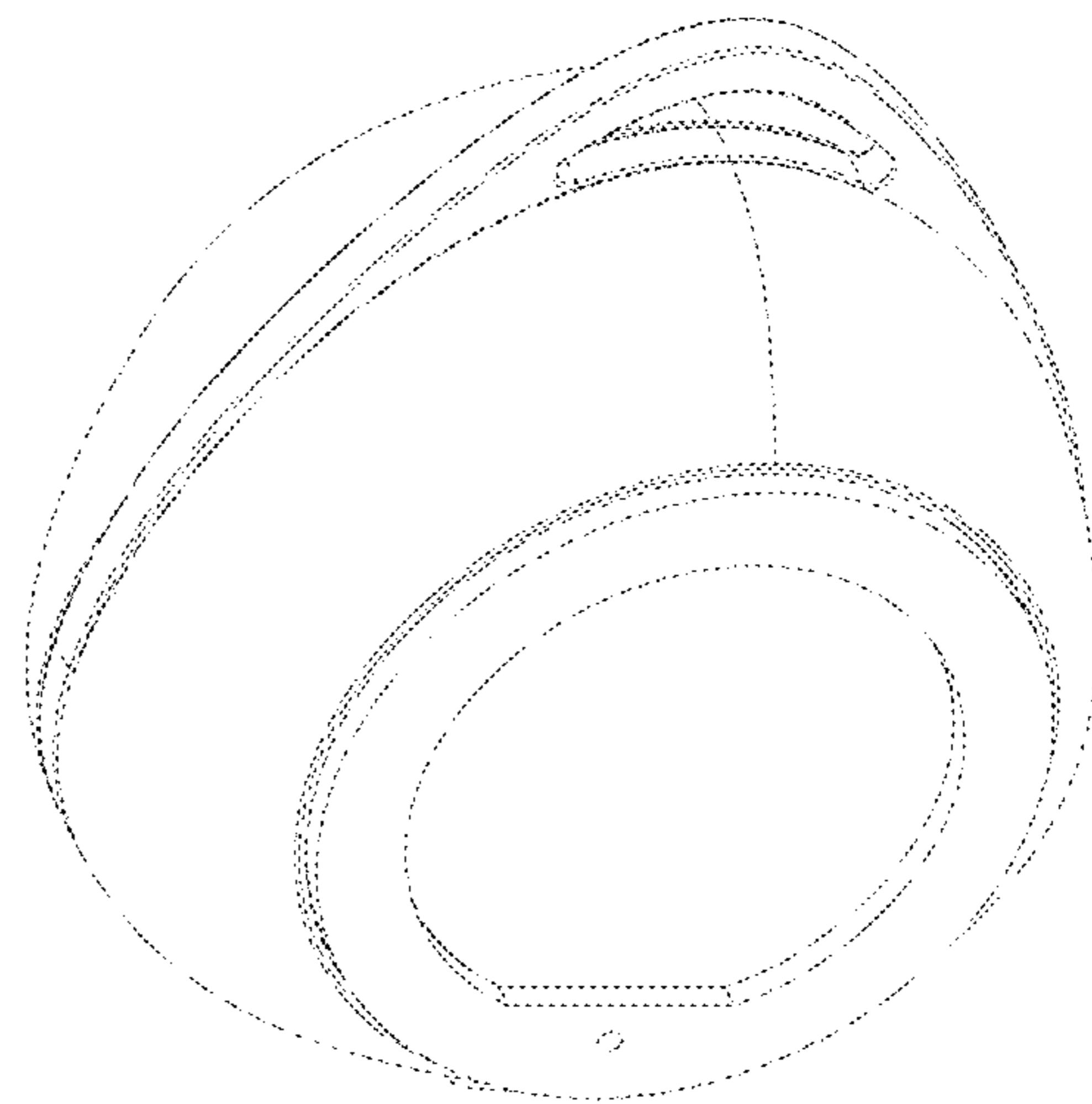
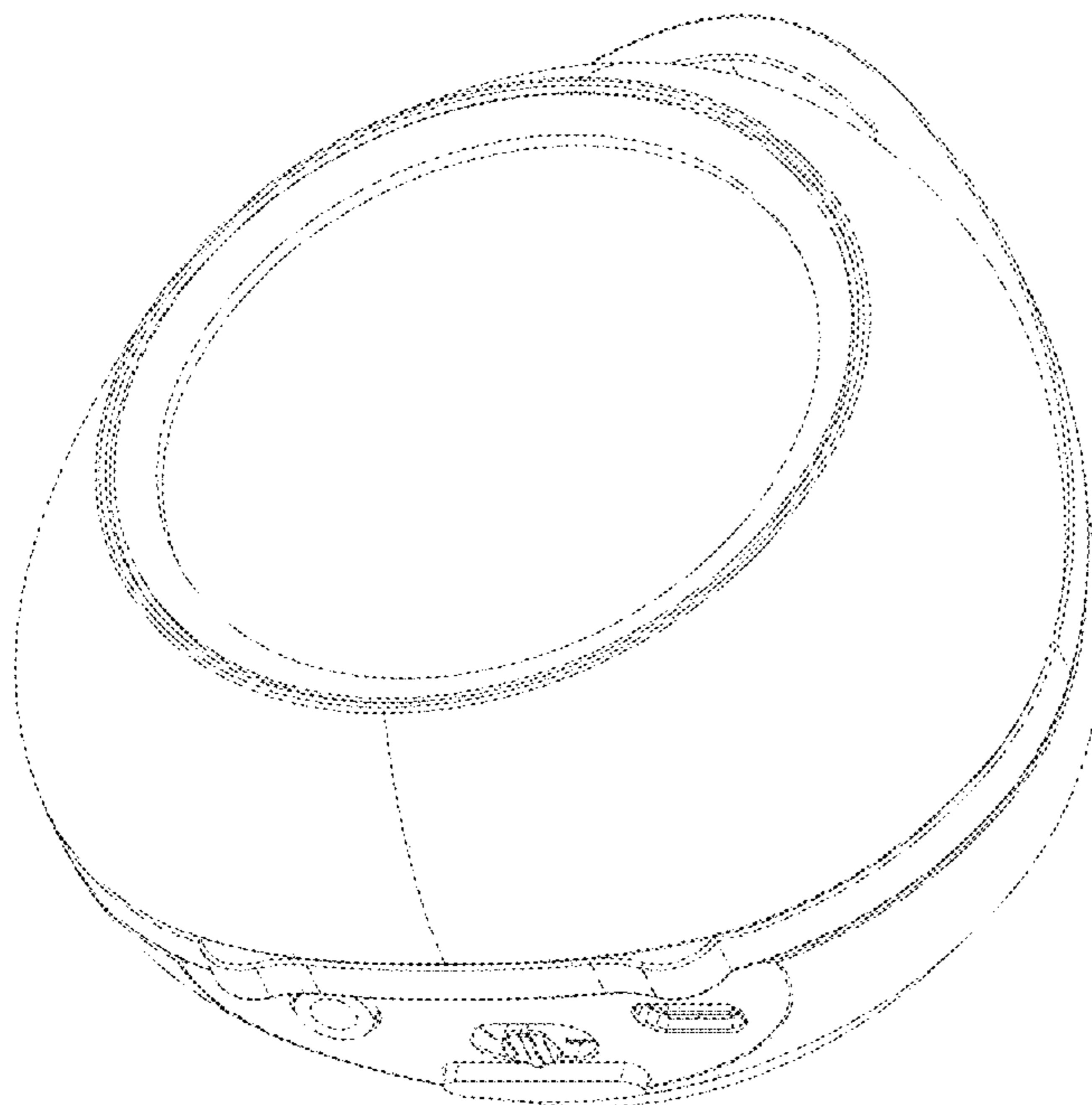
(57) **CLAIM**

The ornamental design for a wireless speaker, as shown.

**DESCRIPTION**

FIG. 1 is a front elevational view of a wireless speaker showing my new design;  
 FIG. 2 is a rear elevational view thereof;  
 FIG. 3 is a left side view thereof;  
 FIG. 4 is a right side view thereof;  
 FIG. 5 is a top plan view thereof;  
 FIG. 6 is a bottom plan view thereof;  
 FIG. 7 is a perspective view thereof; and,  
 FIG. 8 is another perspective view thereof.

**1 Claim, 7 Drawing Sheets**



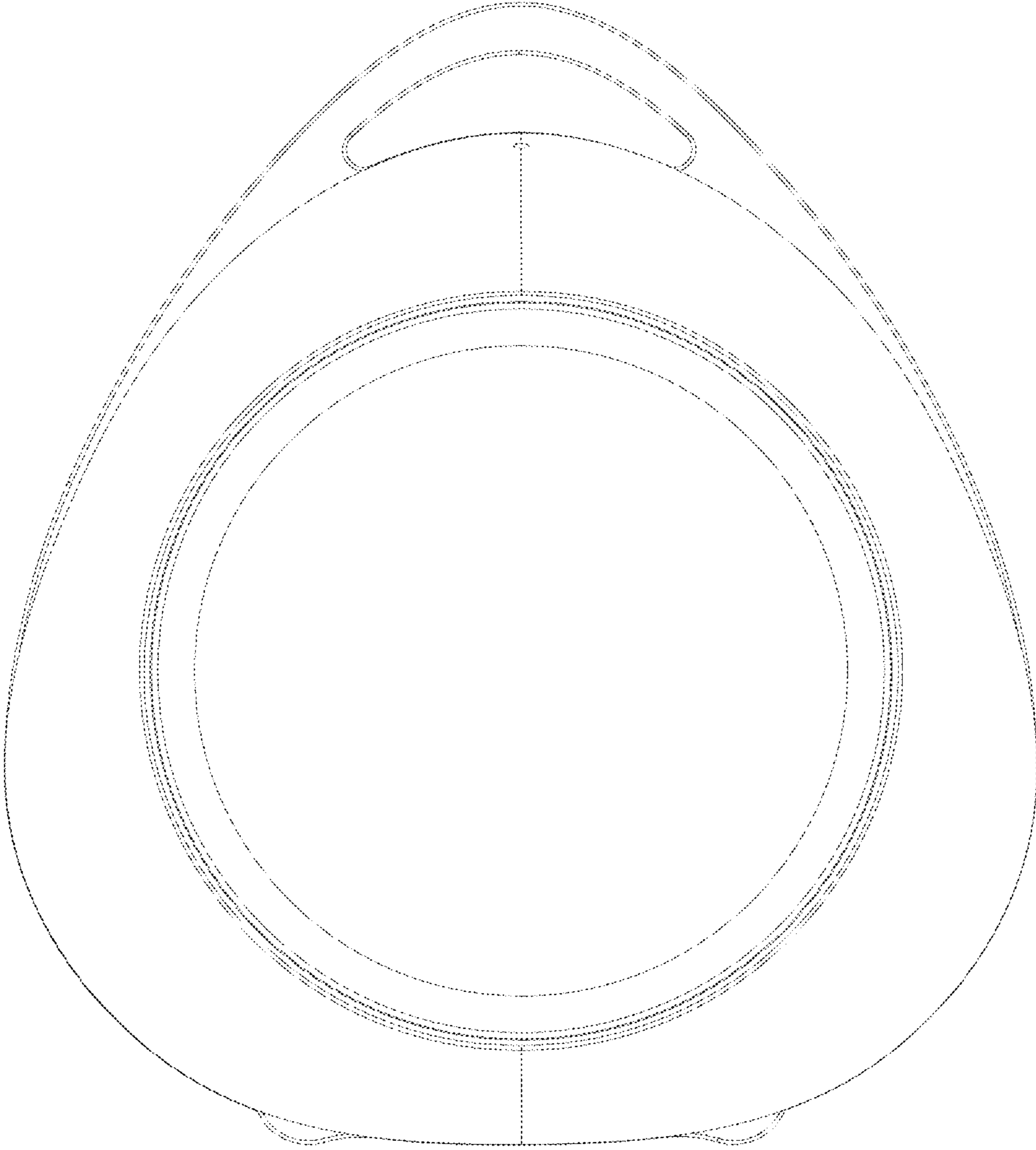


FIG. 1

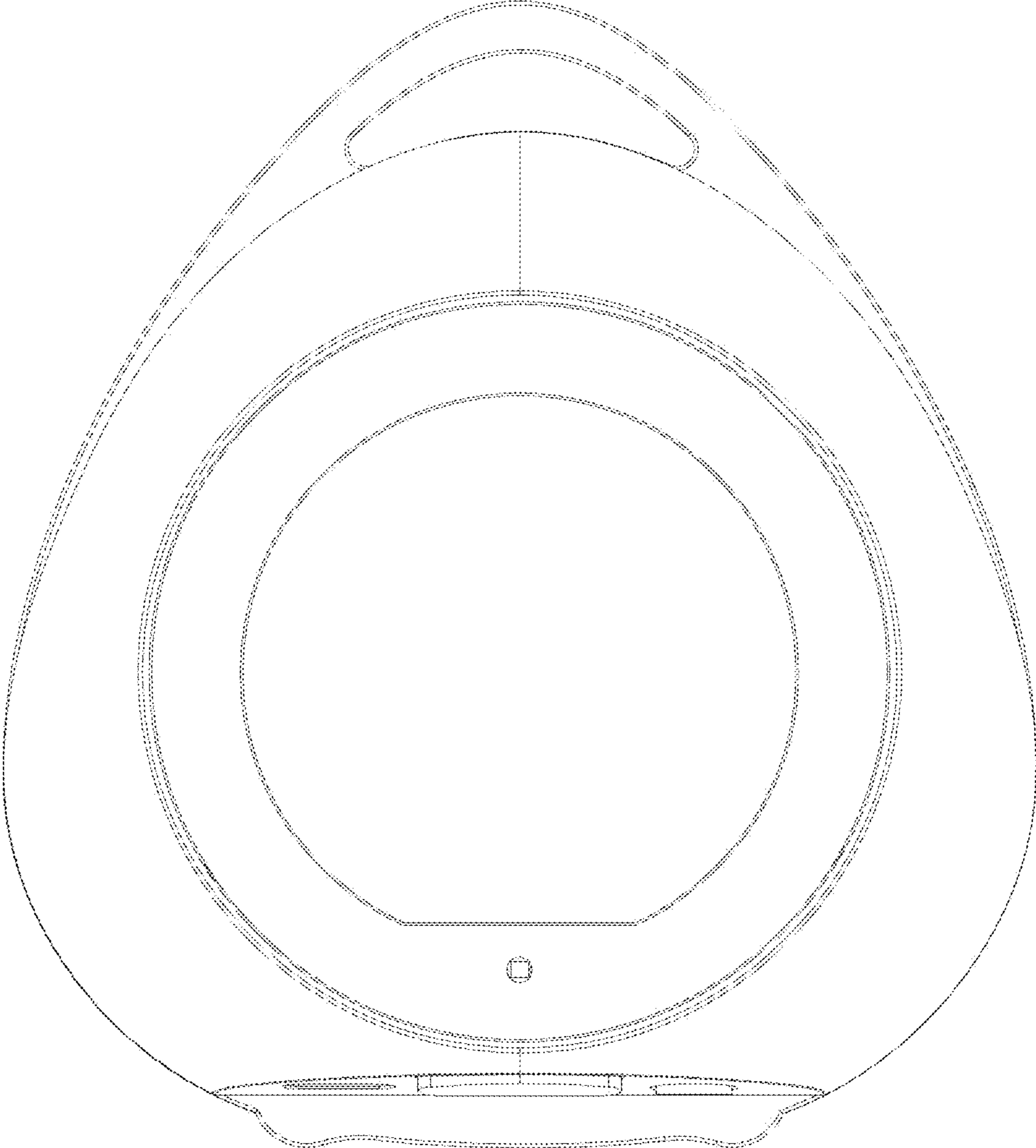


FIG. 2

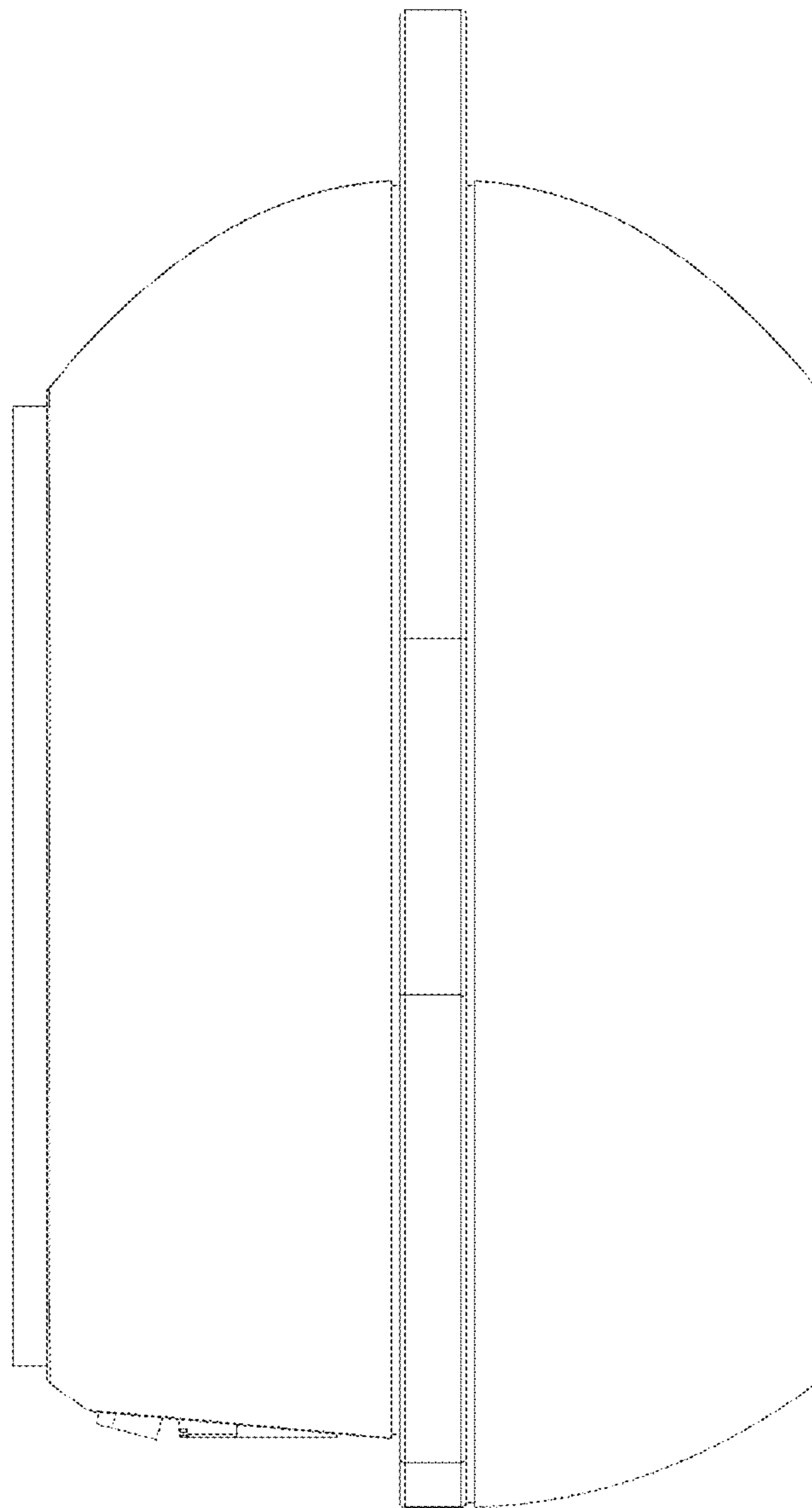


FIG. 3

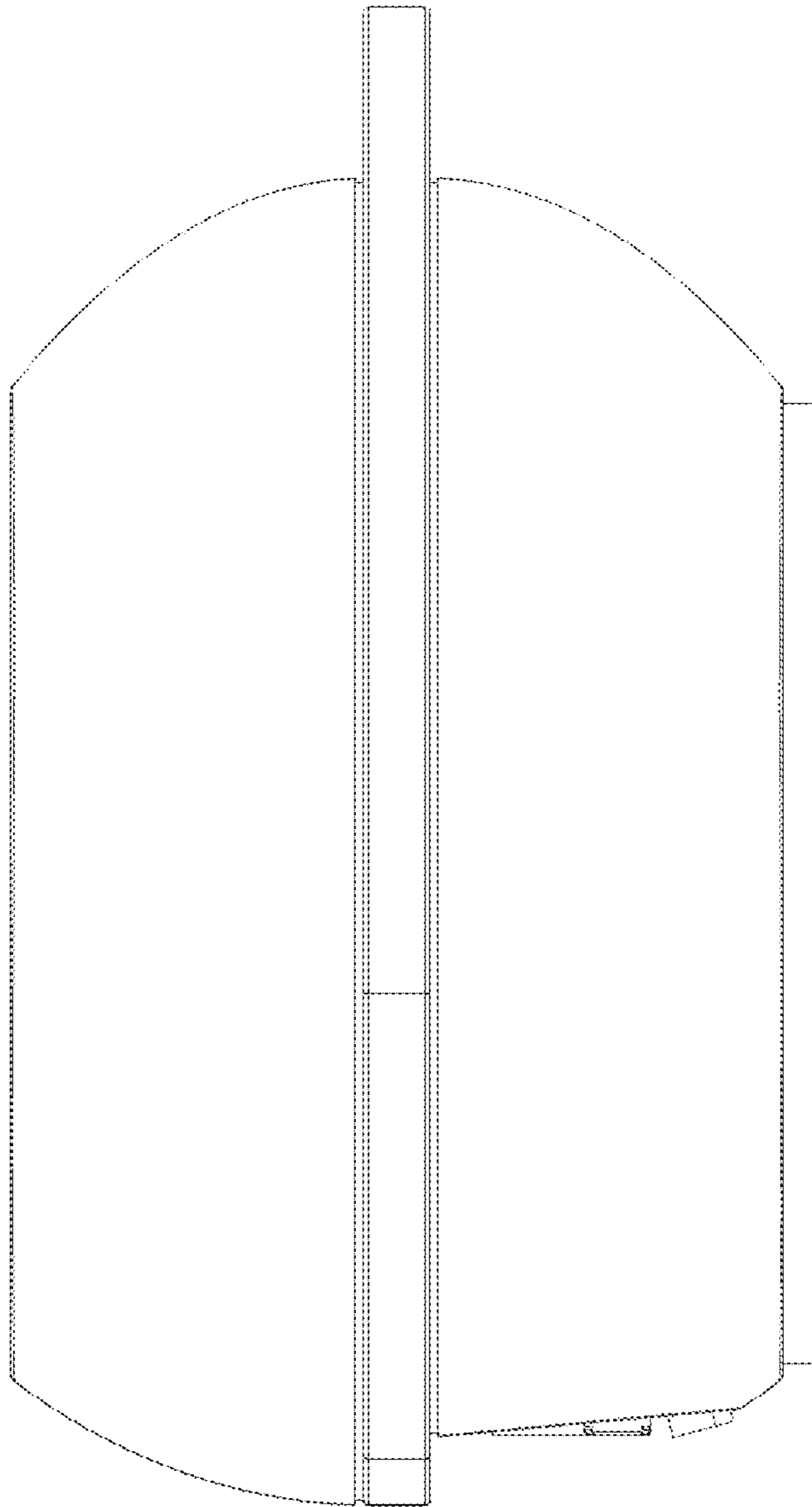


FIG. 4

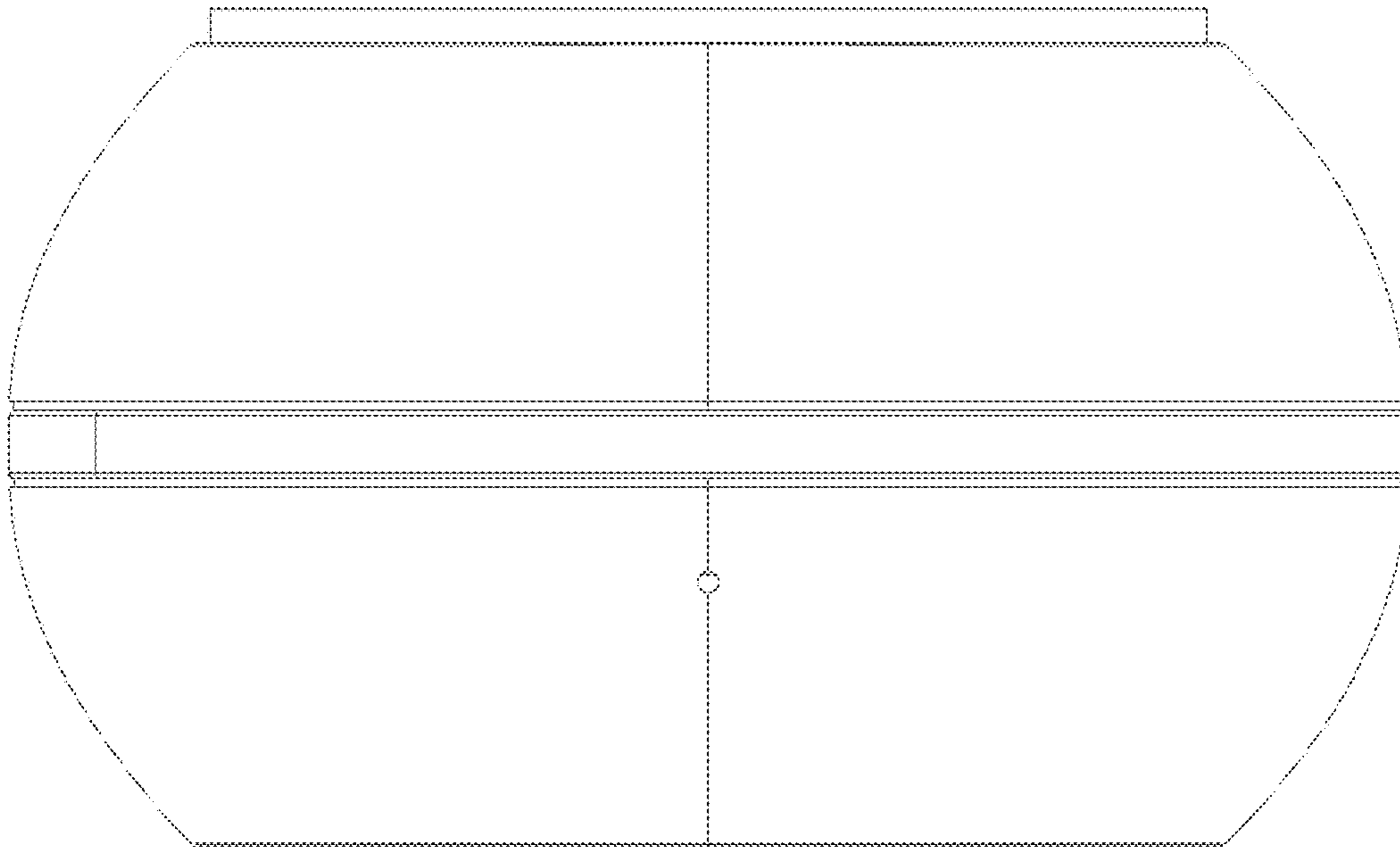


FIG. 5

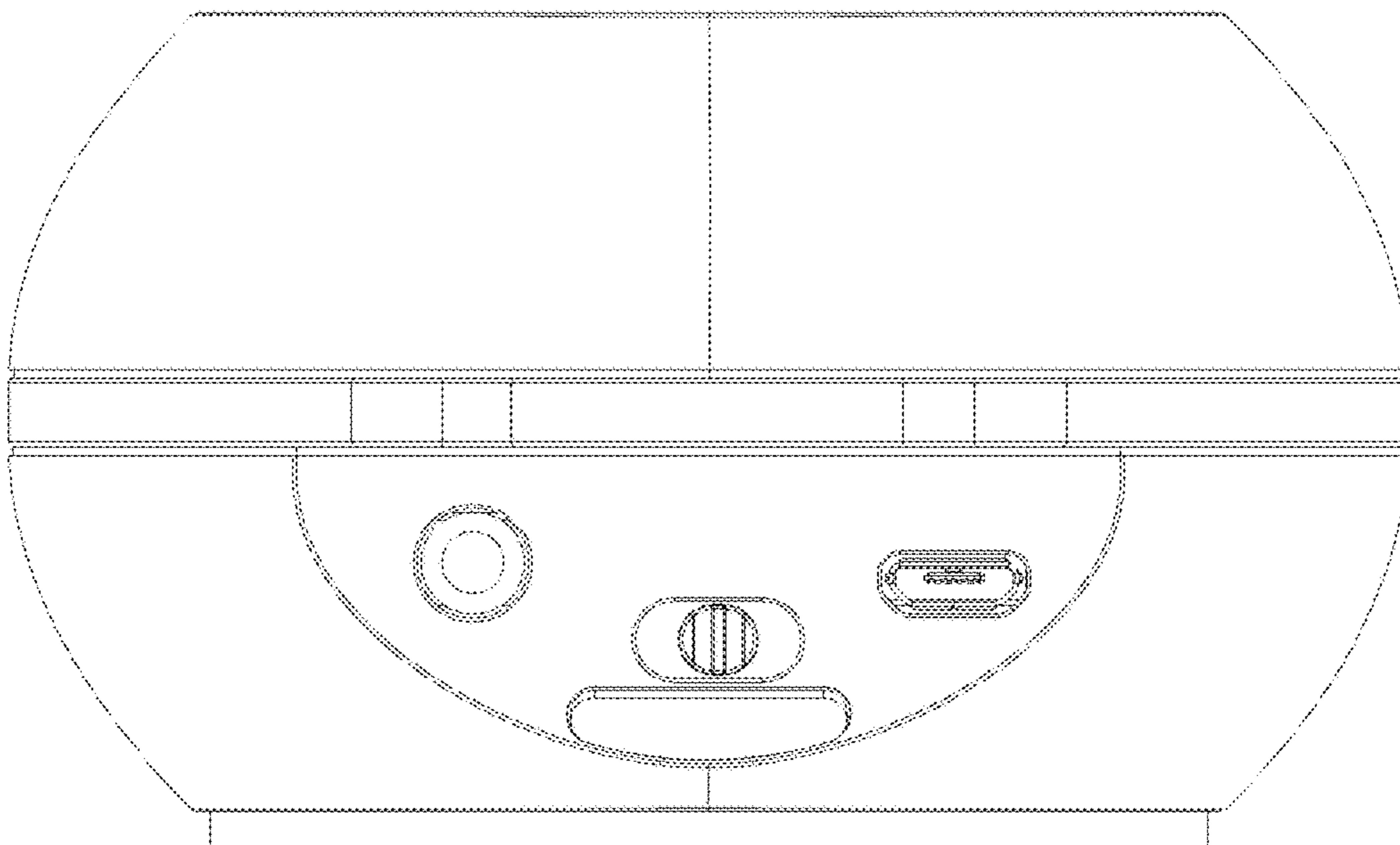


FIG. 6

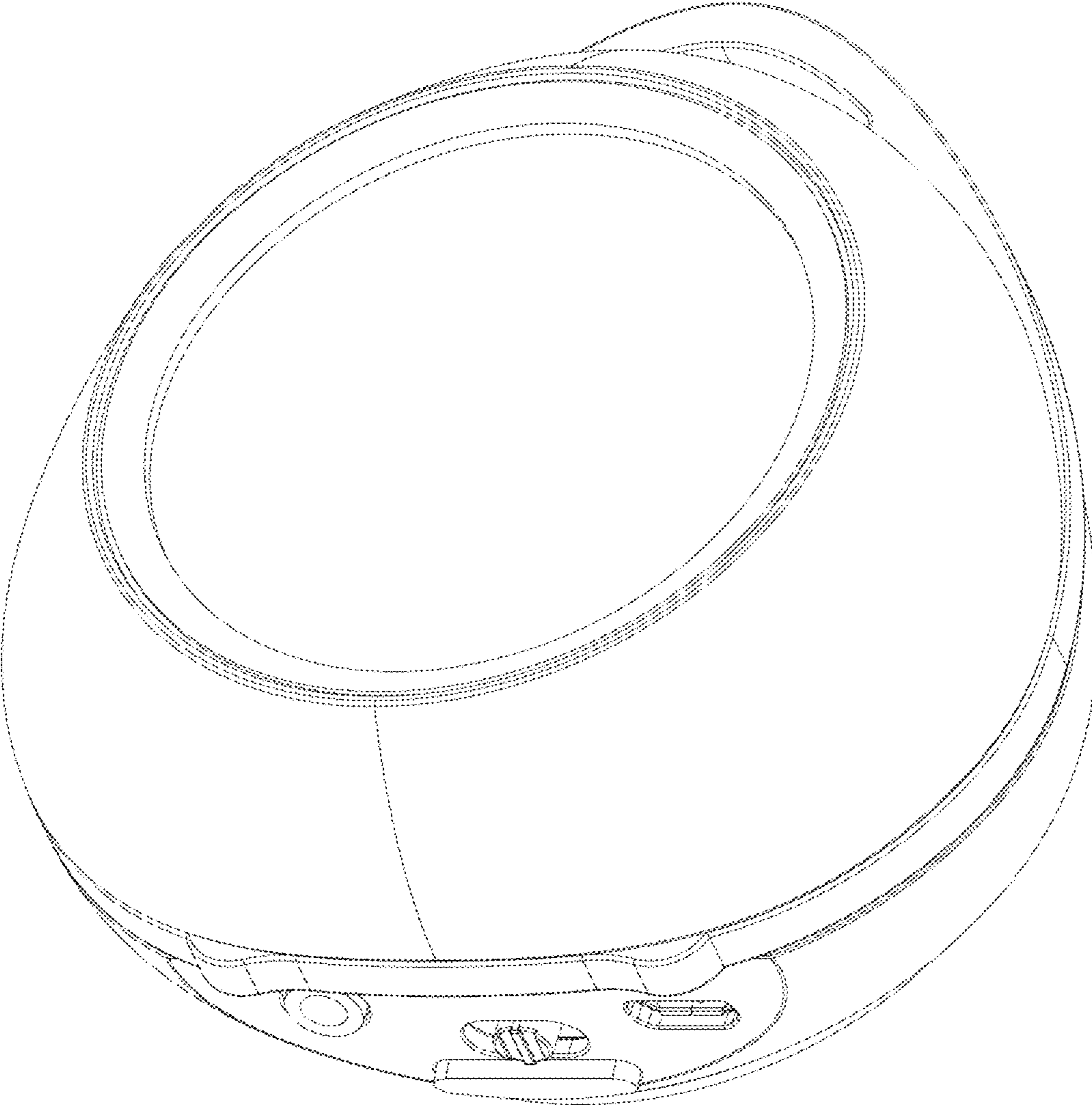


FIG. 7

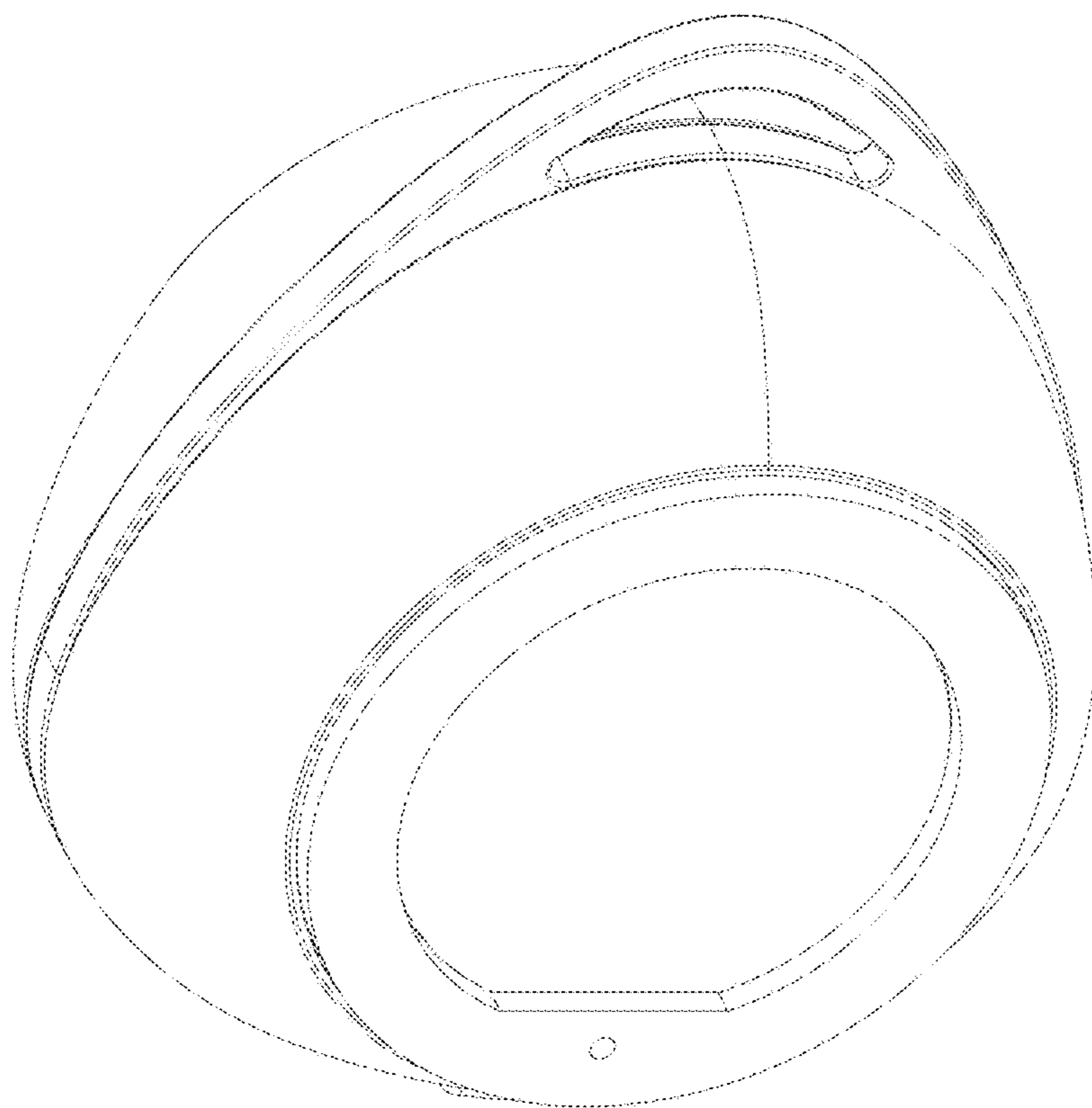


FIG. 8