



US00D798838S

(12) **United States Design Patent**  
**DiTullo et al.**

(10) **Patent No.:** **US D798,838 S**

(45) **Date of Patent:** **\*\* Oct. 3, 2017**

(54) **USB AUDIO SPEAKER**

(71) Applicant: **Sound United, LLC**, Vista, CA (US)

(72) Inventors: **Michael DiTullo**, Encinitas, CA (US);  
**Ryan Minarik**, Oceanside, CA (US);  
**Ken Chae**, San Marcos, CA (US);  
**Cameron Nielsen**, San Diego, CA (US)

(73) Assignee: **Polk Audio, LLC**

(\*\*) Term: **15 Years**

(21) Appl. No.: **29/572,413**

(22) Filed: **Jul. 27, 2016**

(51) **LOC (10) Cl.** ..... **14-01**

(52) **U.S. Cl.**  
USPC ... **D14/214**; D14/204; D14/217; D14/224.1;  
D14/226

(58) **Field of Classification Search**  
USPC ..... D14/204, 214, 217, 224.1, 226, 203.1,  
D14/203.3, 205, 206, 156, 167, 154, 191,  
D14/192, 218, 240, 260, 385, 358, 356,  
D14/225, 496, 433, 434, 451, 432;  
D3/208; D10/104.1, 106.1; 381/380,  
381/381; 361/752; 455/569.1  
CPC ... H04R 1/02; H04R 5/00; H04R 9/06; H04R  
25/00; G06F 1/16  
See application file for complete search history.

(56) **References Cited**

**U.S. PATENT DOCUMENTS**

- 3,370,236 A \* 2/1968 Walker ..... H04B 1/385  
224/674
- 4,008,940 A \* 2/1977 Foley ..... H01R 13/6271  
439/354
- D260,008 S \* 7/1981 Wistrand ..... D10/106.1
- D262,536 S \* 1/1982 Miyanaga ..... D14/194
- D275,375 S \* 9/1984 Schwartz ..... D10/106.1

- D276,336 S \* 11/1984 Kaeo ..... D14/225
- D280,323 S \* 8/1985 Scheid ..... D14/225
- D282,378 S \* 1/1986 Ohyabu ..... D19/169
- D310,082 S \* 8/1990 Kehl ..... D14/225
- D331,070 S \* 11/1992 Hu Huang ..... D19/166
- D332,600 S \* 1/1993 Lucey ..... D13/147
- D352,037 S \* 11/1994 Maeyama ..... D14/192
- D356,571 S \* 3/1995 Garmon ..... D14/225
- D359,493 S \* 6/1995 Harsch ..... D14/217
- 5,488,759 A \* 2/1996 Lim ..... A45F 5/02  
24/3.12
- D384,072 S \* 9/1997 Ng ..... D14/192
- D386,473 S \* 11/1997 England ..... D13/147
- D395,433 S \* 6/1998 Kee ..... D14/192
- D408,384 S \* 4/1999 Hata ..... D14/435.1
- D436,109 S \* 1/2001 Tong ..... D14/434
- D449,615 S \* 10/2001 Lloyd ..... D14/435.1
- D453,154 S \* 1/2002 Astradsson ..... D14/240
- 6,438,248 B1 \* 8/2002 Kamimura ..... H04M 1/05  
381/374
- D462,689 S \* 9/2002 Moran ..... D14/480.5
- 6,456,500 B1 \* 9/2002 Chen ..... H05K 5/0278  
361/736

(Continued)

*Primary Examiner* — Paula Allen Greene

(74) *Attorney, Agent, or Firm* — K C Bean, Esq.

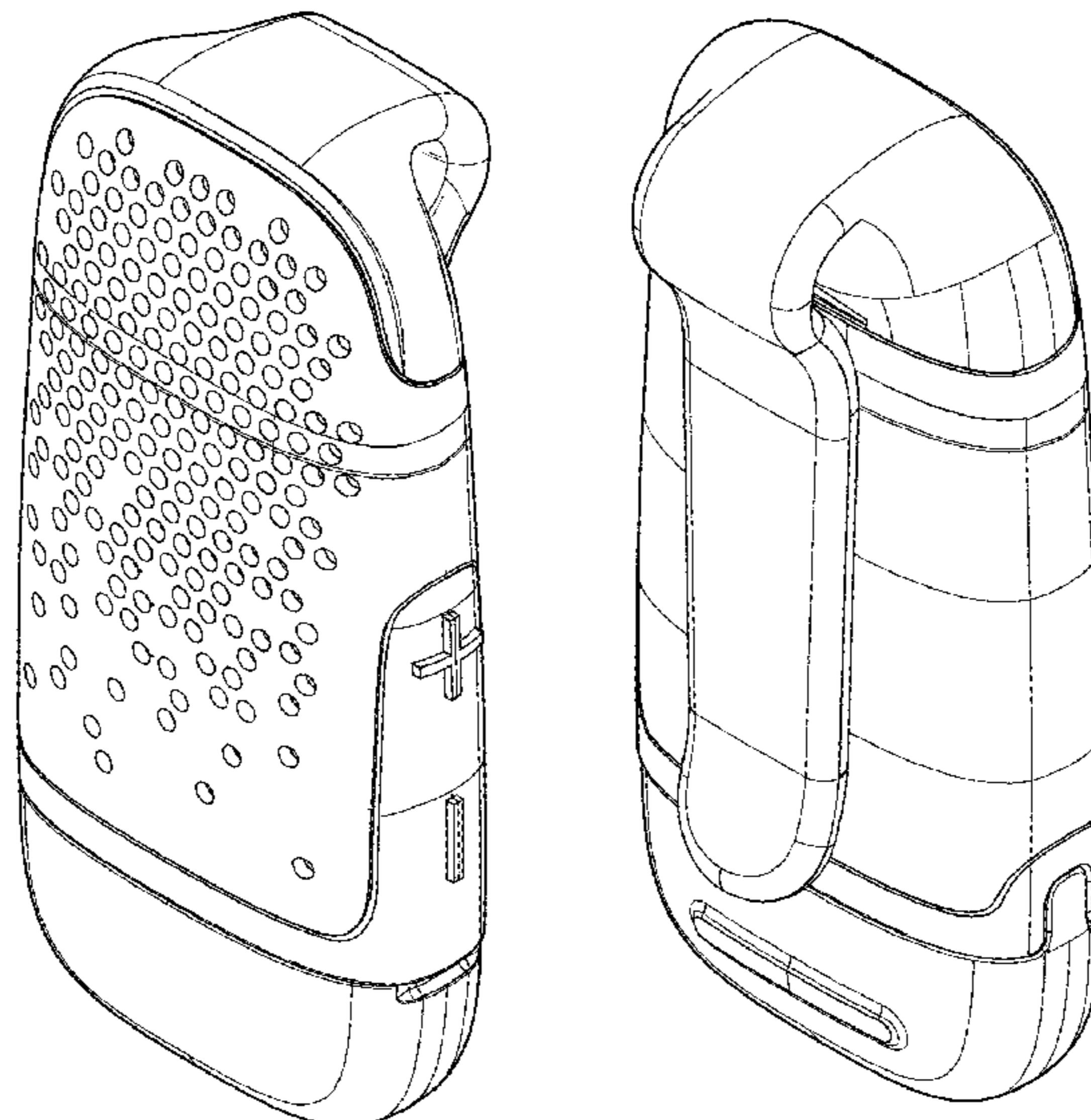
(57) **CLAIM**

The ornamental design for a USB audio speaker, as shown and described.

**DESCRIPTION**

FIG. 1 is a front perspective view of the USB audio speaker showing the new design;  
FIG. 2 is a back perspective view thereof;  
FIG. 3 is a front view thereof;  
FIG. 4 is a back view thereof;  
FIG. 5 is a right side view thereof;  
FIG. 6 is a left side view thereof;  
FIG. 7 is a top view thereof; and,  
FIG. 8 is a bottom view thereof.

**1 Claim, 5 Drawing Sheets**





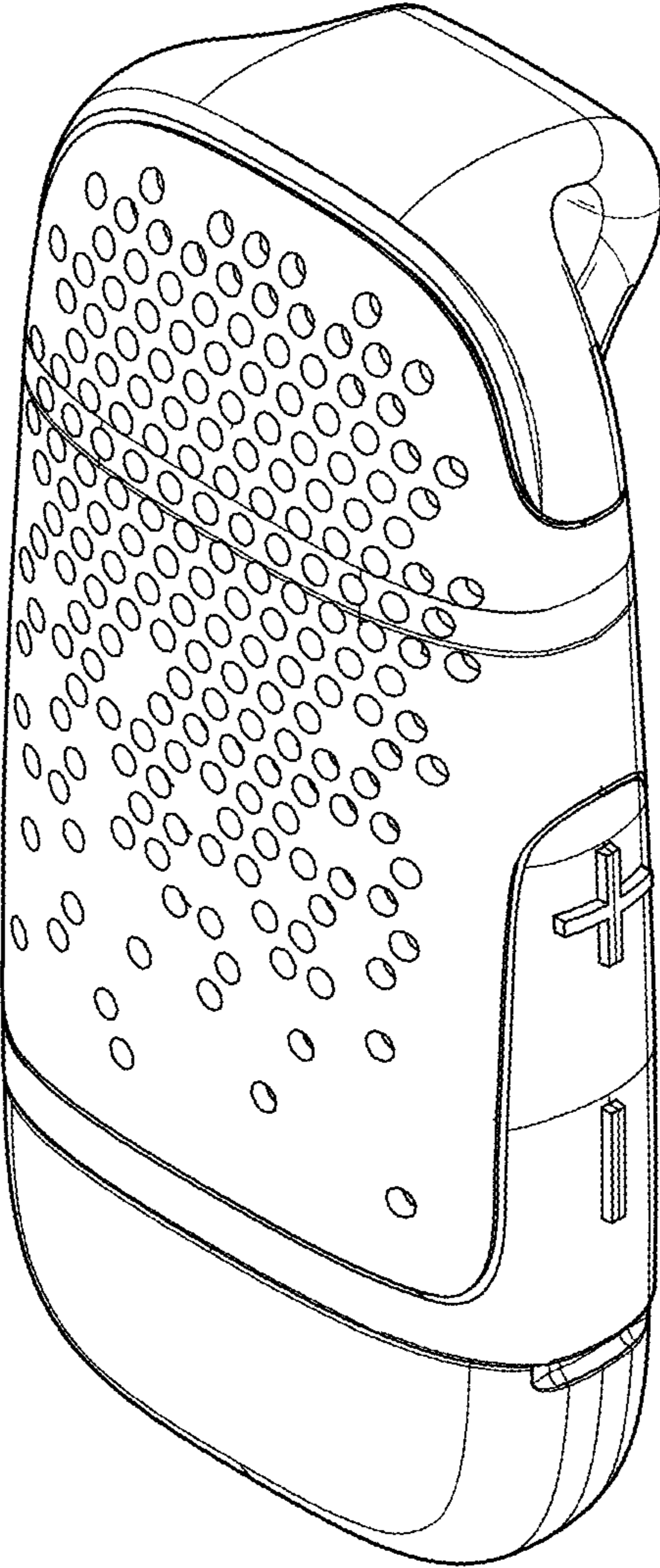


FIG. 1

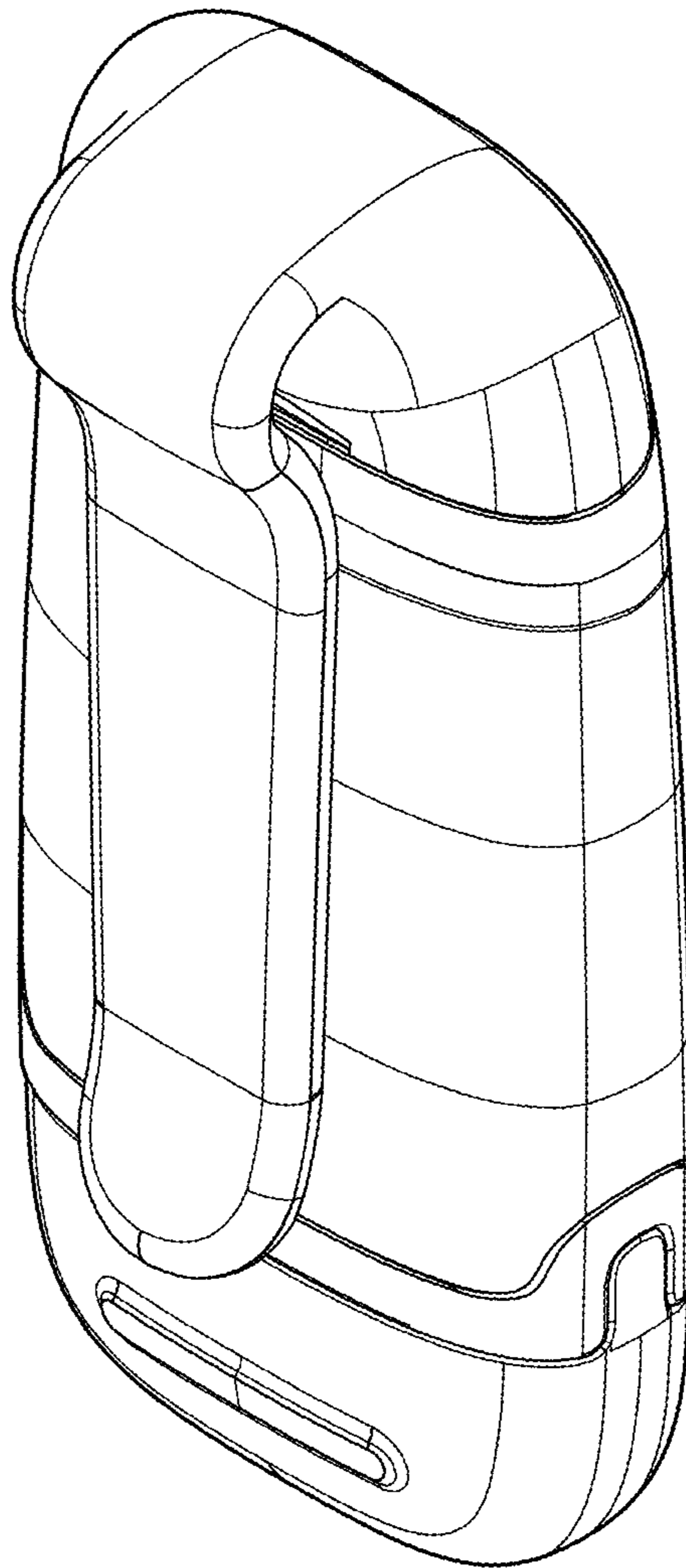


FIG. 2

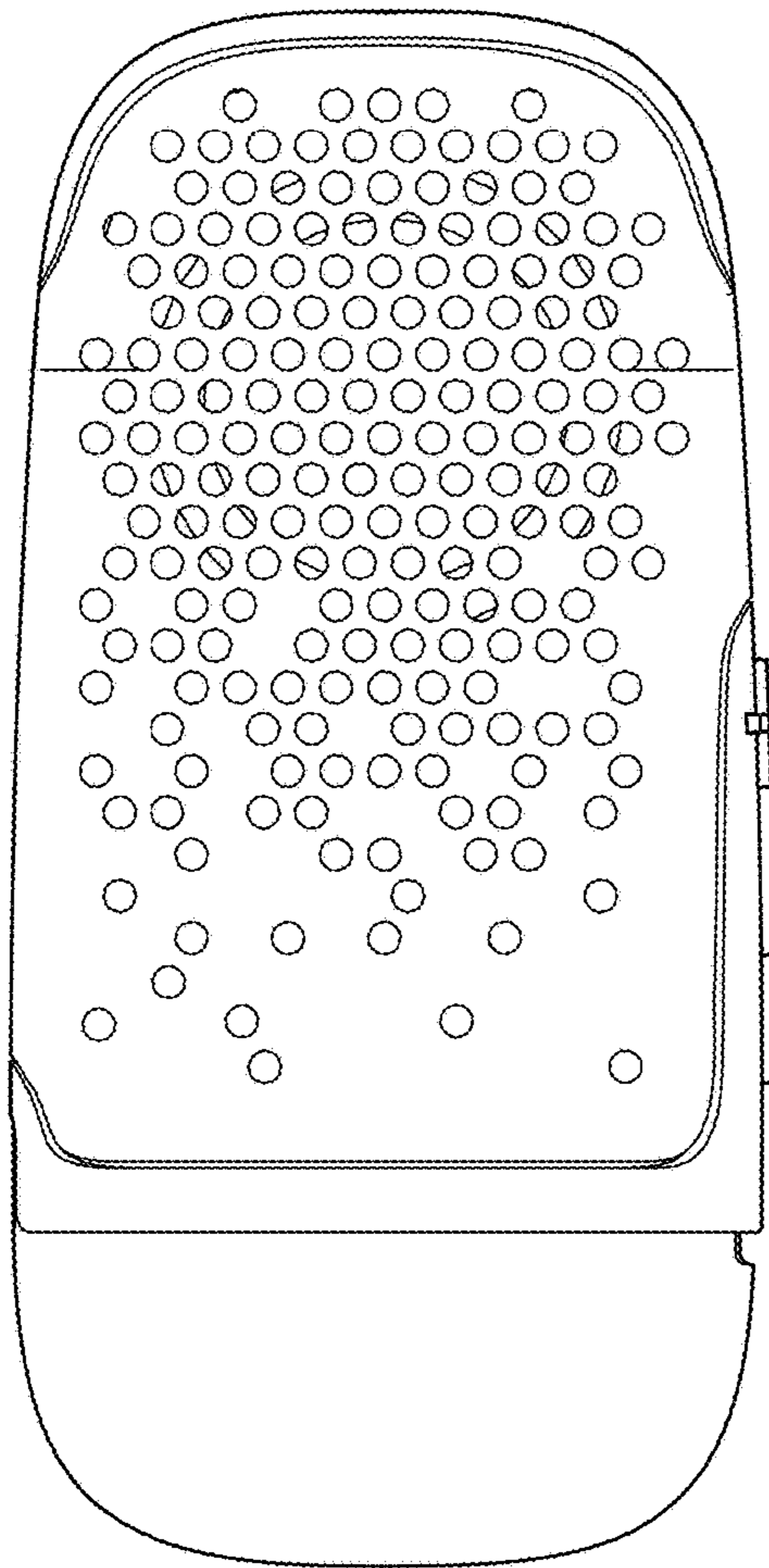


FIG. 3

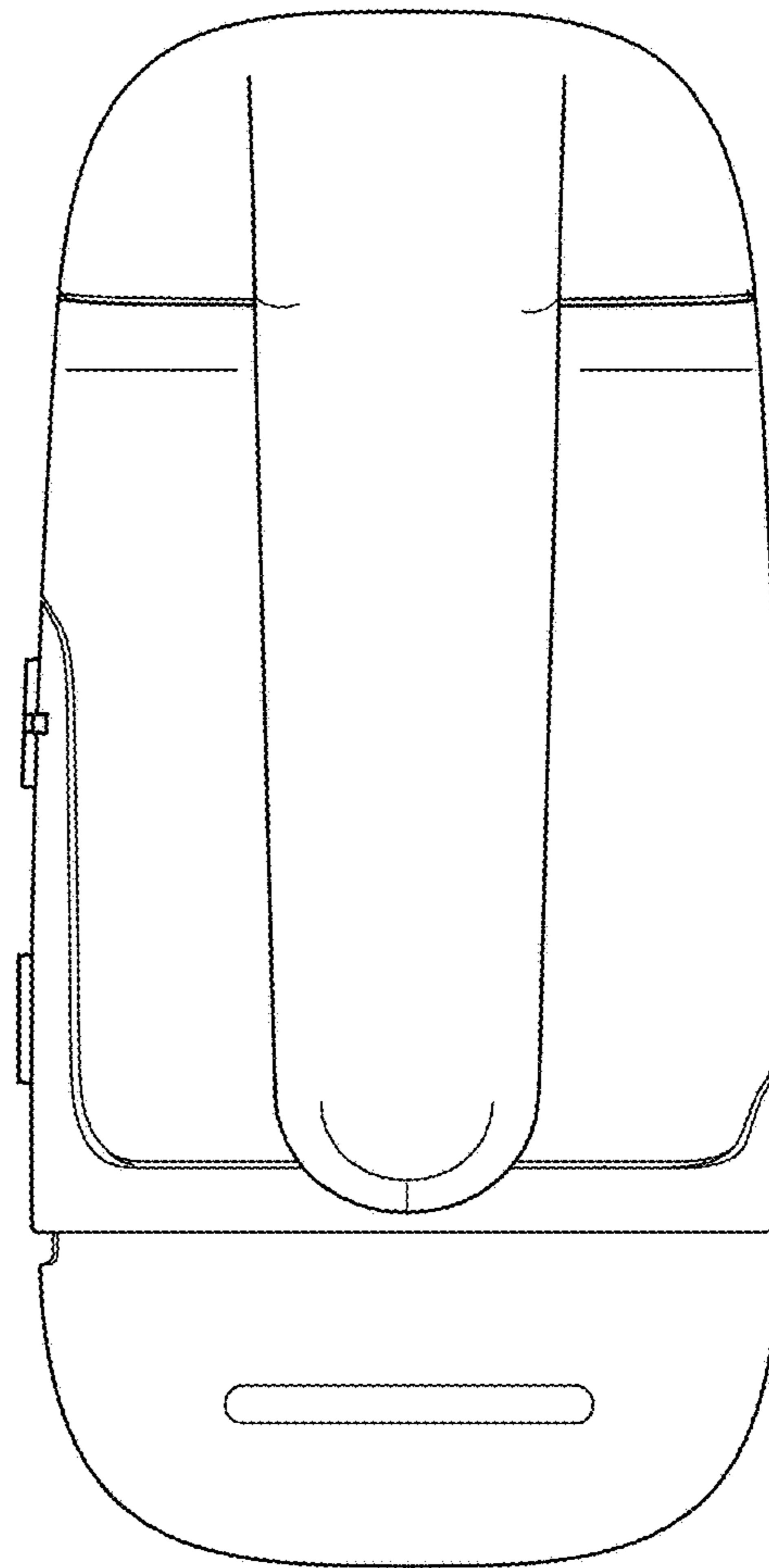


FIG. 4

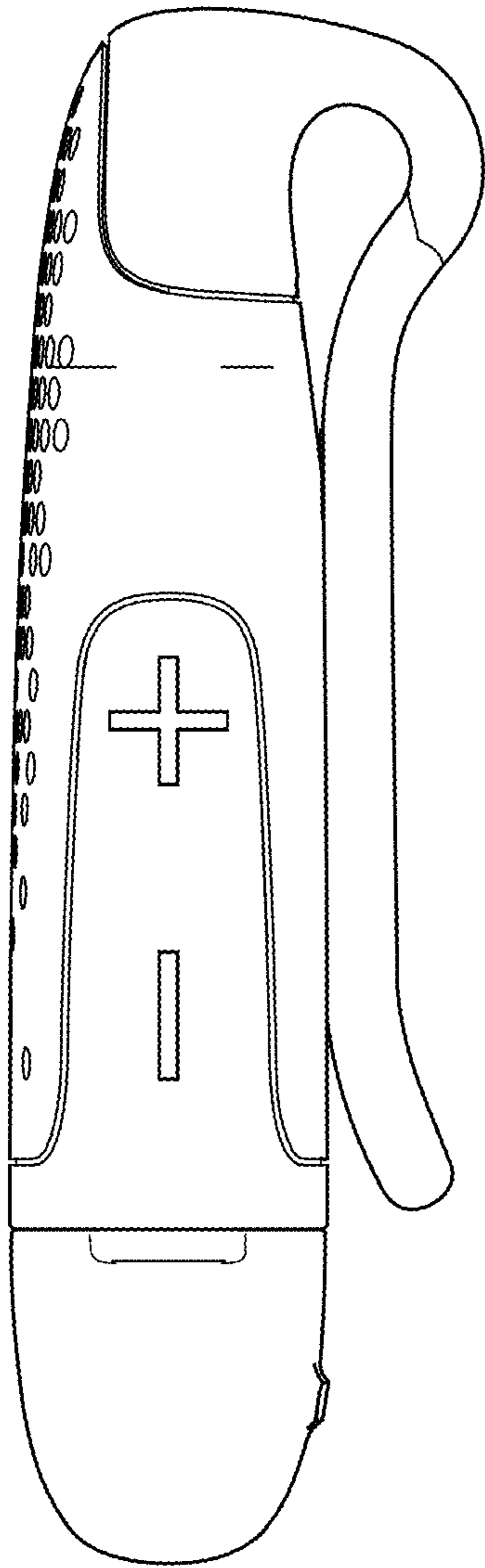


FIG. 5

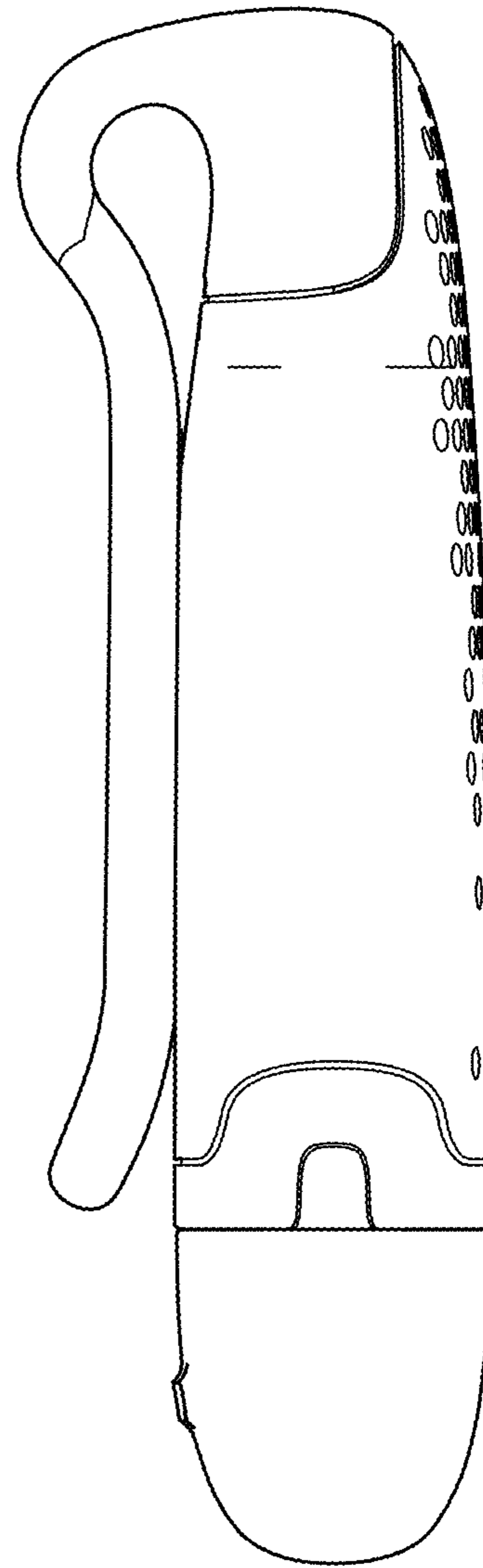


FIG. 6

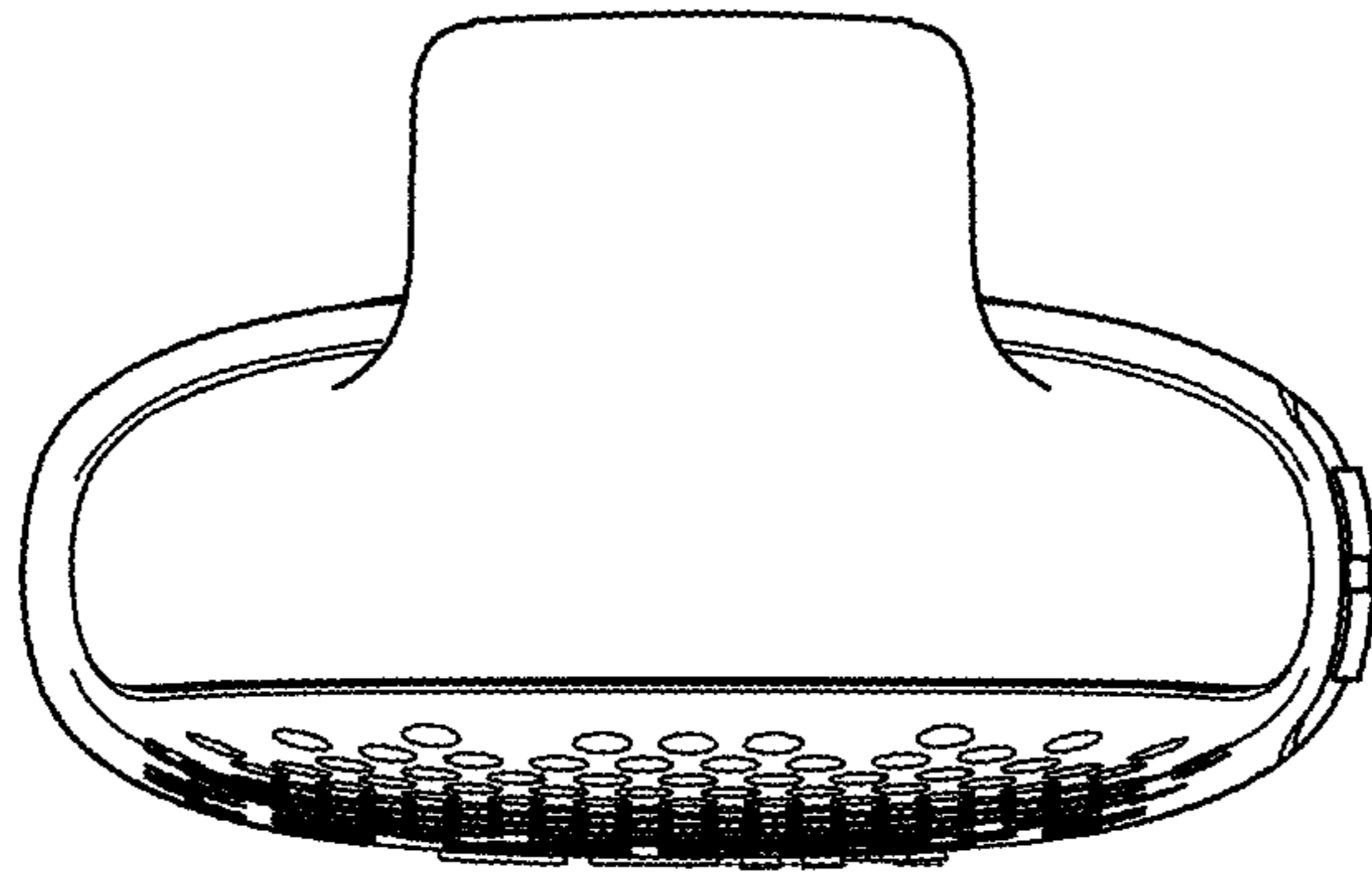


FIG. 7

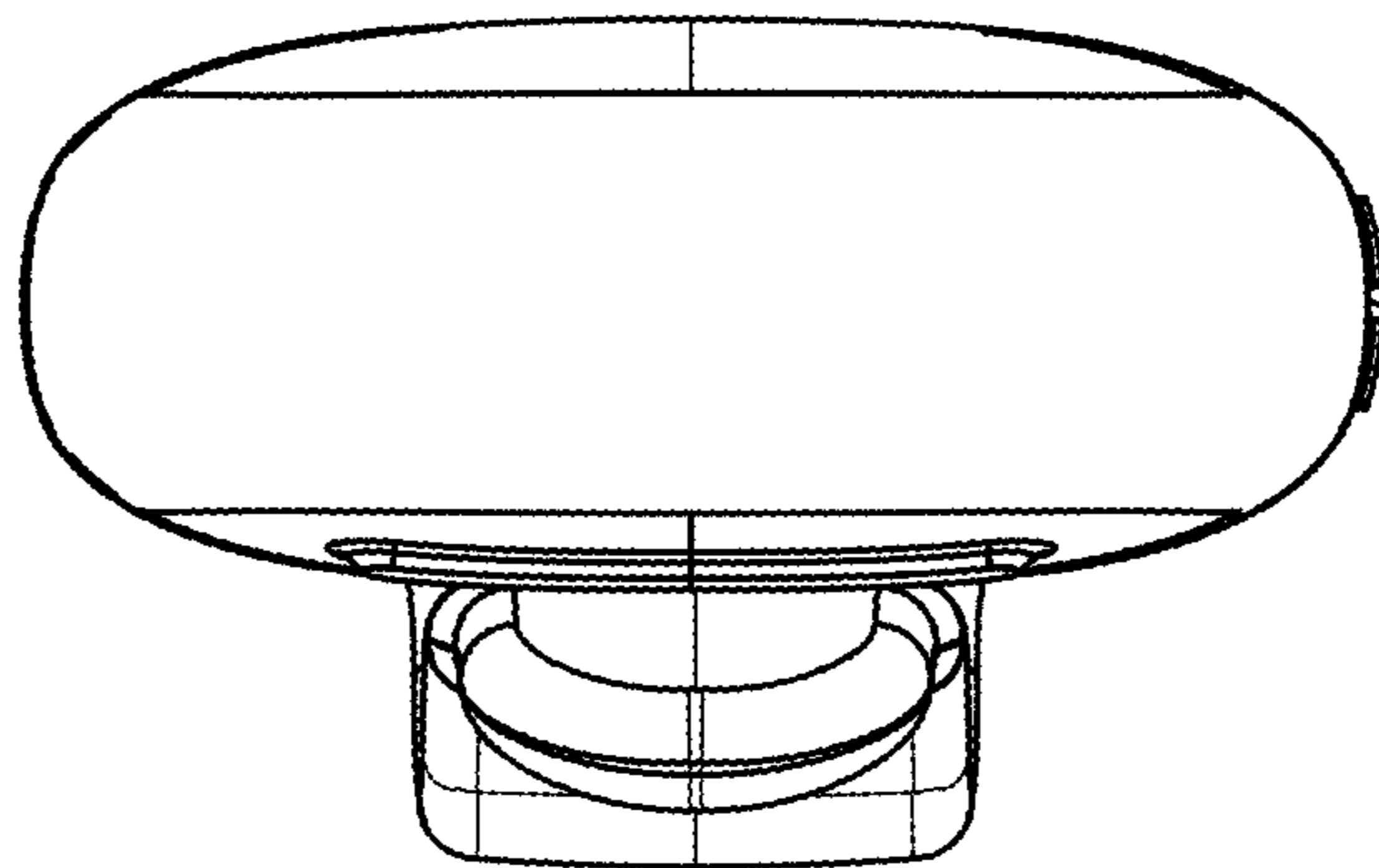


FIG. 8