



US00D798837S

(12) **United States Design Patent**
Surratt et al.

(10) **Patent No.:** **US D798,837 S**
(45) **Date of Patent:** **** Oct. 3, 2017**

(54) **SUBWOOFER**

- (71) Applicant: **Stillwater Designs and Audio, Inc.**,
Stillwater, OK (US)
- (72) Inventors: **Aaron L. Surratt**, Stillwater, OK (US);
David E. Justis, Stillwater, OK (US);
Dennis A. Hotson, Stillwater, OK (US)
- (73) Assignee: **Stillwater Designs and Audio, Inc.**,
Stillwater, OK (US)
- (**) Term: **15 Years**

(21) Appl. No.: **29/553,278**

(22) Filed: **Jan. 29, 2016**

(51) **LOC (10) Cl.** **14-01**

(52) **U.S. Cl.**
USPC **D14/214; D14/211**

(58) **Field of Classification Search**
USPC D14/168, 188, 194, 195, 196, 204, 210,
D14/211, 212, 213, 214, 215, 216
CPC B60R 11/0217; G06F 1/1688; G10K 9/22;
G10K 11/004; H03F 1/327; H04M 1/03;
H04M 1/035; H04N 5/642; H04N
21/4852; H04S 3/00; H04S 7/30; H04R
1/02; H04R 1/06; H04R 1/021; H04R
1/025; H04R 1/026; H04R 1/028; H04R
1/105; H04R 1/323; H04R 1/403; H04R
1/2803; H04R 1/2834; H04R 5/02; H04R
7/20; H04R 9/06; H04R 9/025; H04R
2201/021; H04R 2400/00; H04R 2400/07;
H04R 2499/11; H04R 2499/13; H04R
2499/15

See application file for complete search history.

(56) **References Cited**

U.S. PATENT DOCUMENTS

- D182,794 S * 5/1958 Eames D14/214
- D229,068 S * 11/1973 Engle D14/212
- D242,259 S * 11/1976 Babb et al. D14/214

(Continued)

FOREIGN PATENT DOCUMENTS

- AU 773216 B2 9/2004
- AU 2004205159 8/2006

(Continued)

OTHER PUBLICATIONS

Amazon—iLuv Compact Speakers, announced Feb. 16, 2013 (Dated via Oldest Review) [online], [site visited Mar. 3, 2017]. Available from internet, URL: <https://www.amazon.com/iLuv-Compact-USB-powered-speakers-laptop-Silver/dp/B006EF689M>.*

(Continued)

Primary Examiner — Keli L Hill

Assistant Examiner — Karra S Johnson

(74) *Attorney, Agent, or Firm* — Mary M. Lee

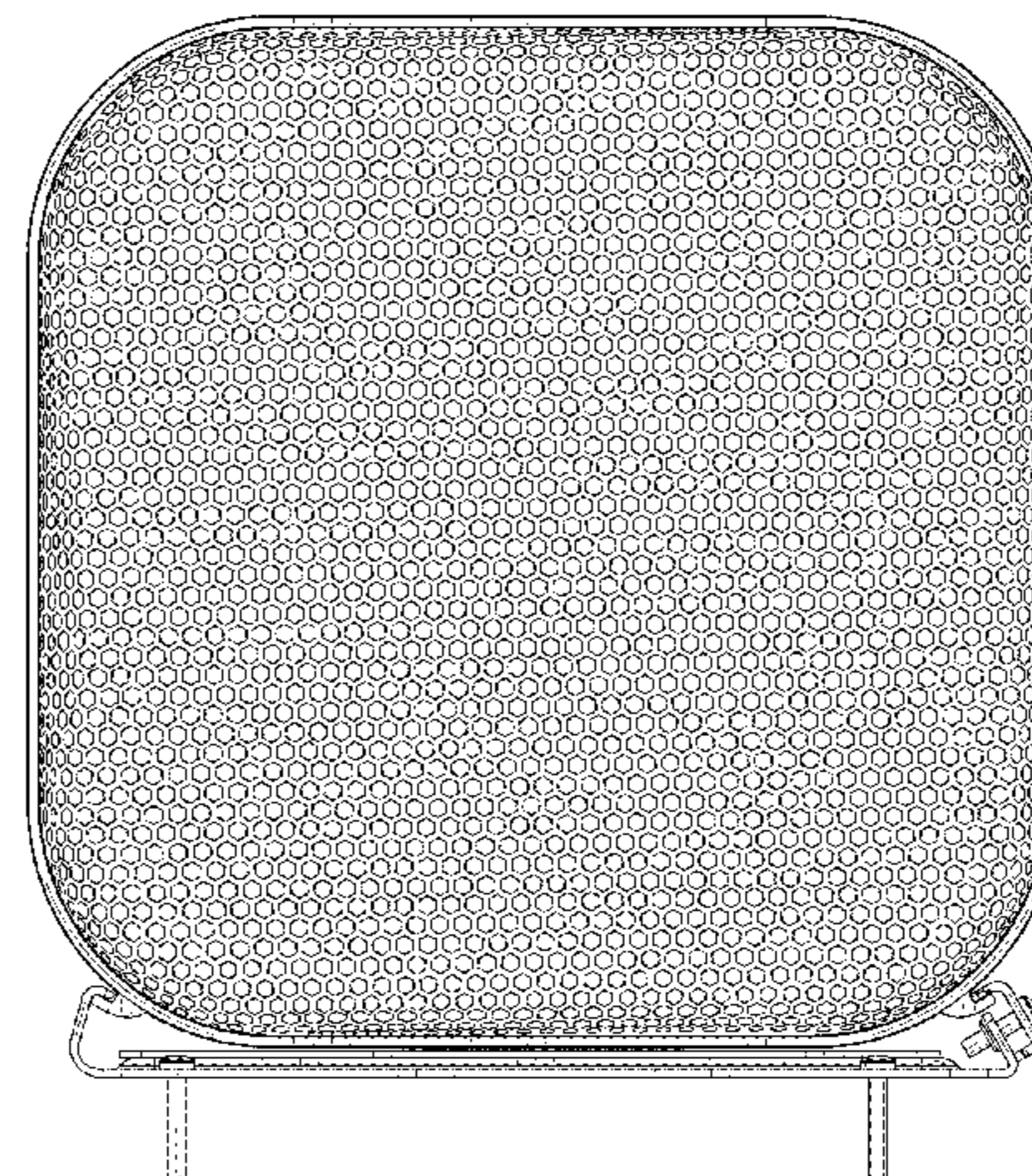
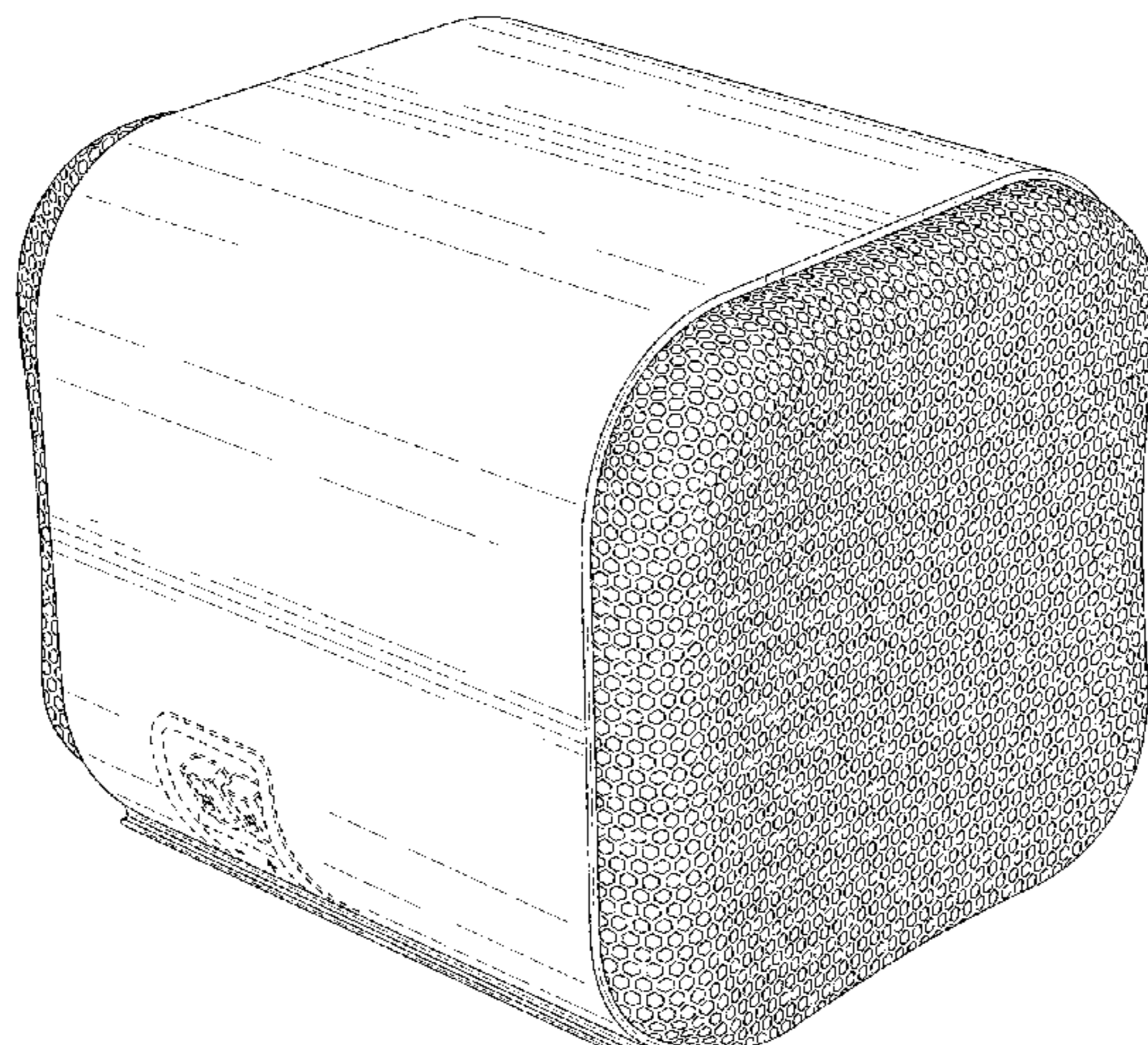
(57) **CLAIM**

The ornamental design for a subwoofer, as shown and described.

DESCRIPTION

FIG. 1 is a left frontal perspective view of a subwoofer showing our new design.
FIG. 2 is a front elevational view of the subwoofer shown in FIG. 1.
FIG. 3 is a rear elevational view of the subwoofer shown in FIG. 1.
FIG. 4 is an elevational view of the left side of the subwoofer shown in FIG. 1.
FIG. 5 is an elevational view of the right side of the subwoofer shown in FIG. 1.
FIG. 6 is a top plan view of the subwoofer shown in FIG. 1; and,
FIG. 7 is a bottom plan view of the subwoofer shown in FIG. 1.
The broken lines showing features of the subwoofer form no part of the claimed design.

1 Claim, 7 Drawing Sheets



(56)

References Cited

U.S. PATENT DOCUMENTS

D305,333 S 1/1990 Irby
 D307,015 S 4/1990 Irby
 D324,686 S * 3/1992 Strohbeen D14/210
 D355,193 S 2/1995 Irby
 D357,682 S * 4/1995 Edgell D14/214
 D449,293 S 10/2001 Irby et al.
 D451,495 S * 12/2001 McGurty D14/214
 D456,386 S 4/2002 Irby et al.
 D470,127 S * 2/2003 Inoue D14/214
 D473,216 S 4/2003 Irby et al.
 6,611,604 B1 8/2003 Irby et al.
 6,731,773 B1 5/2004 Bergbower et al.
 6,968,069 B1 11/2005 Zhao
 D557,256 S * 12/2007 Joseph D14/214
 D567,223 S * 4/2008 Carbone D14/214
 D579,443 S * 10/2008 Donovan D14/214
 D606,974 S * 12/2009 Cho D14/211
 7,916,890 B2 3/2011 Irby et al.
 3,023,688 A1 9/2011 Irby et al.
 D729,761 S * 5/2015 Hu D14/194
 D750,046 S * 2/2016 Wong D14/215
 D758,345 S * 6/2016 Fujioka D14/214
 D760,691 S * 7/2016 Paslawski D14/214
 2003/0194104 A1 10/2003 Irby et al.
 2006/0159301 A1 * 7/2006 Guenther H04R 1/2834
 381/431

2008/0075318 A1 3/2008 Zhao
 2015/0036858 A1 * 2/2015 Aboabdo H04R 1/02
 381/334
 2015/0189439 A1 * 7/2015 Starobin H04R 3/12
 381/303

FOREIGN PATENT DOCUMENTS

CA	2387939	9/2006
CN	101257733	8/2012
EP	1222839	7/2012
ID	018046	9/2006
KR	554818	2/2006
MX	227315	4/2005
MY	125083	7/2006
SG	37643	5/2005
TW	498700	12/2002
WO	0131975 A2	5/2001

OTHER PUBLICATIONS

Portable Bluetooth Cube Speaker, announced Aug. 14, 2014 (Dated via WayBack Machine) [online], [site visited Mar. 3, 2017]. Available from internet, URL: <<https://web.archive.org/web/20130814095058/http://www.gogotech.com.au/product/music-sound/123/portable-bluetooth-cube-speaker>>.*

* cited by examiner

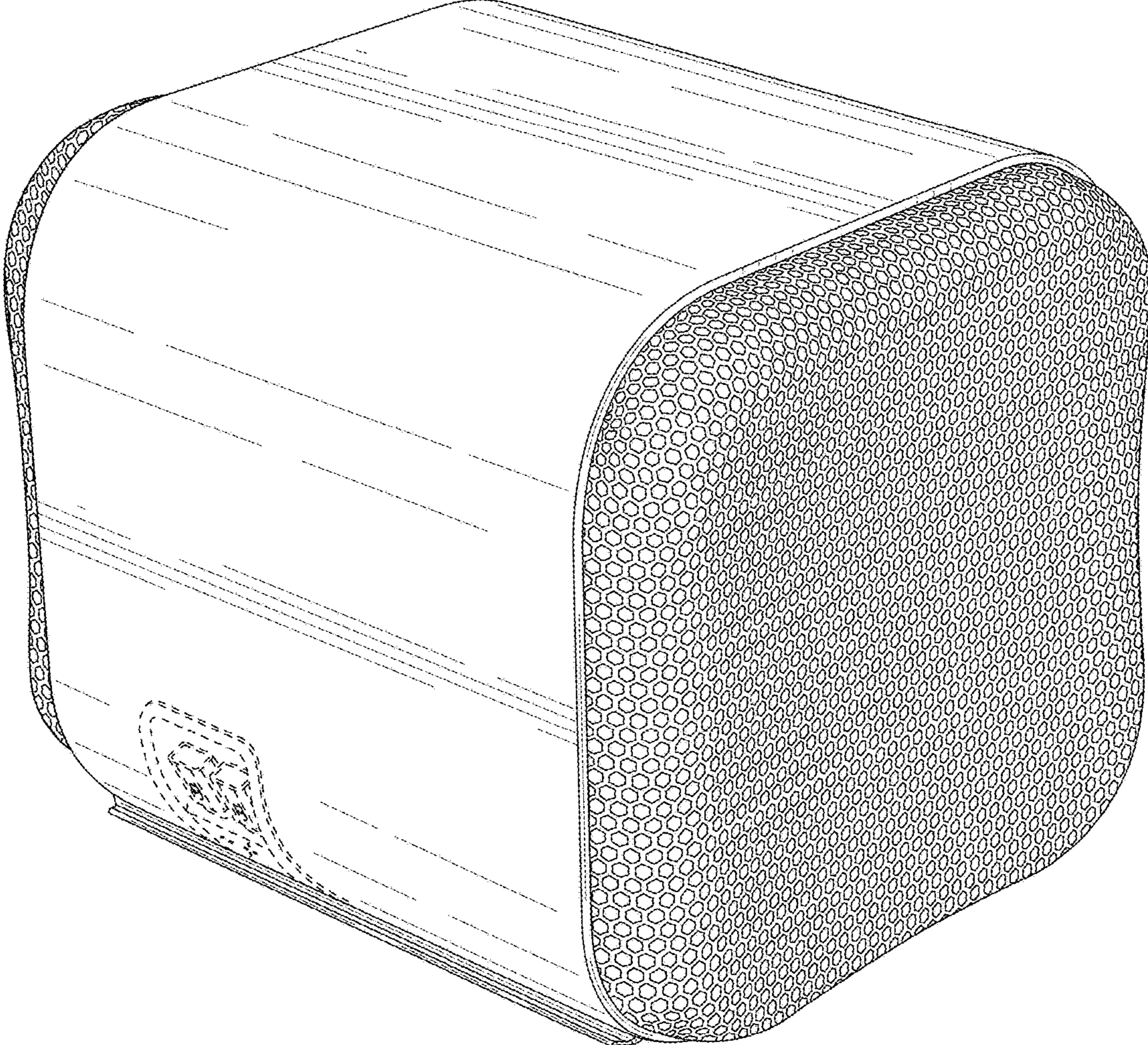


FIG. 1



FIG. 2



FIG. 3

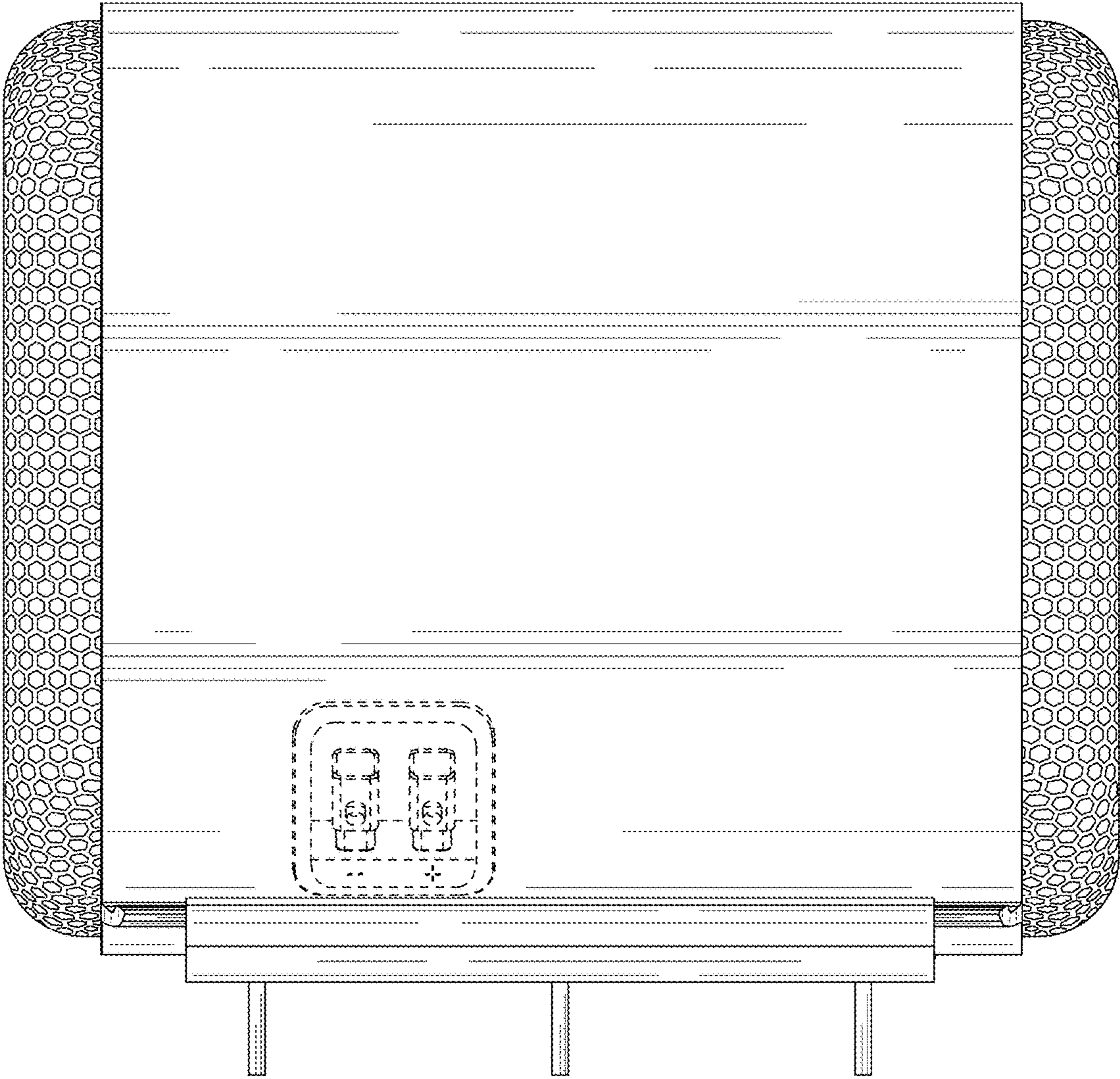


FIG. 4

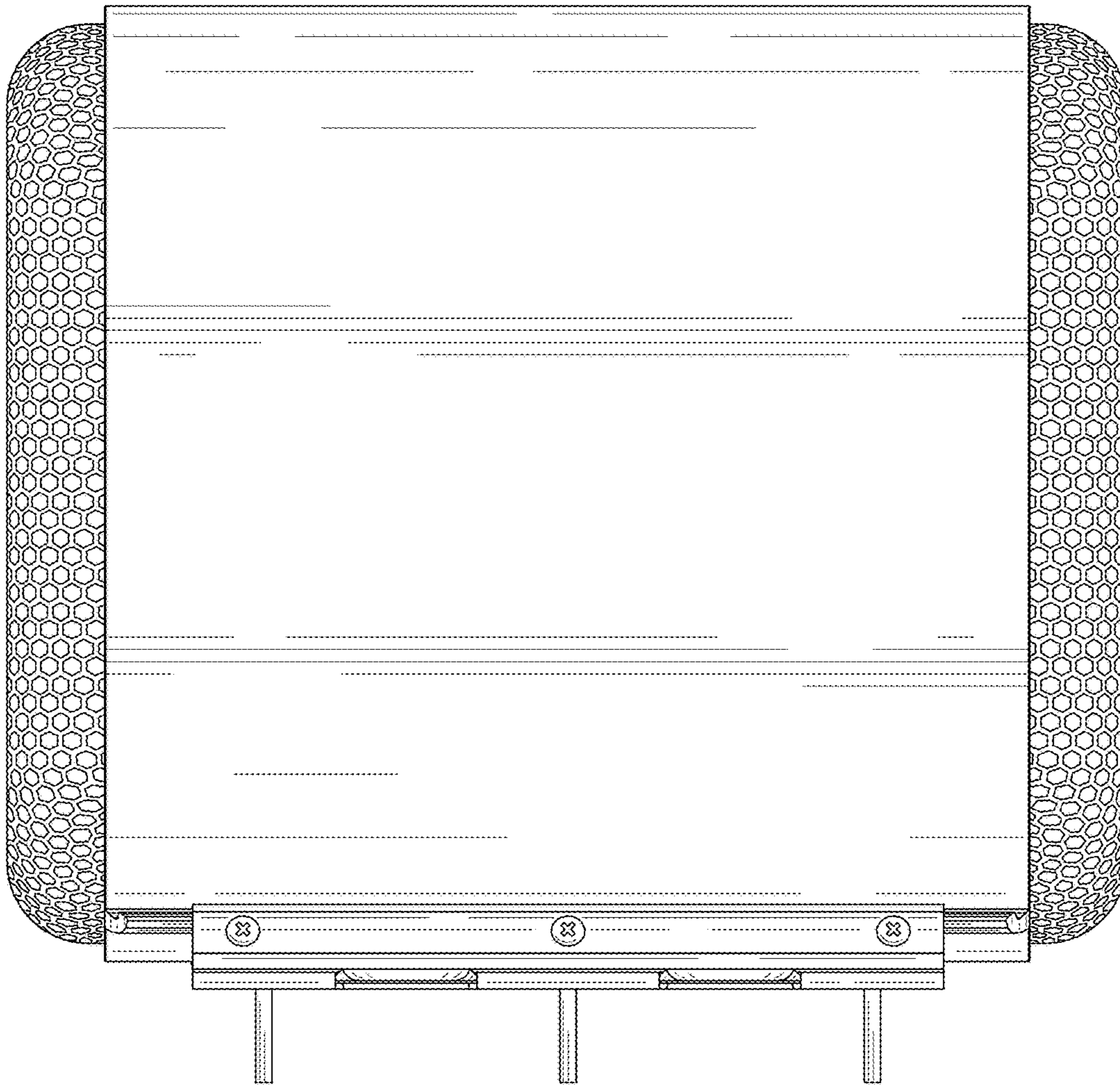


FIG. 5

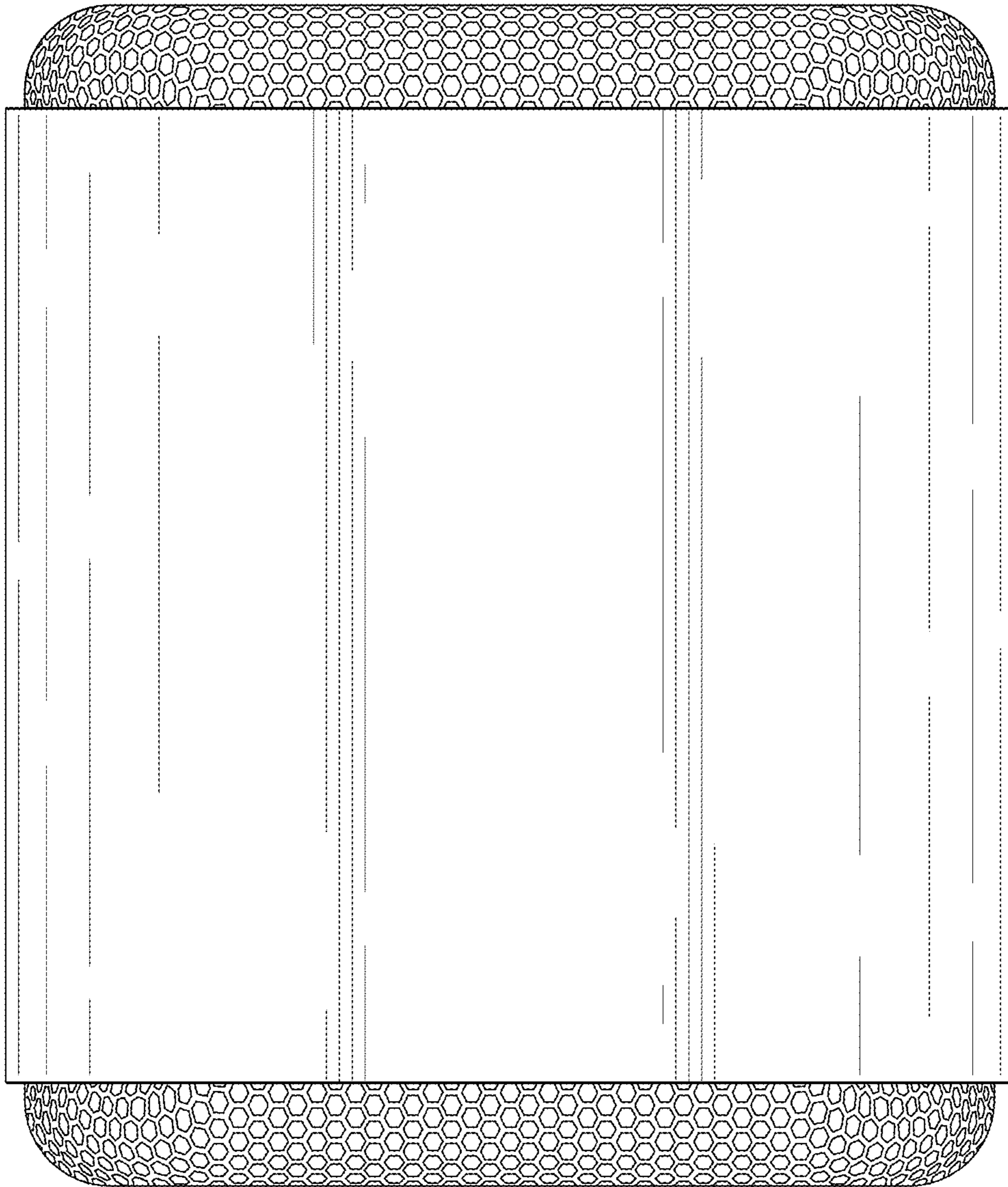


FIG. 6

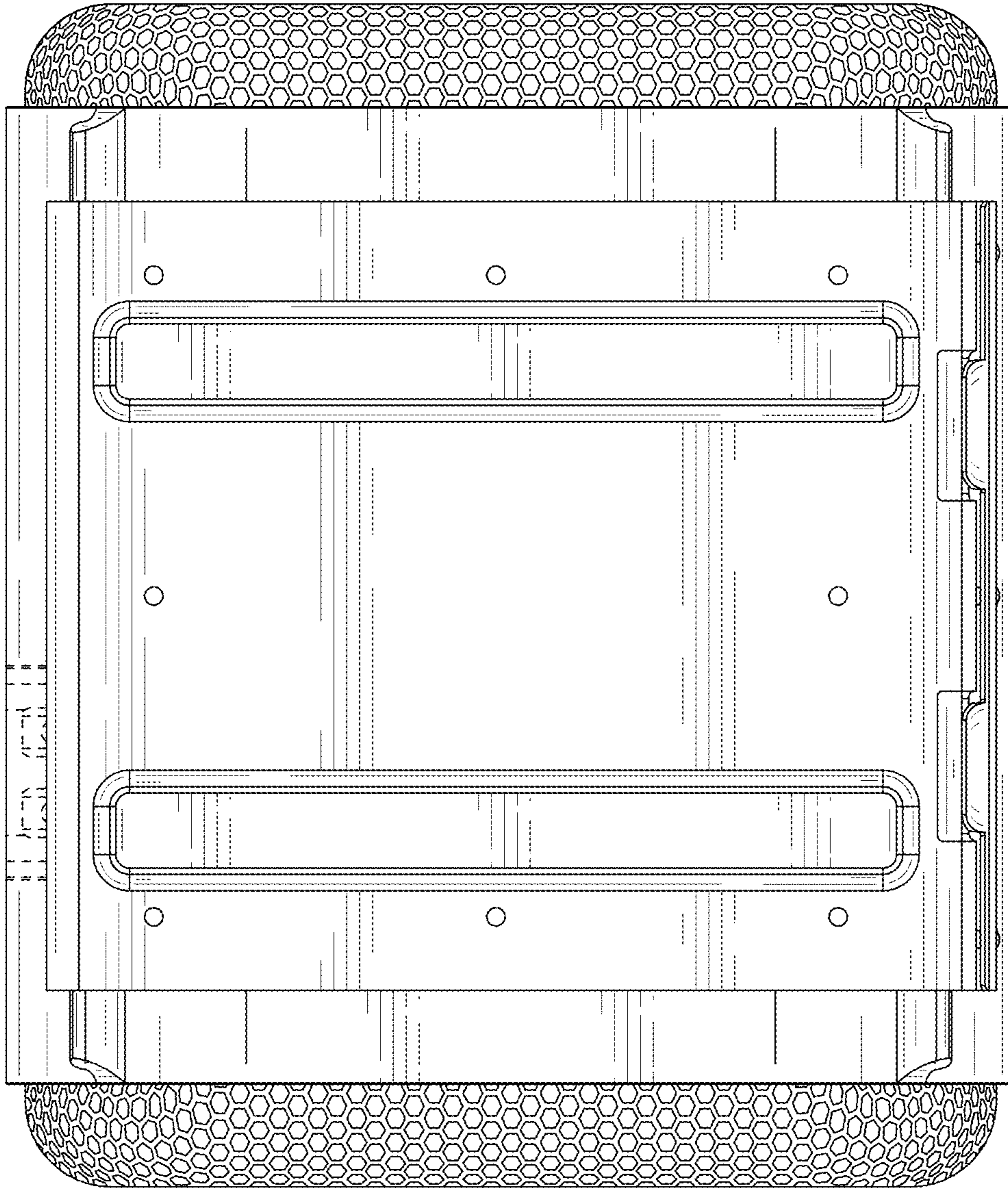


FIG. 7