



US00D798836S

(12) **United States Design Patent** (10) **Patent No.:** **US D798,836 S**
Jung et al. (45) **Date of Patent:** **** Oct. 3, 2017**

(54) **SPEAKER**

FOREIGN PATENT DOCUMENTS

(71) Applicant: **Samsung Electronics Co., Ltd.**,
Suwon-si (KR)

CN 201030684271.6 6/2011
KR 30-2014-0008196 5/2015

(72) Inventors: **Donghyun Jung**, Seoul (KR); **Wook Hyoung Lee**, Suwon-si (KR); **Yong Sun Cho**, Suwon-si (KR); **Jiho Chang**, Suwon-si (KR); **Dongkyu Park**, Hwaseong-si (KR); **Haekwang Park**, Suwon-si (KR); **Eunmi Oh**, Seoul (KR); **Yoonjae Lee**, Seoul (KR); **Donghyun Lim**, Anyang-si (KR); **Jaeyoun Cho**, Suwon-si (KR)

OTHER PUBLICATIONS

Audioholics—Pioneer Speaker, announced May 25, 2010 [online], [site visited Jun. 8, 2017]. Available from internet, URL: <http://www.audioholics.com/gadget-reviews/pioneer-xw-nav1k-k-nav1-nac1-nac3-nas3>.*

(Continued)

(73) Assignee: **Samsung Electronics Co., Ltd.**,
Suwon-si (KR)

Primary Examiner — Keli L Hill
Assistant Examiner — Karra S Johnson
(74) *Attorney, Agent, or Firm* — NSIP Law

(**) Term: **15 Years**

(57) **CLAIM**

We claim the ornamental design for a speaker, as shown and described.

(21) Appl. No.: **29/547,228**

DESCRIPTION

(22) Filed: **Dec. 2, 2015**

(30) **Foreign Application Priority Data**

Jul. 24, 2015 (KR) 30-2015-0037461

(51) **LOC (10) Cl.** **14-01**

(52) **U.S. Cl.**
USPC **D14/210; D14/211**

(58) **Field of Classification Search**
USPC D14/168, 188, 194, 195, 196, 204, 210,
D14/211, 212, 213, 214, 215, 216
(Continued)

FIG. 1 is a front perspective view of a speaker showing our new design;
FIG. 2 is a front view thereof;
FIG. 3 is a rear view thereof;
FIG. 4 is a left-side view thereof;
FIG. 5 is a right-side view thereof;
FIG. 6 is a top view thereof;
FIG. 7 is a bottom view thereof;
FIG. 8 is a partial cross-sectional view thereof taken through the vertical center in FIG. 4, showing the cross-section of the transparent upper case and the horn portion; and,
FIG. 9 is an enlarged view of the encircled portion shown in FIG. 1.

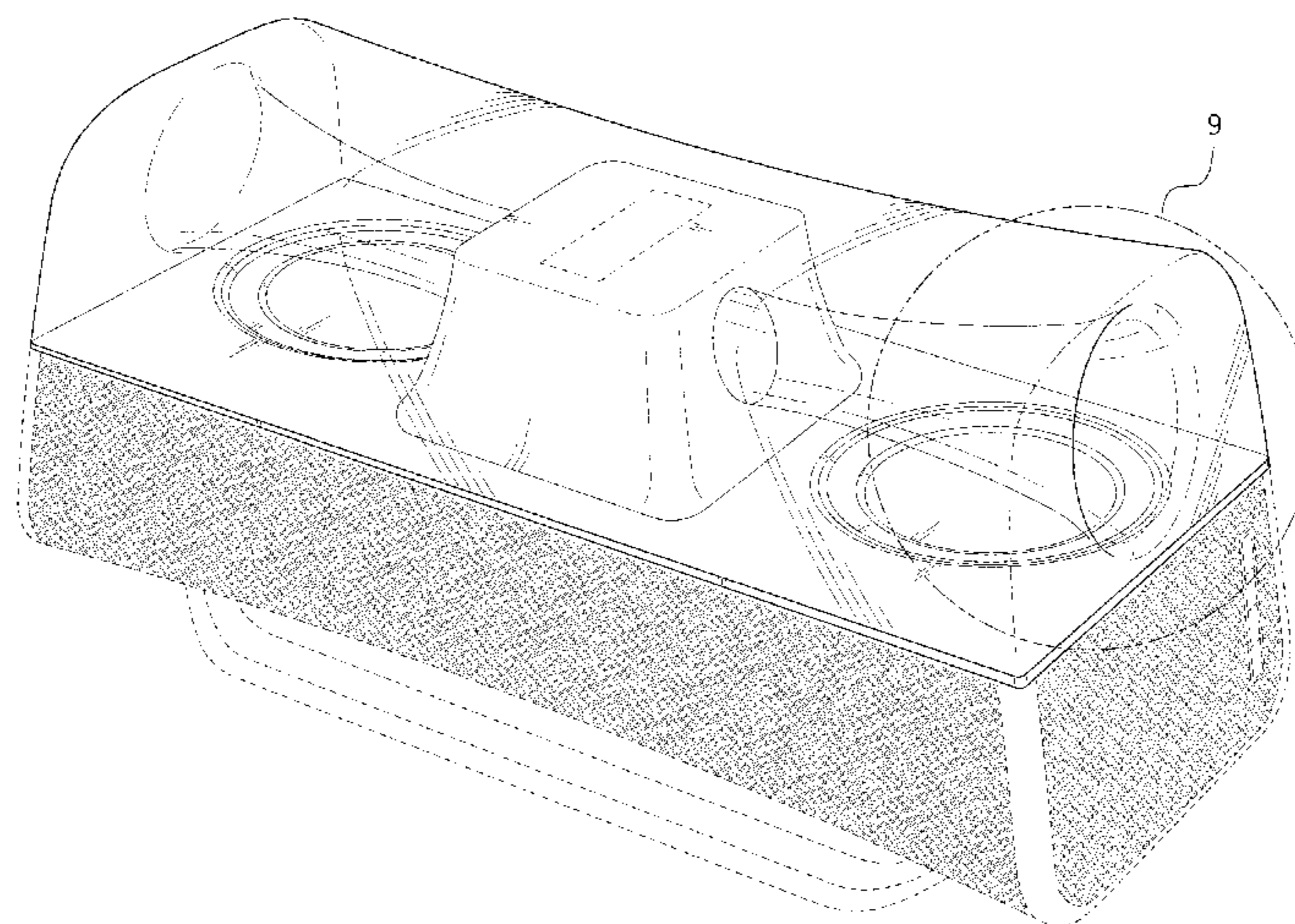
(56) **References Cited**

U.S. PATENT DOCUMENTS

D147,643 S * 10/1947 Erskine D14/195
D221,899 S * 9/1971 Benjamin D14/196
(Continued)

The short dash-dash broken lines in the figures show portions of the speaker which form no part of the claimed design.
The dot-dot-dash broken lines encircling portions of the claimed design that are illustrated in enlargements form no part of the claimed design.

1 Claim, 9 Drawing Sheets



(58) **Field of Classification Search**

CPC B60R 11/0217; G06F 1/1688; G10K 9/22;
G10K 11/004; H03F 1/327; H04M 1/03;
H04M 1/035; H04N 5/642; H04N
21/4852; H04S 3/00; H04S 7/30; H04R
1/02; H04R 1/06; H04R 1/021; H04R
1/025; H04R 1/026; H04R 1/028; H04R
1/105; H04R 1/323; H04R 1/403; H04R
1/2803; H04R 1/2834; H04R 5/02; H04R
7/20; H04R 9/06; H04R 9/025; H04R
2201/021; H04R 2400/00; H04R 2400/07;
H04R 2499/11; H04R 2499/13; H04R
2499/15

See application file for complete search history.

(56) **References Cited**

U.S. PATENT DOCUMENTS

D222,477	S	*	10/1971	Wada et al.	D14/214
D222,814	S	*	1/1972	Teller, Jr.	D14/196
D318,668	S	*	7/1991	Hervatin	D14/168
D528,535	S	*	9/2006	Ng	D14/168
D636,378	S	*	4/2011	Ohashi	D14/168
D676,418	S		2/2013	Suzuki		
D743,377	S	*	11/2015	Mackiewicz	D14/216
D748,072	S	*	1/2016	Jones	D14/204
D753,093	S	*	4/2016	Garfio	D14/214

OTHER PUBLICATIONS

Benton Trerise. "X-mini launches speaker with sound so Clear it's visible". [2014] www.androidguys.com Oct. 29, 2014. <<http://www.androidguys.com/2014/10/x-mini-launches-speaker-sound-clear-visible/>>.

* cited by examiner

FIG. 1

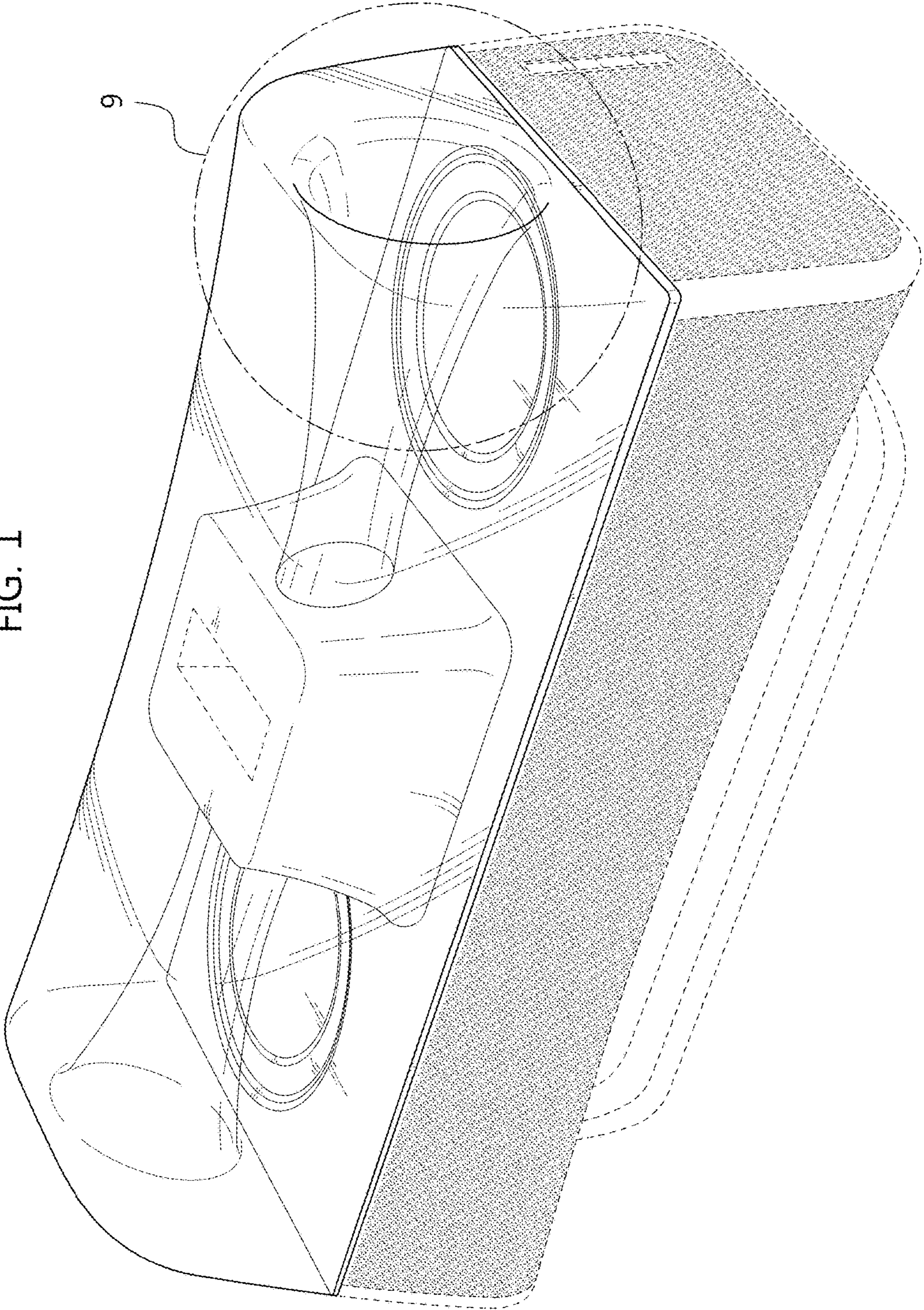


FIG. 2

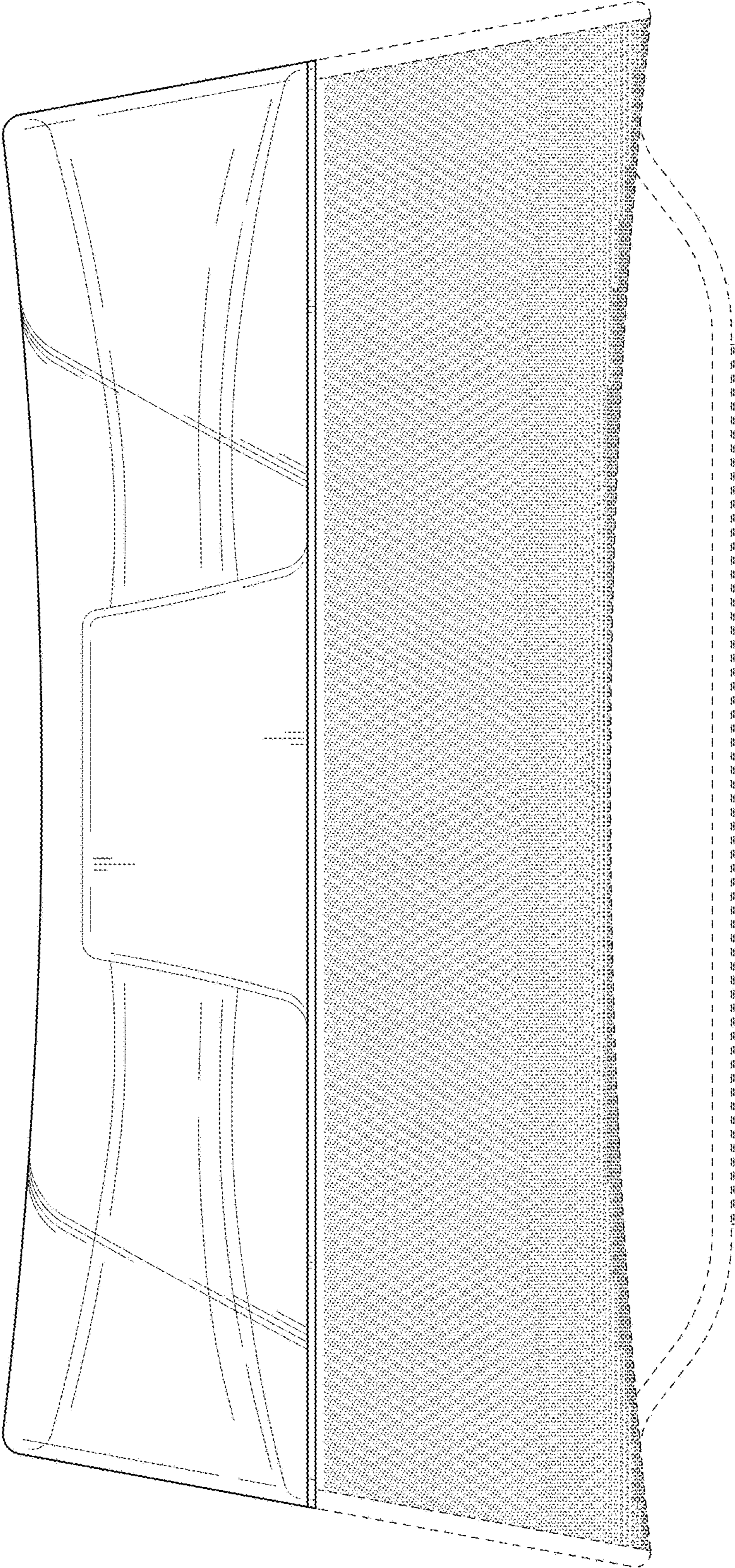


FIG. 3

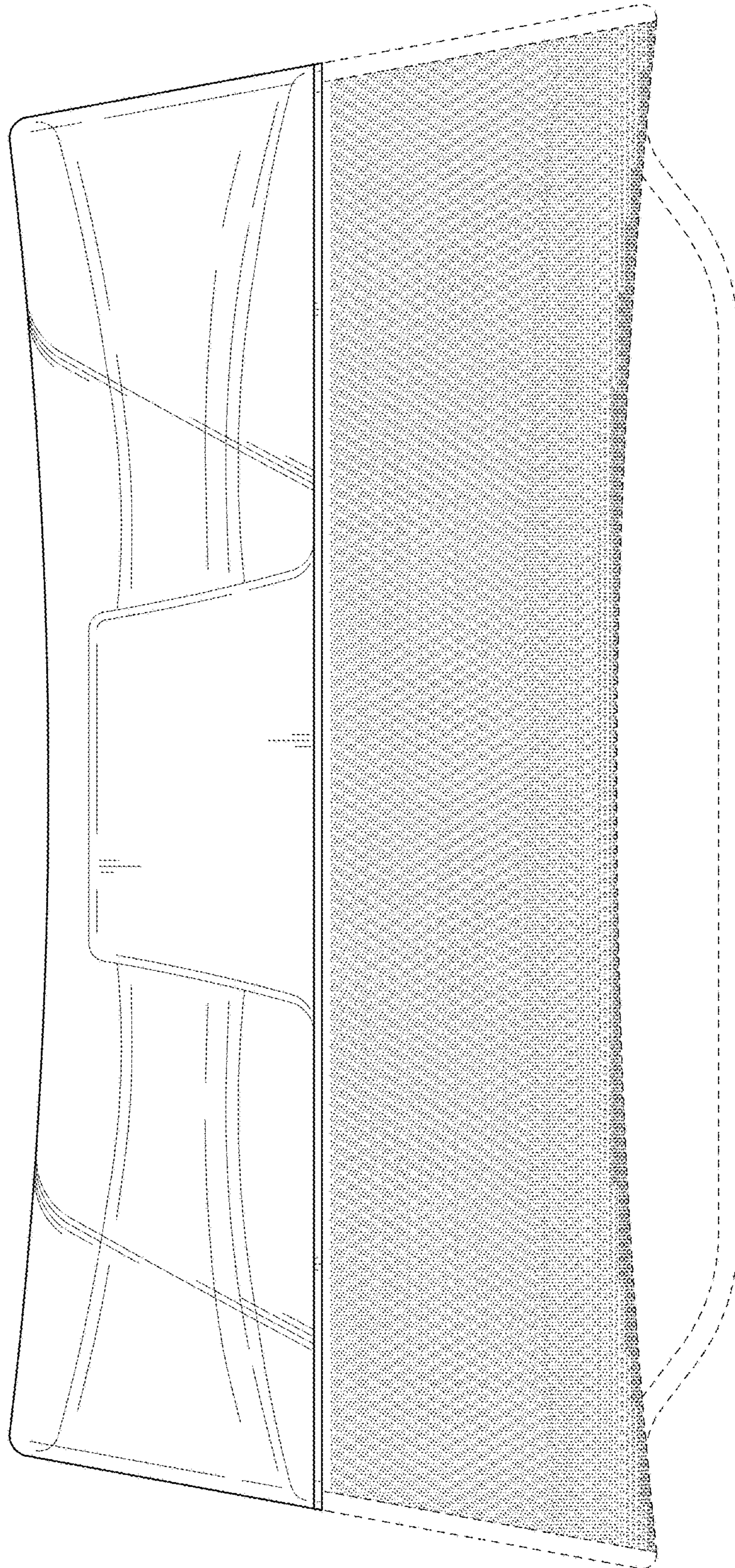


FIG. 4

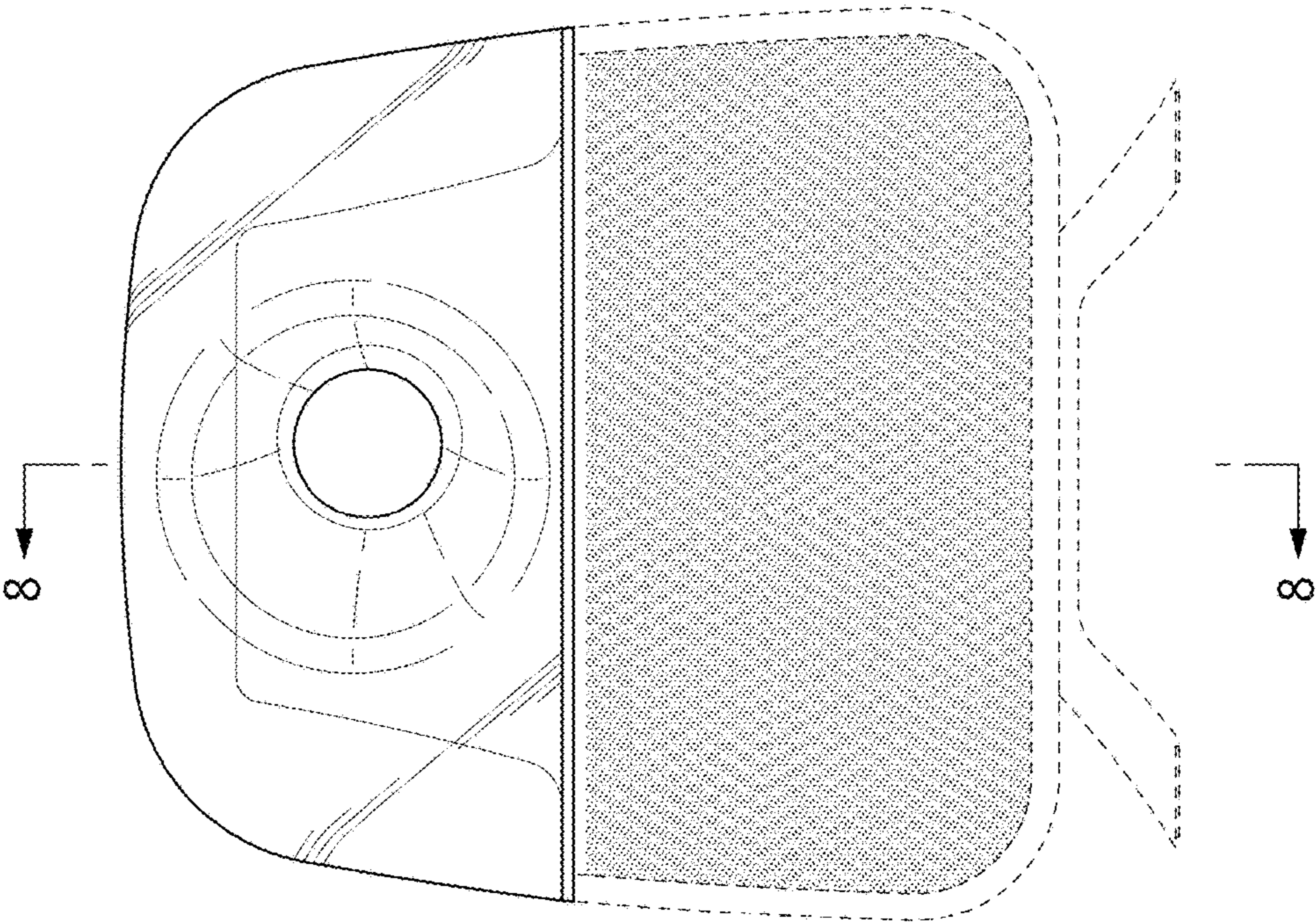


FIG. 5

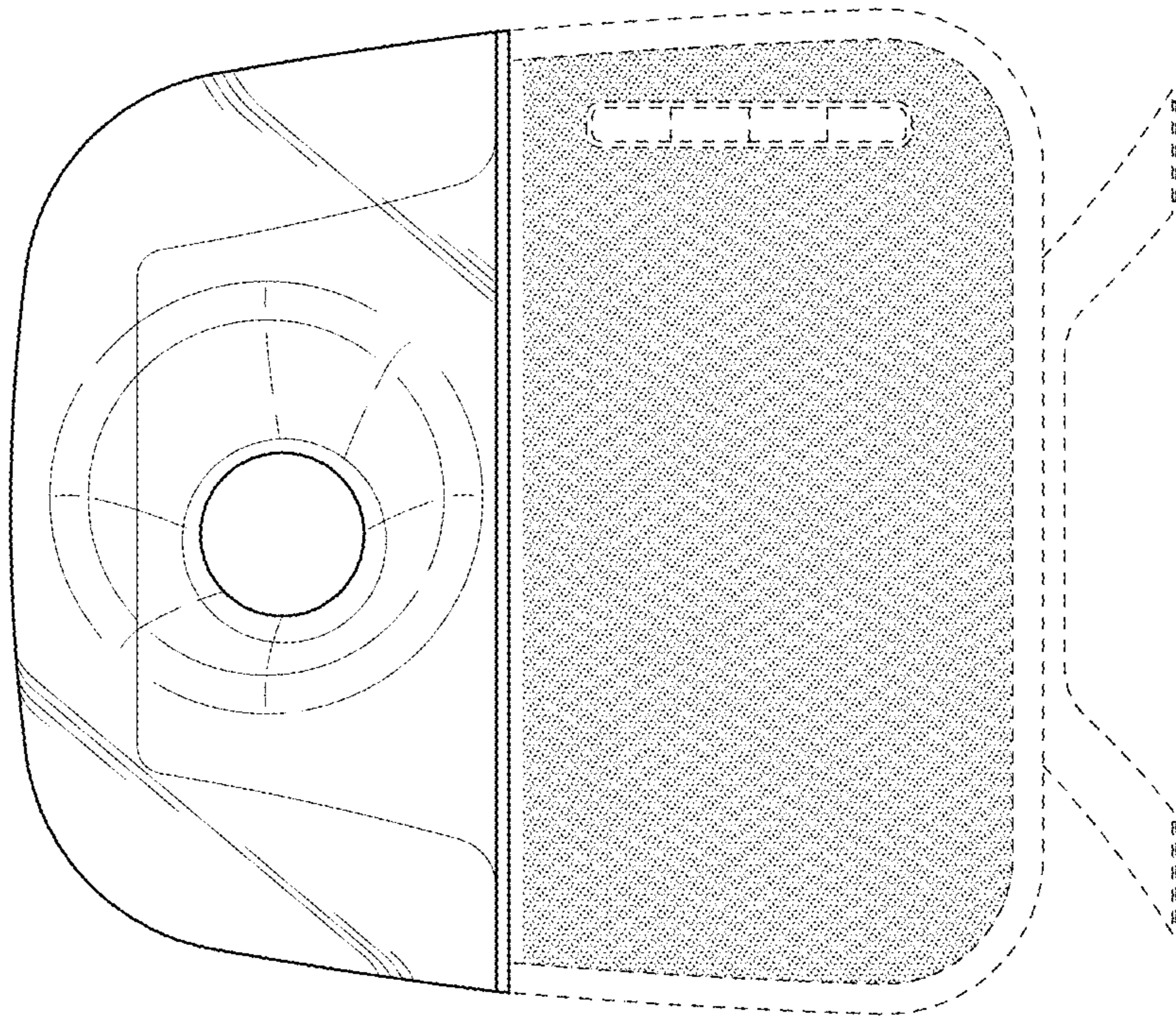


FIG. 6

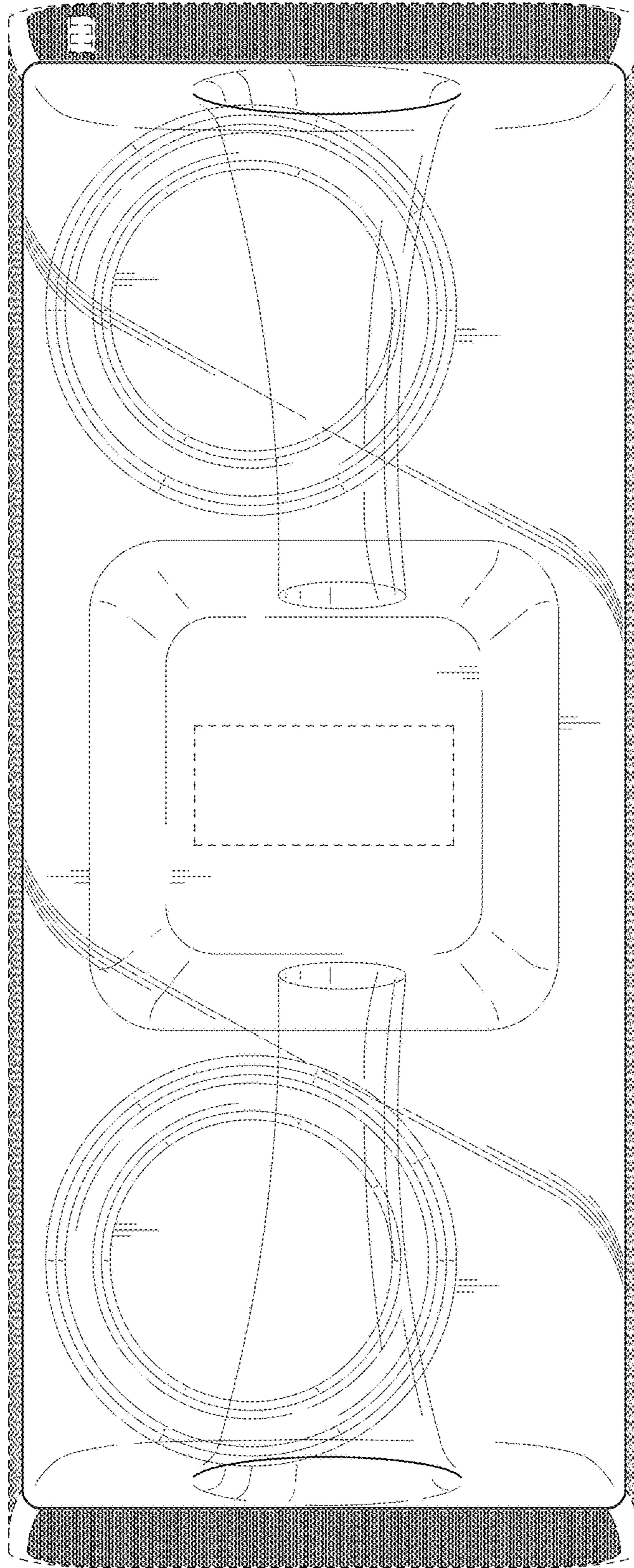


FIG. 7

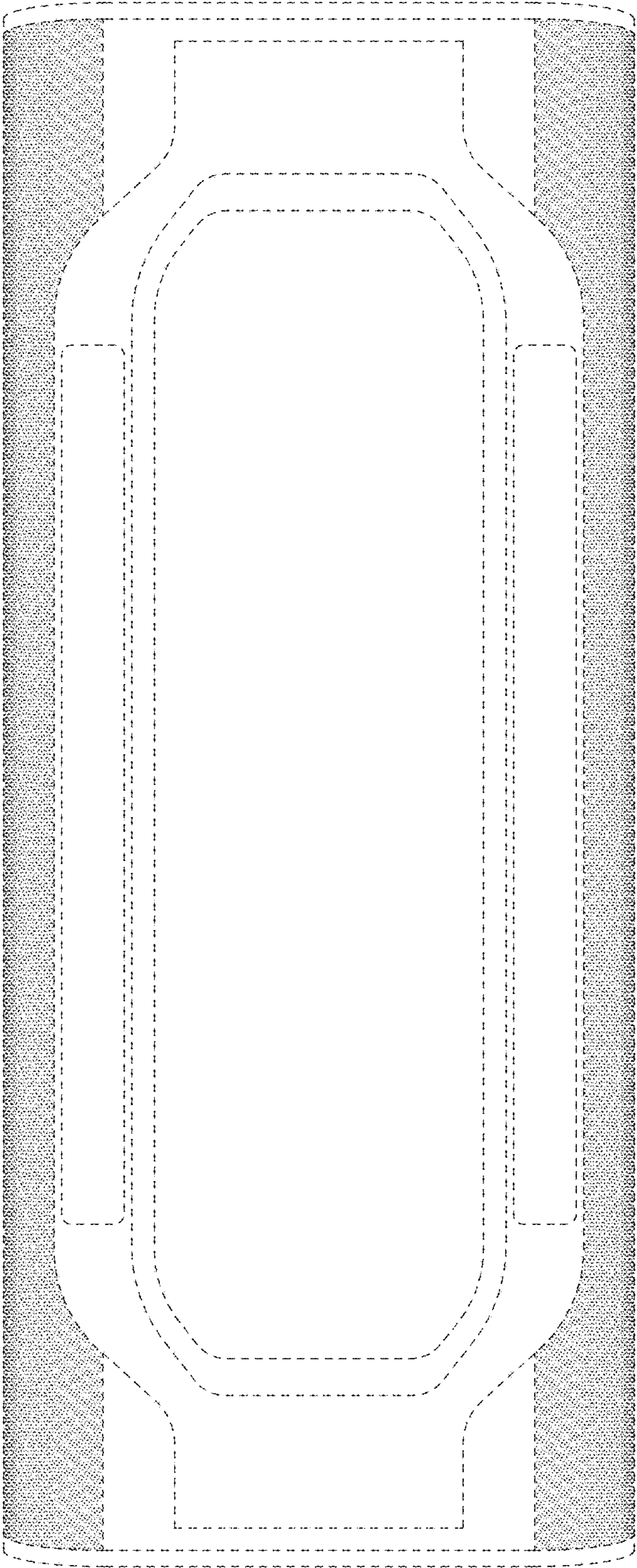


FIG. 8

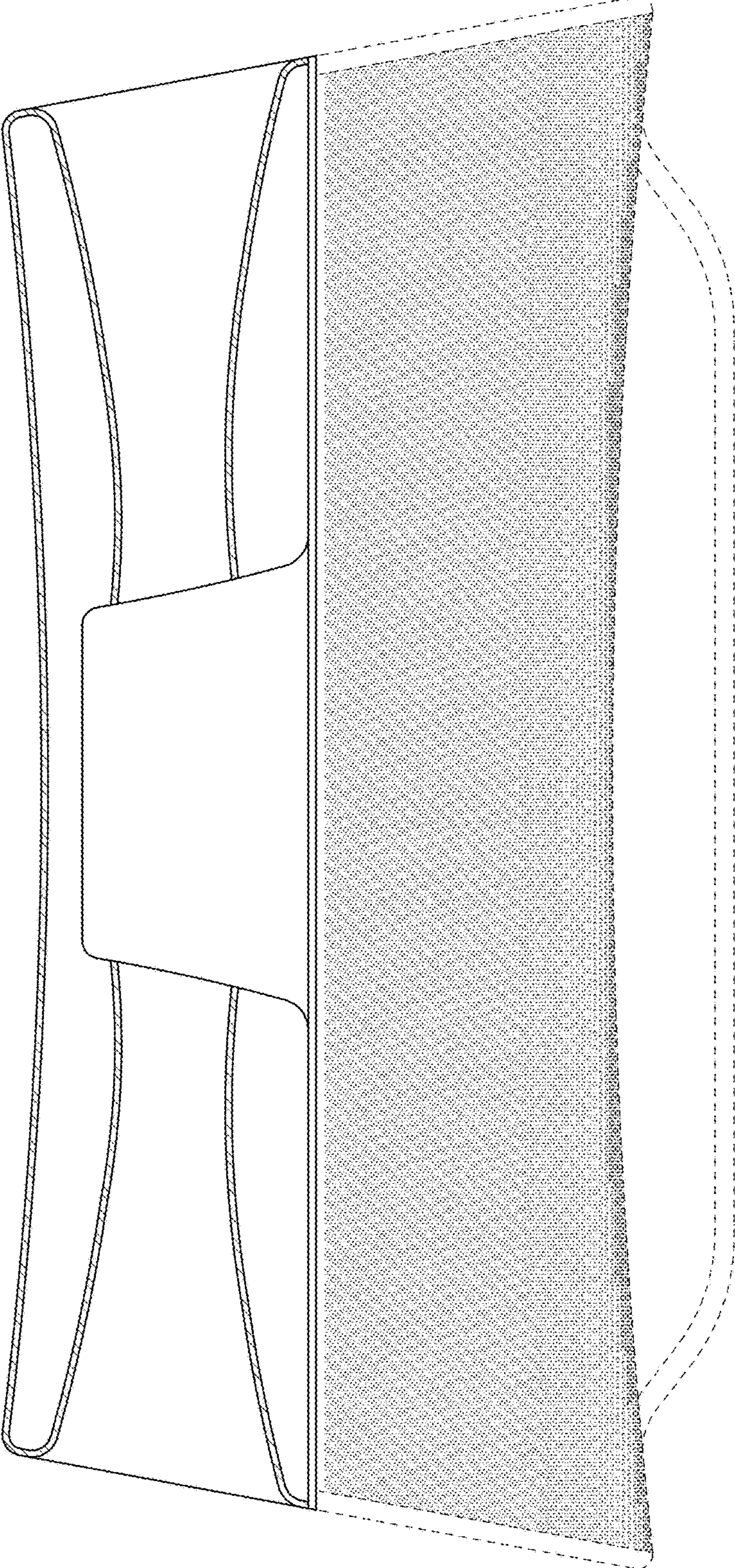


FIG. 9

