



US00D798828S

(12) **United States Design Patent**  
**Maloney et al.**

(10) **Patent No.:** **US D798,828 S**

(45) **Date of Patent:** **\*\* Oct. 3, 2017**

(54) **GUARD MEMBER**

(71) Applicant: **EATON CORPORATION**, Cleveland, OH (US)

(72) Inventors: **James Gerard Maloney**, Industry, PA (US); **Alexis Rodriguez Rodriguez**, Santo Domingo (DO); **Luis Enrique Betances Sansur**, Santo Domingo (DO)

(73) Assignee: **EATON CORPORATION**, Cleveland, OH (US)

(\*\*) Term: **15 Years**

(21) Appl. No.: **29/578,690**

(22) Filed: **Sep. 23, 2016**

(51) **LOC (10) Cl.** ..... **13-03**

(52) **U.S. Cl.**

USPC ..... **D13/173**

(58) **Field of Classification Search**

USPC ..... D13/173, 177, 178; D8/394

CPC ..... H01H 3/022; H01H 9/20; H01H 9/28;

H01H 9/282; H01H 9/283; H01H 9/287;

H01H 2300/024

See application file for complete search history.

(56) **References Cited**

**U.S. PATENT DOCUMENTS**

3,746,818 A \* 7/1973 Bertelloti ..... H01H 9/287  
200/304

D440,948 S \* 4/2001 Bianco, Sr. .... D13/173

D721,045 S \* 1/2015 Gratz ..... D13/173

9,177,734 B2 \* 11/2015 Todd ..... H01H 9/02

2003/0010613 A1 \* 1/2003 Quapil ..... H01H 21/22

200/43.01

2012/0047973 A1\* 3/2012 Su ..... G05G 5/02

70/174

2015/0129396 A1\* 5/2015 Santos ..... H01H 9/285

200/43.18

2015/0179368 A1\* 6/2015 Roe ..... H01H 3/022

200/334

\* cited by examiner

*Primary Examiner* — Selina Sikder

(74) *Attorney, Agent, or Firm* — Eckert Seamans; John Powers; Grant Coffield

(57) **CLAIM**

The ornamental design for a guard member, as shown and described.

**DESCRIPTION**

FIG. 1 is a front isometric view of a guard member in accordance with an embodiment of the disclosed concept; FIG. 2 is a rear isometric view of the guard member of FIG. 1;

FIG. 3 is a right side elevational view of the guard member of FIG. 1;

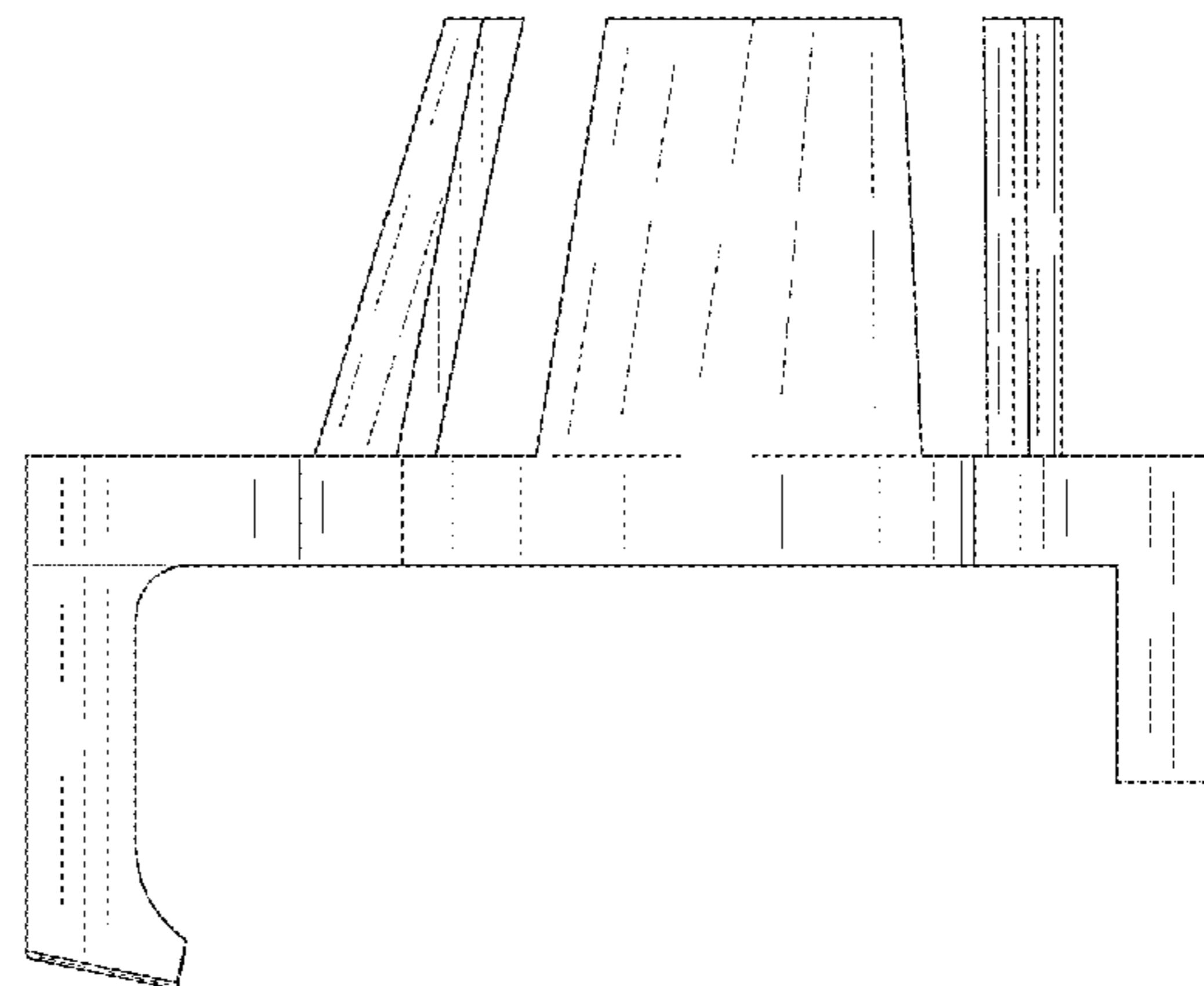
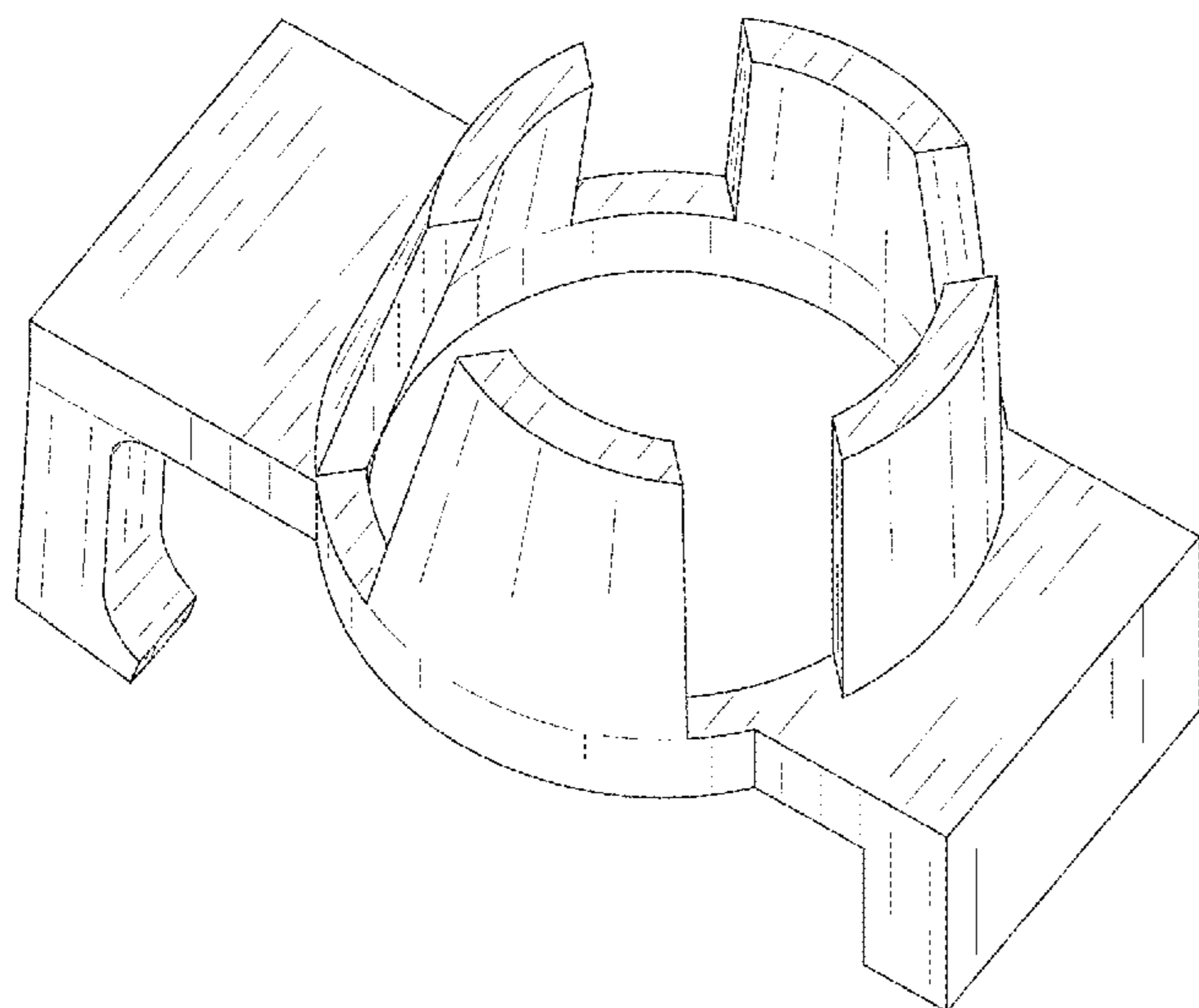
FIG. 4 is a left side elevational view of the guard member of FIG. 1;

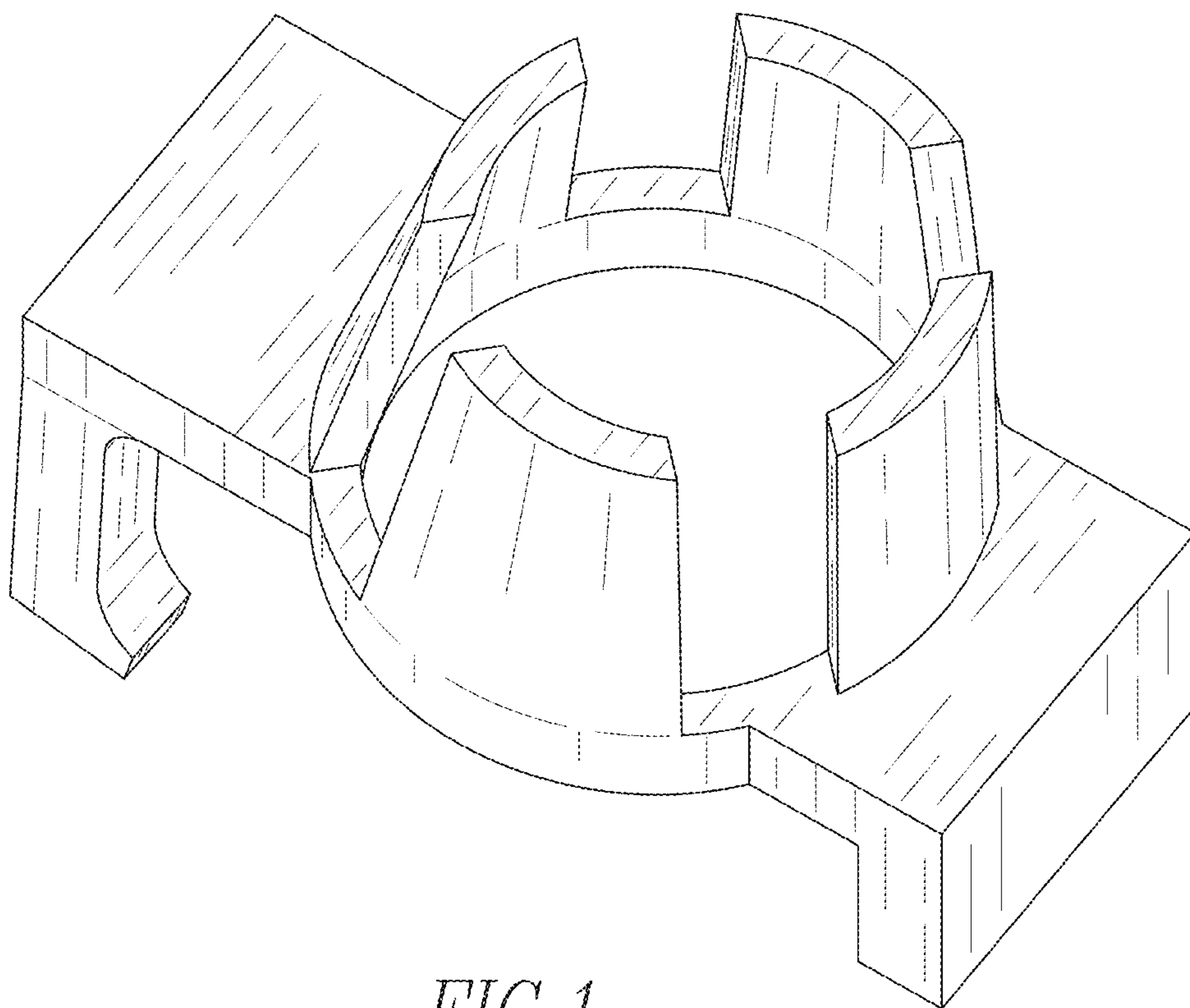
FIG. 5 is a front elevational view of the guard member of FIG. 1;

FIG. 6 is a back elevational view of the guard member of FIG. 1;

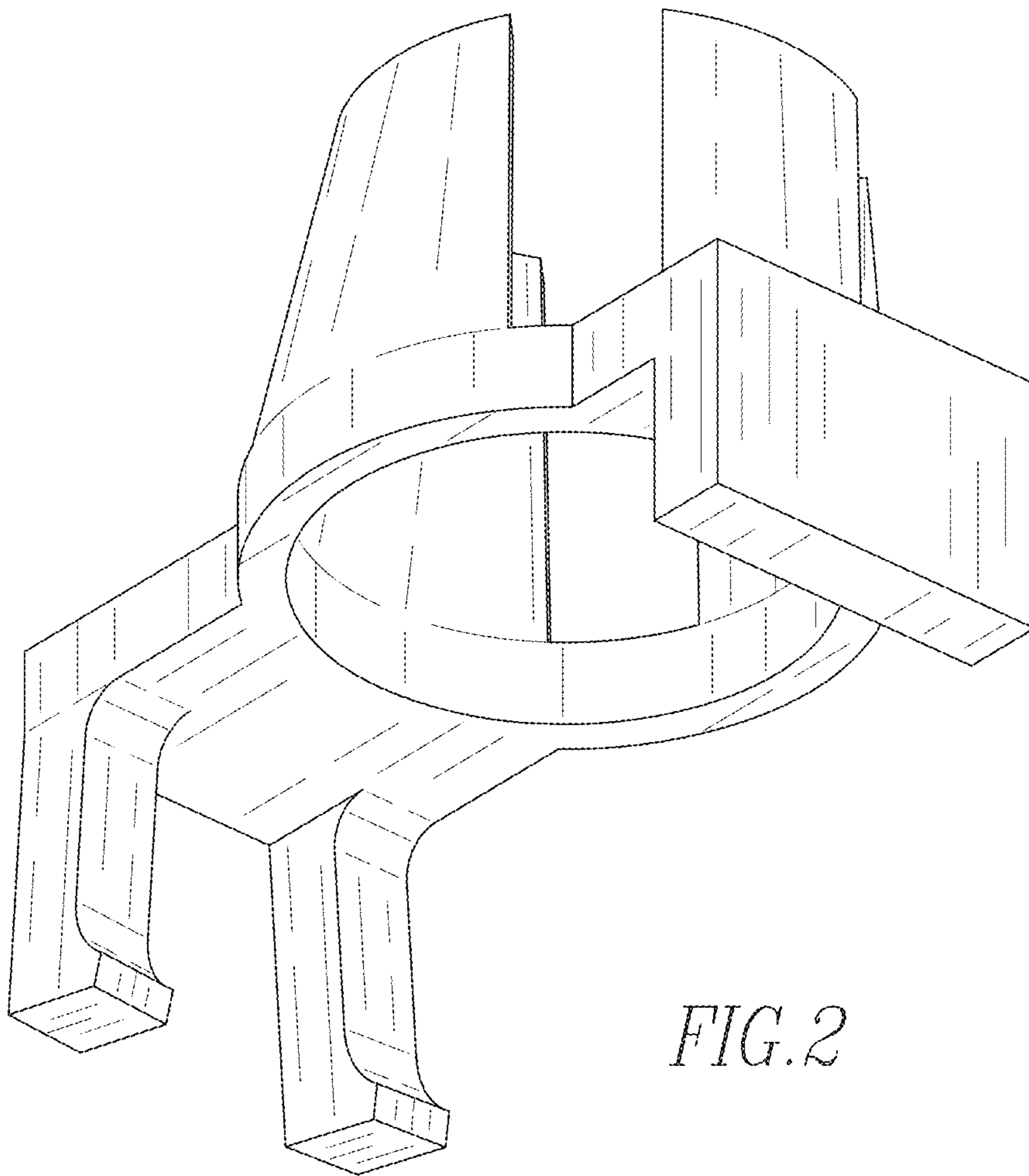
FIG. 7 is a top plan view of the guard member of FIG. 1; and, FIG. 8 is a bottom plan view of the guard member of FIG. 1.

**1 Claim, 5 Drawing Sheets**

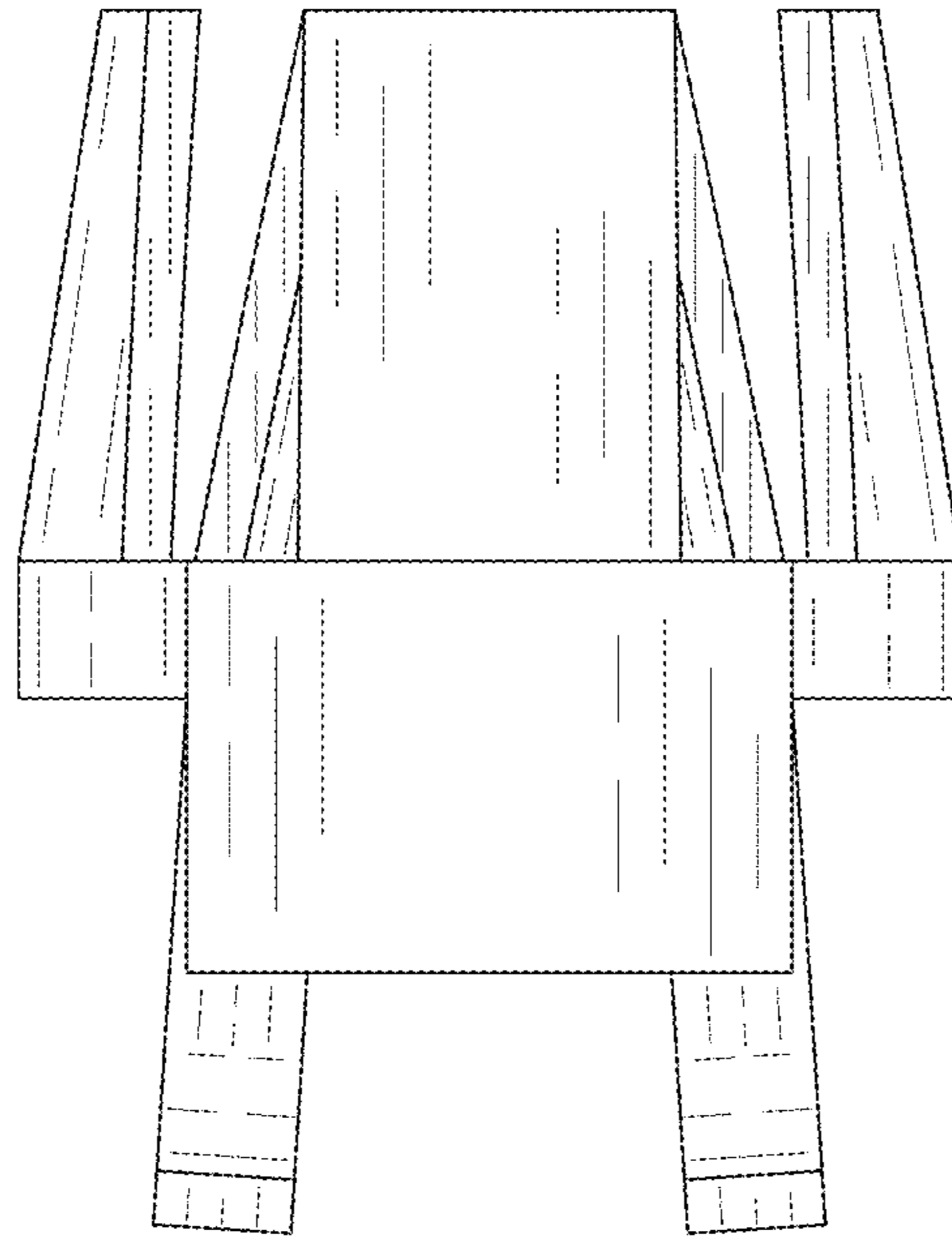




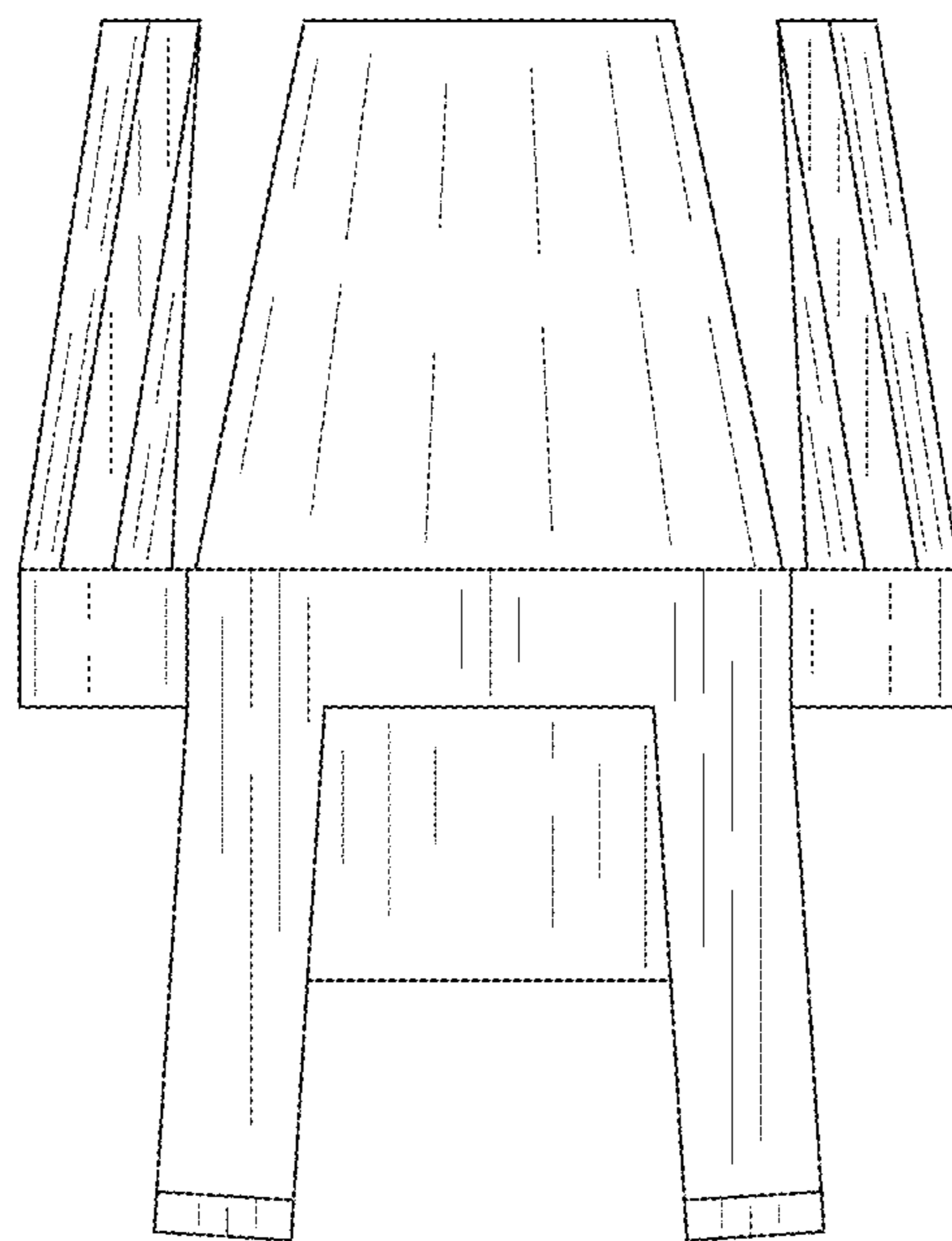
*FIG. 1*



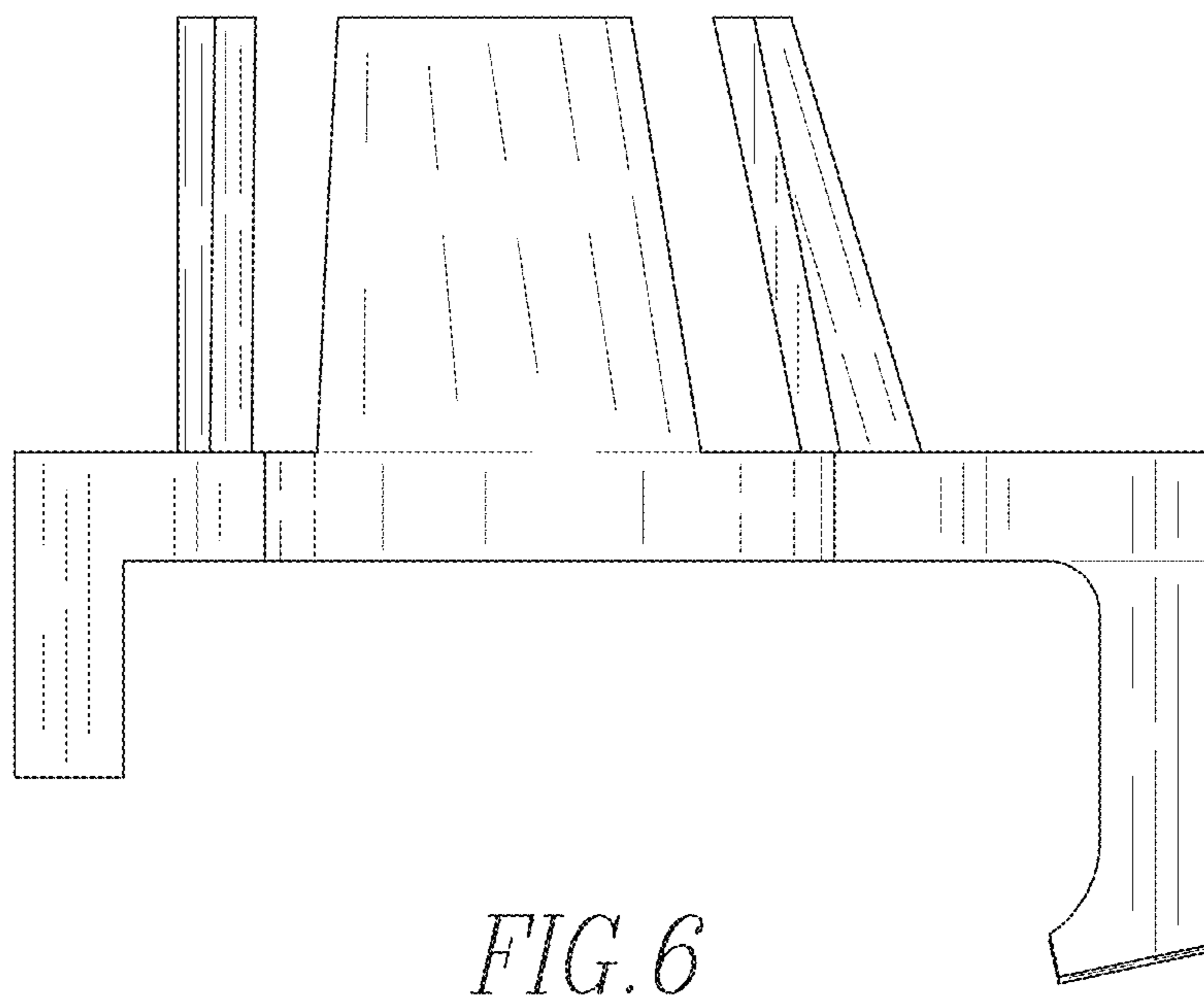
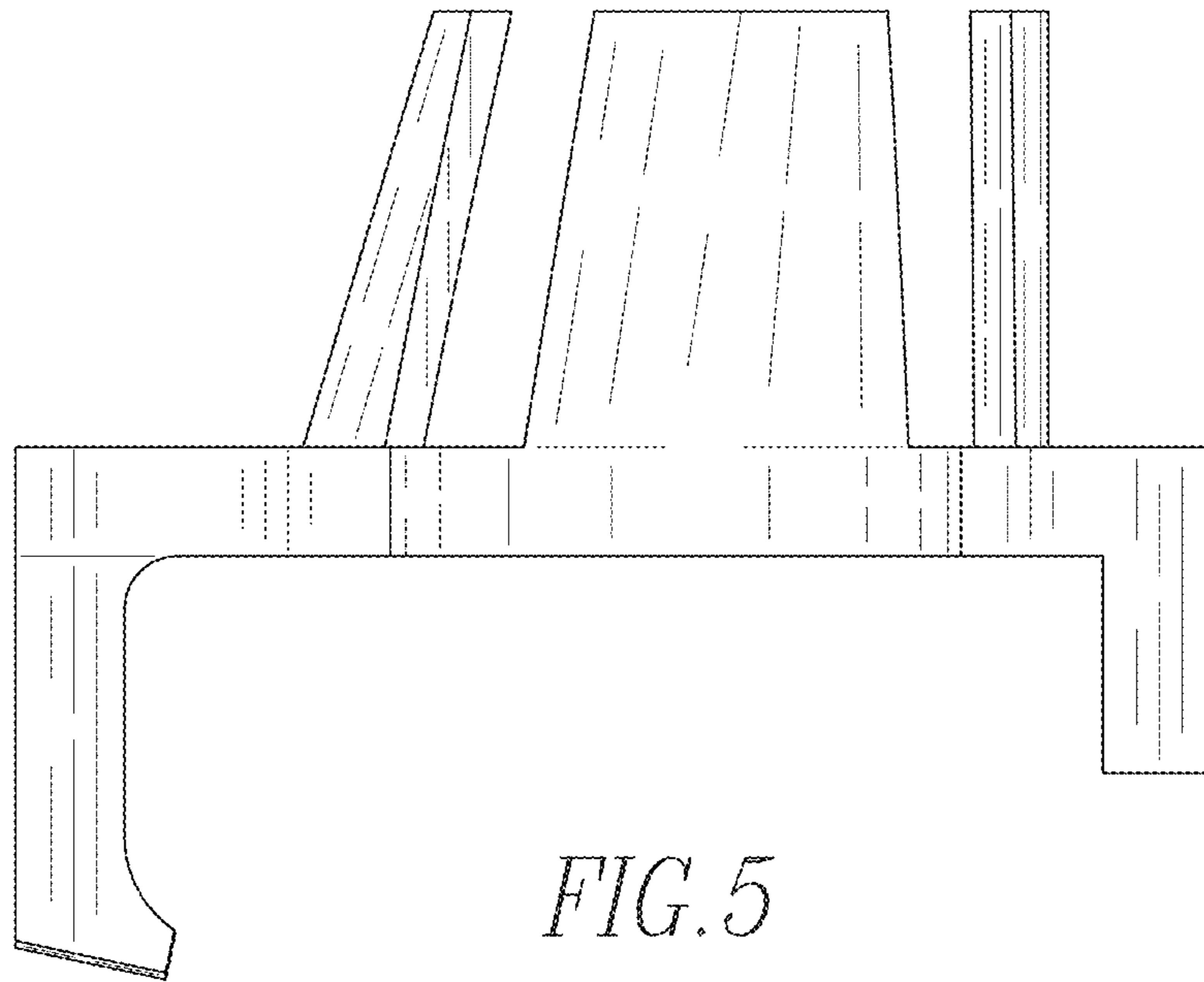
*FIG. 2*

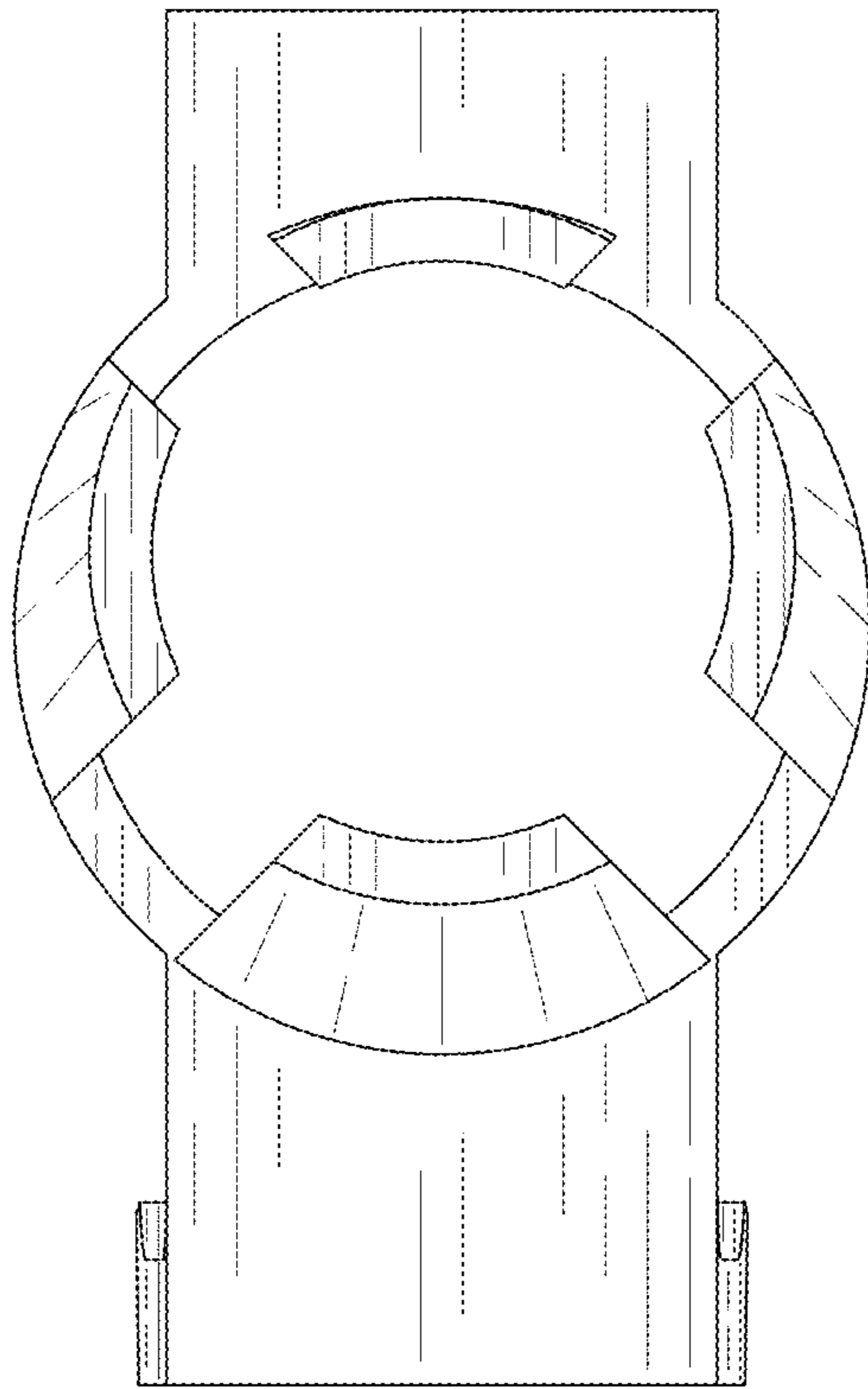


*FIG. 3*

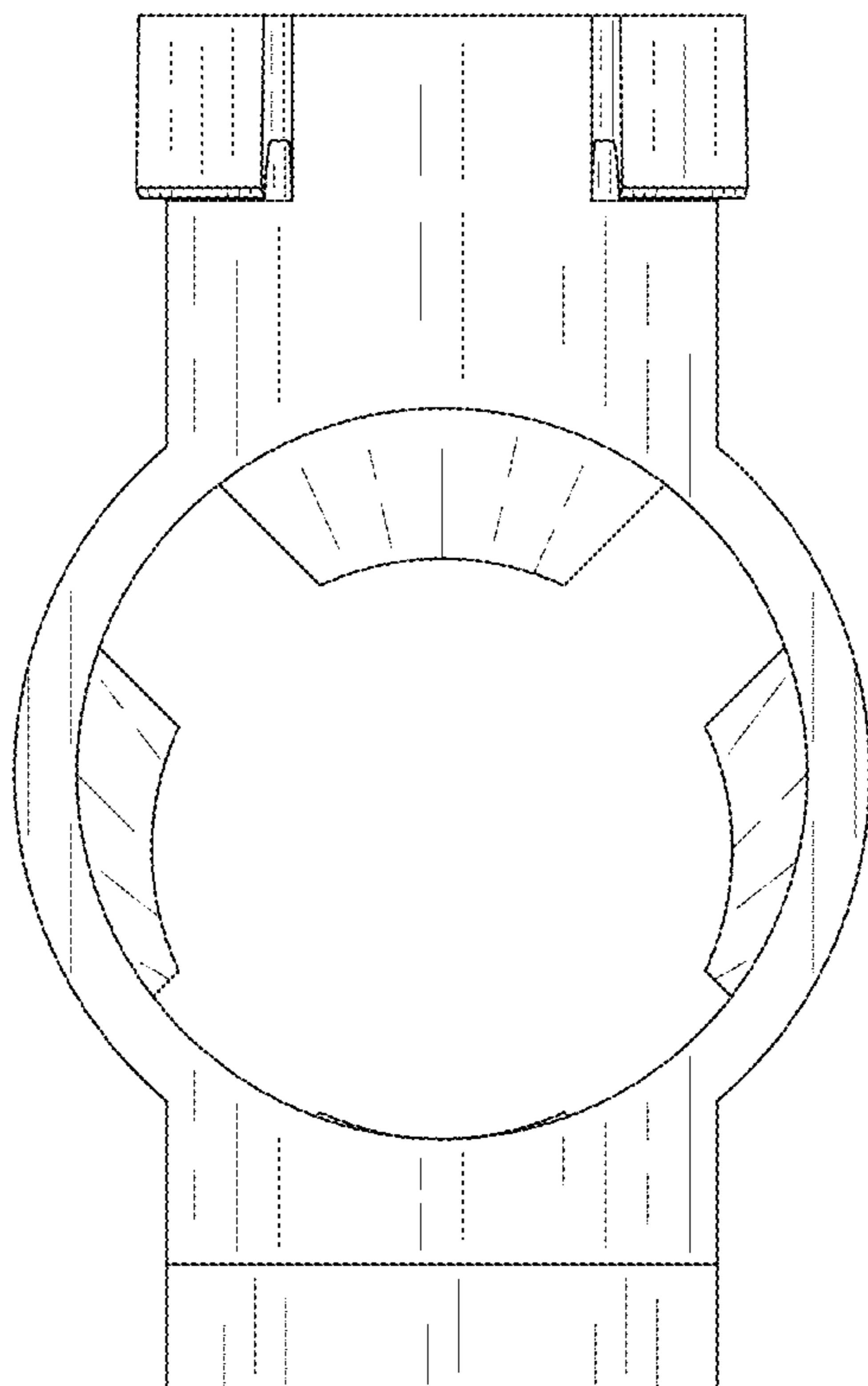


*FIG. 4*





*FIG. 7*



*FIG. 8*