



US00D798827S

(12) **United States Design Patent** (10) **Patent No.:** **US D798,827 S**  
**Lacey et al.** (45) **Date of Patent:** **\*\* Oct. 3, 2017**

- (54) **SWITCH APPARATUS**
- (71) Applicant: **EATON CORPORATION**, Cleveland, OH (US)
- (72) Inventors: **Darron Kirby Lacey**, Fayetteville, GA (US); **Pramod Kumar**, Peachtree City, GA (US)
- (73) Assignee: **EATON CORPORATION**, Cleveland, OH (US)
- (\*\*) Term: **15 Years**
- (21) Appl. No.: **29/582,045**
- (22) Filed: **Oct. 25, 2016**

5,340,954 A	8/1994	Hoffman	
5,543,595 A	8/1996	Mader	
5,669,484 A	9/1997	Paulson	
6,259,351 B1	7/2001	Radosavljevic	
6,420,669 B1	7/2002	Shenker	
6,774,328 B2	8/2004	Adams	
D542,742 S	5/2007	Spira	
D543,511 S	5/2007	Altonen	
D546,771 S	7/2007	Spira	
D566,052 S	4/2008	Ochs	
D603,809 S	11/2009	Mathew	
7,638,723 B1	12/2009	Dodal	
D607,851 S *	1/2010	Miyasaka	..... D13/173
7,745,750 B2	6/2010	Hewson	
8,124,898 B2	2/2012	Mathew	
8,643,220 B1	2/2014	Bhosale	
D707,638 S	6/2014	Bhosale	
D772,175 S *	11/2016	Lacey	..... D13/174

(Continued)

**Related U.S. Application Data**

- (62) Division of application No. 29/534,688, filed on Jul. 30, 2015, now Pat. No. Des. 780,701.
- (51) **LOC (10) Cl.** ..... **13-03**
- (52) **U.S. Cl.**  
USPC ..... **D13/169**
- (58) **Field of Classification Search**  
USPC ..... D13/162, 169, 170, 171, 173, 174  
CPC ..... H01H 9/02; H01H 3/02; H01H 3/0213;  
H01H 15/06; H01H 23/00; H01H 23/02;  
H01H 23/04; H01H 23/08; H01H 23/146;  
H01H 23/148; H01H 23/164; H01H  
71/521; H01H 71/522; H02G 3/14; H05B  
39/08; Y10T 307/937  
See application file for complete search history.

**References Cited**

**U.S. PATENT DOCUMENTS**

3,059,045 A	10/1962	Swartwood
3,335,900 A	8/1967	Czeslaw
5,262,678 A	11/1993	Flowers
D342,234 S	12/1993	Graybill, Jr.

*Primary Examiner* — Selina Sikder

(74) *Attorney, Agent, or Firm* — Eckert Seamans; Brij Agarwal; Grant Coffield

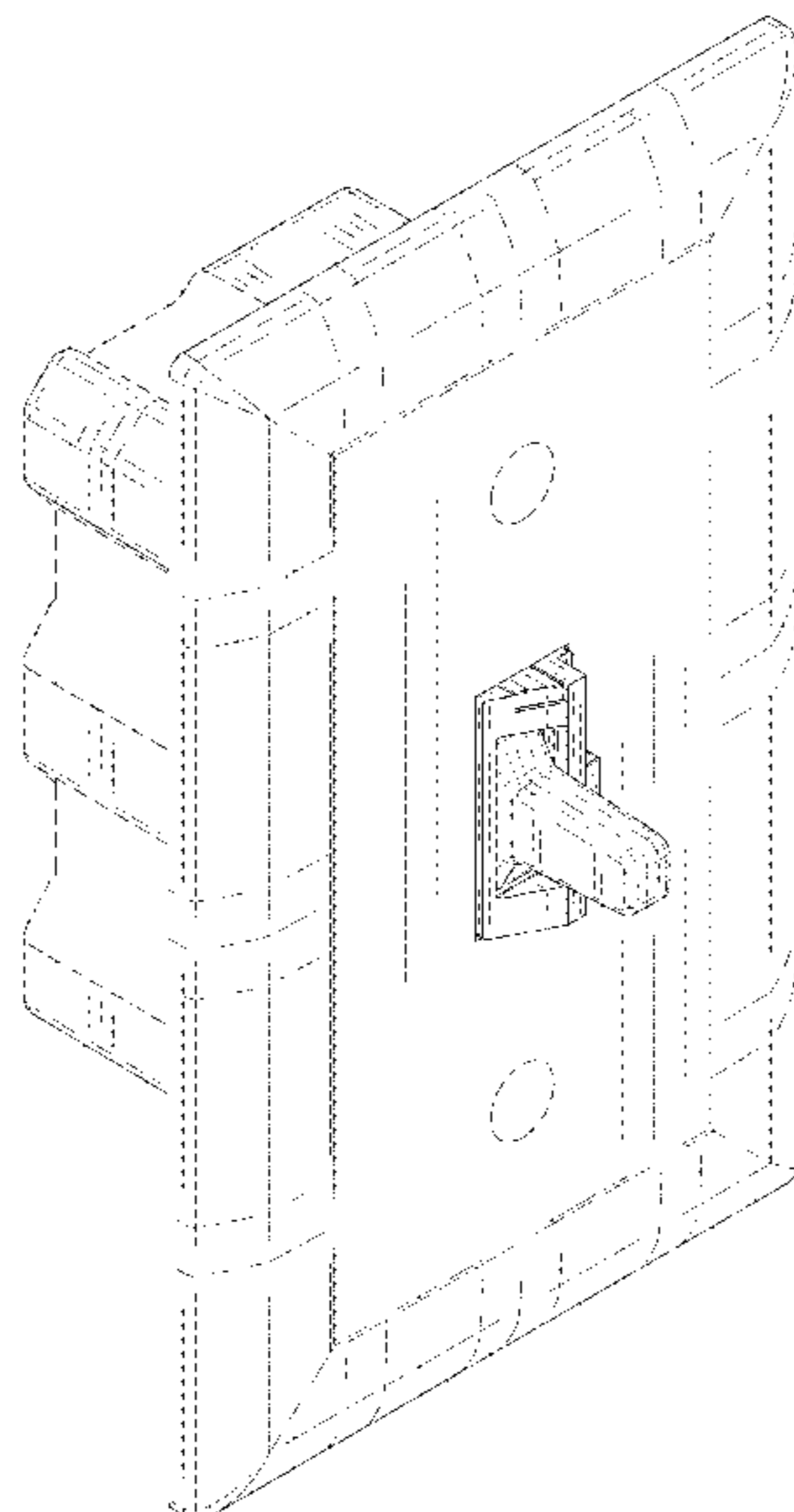
(57) **CLAIM**

The ornamental design for a switch apparatus, as shown and described.

**DESCRIPTION**

FIG. 1 is an upper left perspective view of the switch apparatus;  
 FIG. 2 is an lower right perspective view thereof;  
 FIG. 3 is a front elevational view thereof;  
 FIG. 4 is a right side elevational view thereof;  
 FIG. 5 is a left side elevational view thereof;  
 FIG. 6 is a top plan view thereof;  
 FIG. 7 is a bottom plan view thereof; and,  
 FIG. 8 is a rear elevational view thereof.  
 The dashed lines are for illustration of the boundary between claimed subject matter and unclaimed subject matter only and form no part of the claimed design.

**1 Claim, 7 Drawing Sheets**



(56)

**References Cited**

U.S. PATENT DOCUMENTS

D779,443 S *	2/2017	Lacey .....	D13/173
D779,444 S *	2/2017	Lacey .....	D13/173
D780,132 S *	2/2017	Lacey .....	D13/173
D780,700 S *	3/2017	Lacey .....	D13/173
D780,701 S *	3/2017	Lacey .....	D13/173
2014/0151203 A1	6/2014	Gouhl	

\* cited by examiner

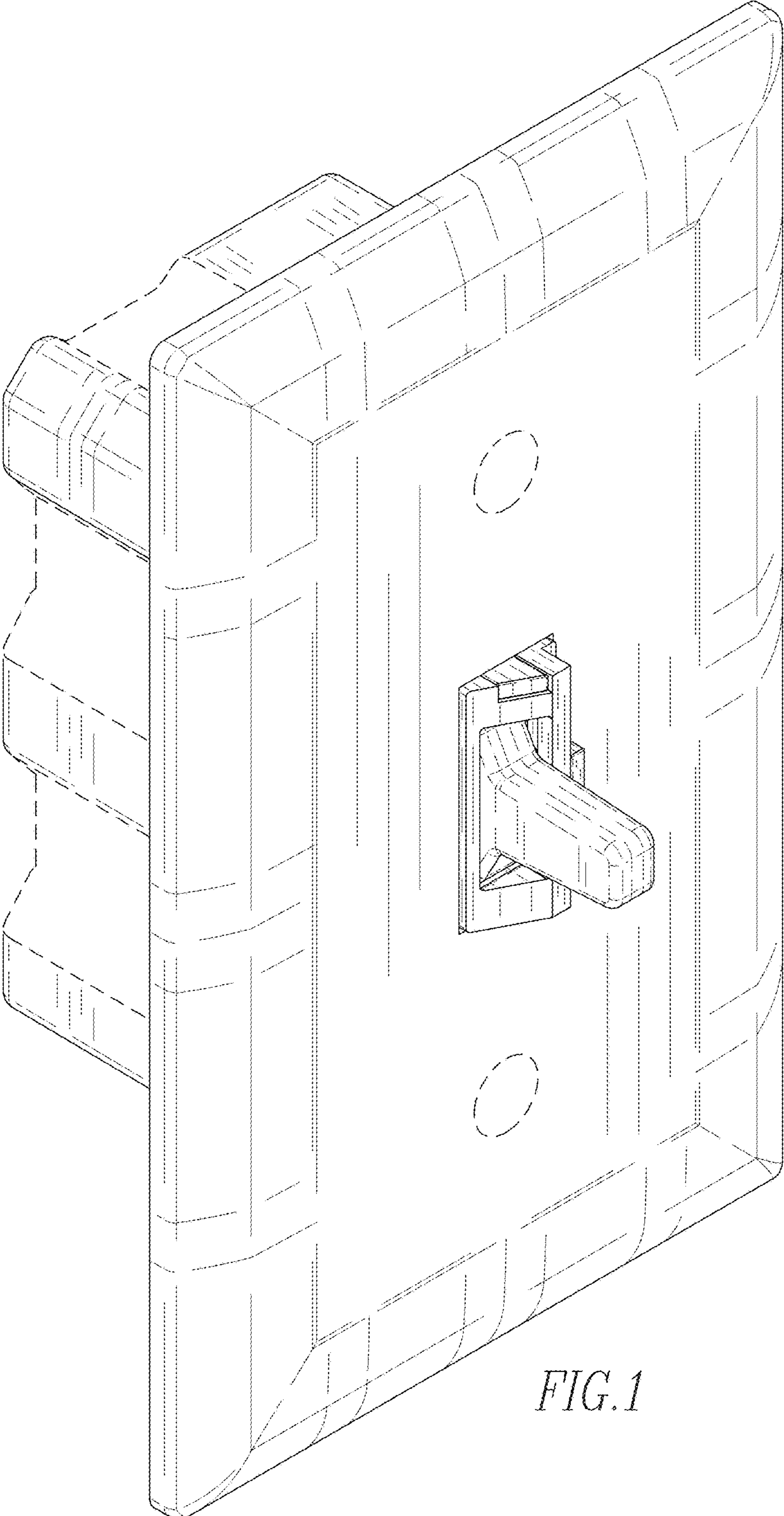


FIG. 1

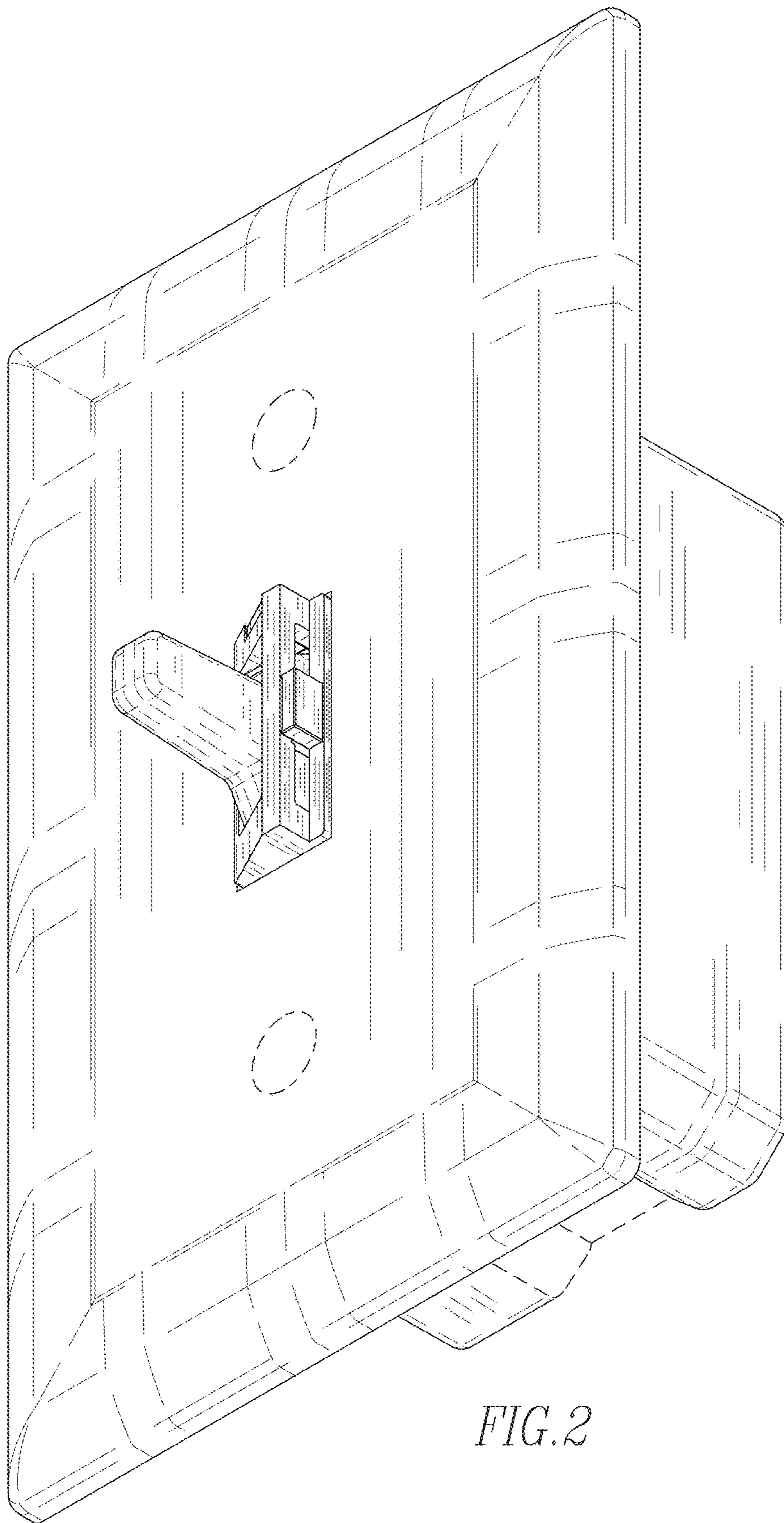


FIG. 2



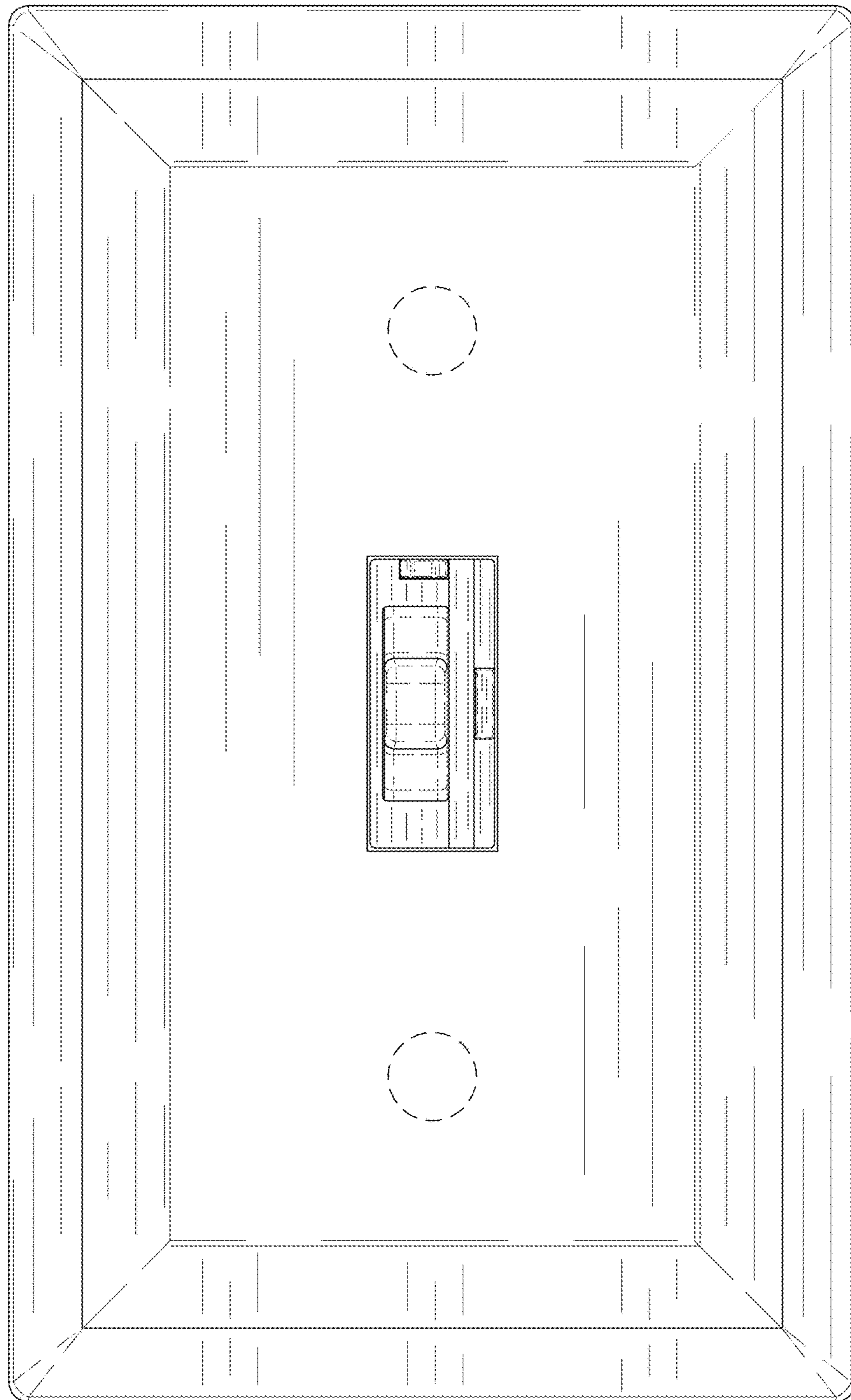


FIG. 3

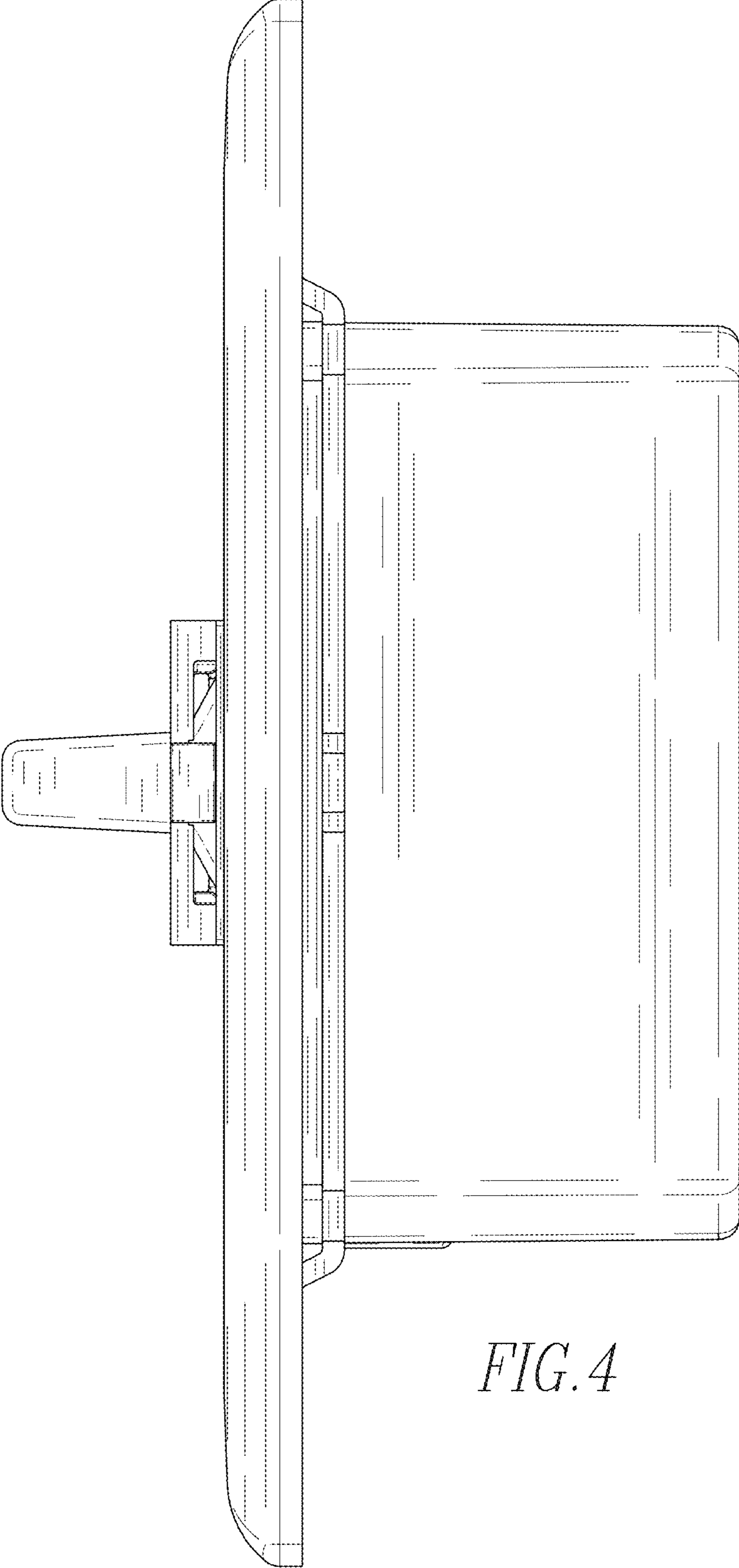
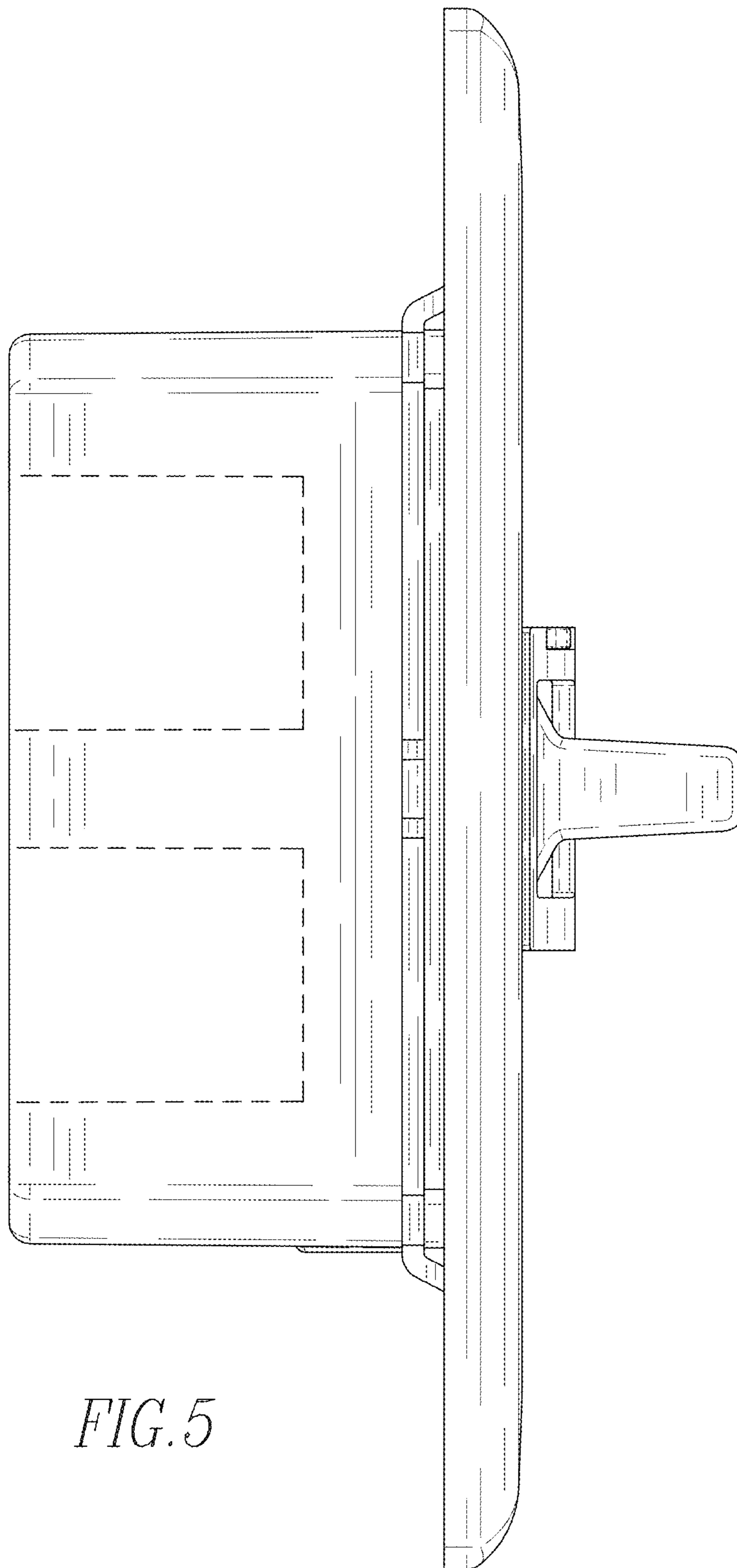
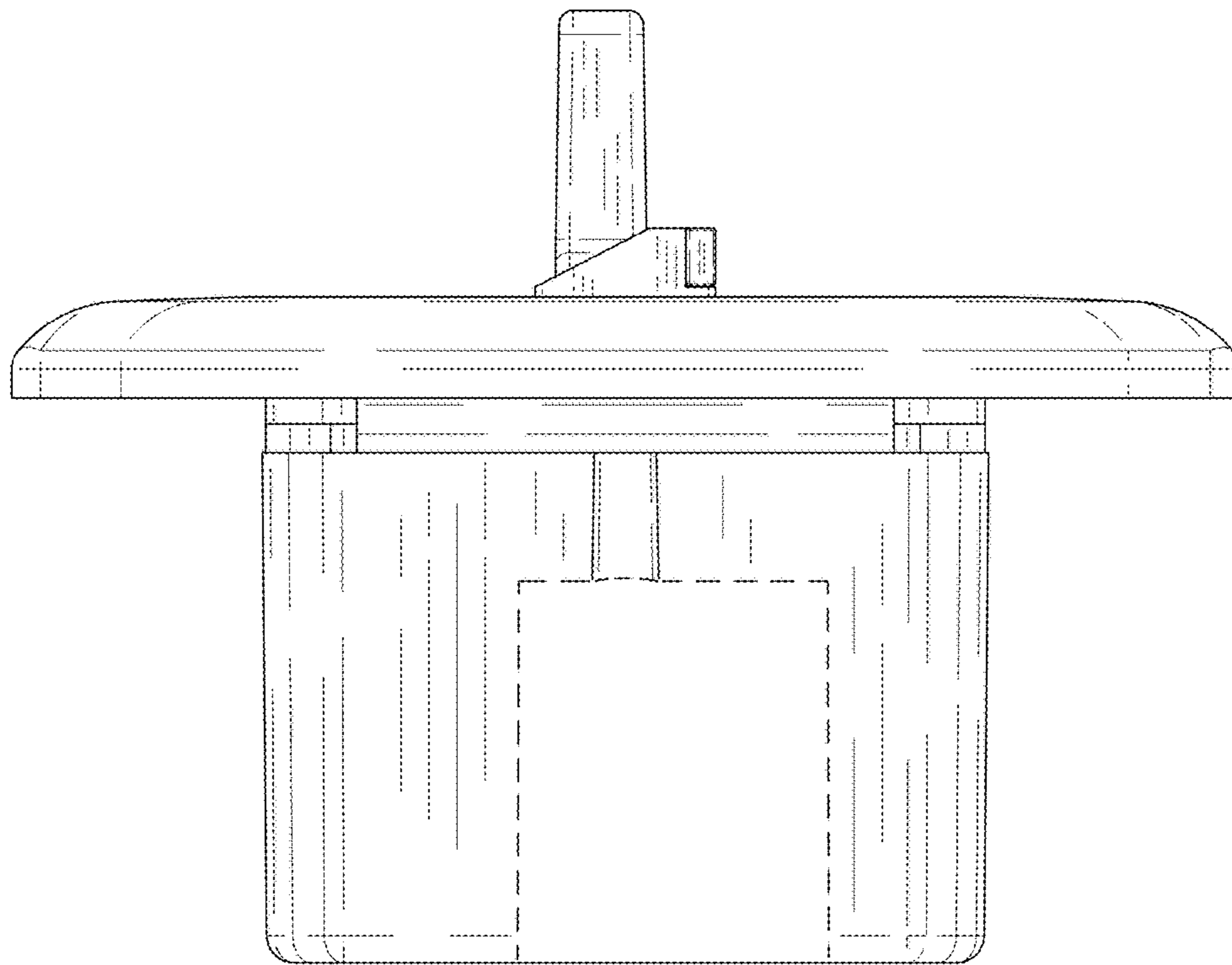
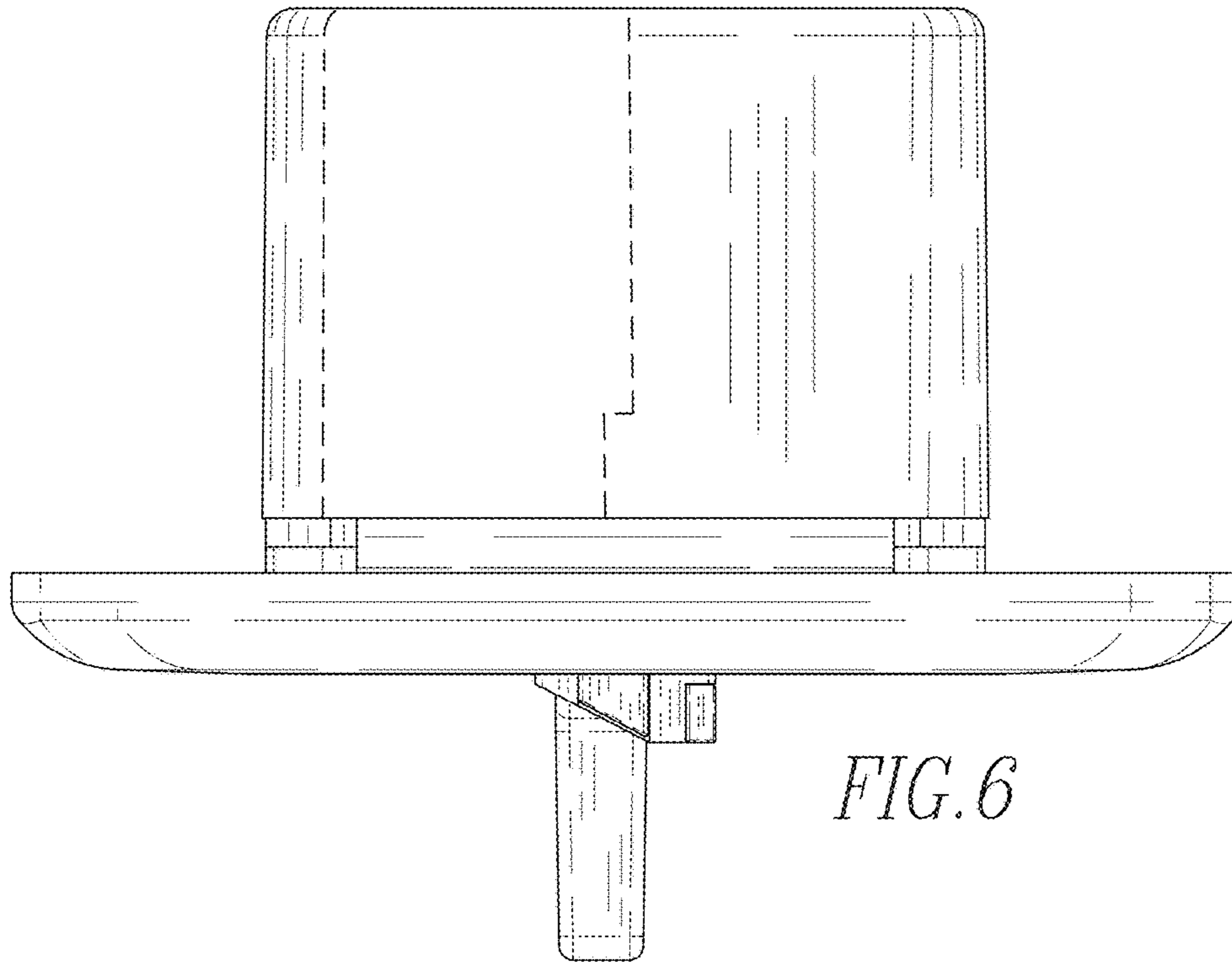


FIG. 4



*FIG. 5*





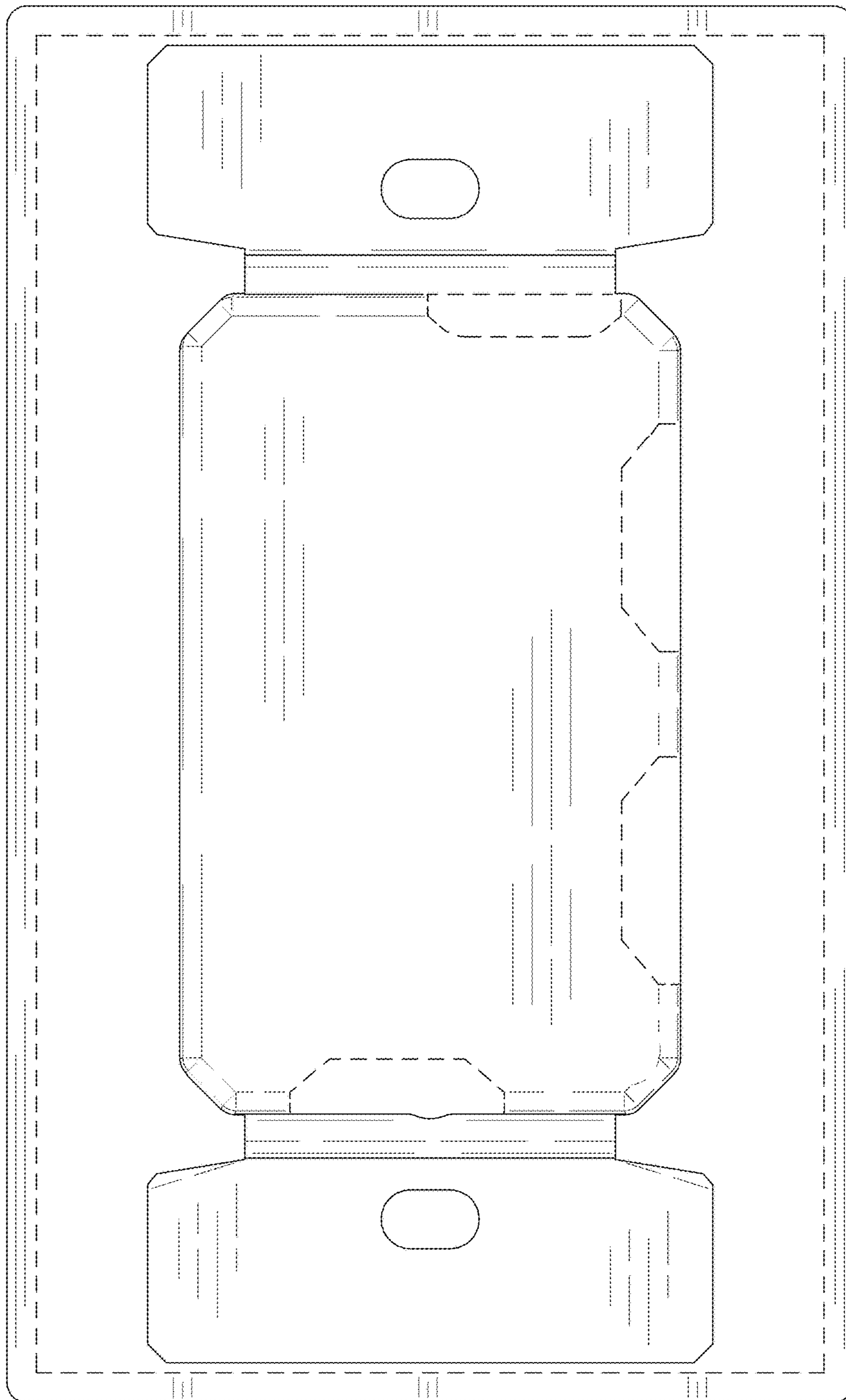


FIG. 8