



US00D798825S

(12) **United States Design Patent** (10) **Patent No.:** **US D798,825 S**
Hahn et al. (45) **Date of Patent:** **** Oct. 3, 2017**

- (54) **CABLE WITH INTEGRATED IN-LINE BATTERY**
- (71) Applicant: **Nomad Goods, Inc.**, Santa Barbara, CA (US)
- (72) Inventors: **Brian Hahn**, Summerland, CA (US);
Noah Dentzel, Summerland, CA (US);
Alvaro Dominguez de Luna, Malaga (ES)
- (73) Assignee: **Nomad Goods, Inc.**, Santa Barbara, CA (US)
- (**) Term: **15 Years**
- (21) Appl. No.: **29/550,483**
- (22) Filed: **Jan. 4, 2016**
- (51) **LOC (10) Cl.** **13-03**
- (52) **U.S. Cl.**
USPC **D13/153; D13/103**
- (58) **Field of Classification Search**
USPC D13/102-110, 118-119, 184, 199, 153,
D13/147; D14/356, 432, 251, 253, 434,
D14/203.3-203.8, 217, 248, 250, 252,
D14/440, 450, 496
CPC Y02E 60/12; Y02E 60/122; Y02E 60/124;
Y02E 60/50; Y02E 60/10; H01M 2/02;
H01M 2/022; H01M 2/0202; H01M
2/0207; H01M 2/0212; H01M 2/1061;
H01M 2/1022; H01M 2/1055; H01M
2/1066; H01M 2/105; H01M 2/204;
H01M 2/20; H01M 2/202; H01M 2/206;
H01M 10/44; H01M 10/46; H01M
10/465; H01M 10/482; H01M 10/4257;
H01M 10/0436; H01M 10/48; H01M
10/425; H01M 2200/30; H01M 2250/30;
H01M 2250/40; H02J 7/00; H02J 7/0003;
H02J 7/0011; H02J 7/0013; H02J 7/0054;
H02J 7/0055; H02J 7/0057; H02J 7/025;
H02J 7/0042; H02J 7/0044; H02J 7/0045;
H02J 2007/0062; H01F 38/14; H01R
13/6675

See application file for complete search history.

- (56) **References Cited**
U.S. PATENT DOCUMENTS
D381,629 S * 7/1997 Goto D13/147
D416,869 S * 11/1999 Tsai D13/153
D436,927 S * 1/2001 Hogan D13/147
D451,473 S * 12/2001 Goto D13/147
D456,509 S * 4/2002 Schultz D13/153
(Continued)

OTHER PUBLICATIONS

YouTube.com: Nomad Ultra Rugged Battery Cable First Look. Published Oct. 28, 2016. Retrieved from the internet at <<https://www.youtube.com/watch?v=iezgREPEvKs>>, Mar. 27, 2017. 1 page.*

Primary Examiner — Rosemary K Tarcza
Assistant Examiner — Christy Nemeth
(74) *Attorney, Agent, or Firm* — SoCal IP Law Group LLP; Steven C. Sereboff

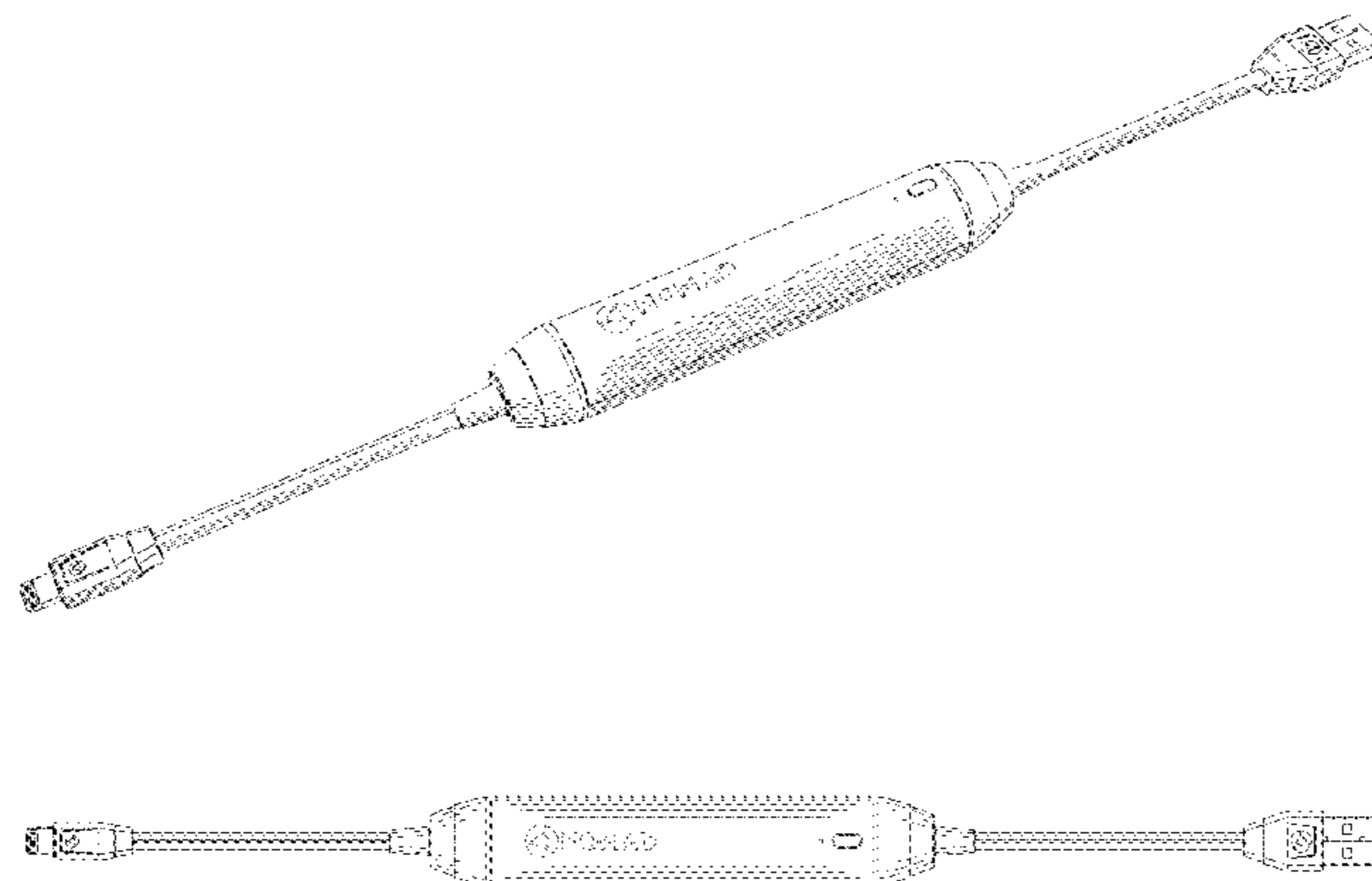
(57) **CLAIM**

We claim the ornamental design for a cable with integrated in-line battery, as shown and described.

DESCRIPTION

FIG. 1 is a perspective view of a cable with integrated in-line battery, showing our new design;
FIG. 2 is a top plan view thereof;
FIG. 3 is a right elevational view thereof;
FIG. 4 is a left elevational view thereof;
FIG. 5 is a bottom plan view thereof;
FIG. 6 is a front elevational view thereof; and,
FIG. 7 is a back elevational view thereof.
The broken lines in the drawings illustrate portions of the cable with integrated in-line battery that form no part of the claimed design.

1 Claim, 7 Drawing Sheets



(56)

References Cited

U.S. PATENT DOCUMENTS

D511,747	S *	11/2005	Rey	D13/146
D532,745	S *	11/2006	Gaber	D13/108
D574,768	S *	8/2008	Witte	D13/103
D653,613	S *	2/2012	Sasada	D13/108
D654,867	S *	2/2012	Huppe	D13/110
D656,896	S *	4/2012	Fung	D13/110
D684,122	S *	6/2013	Strater	D13/153
D738,312	S *	9/2015	Bress	D13/147
D765,601	S *	9/2016	Palmer	D13/147
D776,162	S *	1/2017	Beck	D14/203.6
2006/0263673	A1 *	11/2006	Kim	H01M 2/345 429/94
2006/0275659	A1 *	12/2006	Kim	H01M 2/00 429/186
2011/0074340	A1 *	3/2011	Kao	H02J 7/0045 320/107
2015/0380963	A1 *	12/2015	Scalchunes	H02J 7/0044 455/566
2016/0149353	A1 *	5/2016	Chen	H01R 13/6675 439/490

* cited by examiner

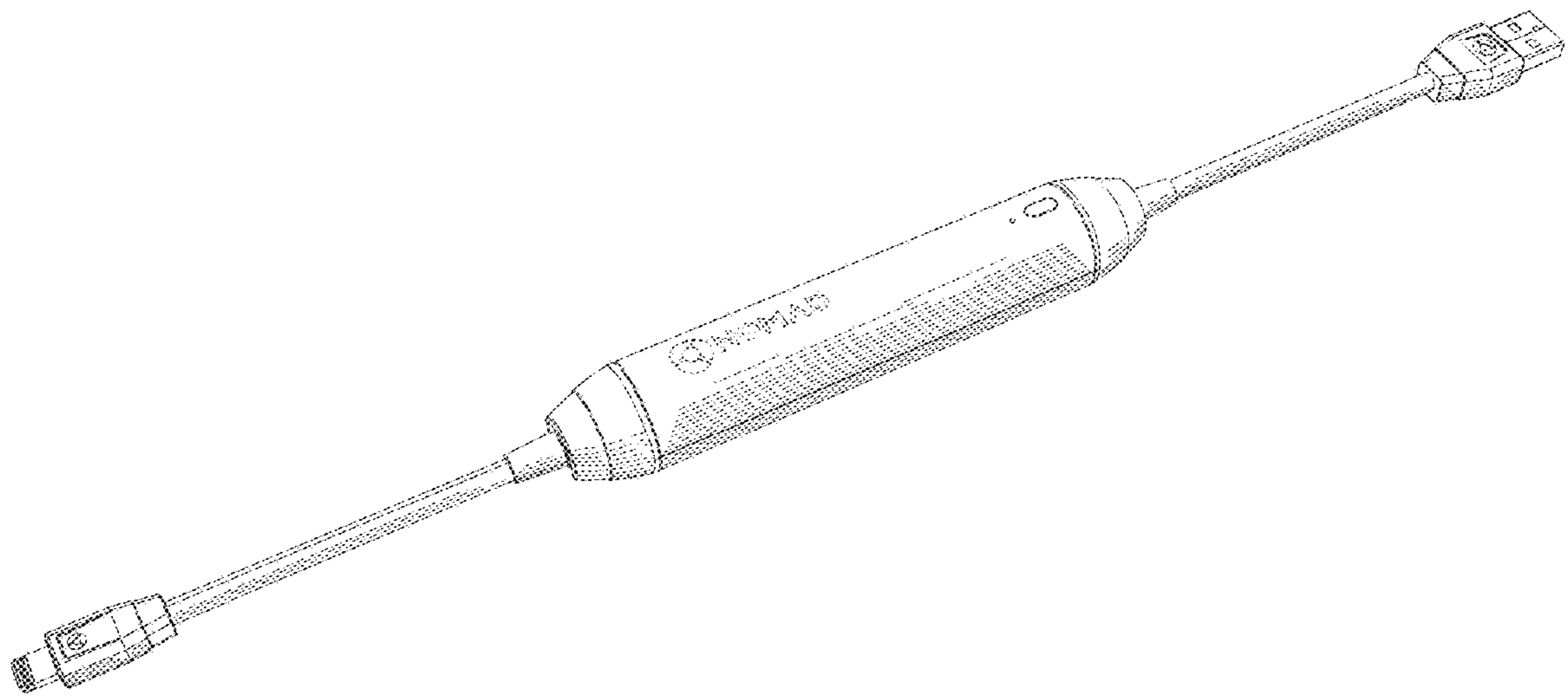


FIG. 1

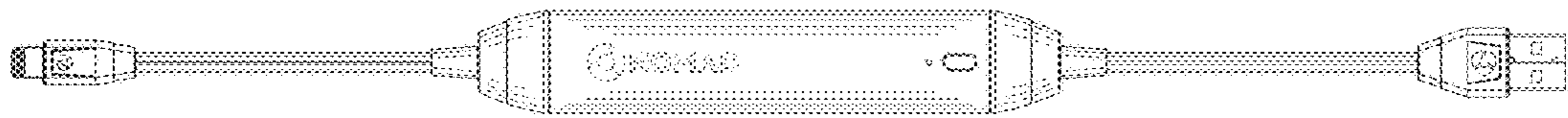


FIG. 2

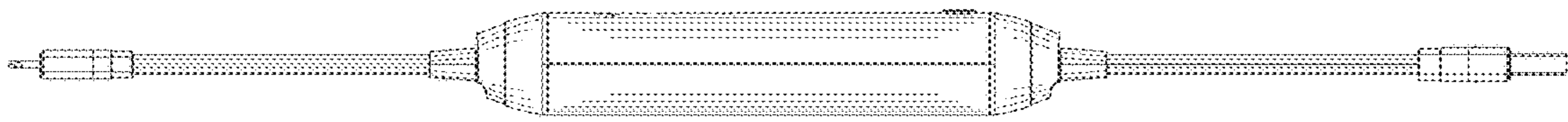


FIG. 3

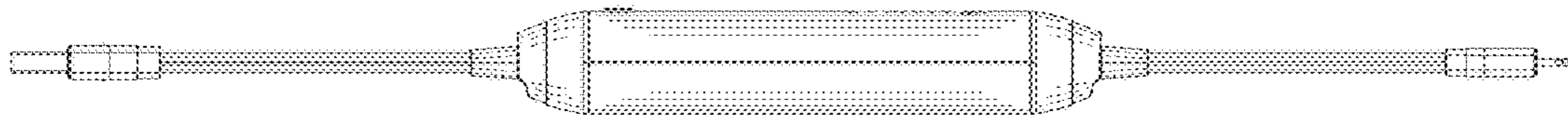


FIG. 4

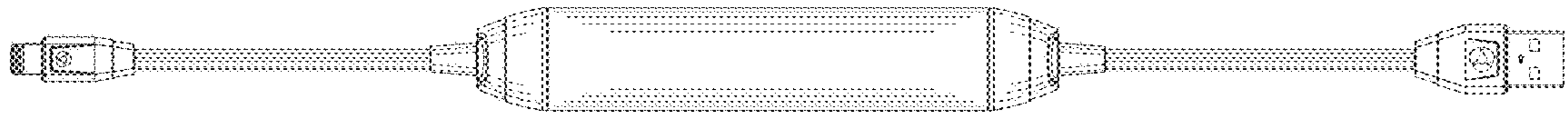


FIG. 5

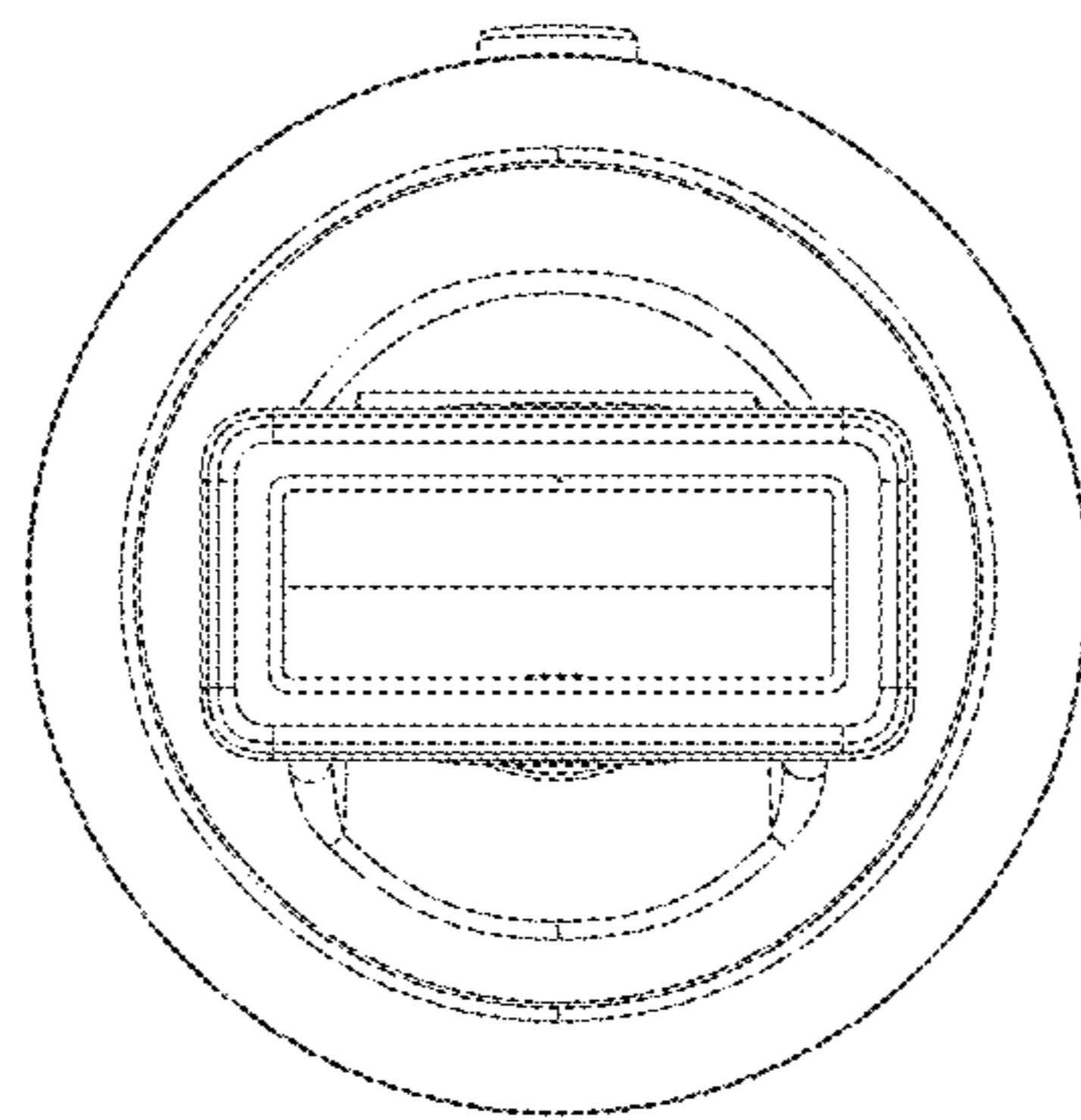


FIG. 6

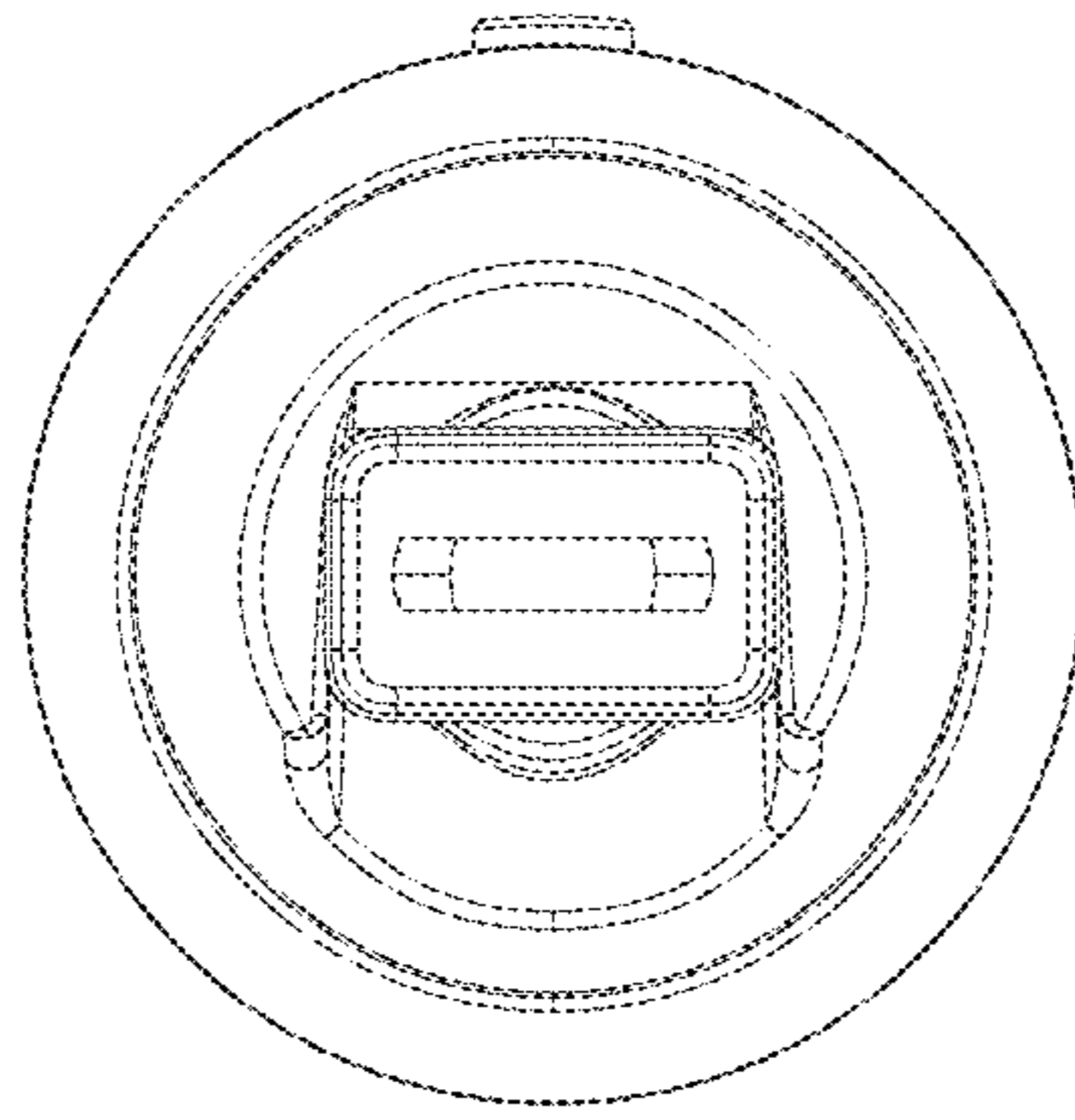


FIG. 7