



US00D798823S

(12) **United States Design Patent**
Burch, V et al.

(10) **Patent No.:** **US D798,823 S**

(45) **Date of Patent:** **** Oct. 3, 2017**

(54) **DIAGNOSTIC CONNECTOR ADAPTER**

(71) Applicant: **FEDEX CORPORATE SERVICES, INC.**, Collierville, TN (US)

(72) Inventors: **Reuben F. Burch, V**, Mississippi State, MS (US); **Howard McKinney**, Bartlett, TN (US); **Matthew Doude**, Starkville, MS (US); **Andrew LeClair**, Starkville, MS (US); **William Meadows**, Jackson, MS (US); **Michelle Price**, Moss Point, MS (US); **Matthew Bilson**, Starkville, MS (US); **Greggory Alan Morris**, Starkville, MS (US); **Davis Donald Hesler**, Biloxi, MS (US)

(73) Assignee: **FEDEX CORPORATE SERVICES, INC.**, Collierville, TN (US)

(**) Term: **15 Years**

(21) Appl. No.: **29/577,393**

(22) Filed: **Sep. 13, 2016**

(51) **LOC (10) Cl.** **13-03**

(52) **U.S. Cl.**
USPC **D13/147**

(58) **Field of Classification Search**
USPC D13/133, 146, 147, 154, 156, 184, 199;
D14/432, 433, 434, 435.1, 438
CPC A61B 8/00; G06K 7/10732; G06K 7/1425;
H01R 11/30
See application file for complete search history.

(56) **References Cited**

U.S. PATENT DOCUMENTS

2,678,228 A * 5/1954 Gerhardt A61B 1/227
15/145
D335,122 S * 4/1993 Hughes D13/146

D466,083 S * 11/2002 Zhang D13/147
D601,092 S * 9/2009 Rupp D13/147
D676,388 S * 2/2013 Muller D13/147
2012/0143062 A1 * 6/2012 Nordgren H01R 13/6205
600/459
2016/0104019 A1 * 4/2016 Todeschini G06K 7/10732
235/472.01
2017/0221607 A1 * 8/2017 Williams H01B 11/04
600/466

* cited by examiner

Primary Examiner — Daniel Bui

(74) *Attorney, Agent, or Firm* — Withers & Keys, LLC

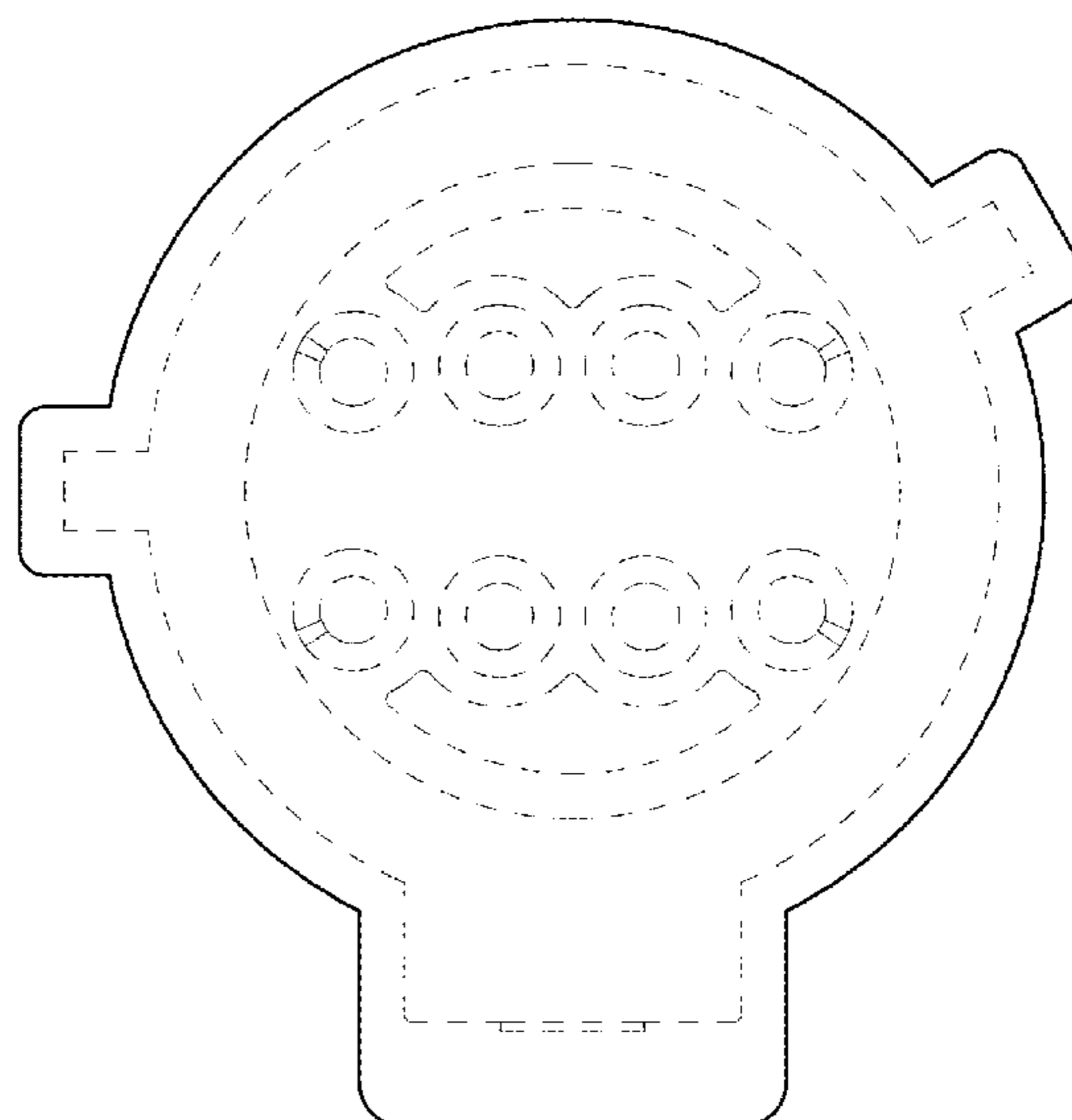
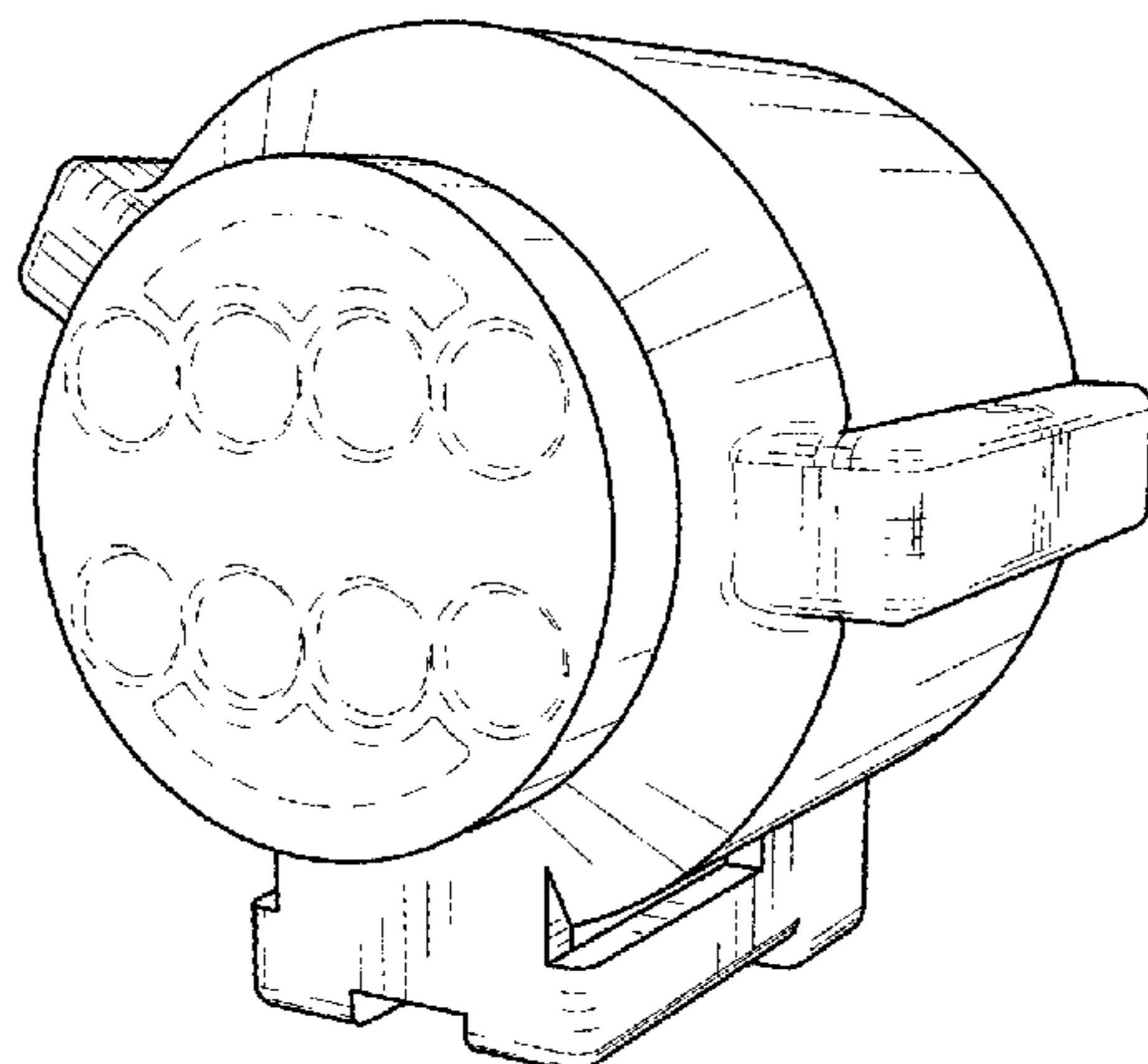
(57) **CLAIM**

The ornamental design for diagnostic connector adapter, as shown and described.

DESCRIPTION

FIG. 1 is a perspective view of a diagnostic connector adapter showing our new design;
FIG. 2 is a frontal view thereof;
FIG. 3 is a rear view thereof;
FIG. 4 is a side view thereof as viewed from the left-hand side;
FIG. 5 is a side view thereof as viewed from the right-hand side;
FIG. 6 is a top view thereof; and,
FIG. 7 is a bottom view thereof.
The broken line within the inner-most circle in FIGS. 1 and 2; and the broken line within the rear surface in FIG. 3 represents unclaimed portions of the diagnostic connector adapter and forms no part of the claimed design.

1 Claim, 7 Drawing Sheets



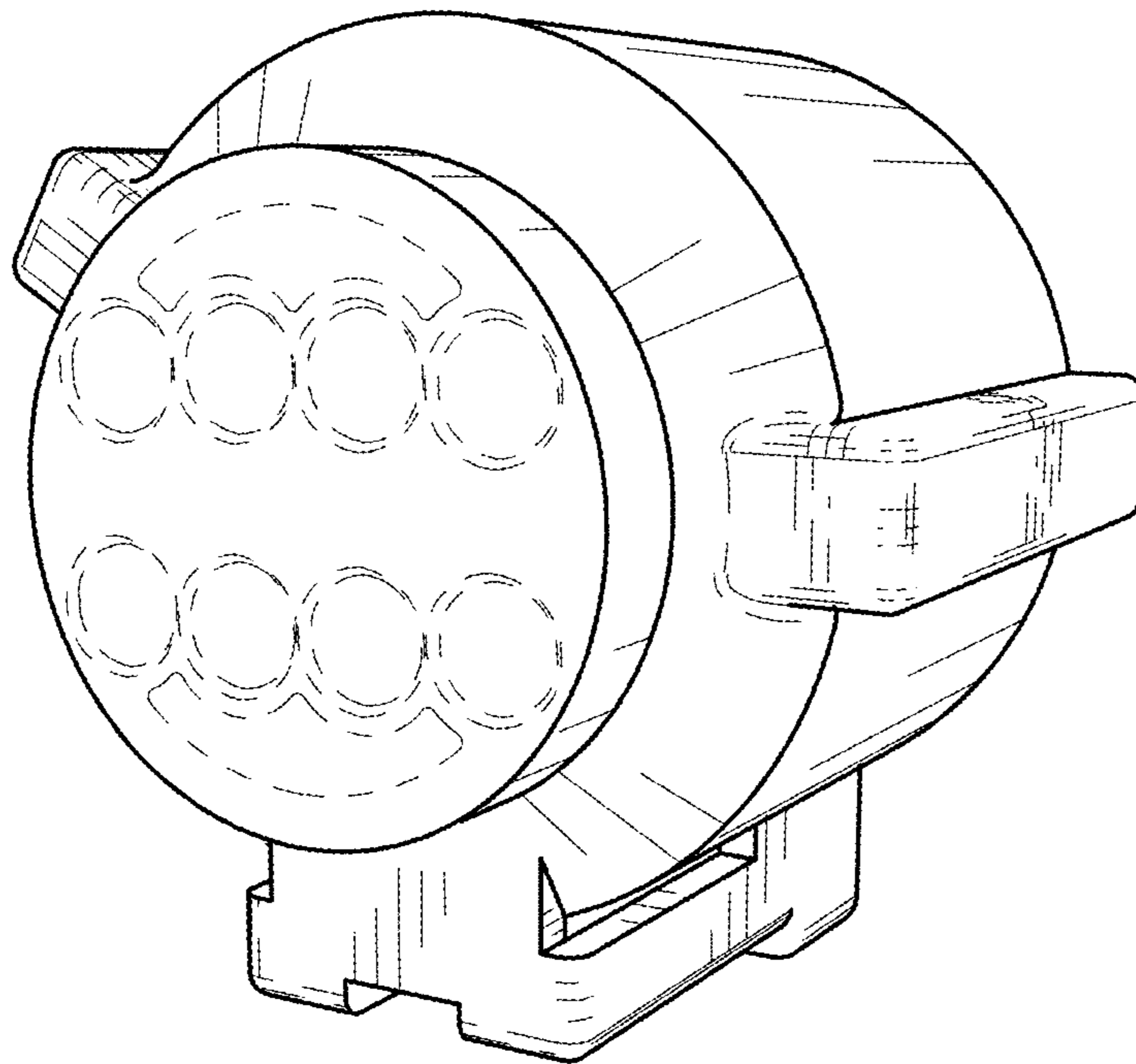


FIG. 1

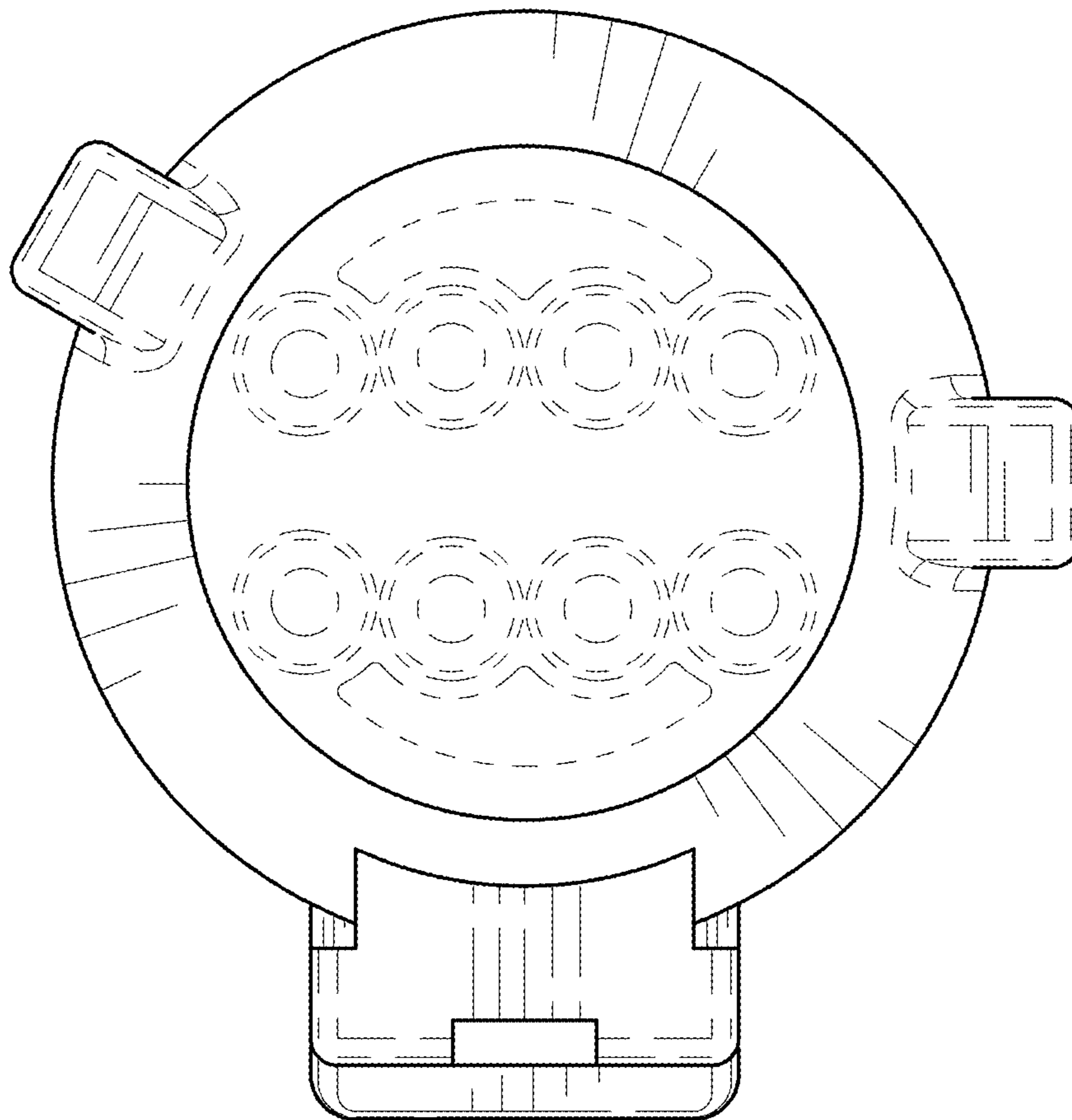


FIG. 2

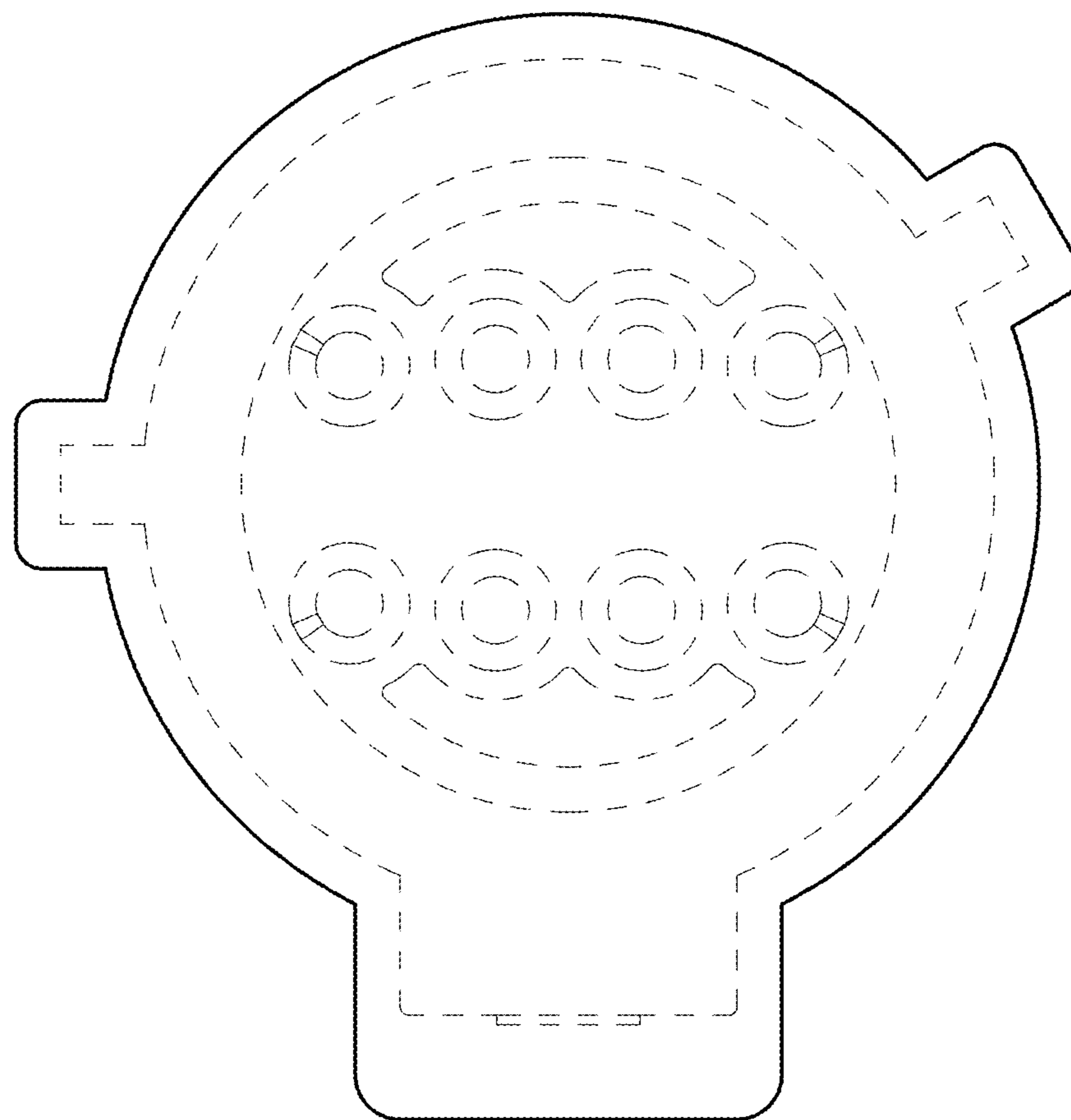


FIG. 3

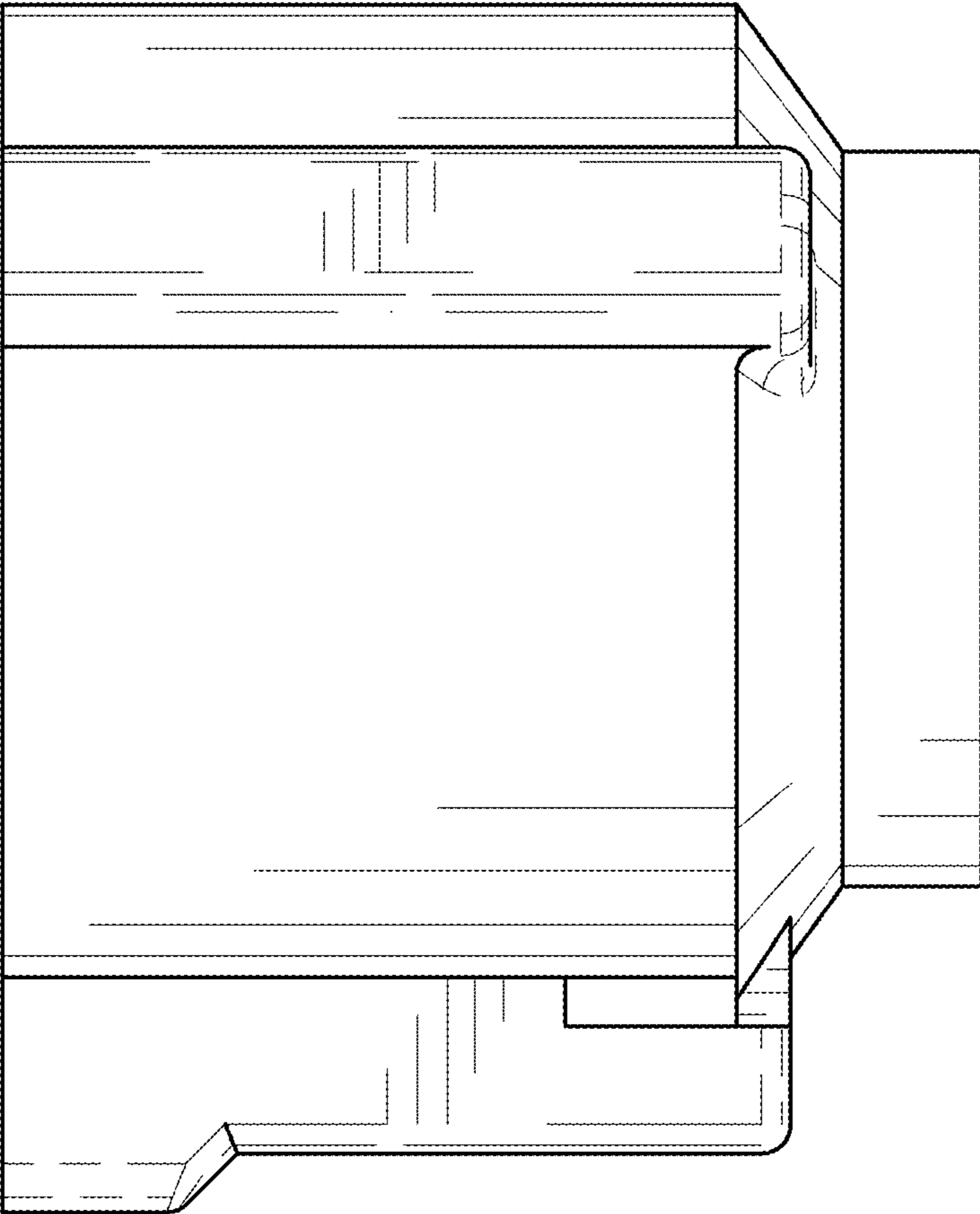


FIG. 4

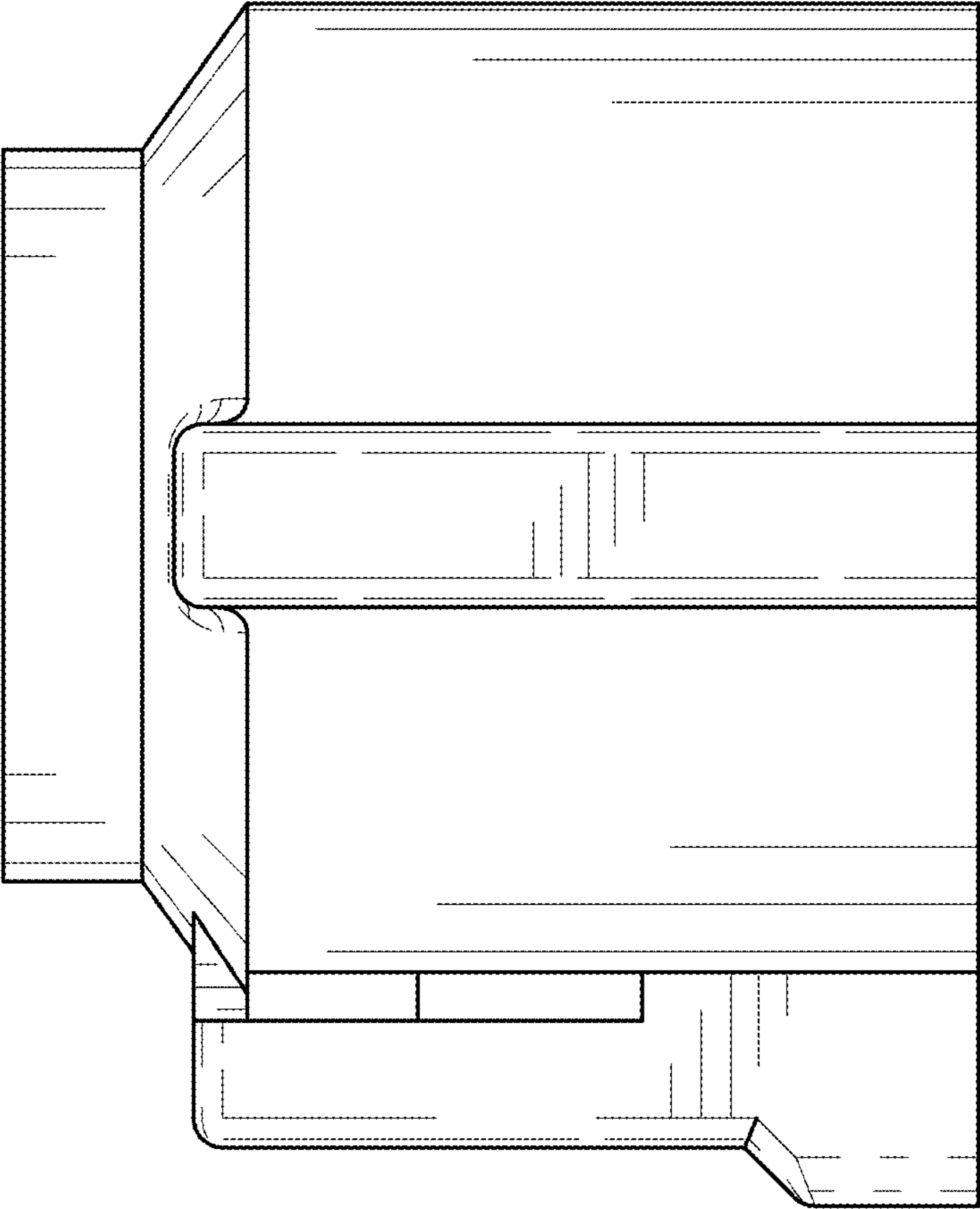


FIG. 5

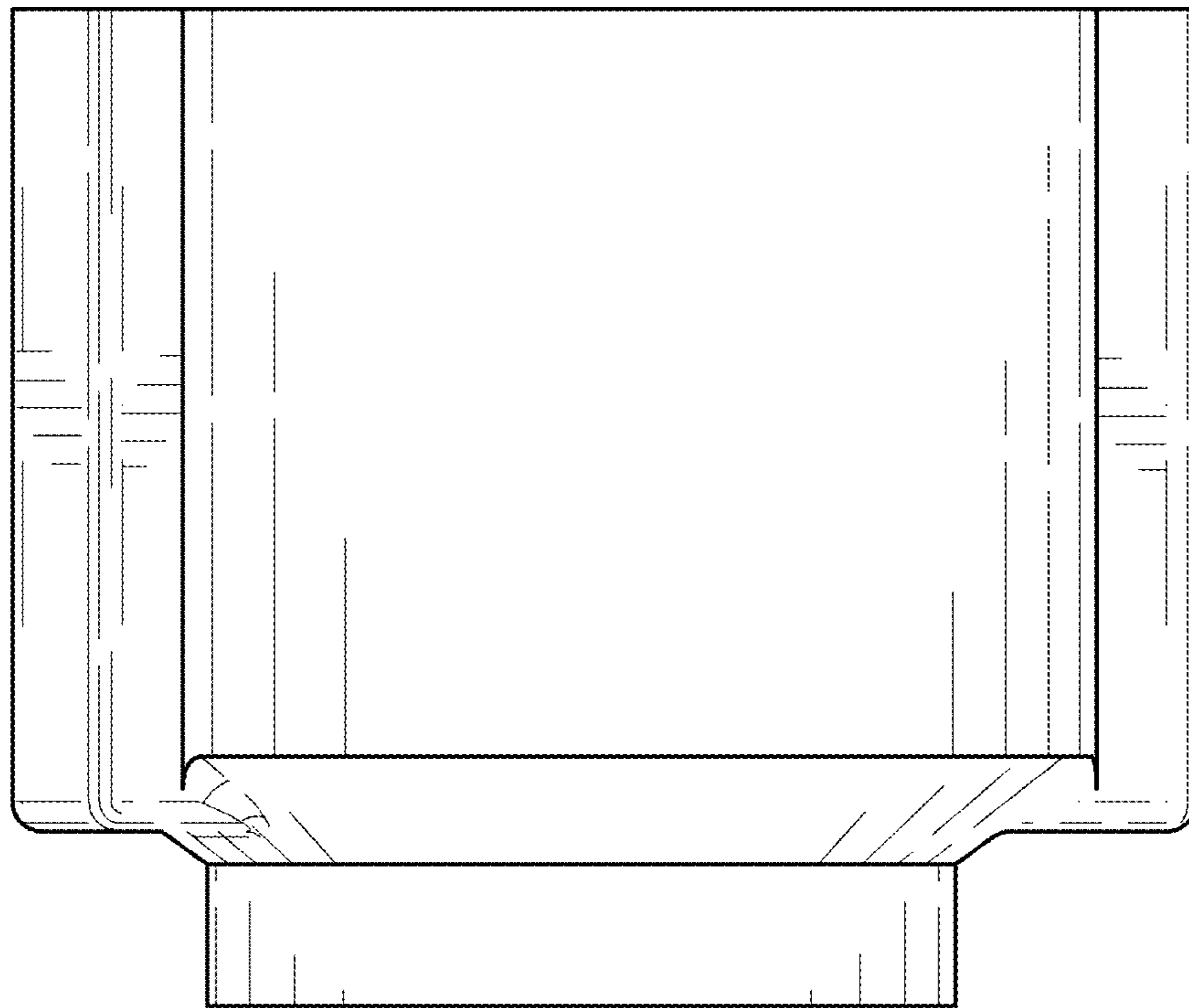


FIG. 6

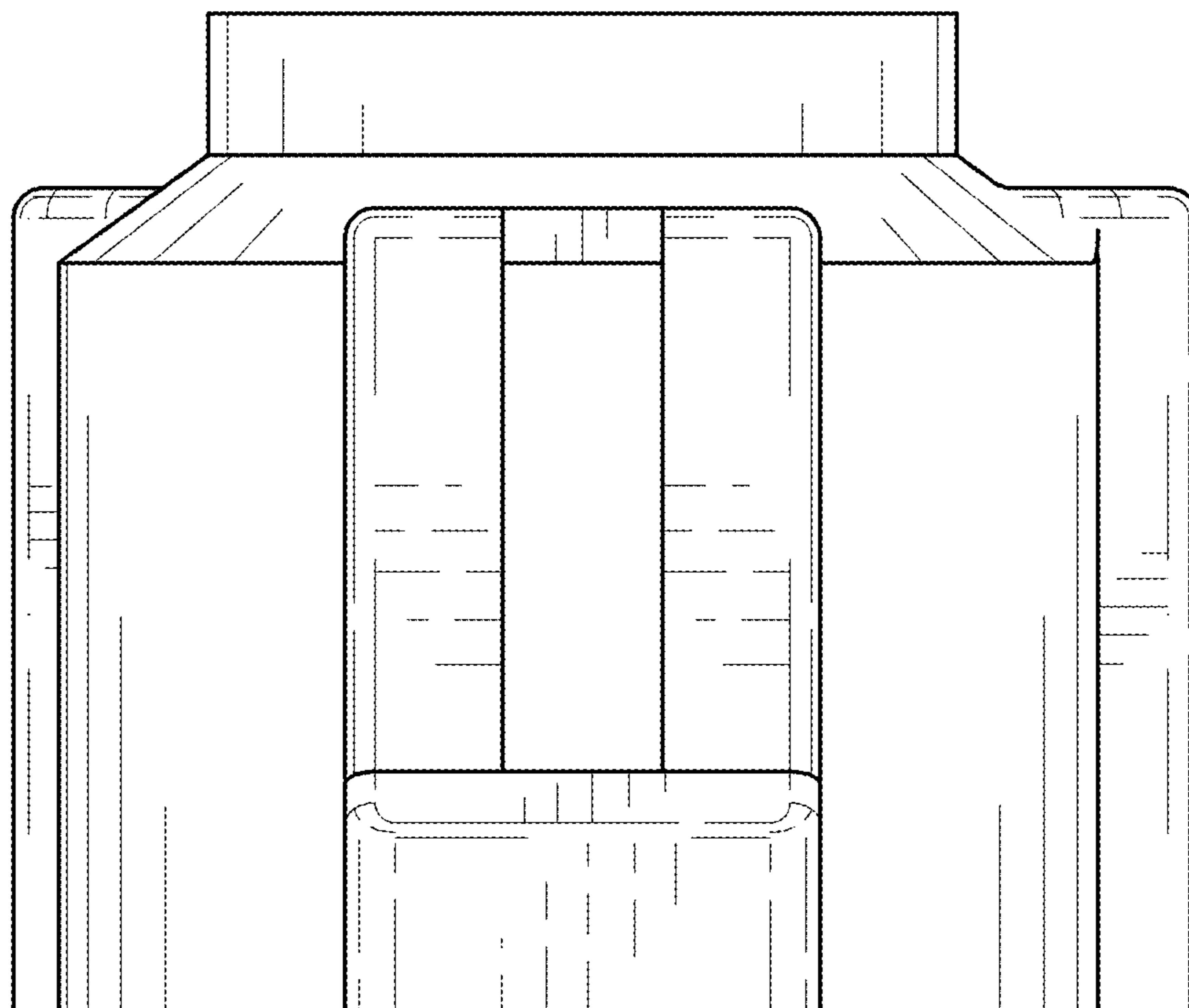


FIG. 7