



US00D798820S

(12) **United States Design Patent**  
**Mikawa**

(10) **Patent No.:** **US D798,820 S**

(45) **Date of Patent:** **\*\* Oct. 3, 2017**

(54) **CARD CONNECTOR**

(71) Applicant: **Japan Aviation Electronics Industry, Limited**, Tokyo (JP)

(72) Inventor: **Kazuya Mikawa**, Tokyo (JP)

(73) Assignee: **JAPAN AVIATION ELECTRONICS INDUSTRY, LIMITED**, Tokyo (JP)

(\*\*) Term: **15 Years**

(21) Appl. No.: **29/540,752**

(22) Filed: **Sep. 28, 2015**

(30) **Foreign Application Priority Data**

Apr. 3, 2015 (JP) ..... 2015-007550

(51) **LOC (10) Cl.** ..... **13-03**

(52) **U.S. Cl.**  
USPC ..... **D13/147**

(58) **Field of Classification Search**  
USPC ..... D13/133, 146, 147, 154, 184, 199  
CPC .... H01R 12/7076; H01R 24/00; H01R 13/24;  
H01R 13/42; H01R 13/62; G06K 7/00;  
G06K 7/0021

See application file for complete search history.

(56) **References Cited**

**U.S. PATENT DOCUMENTS**

D544,842 S \* 6/2007 Nishio ..... D13/147  
D559,787 S \* 1/2008 Sasaki ..... D13/147

D562,772 S \* 2/2008 Konno ..... D13/147  
D571,300 S \* 6/2008 Wu ..... D13/147  
D644,997 S \* 9/2011 Su ..... D13/147  
D704,142 S \* 5/2014 Kim ..... D13/147  
D729,170 S \* 5/2015 Kim ..... D13/147  
2011/0104920 A1\* 5/2011 Matsunaga ..... H01R 12/716  
439/152

\* cited by examiner

*Primary Examiner* — Daniel Bui

(74) *Attorney, Agent, or Firm* — Manabu Kanosaka

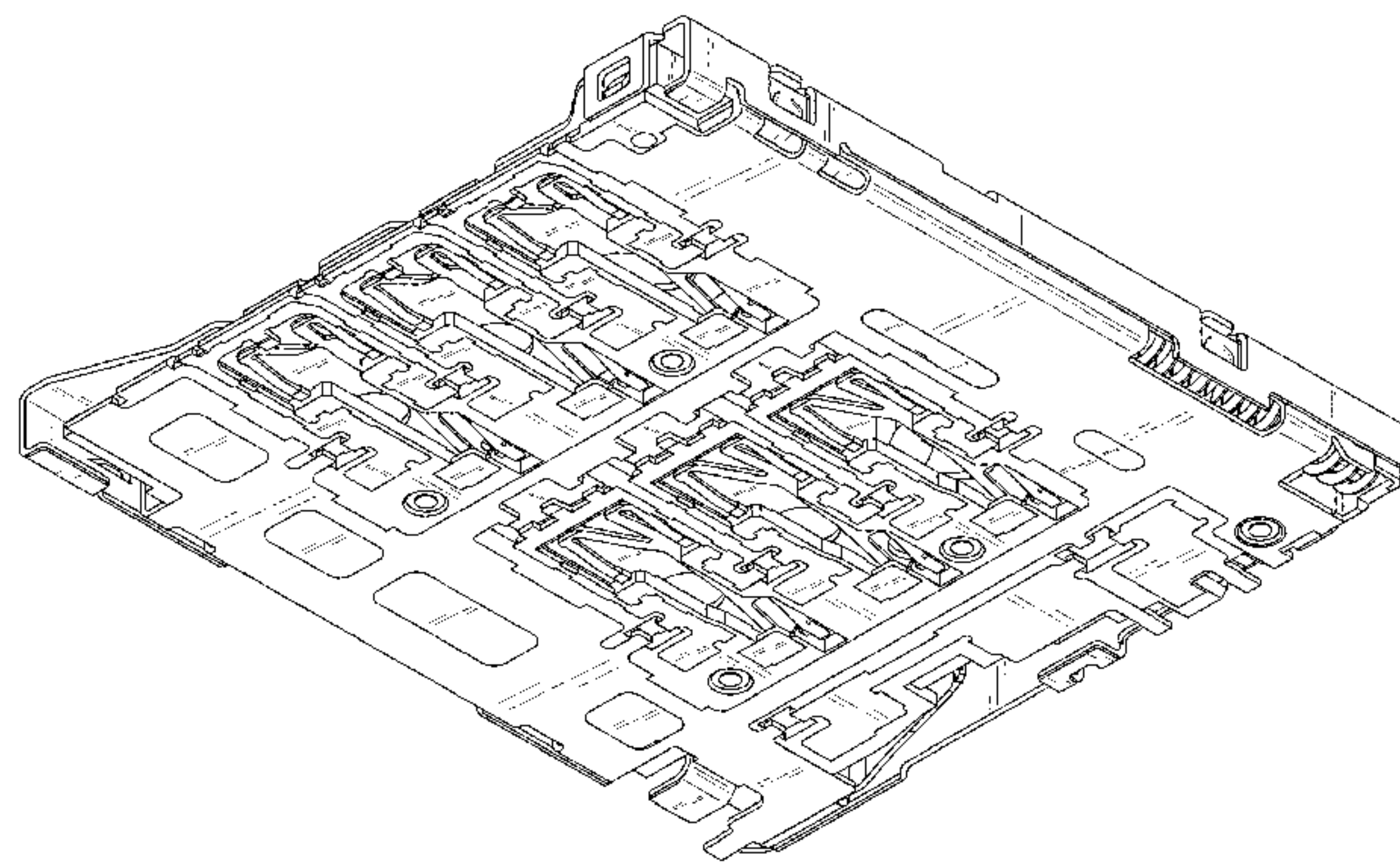
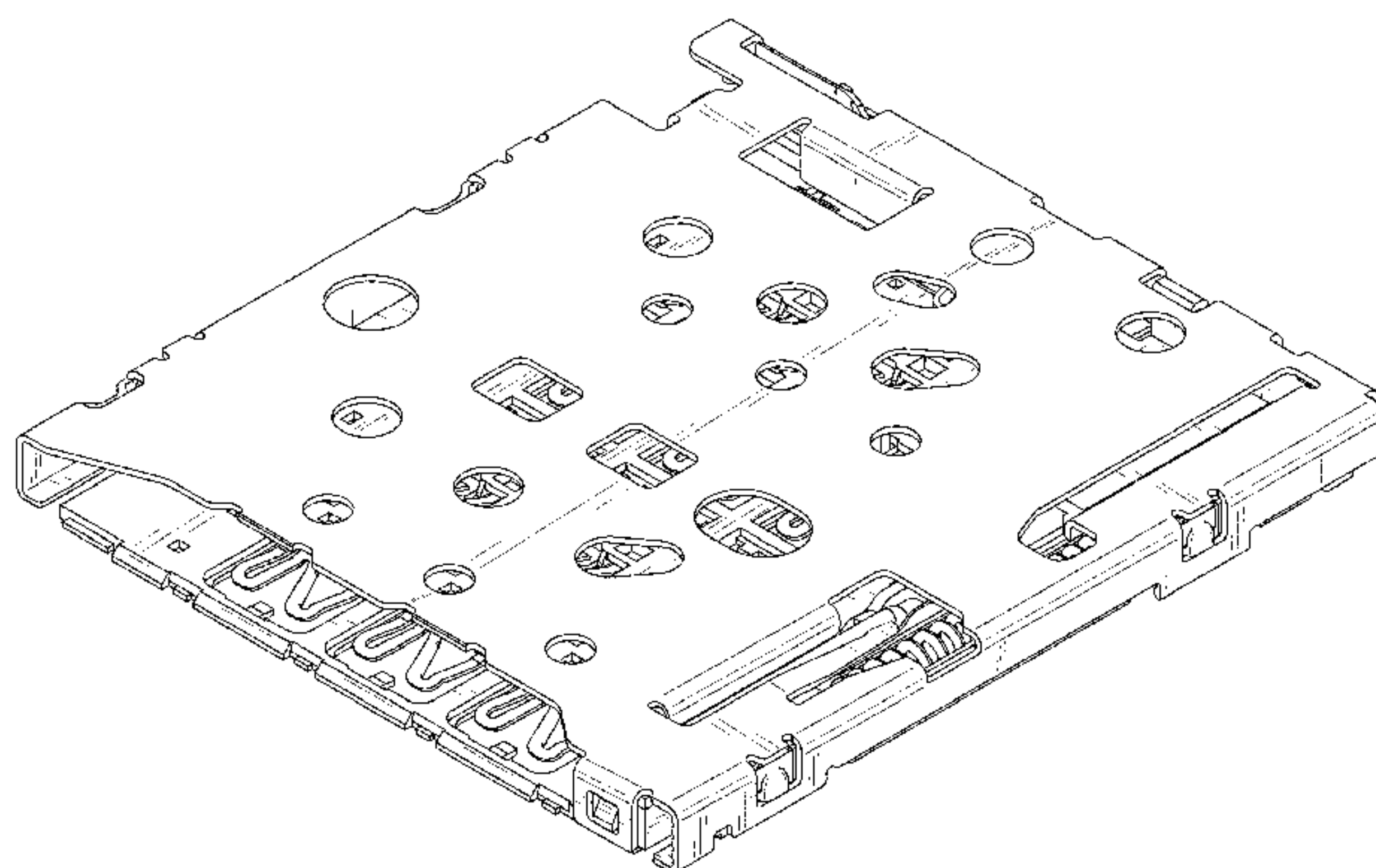
(57) **CLAIM**

The ornamental design for a card connector, as shown and described.

**DESCRIPTION**

FIG. 1 is a front elevational view of a card connector showing my new design;  
FIG. 2 is a rear elevational view thereof;  
FIG. 3 is a right side elevational view thereof;  
FIG. 4 is a left side elevational view thereof;  
FIG. 5 is a top plan view thereof;  
FIG. 6 is a bottom plan view thereof;  
FIG. 7 is a perspective view showing a front, top and right side thereof;  
FIG. 8 is a perspective view showing a rear, bottom and left side thereof;  
FIG. 9 is a perspective view showing a front, right side and bottom thereof; and,  
FIG. 10 is a perspective view showing a rear, left side and top thereof.

**1 Claim, 10 Drawing Sheets**



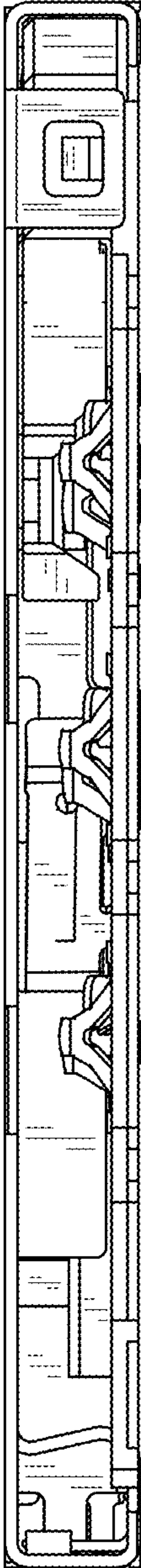


FIG. 1

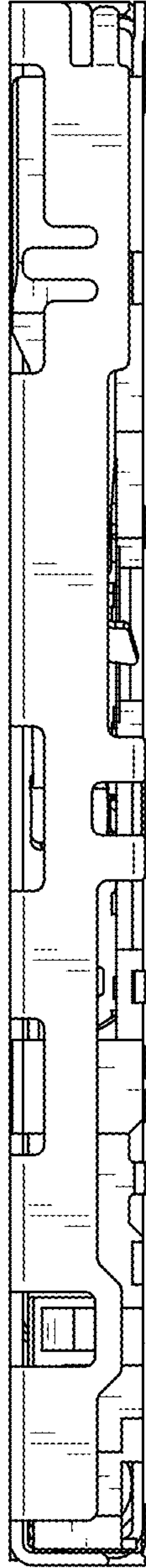


FIG. 2

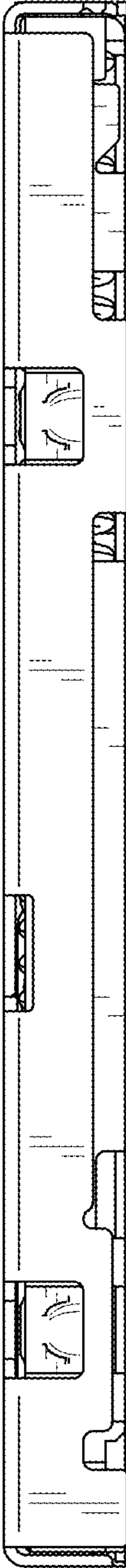


FIG. 3

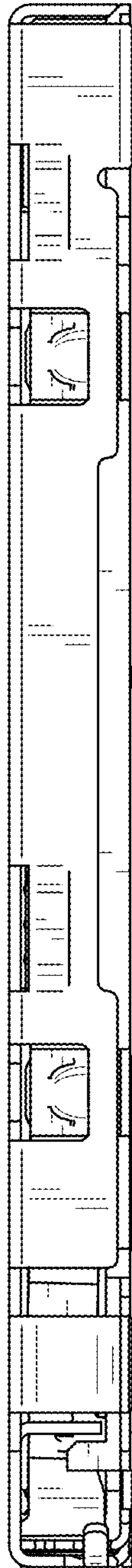


FIG. 4



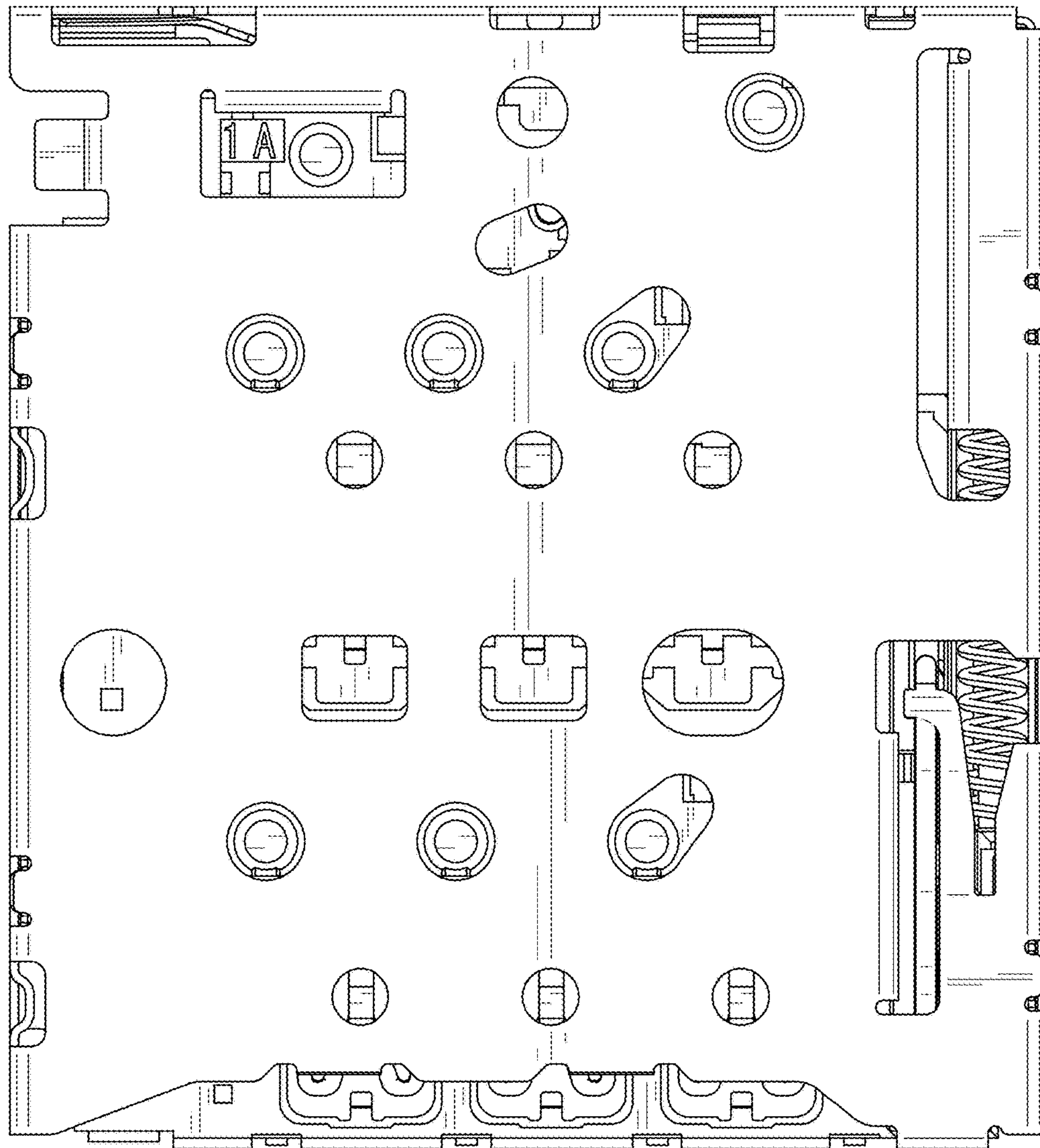


FIG. 5

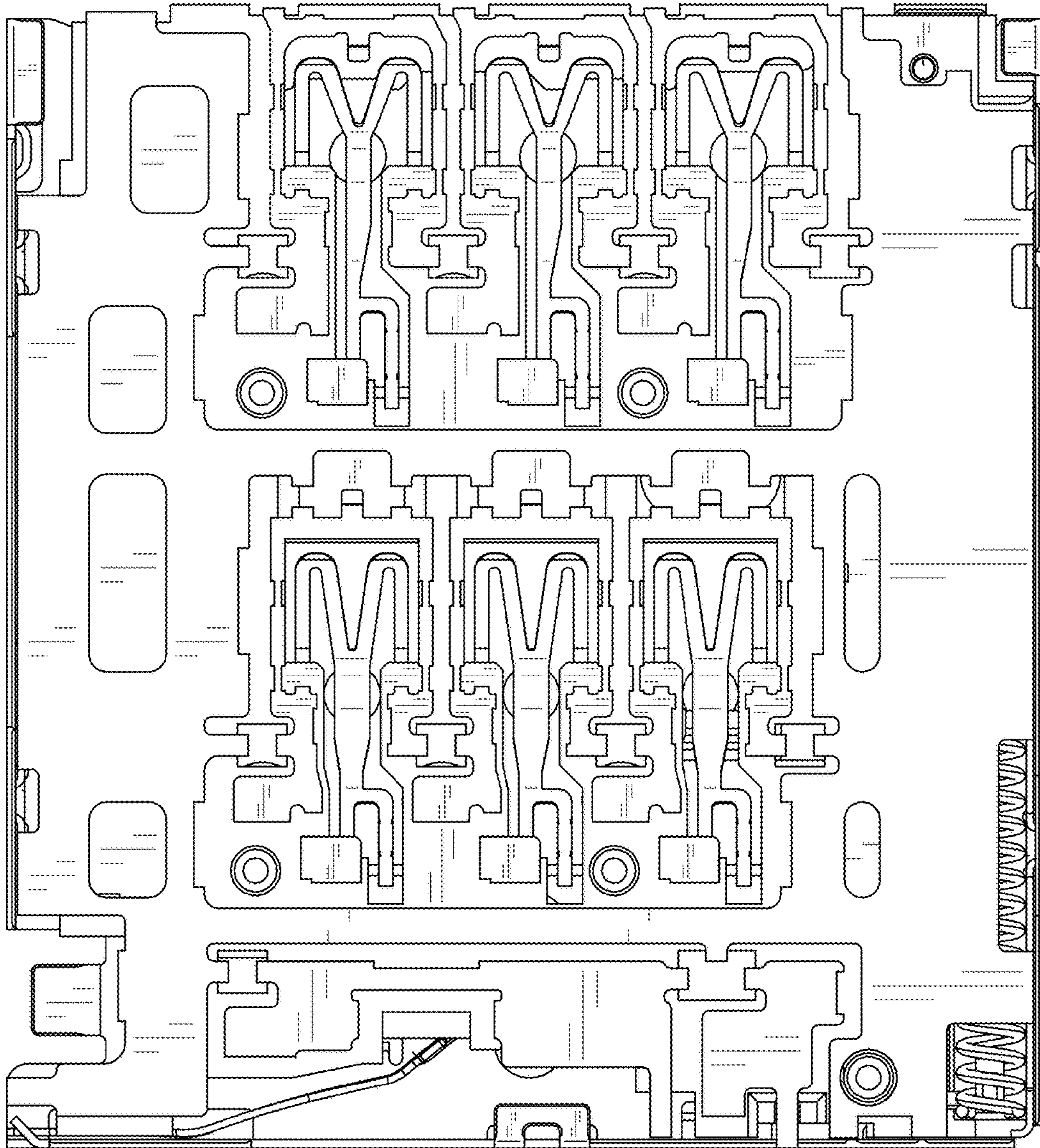


FIG. 6

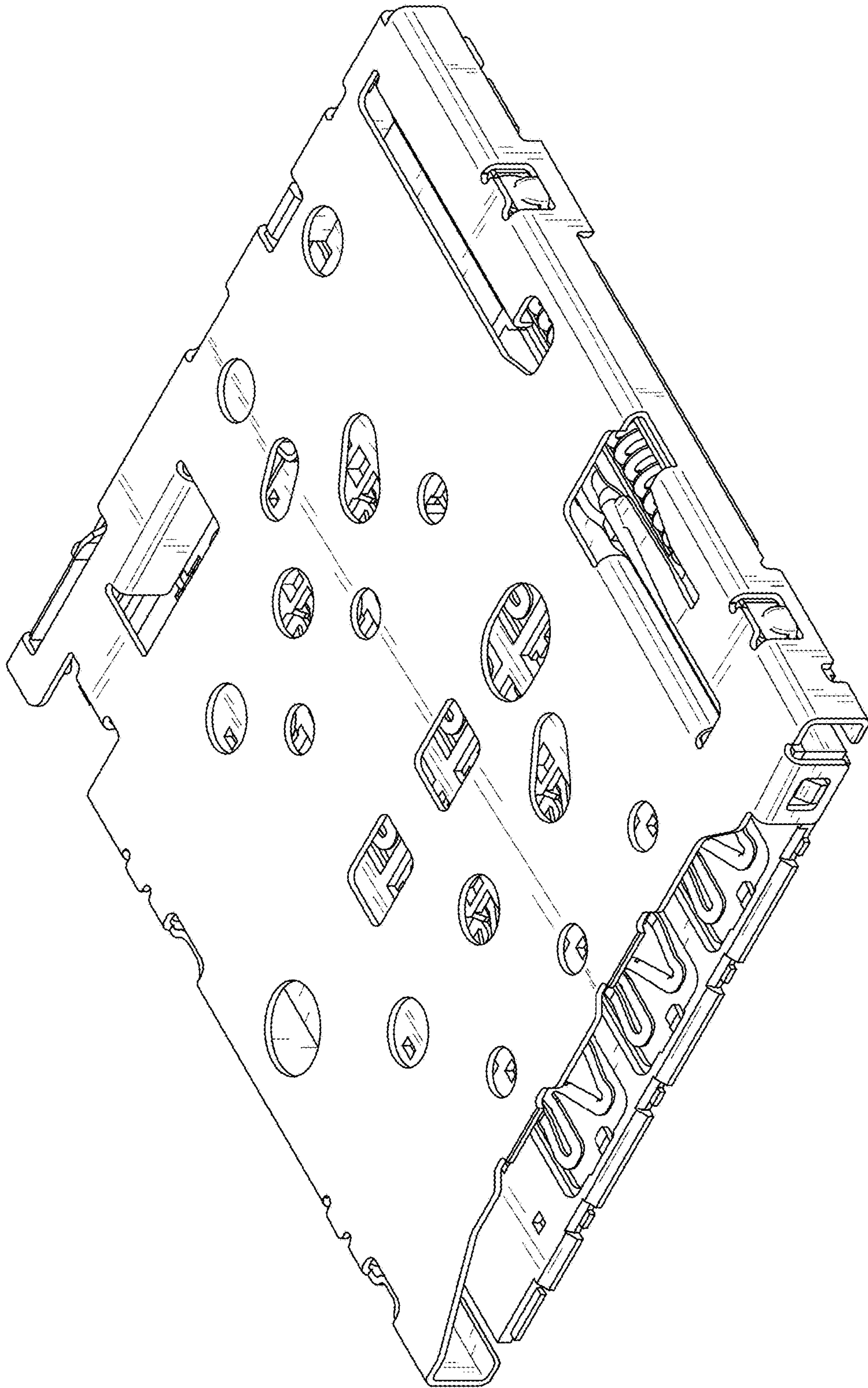


FIG. 7



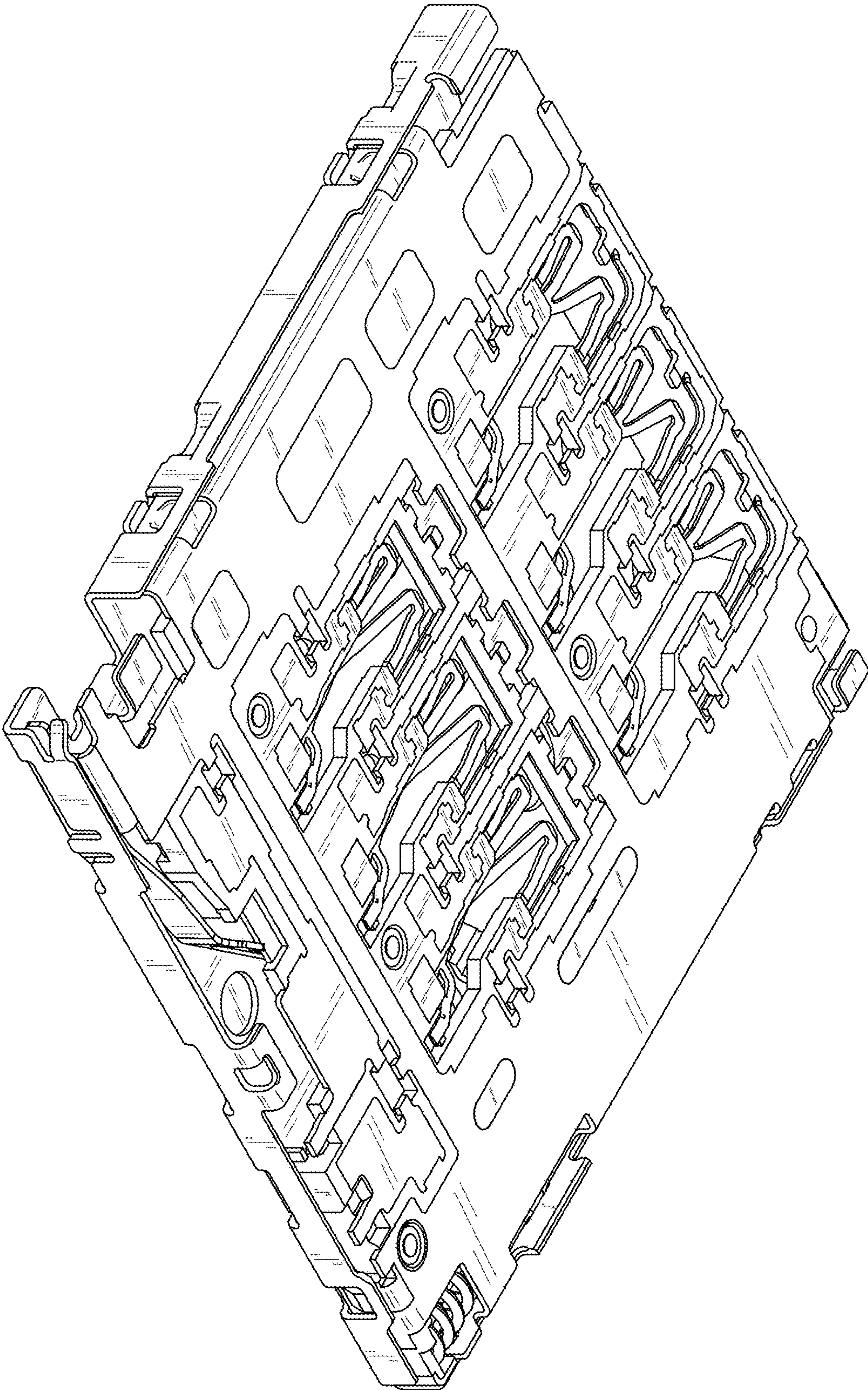


FIG. 8



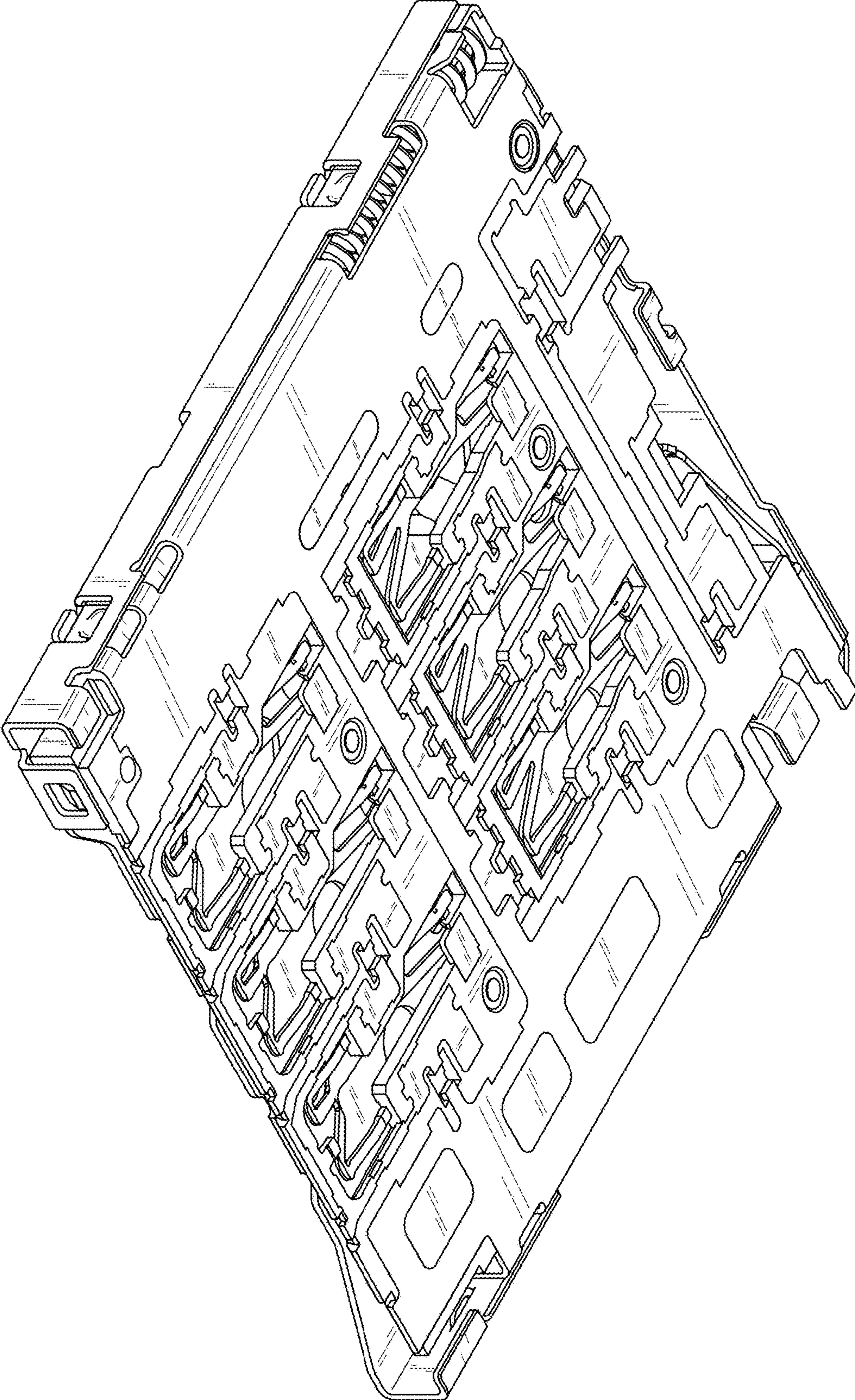


FIG. 9

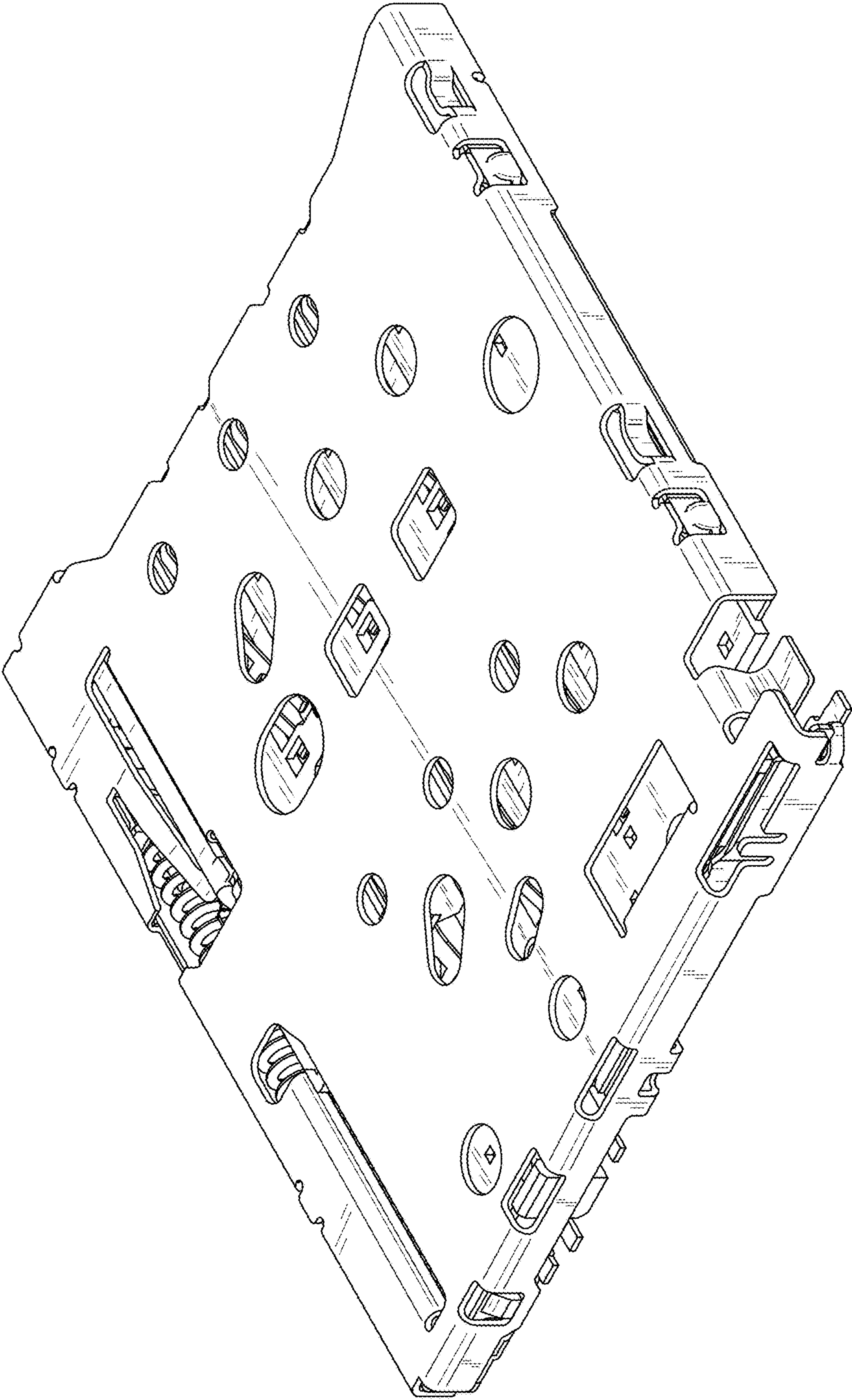


FIG. 10