



US00D798819S

(12) **United States Design Patent**  
**Xu**

(10) **Patent No.:** **US D798,819 S**

(45) **Date of Patent:** **\*\* Oct. 3, 2017**

(54) **POWER STRIP**

(71) Applicant: **Guangdong BESTEK E-commerce Co., Ltd., Shenzhen (CN)**

(72) Inventor: **Xinhua Xu, Shenzhen (CN)**

(73) Assignee: **Guangdong BESTEK E-commerce Co., Ltd., Shenzhen (CN)**

(\*\*) Term: **15 Years**

(21) Appl. No.: **29/575,994**

(22) Filed: **Aug. 31, 2016**

(51) **LOC (10) Cl.** ..... **13-03**

(52) **U.S. Cl.**  
USPC ..... **D13/139.8**

(58) **Field of Classification Search**  
USPC ..... D13/108, 110, 123, 133, 137.1–137.4,  
D13/138.1–138.2, 139.1–139.8, 152–154,  
D13/156, 158, 177; D8/350–353, 331;  
D25/138, 163, 164  
CPC ..... H01R 25/00; H01R 25/006  
See application file for complete search history.

(56) **References Cited**

**U.S. PATENT DOCUMENTS**

- 5,292,257 A \* 3/1994 Milan ..... H01R 13/6666  
439/214
- D446,189 S \* 8/2001 Lee ..... D13/139.8
- D446,503 S \* 8/2001 Lee ..... D13/139.8
- D484,099 S \* 12/2003 Bettencourt ..... D13/139.4

- D585,379 S \* 1/2009 Gershfeld ..... D13/139.4
- D693,305 S \* 11/2013 Kuo ..... D13/137.2
- D762,175 S \* 7/2016 Byrne ..... D13/137.2
- D775,077 S \* 12/2016 Xu ..... D13/137.2
- D775,081 S \* 12/2016 Xu ..... D13/139.6

**OTHER PUBLICATIONS**

Amazon.com: Bestek Power Strip. Published Oct. 31, 2016. Retrieved from the internet at <<https://www.amazon.com/BESTEK-4-Outlet-Protector-Extension-listed-Gift/dp/B01IUR082O>>, Jul. 19, 2017. 1 page.\*

\* cited by examiner

*Primary Examiner* — Rosemary K Tarcza  
*Assistant Examiner* — Christy Nemeth

(57) **CLAIM**

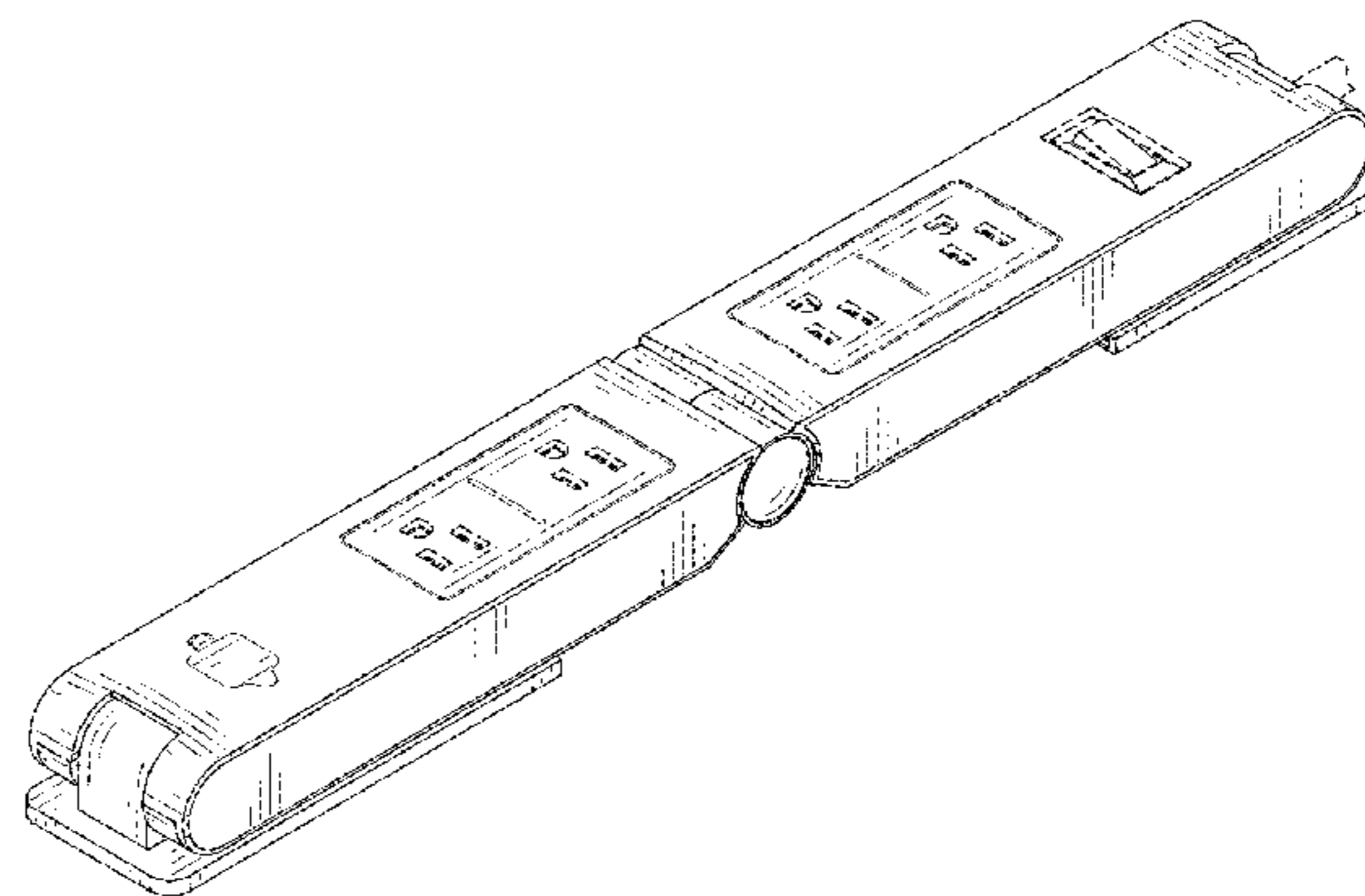
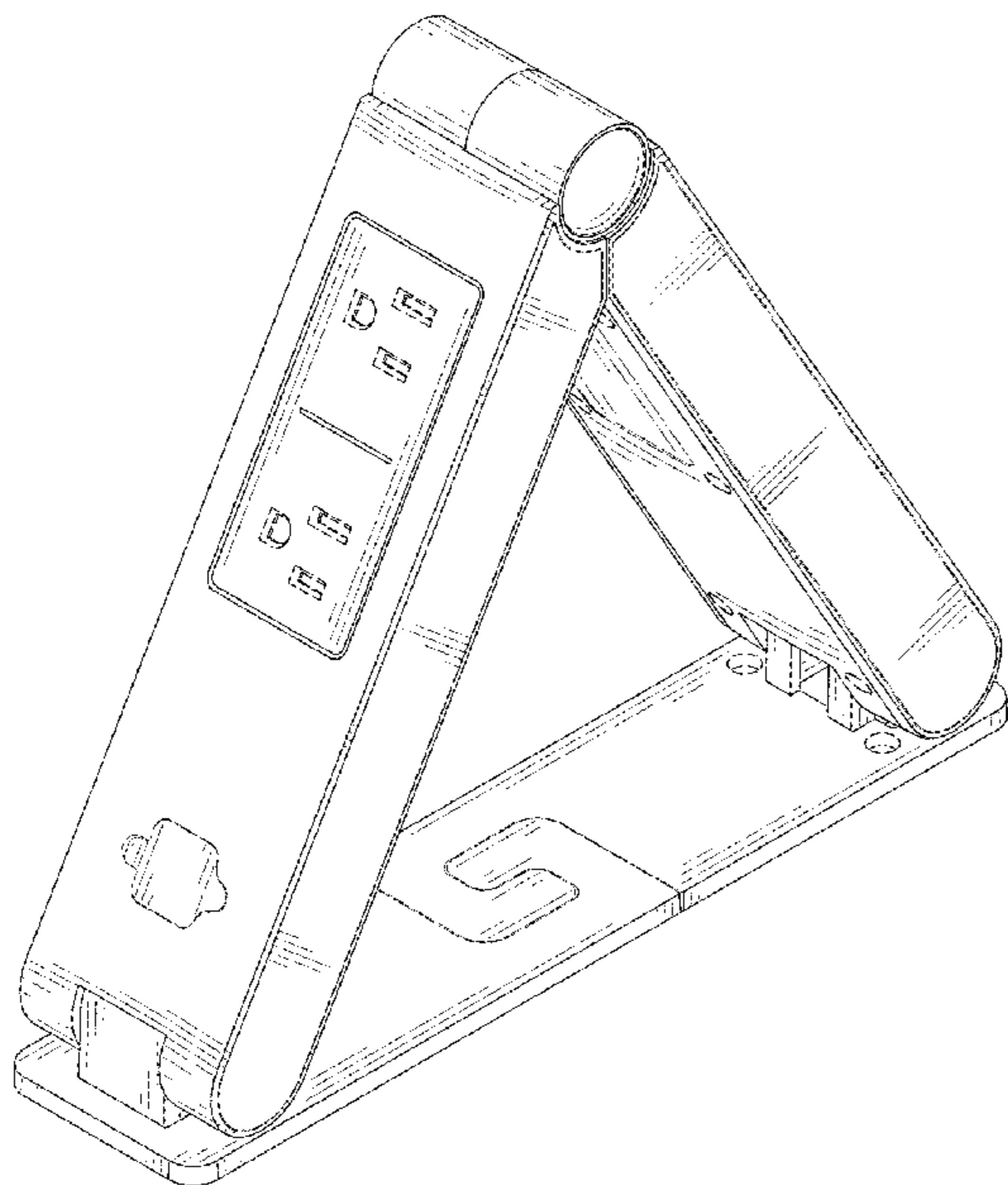
The ornamental design for a power strip, as shown and described.

**DESCRIPTION**

FIG. 1 is a perspective view of a power strip in an upright state, showing my new design;  
FIG. 2 is a front elevational view thereof;  
FIG. 3 is a rear elevational view thereof;  
FIG. 4 is a left side elevational view thereof;  
FIG. 5 is a right side elevational view thereof;  
FIG. 6 is a top plan view thereof;  
FIG. 7 is a bottom plan view thereof; and,  
FIG. 8 is a perspective view of the power strip in a flattened state.

The broken lines in the drawings are for the purpose of illustrating portions of the power strip that form no part of the claimed design.

**1 Claim, 8 Drawing Sheets**



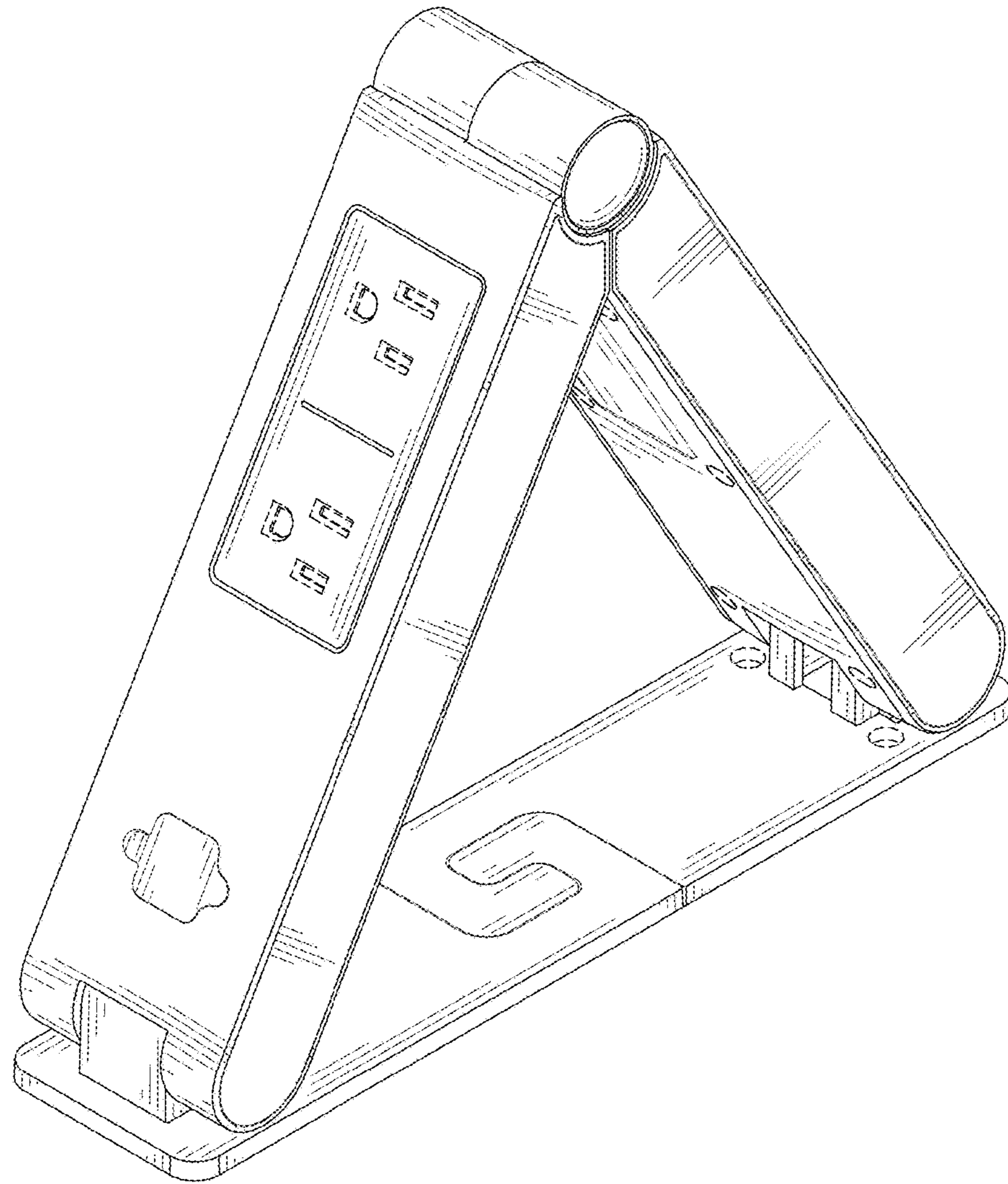


FIG. 1

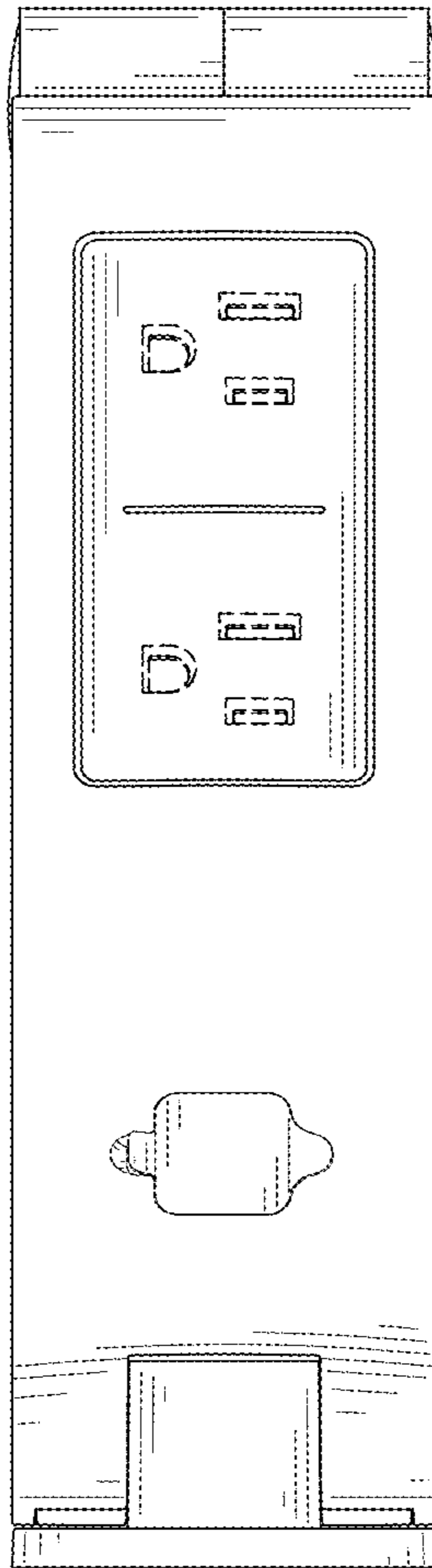


FIG. 2

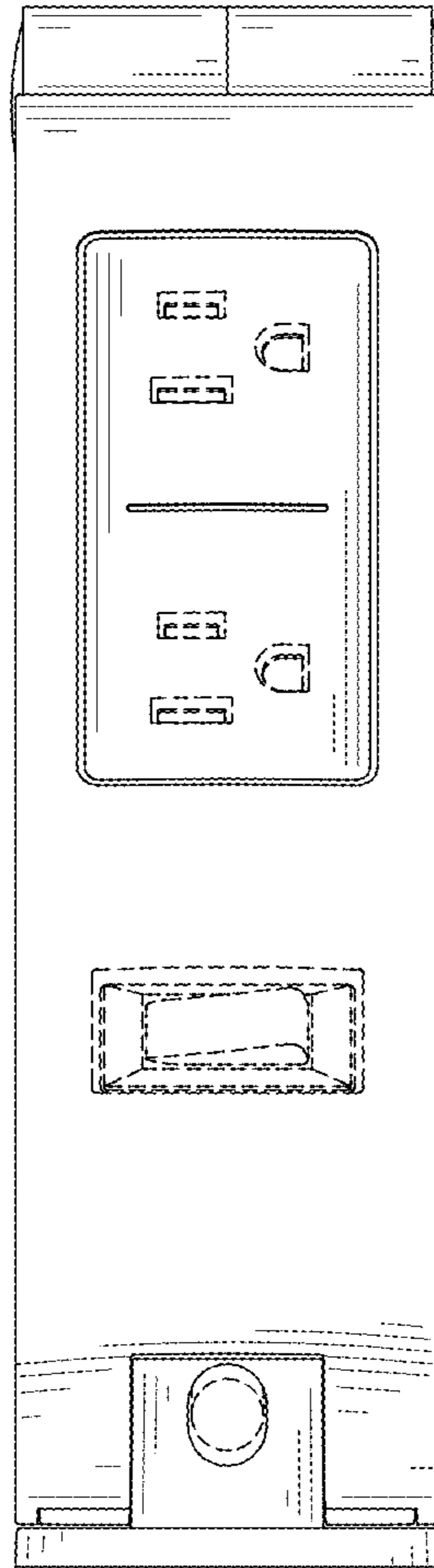


FIG. 3

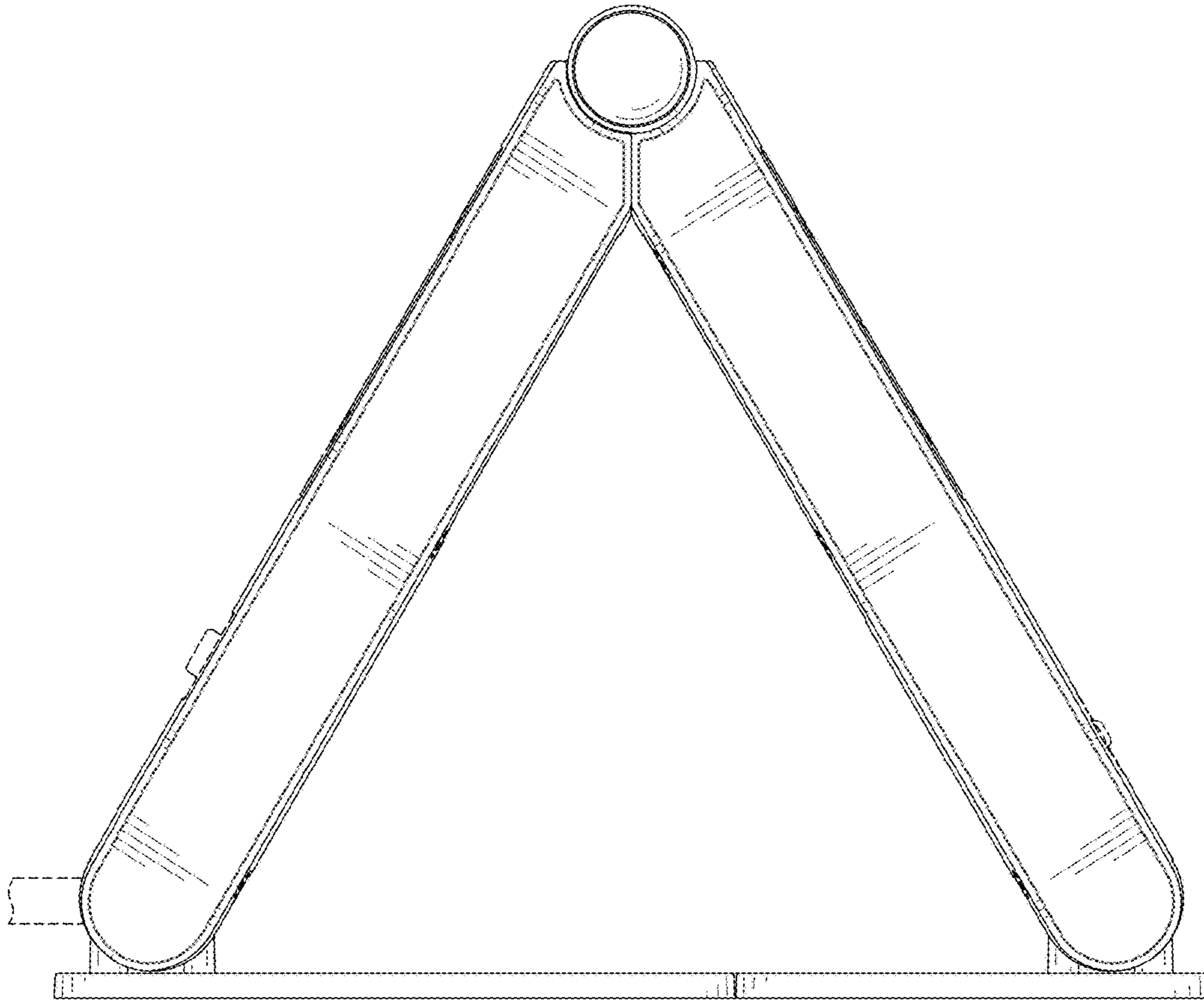


FIG. 4

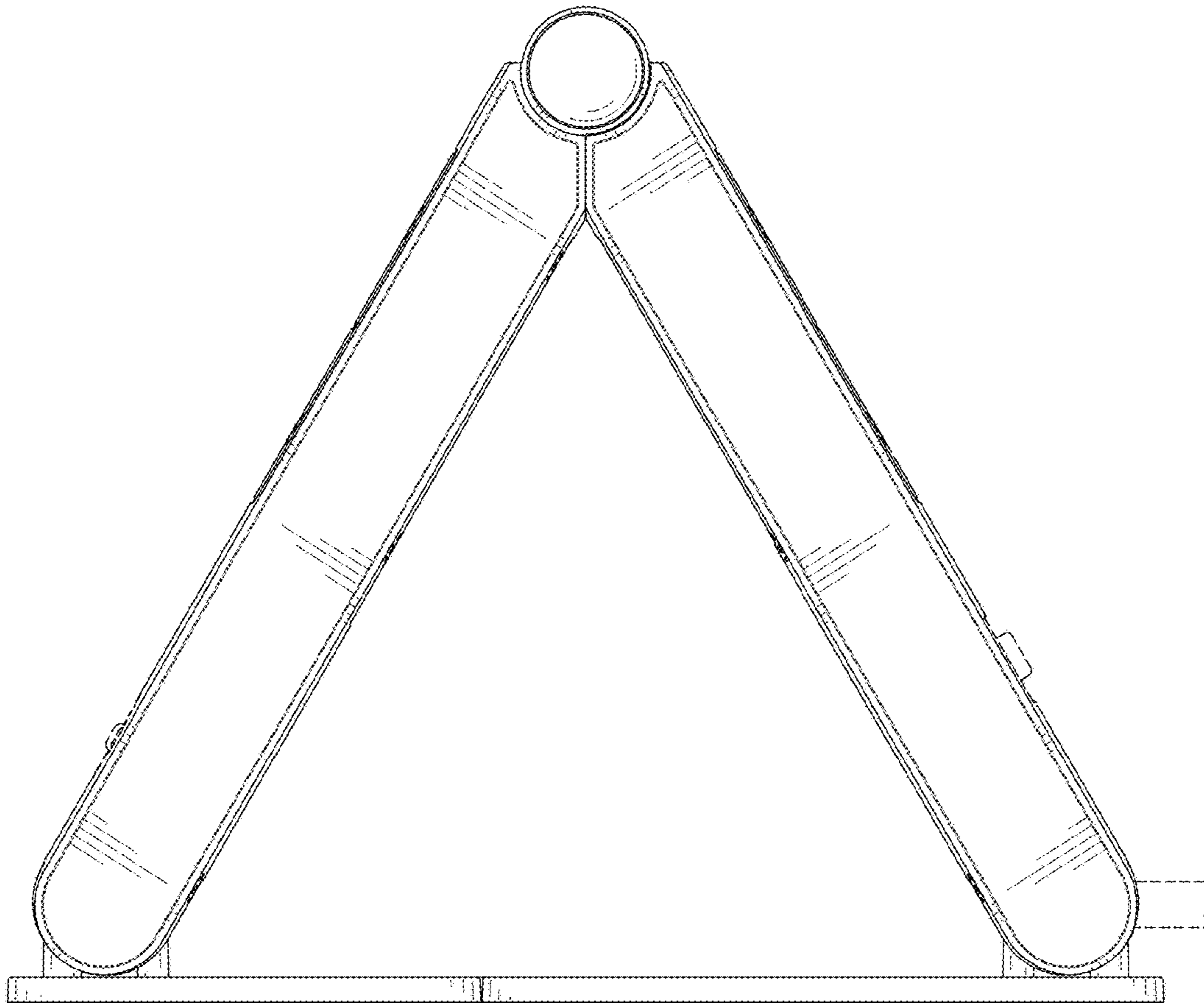


FIG. 5

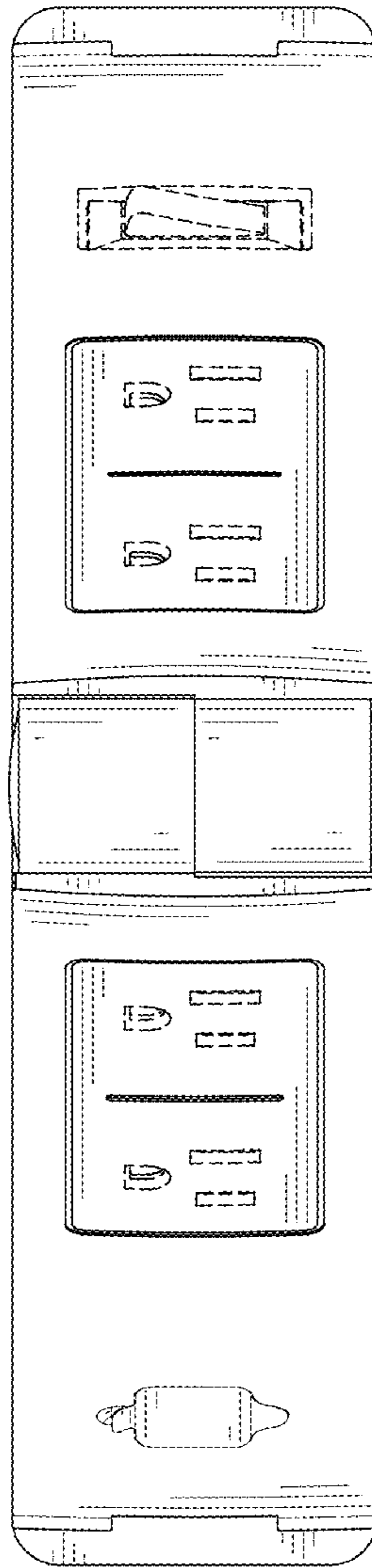


FIG. 6

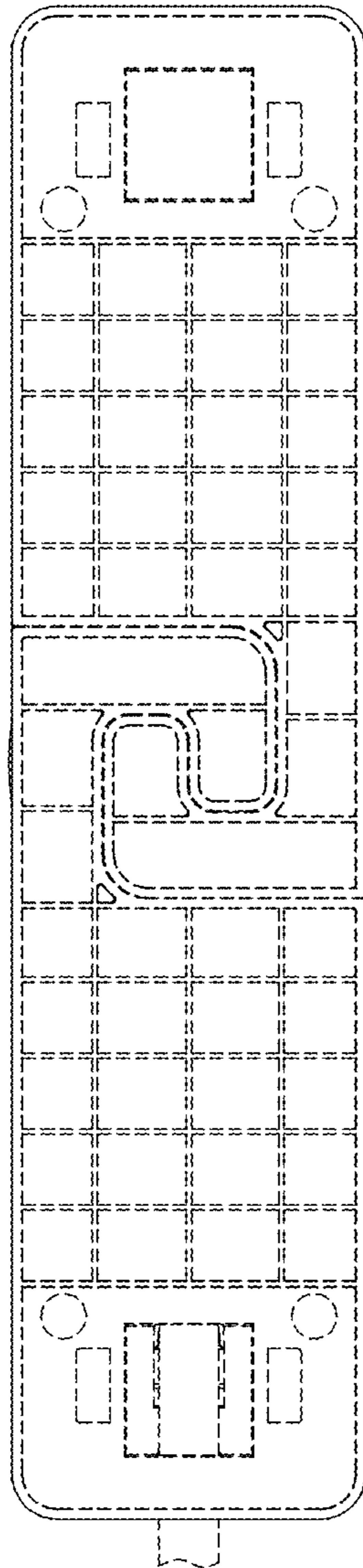


FIG. 7



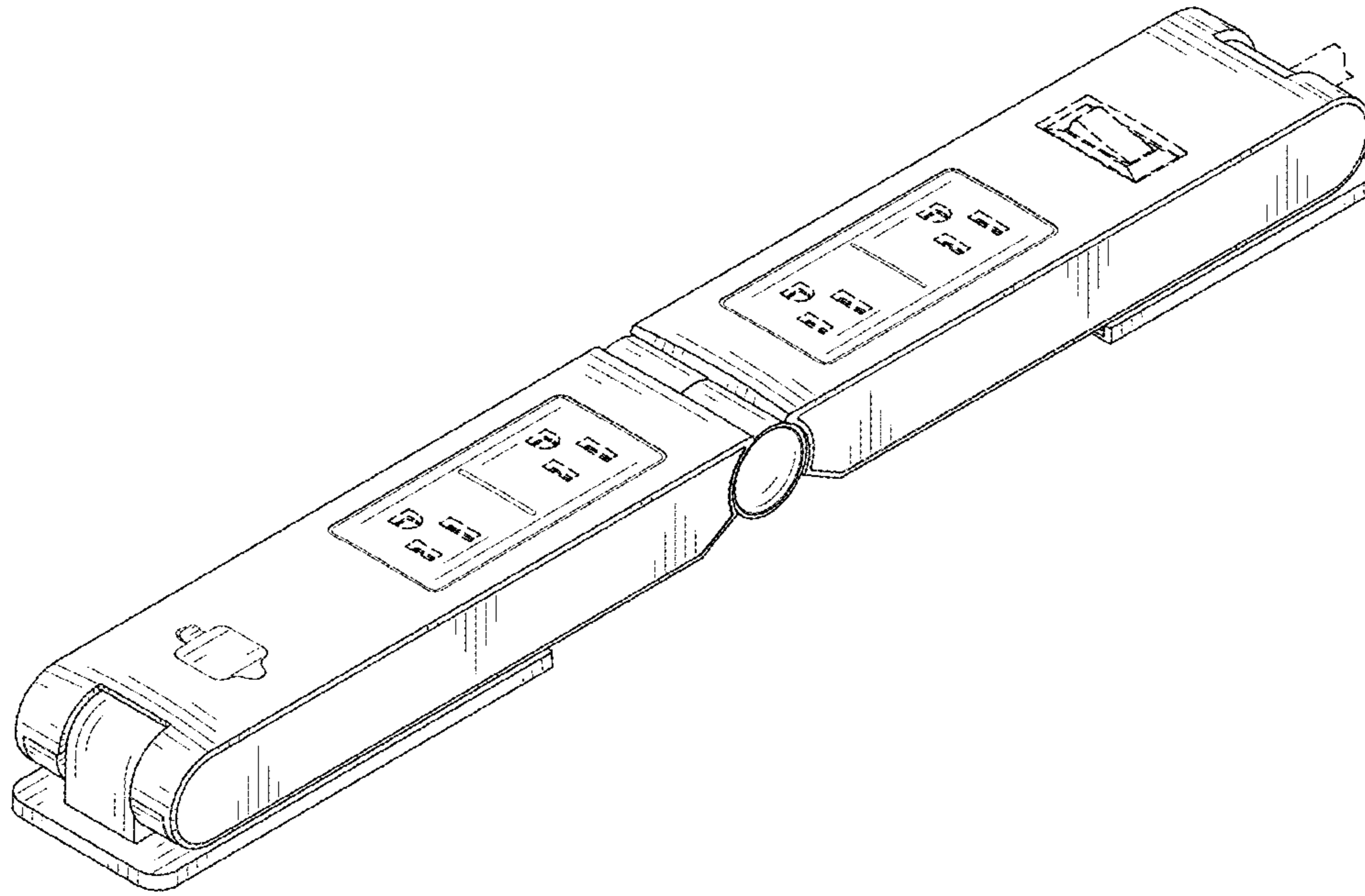


FIG. 8