



US00D798817S

(12) **United States Design Patent** (10) **Patent No.:** **US D798,817 S**
Wang (45) **Date of Patent:** **** Oct. 3, 2017**

(54) **FEMALE CONNECTOR HOUSING**

(71) Applicant: **Jen-Ching Wang**, New Taipei (TW)

(72) Inventor: **Jen-Ching Wang**, New Taipei (TW)

(**) Term: **15 Years**

(21) Appl. No.: **29/565,259**

(22) Filed: **May 19, 2016**

(51) **LOC (10) Cl.** **13-03**

(52) **U.S. Cl.**
USPC **D13/139.1**; D13/156

(58) **Field of Classification Search**
USPC D13/107, 108, 110, 118, 123, 133, 134,
D13/137.2, 137.3, 139.1, 139.2, 146, 147,
D13/148, 149, 150, 151, 152, 154, 156,
D13/158, 159, 162, 173, 179, 184, 199
CPC H01R 13/05; H01R 13/193; H01R 13/02;
H01R 13/44; H01R 13/58; H01R 13/62;
H01R 13/627; H01R 13/66; H01R 13/72;
H01R 13/73; F16H 57/04; C23C
16/45525; C23C 16/45574; C23C
16/4409; C23C 16/4557; F02D 9/12;
H01J 49/0495; B01F 3/04262
See application file for complete search history.

(56) **References Cited**

U.S. PATENT DOCUMENTS

4,390,226	A *	6/1983	Hohn	H01R 13/193	439/144
6,695,621	B1 *	2/2004	Wang	H01R 13/447	439/35
7,118,379	B1 *	10/2006	Wang	H01R 13/6641	439/35
7,594,816	B1 *	9/2009	Wang	B60D 1/64	439/35
9,590,342	B1 *	3/2017	Shaeffer	B60D 1/64	
2002/0125771	A1 *	9/2002	Kaminski	B60D 1/62	307/10.1

2009/0176382	A1 *	7/2009	Chen	H01R 27/02	439/35
2013/0078866	A1 *	3/2013	Su	H01R 12/57	439/660
2013/0137283	A1 *	5/2013	Lin	H01R 13/518	439/140
2014/0377970	A1 *	12/2014	Crovetti	H01R 13/5213	439/131
2016/0372904	A1 *	12/2016	Nakayama	H01R 13/5833	

OTHER PUBLICATIONS

Pollak 11-916P, posted at Amazon.com, posted on Oct. 26, 2009, [online], [site visited Apr. 17, 2017]. Available from Internet, <<https://www.amazon.com/Pollak-11-916P-7-Way-Socket-Style/dp/B002UC4Y6C>>.*

(Continued)

Primary Examiner — Mary Ann Calabrese
Assistant Examiner — Catherine Ho
(74) *Attorney, Agent, or Firm* — Jackson IPG PLLC;
Demian K. Jackson

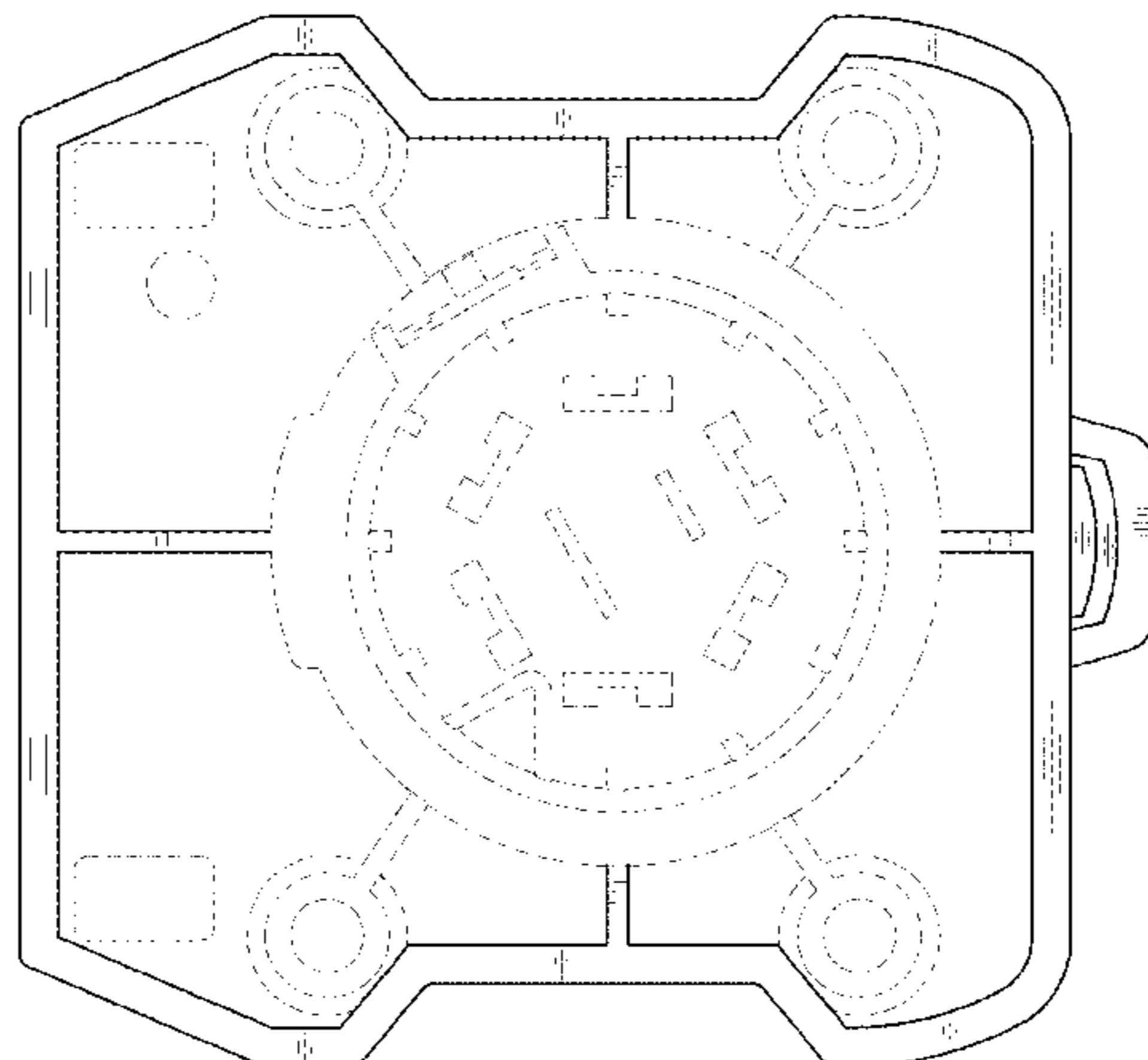
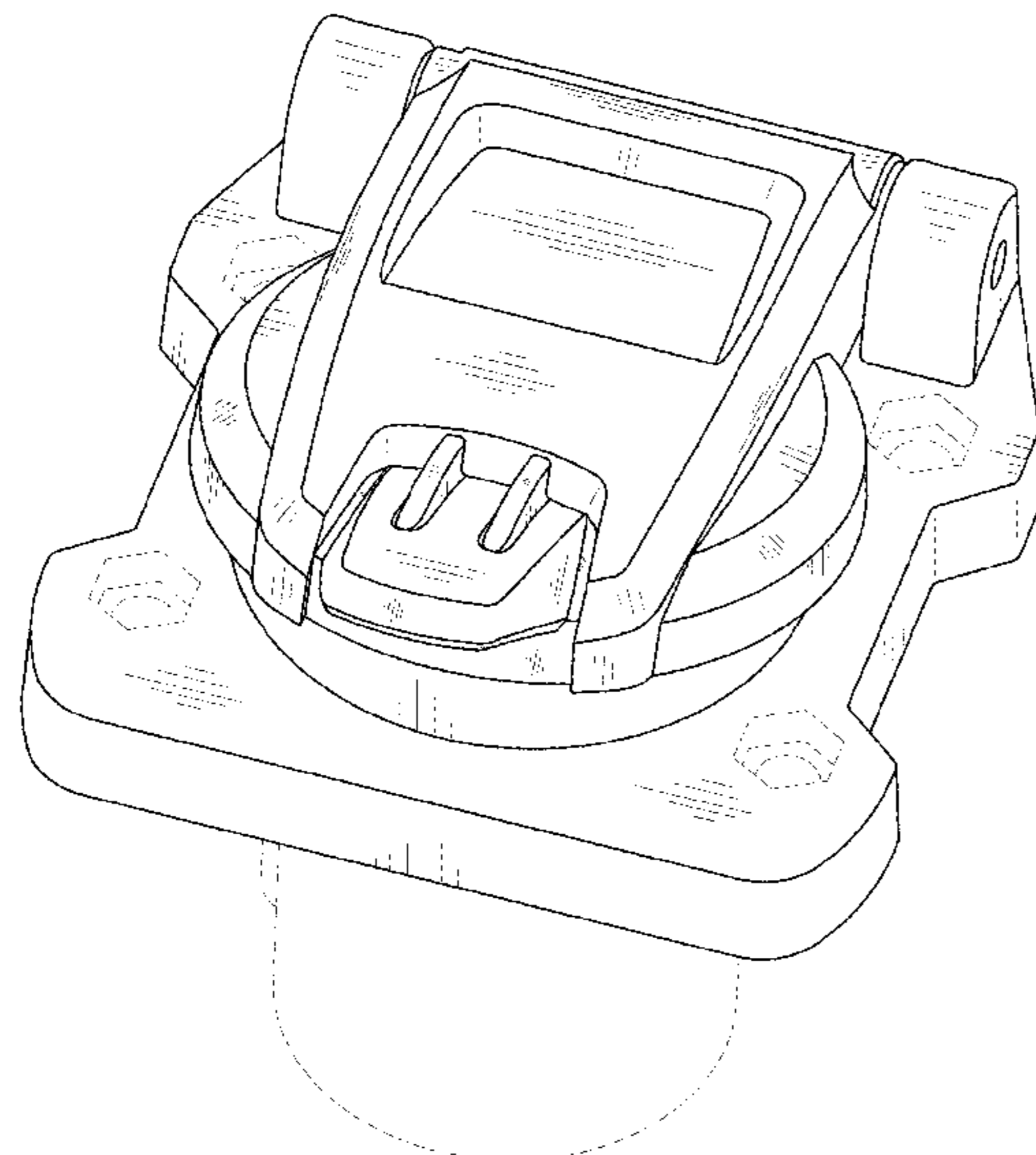
(57) **CLAIM**

The ornamental design for female connector housing, as shown and described.

DESCRIPTION

FIG. 1 is a perspective view of a female connector housing showing my new design;
FIG. 2 is a front elevational view thereof;
FIG. 3 is a rear elevational view thereof;
FIG. 4 is a top plan view thereof;
FIG. 5 is a bottom plan view thereof;
FIG. 6 is a left side elevational view thereof; and,
FIG. 7 is a right side elevational view thereof.
Those portions of the illustrated design indicated by broken lines form no part of the claimed design.

1 Claim, 7 Drawing Sheets



(56)

References Cited

OTHER PUBLICATIONS

Pollak 11-893P, posted at Amazon.com, posted on Sep. 18, 2012, [online], [site visited Apr. 17, 2017]. Available from Internet, <<https://www.amazon.com/Pollak-11-893P-7-Way-Socket-Style/dp/B000B6NQHWW>>.*

Hopkins 48470, posted at Amazon.com, posted on Sep. 8, 2010, [online], [site visited Apr. 17, 2017]. Available from Internet, <<https://www.amazon.com/Hopkins-48470-Endurance-Multi-Tow-Connector/dp/B004N5U7DS>>.*

Dorman 924-307, posted at Amazon.com, posted on Jan. 1, 2008, [online], [site visited Apr. 17, 2017]. Available from Internet, <<https://www.amazon.com/Dorman-924-307-Trailer-Plug/dp/B0033YK9A6>>.*

* cited by examiner

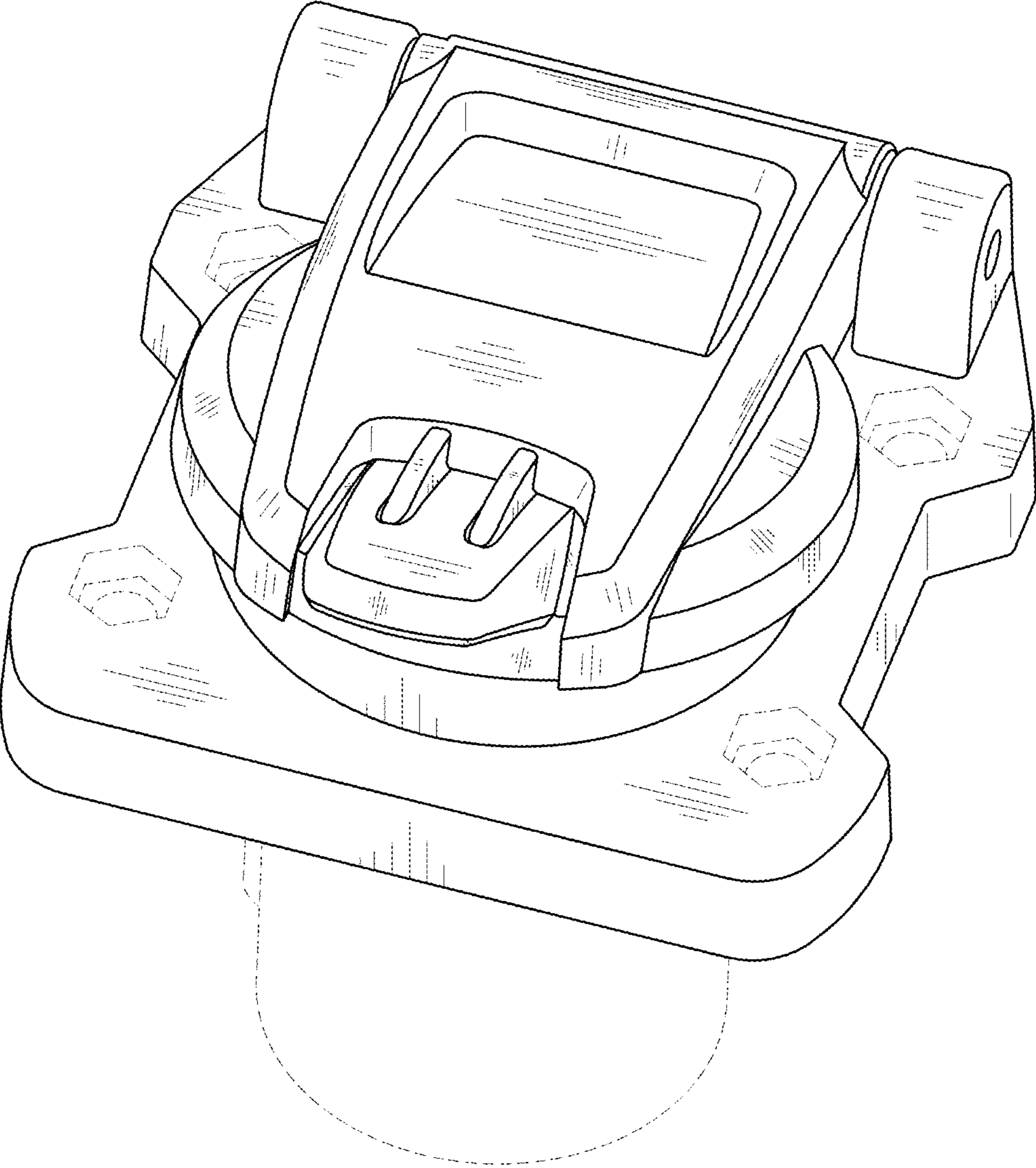


FIG. 1

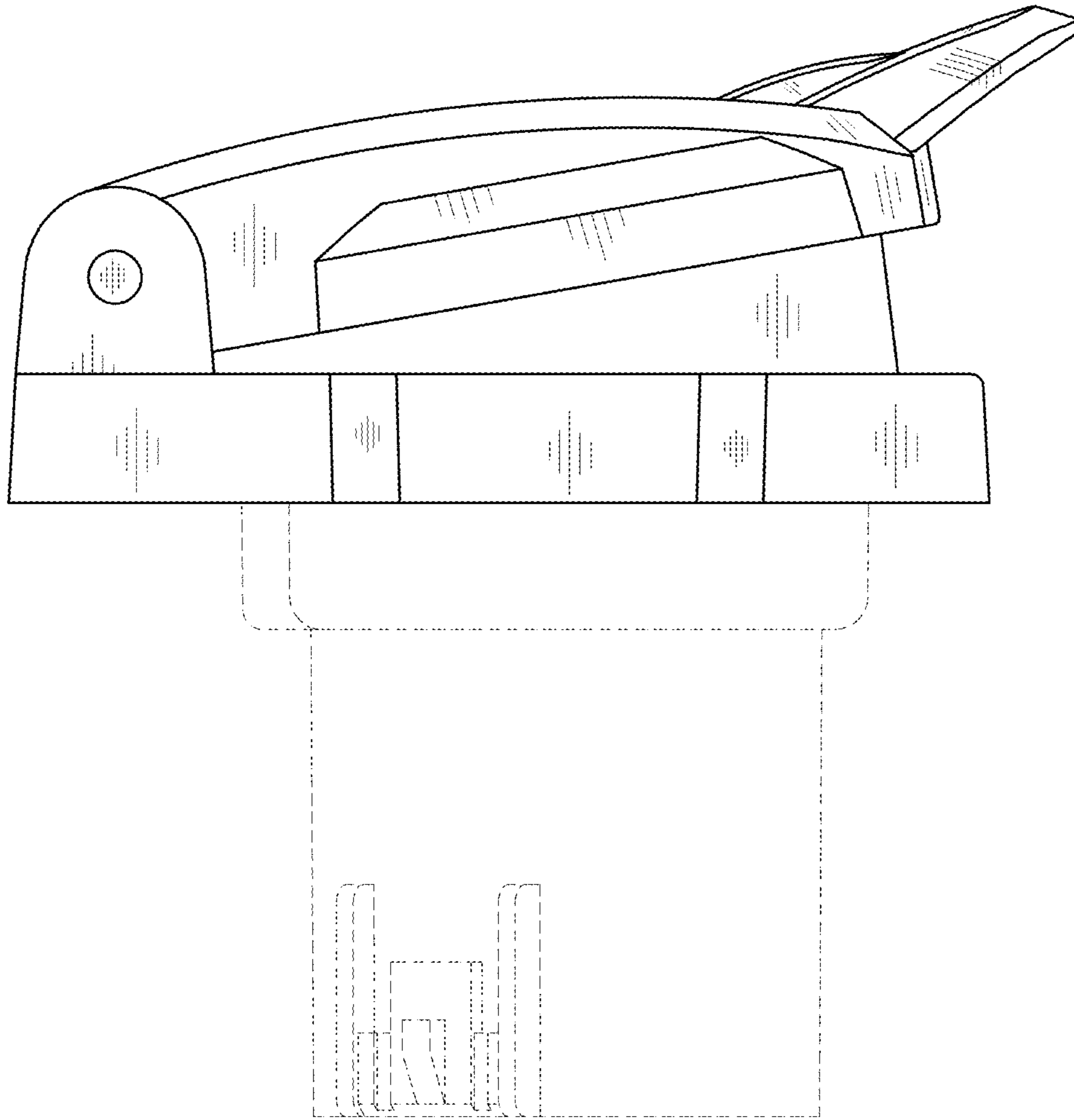


FIG. 2

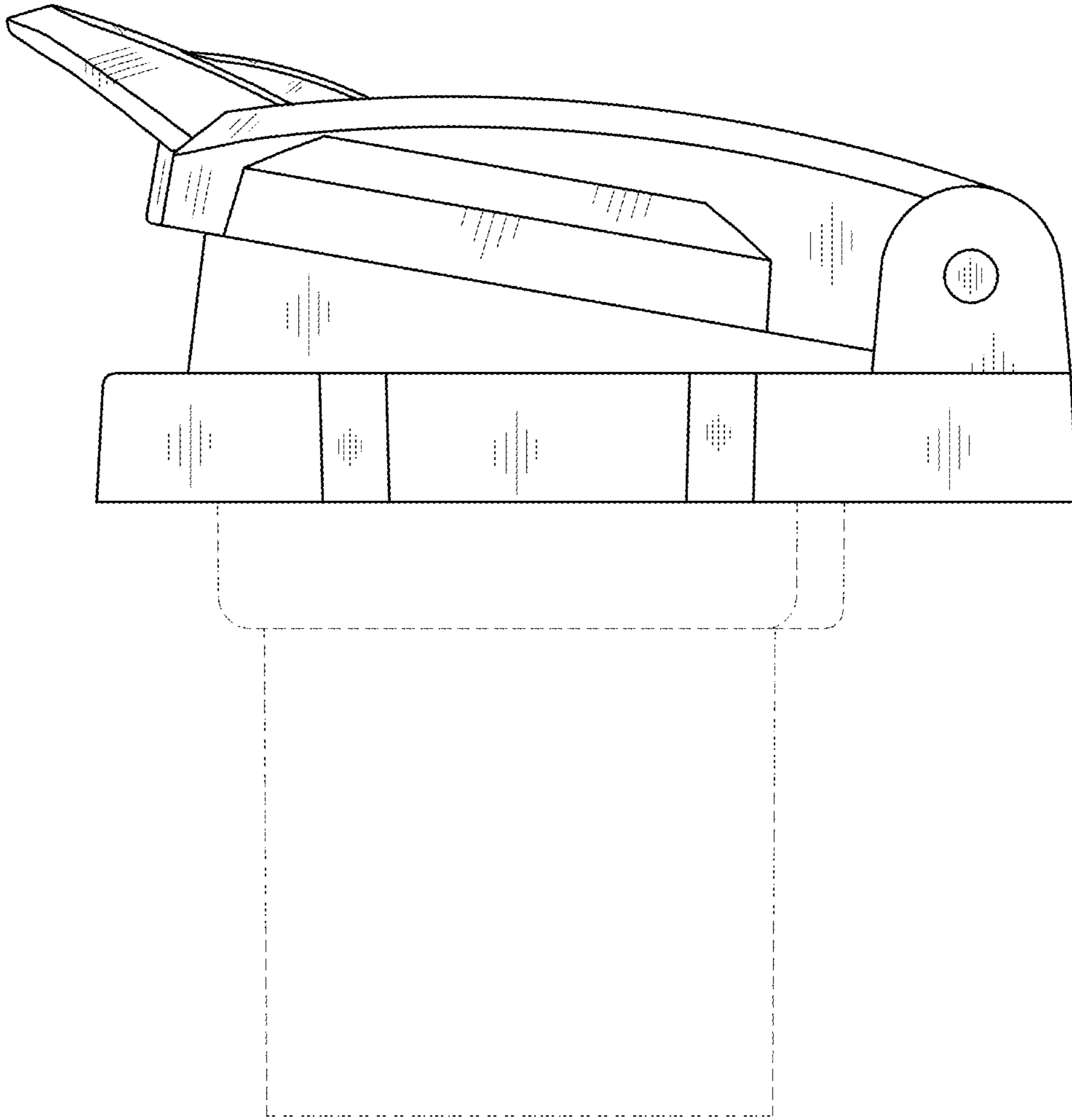


FIG. 3

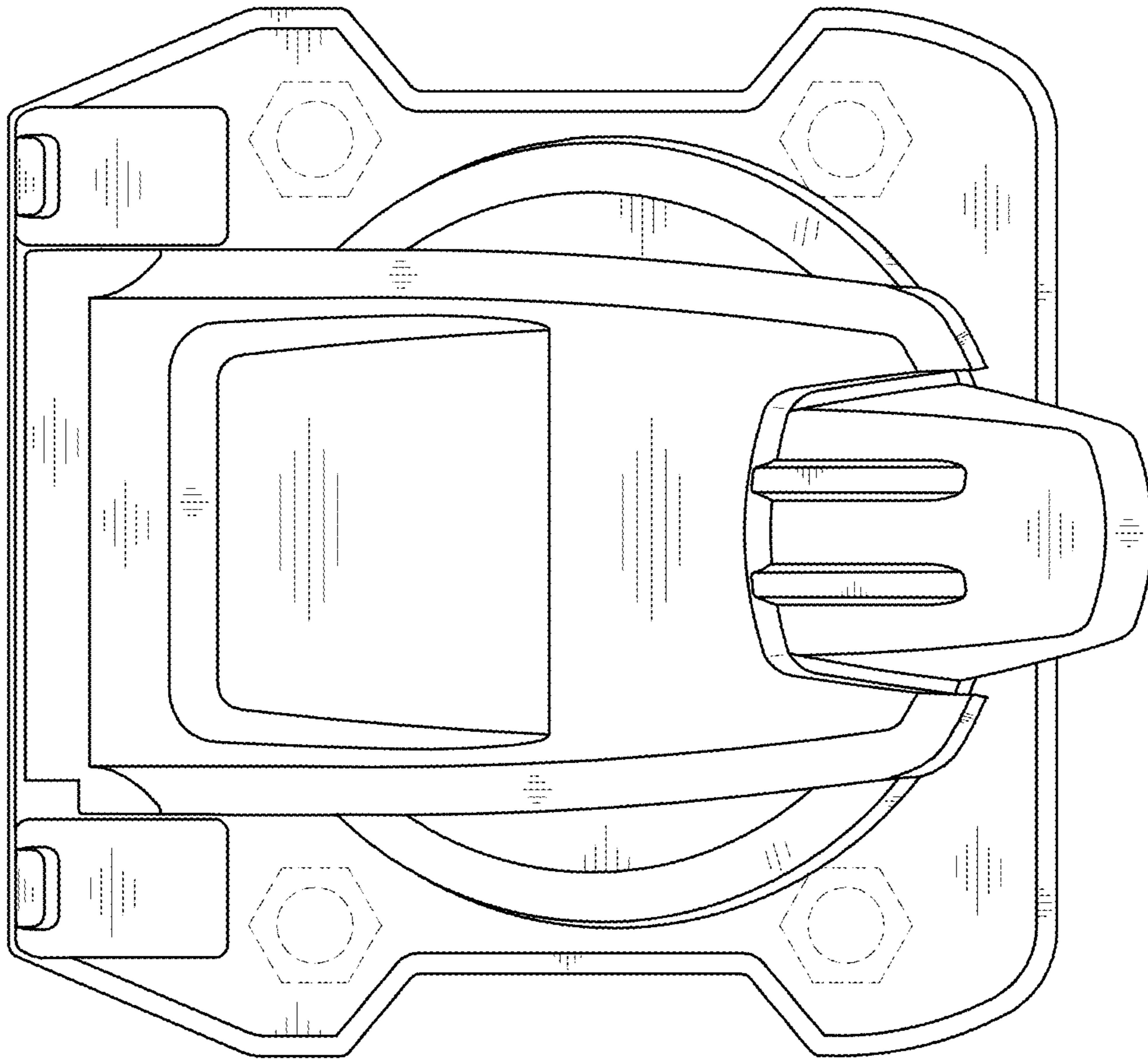


FIG. 4

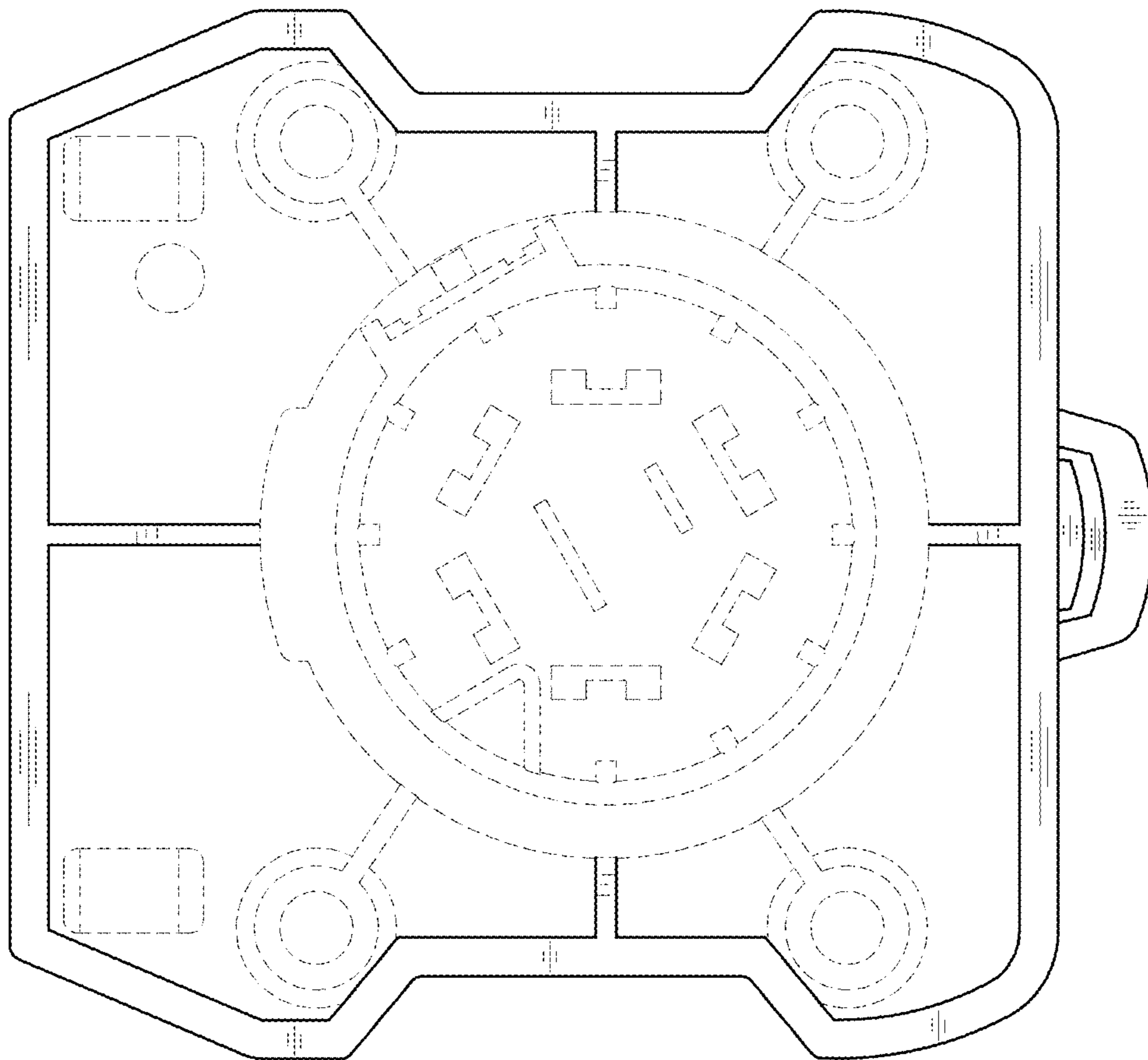


FIG. 5

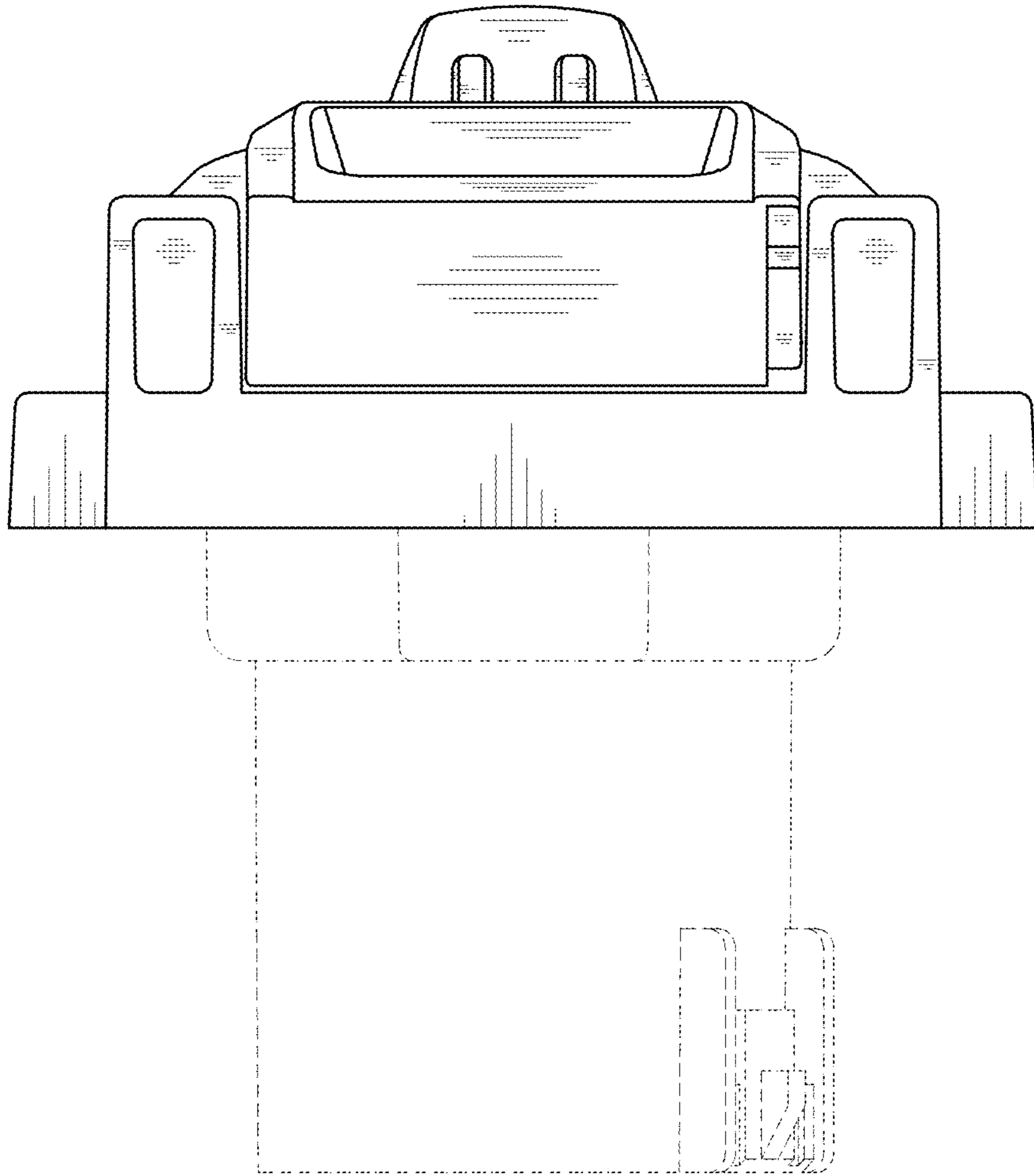


FIG. 6

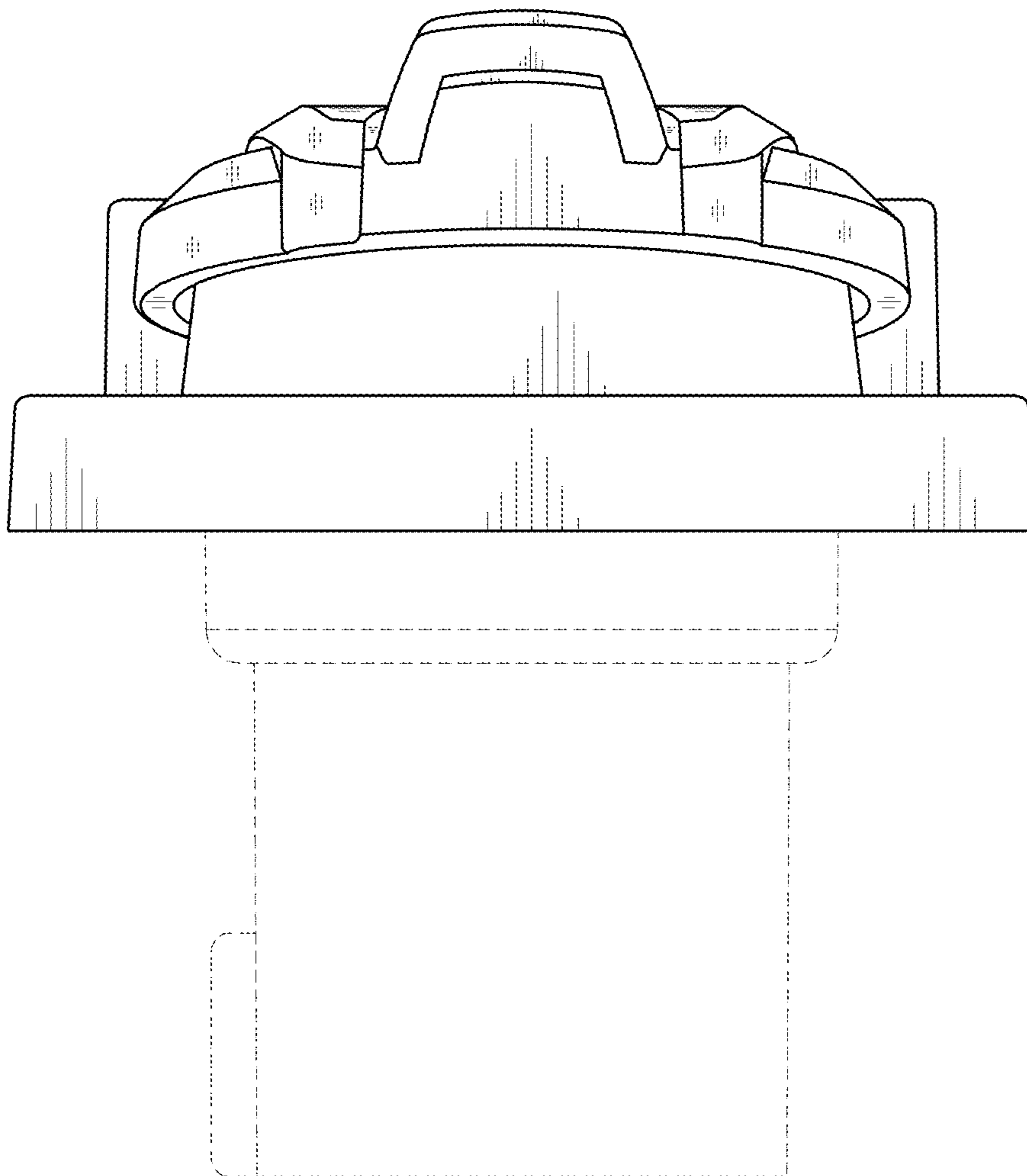


FIG. 7