



US00D798816S

(12) **United States Design Patent**
Grossinger et al.

(10) **Patent No.:** **US D798,816 S**

(45) **Date of Patent:** **** Oct. 3, 2017**

(54) **OUTLET**

(71) Applicant: **HOK Product Design, LLC**, Culver City, CA (US)

(72) Inventors: **Susan Grossinger**, Culver City, CA (US); **Brett Shwery**, Culver City, CA (US); **Javier Palomares**, Culver City, CA (US); **Junko Yamakawa**, Culver City, CA (US)

(73) Assignee: **HOK Product Design, LLC**, Culver City, CA (US)

(**) Term: **15 Years**

(21) Appl. No.: **29/559,389**

(22) Filed: **Mar. 28, 2016**

(51) **LOC (10) Cl.** **13-03**

(52) **U.S. Cl.**
USPC **D13/139.1**

(58) **Field of Classification Search**
USPC D13/108, 110, 123, 133, 137.1–137.4,
D13/138.1–138.2, 139.1–139.8, 152–154,
D13/156, 158, 177; D8/350–353
CPC H01R 25/00; H01R 25/006
See application file for complete search history.

(56) **References Cited**

U.S. PATENT DOCUMENTS

D320,992 S * 10/1991 Jondelius D14/253
D456,691 S * 5/2002 Bergin D8/354
D474,676 S * 5/2003 Bainbridge D8/354

D549,175 S * 8/2007 Slasinski D13/137.1
D632,649 S * 2/2011 Scheucher D13/110
D636,728 S * 4/2011 Terleski D13/139.4
D747,953 S * 1/2016 Thompson D8/349
D753,638 S * 4/2016 Tatem D14/239
D780,691 S * 3/2017 Reynolds D13/110

* cited by examiner

Primary Examiner — Rosemary K Tarcza

Assistant Examiner — Christy Nemeth

(74) *Attorney, Agent, or Firm* — Sughrue Mion, PLLC

(57) **CLAIM**

The ornamental design for an outlet, as shown and described.

DESCRIPTION

FIG. 1 is a front perspective view of an outlet.
FIG. 2 is a rear perspective view thereof.
FIG. 3 is a front elevation view thereof.
FIG. 4 is a rear elevation view thereof.
FIG. 5 is a right side elevation view thereof. A left side elevation view is a mirror image of the right side elevation view.
FIG. 6 is a top plan view thereof.
FIG. 7 is a bottom plan view thereof.
FIG. 8 is a cross-sectional view taken along the line 8-8 in FIG. 3; and,
FIG. 9 is a cross-sectional view taken along the line 9-9 in FIG. 5.
The broken lines shown in the drawings illustrate portions of the outlet that form no part of the claimed design.

1 Claim, 9 Drawing Sheets

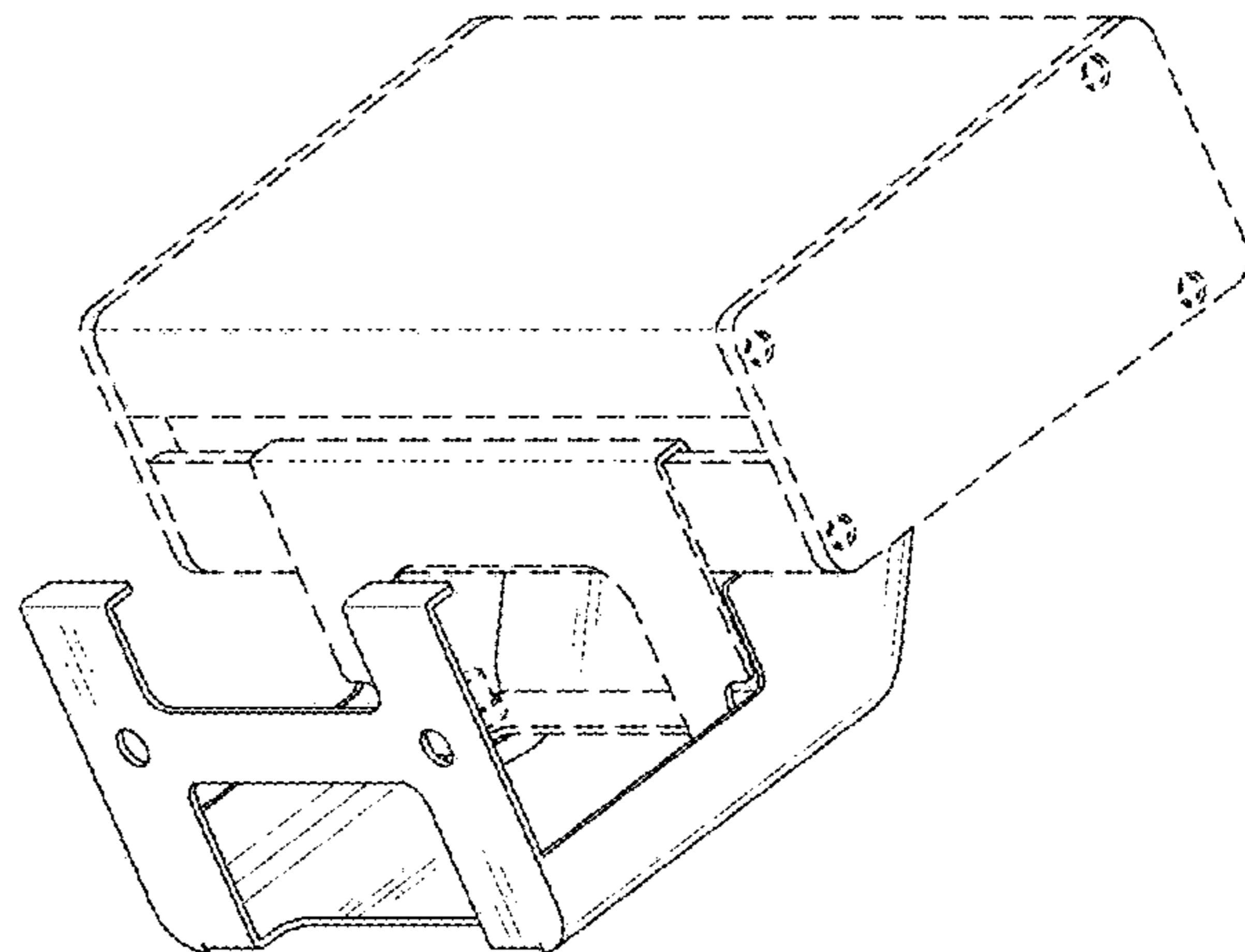
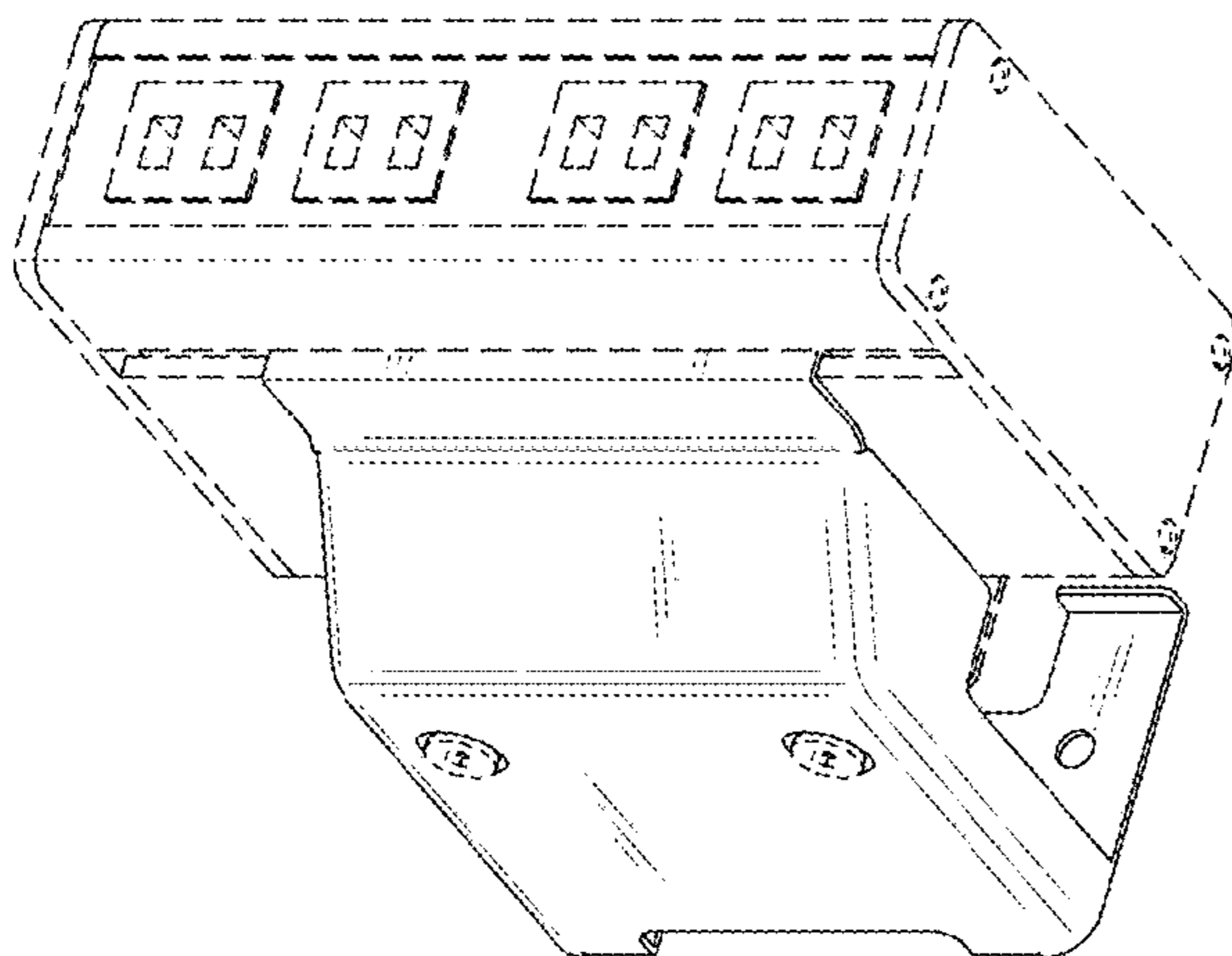


FIG. 1

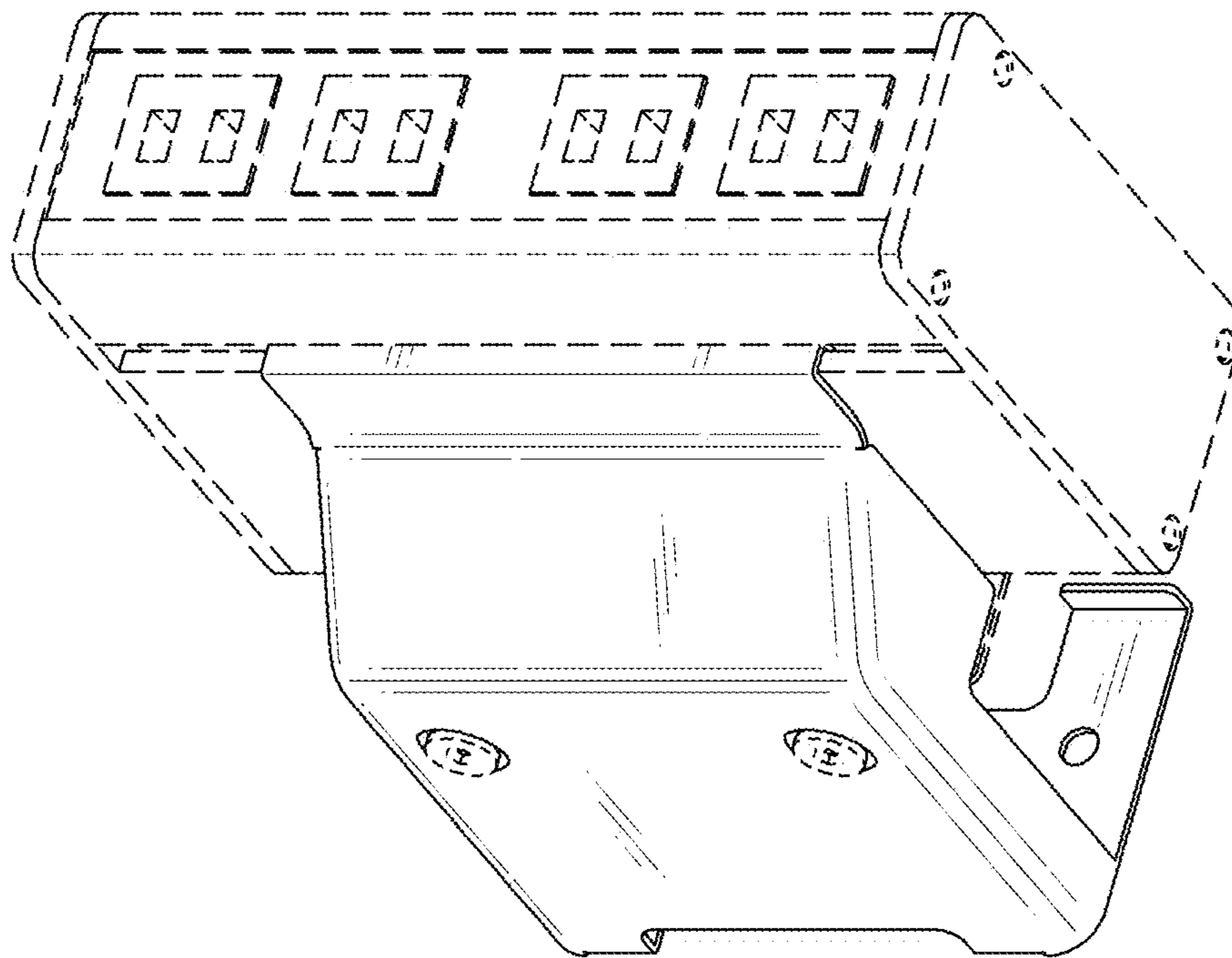


FIG. 2

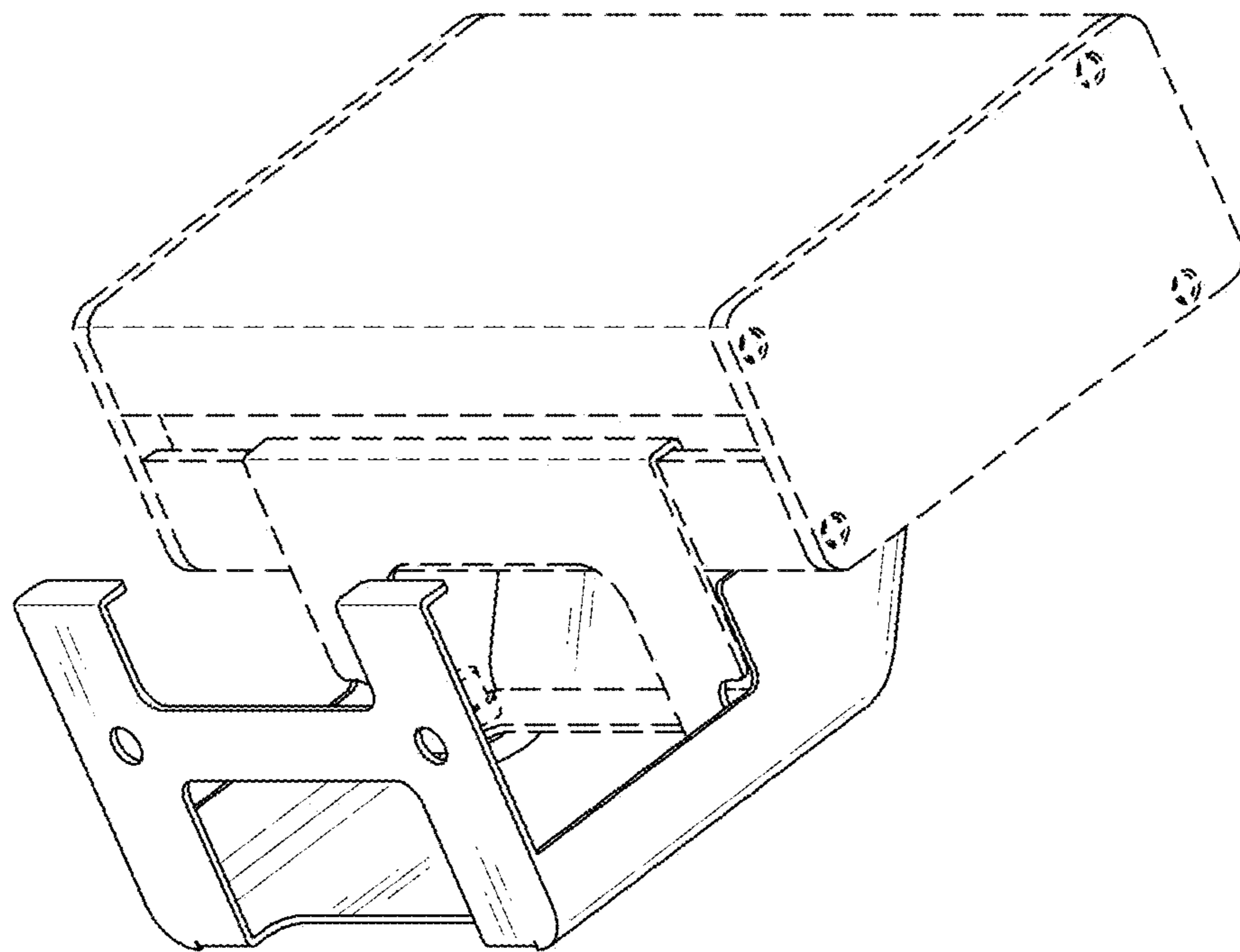


FIG. 3

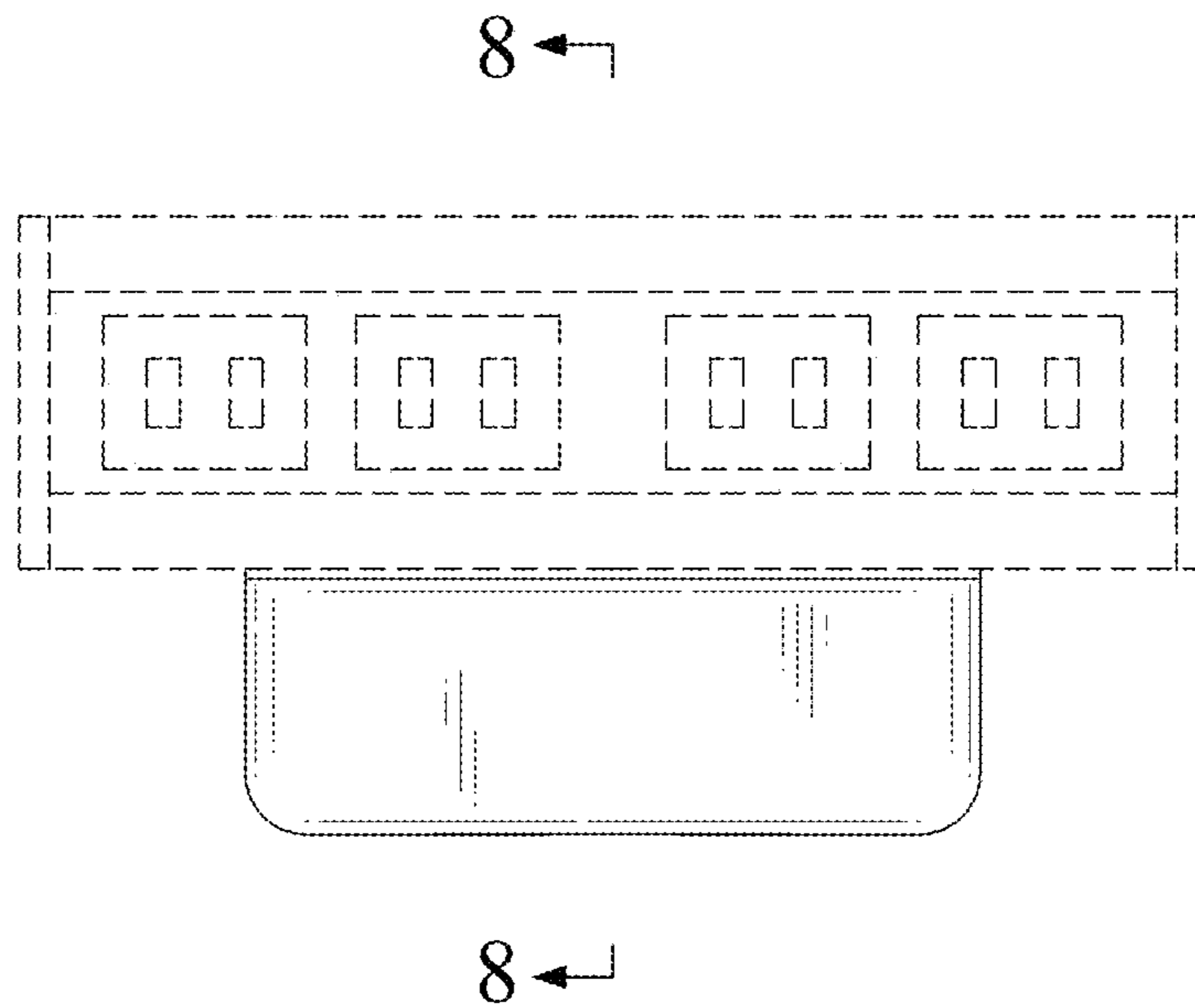


FIG. 4

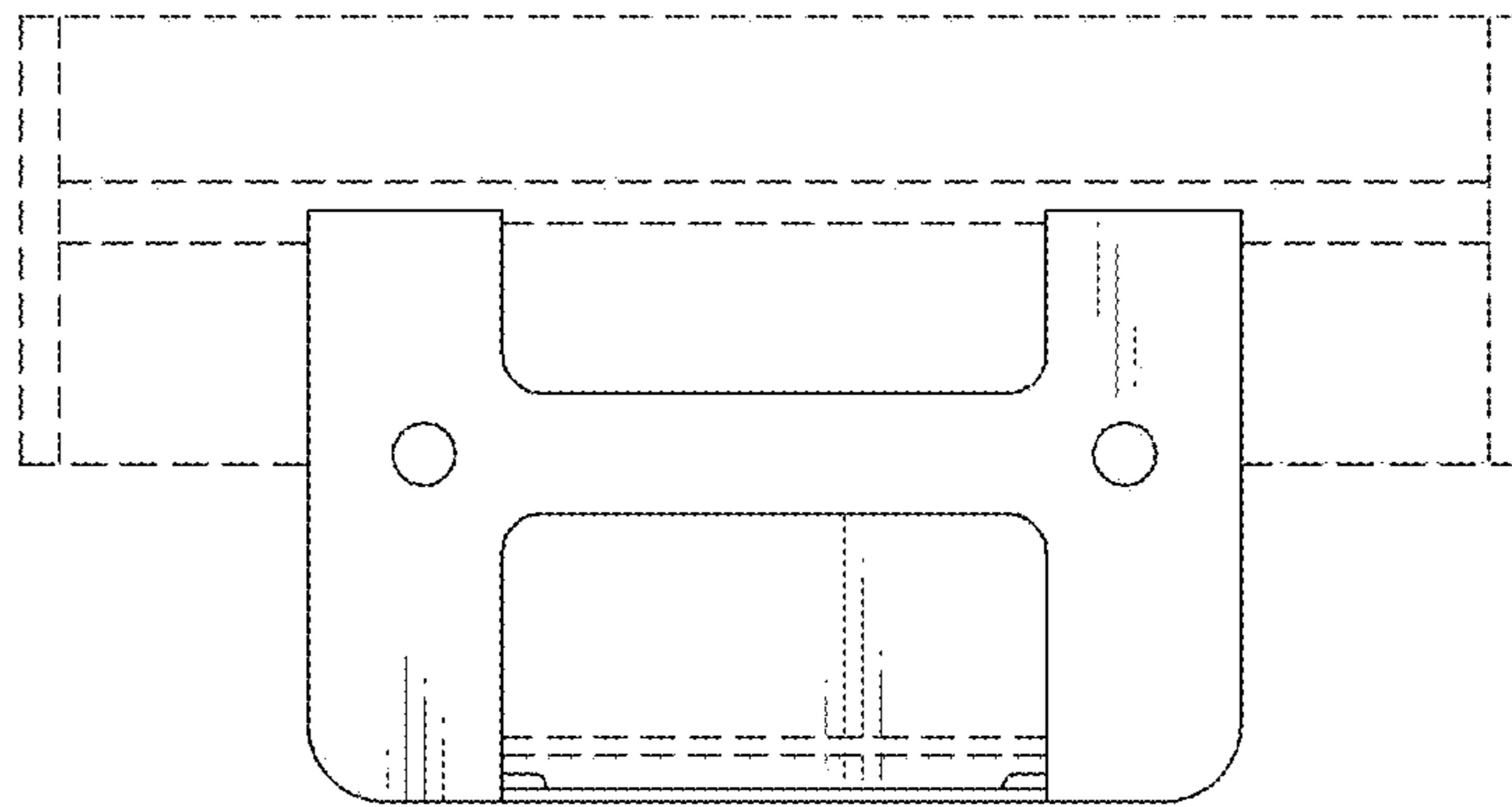


FIG. 5

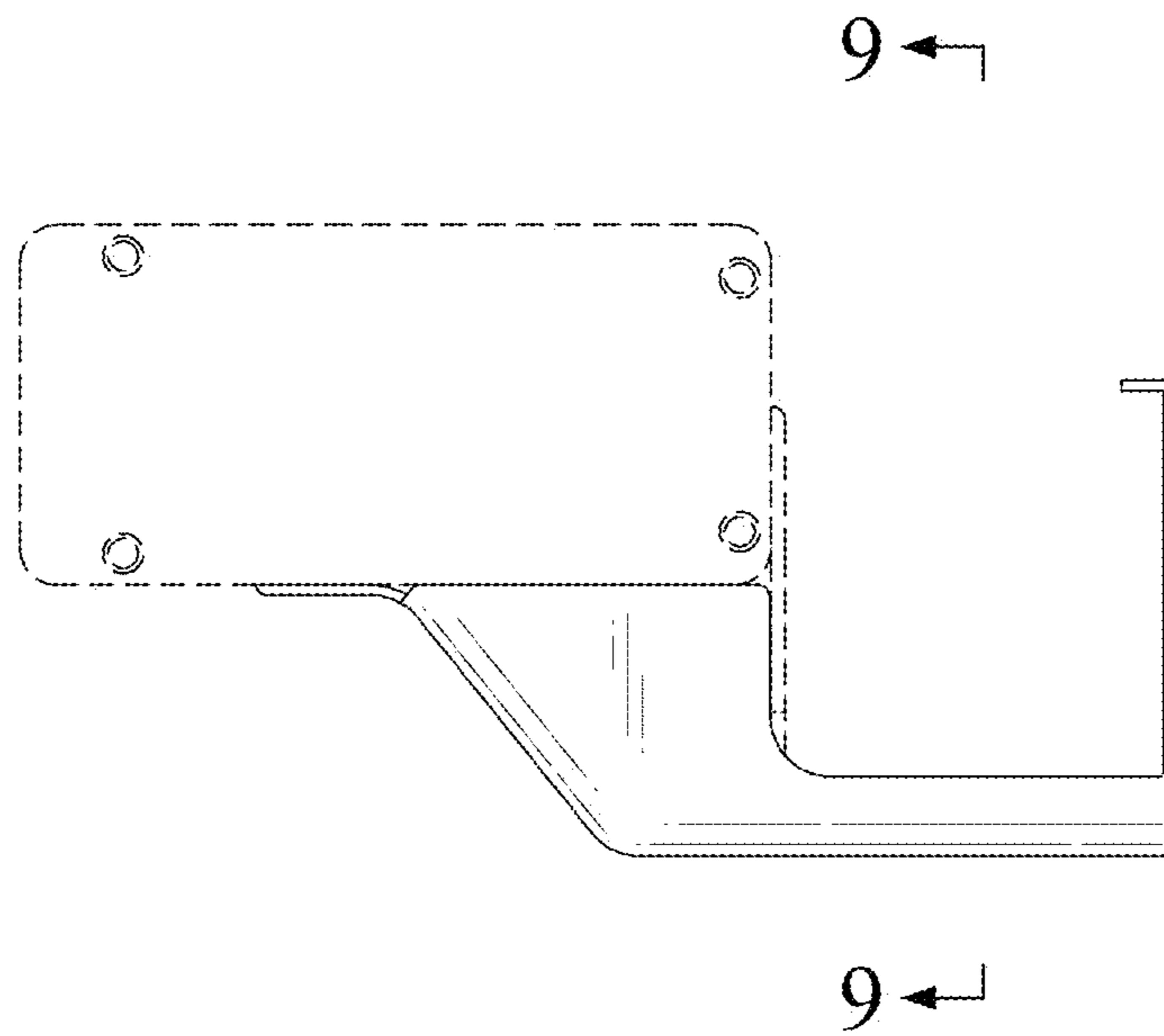


FIG. 6

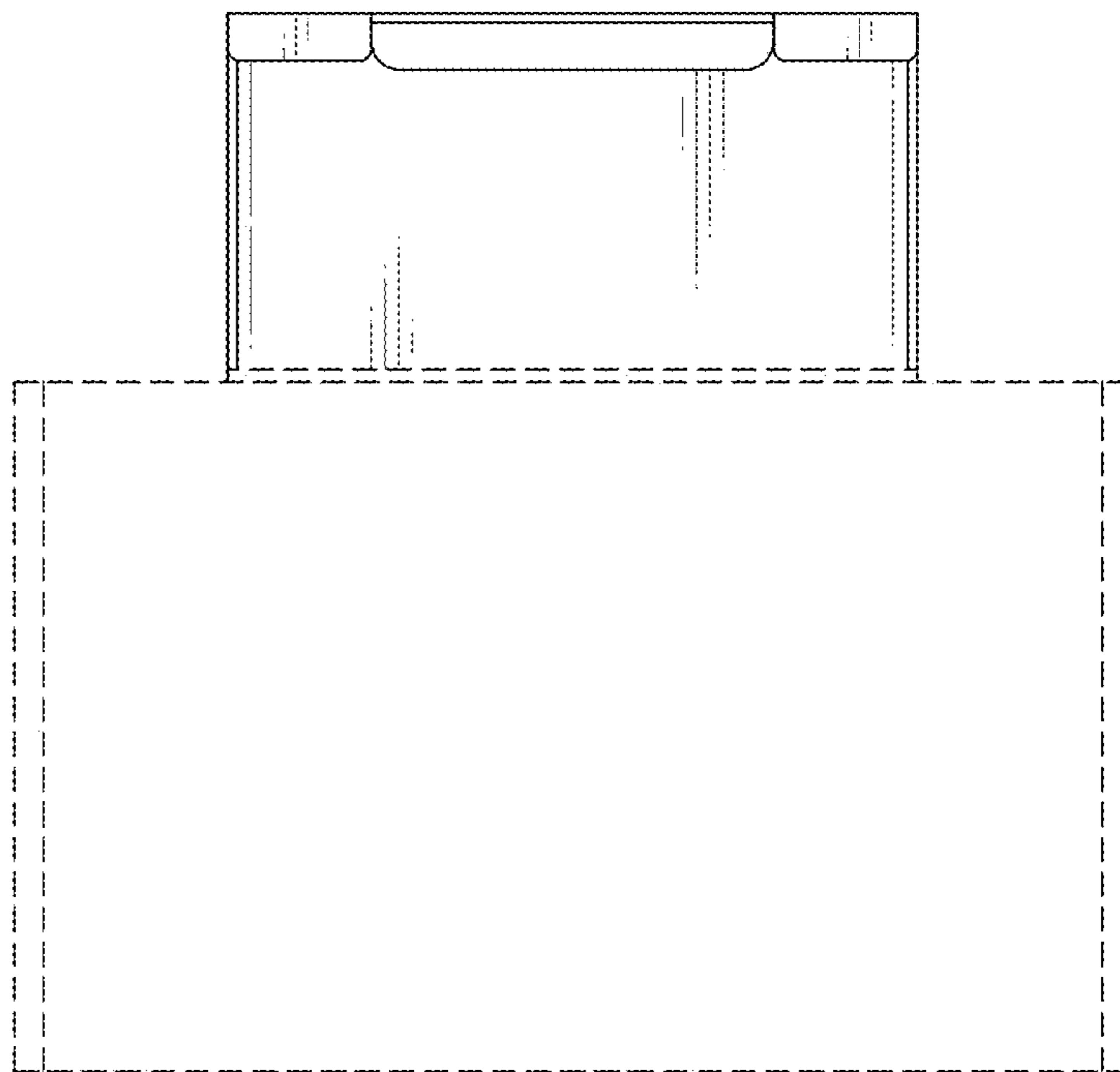


FIG. 7

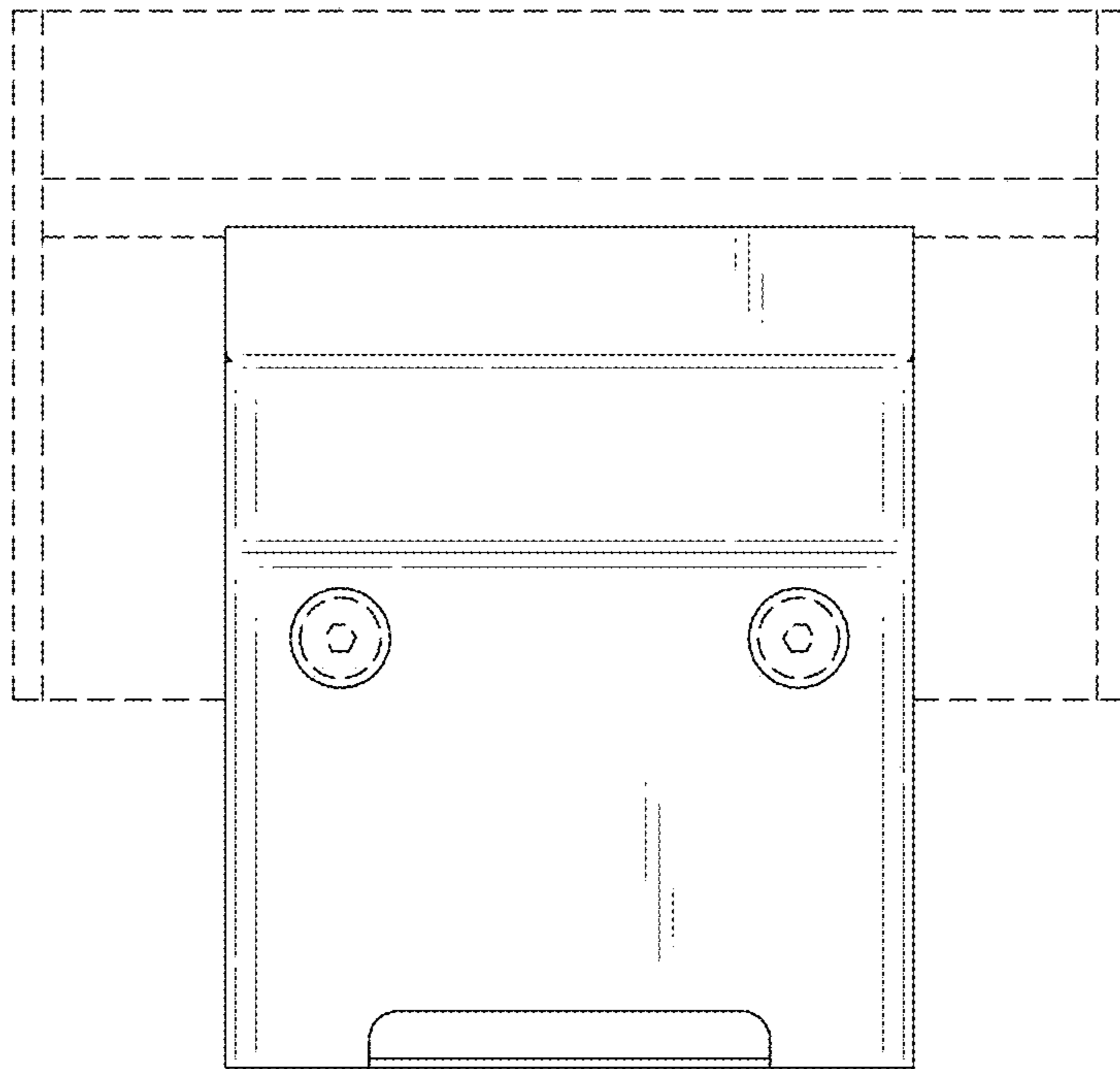


FIG. 8

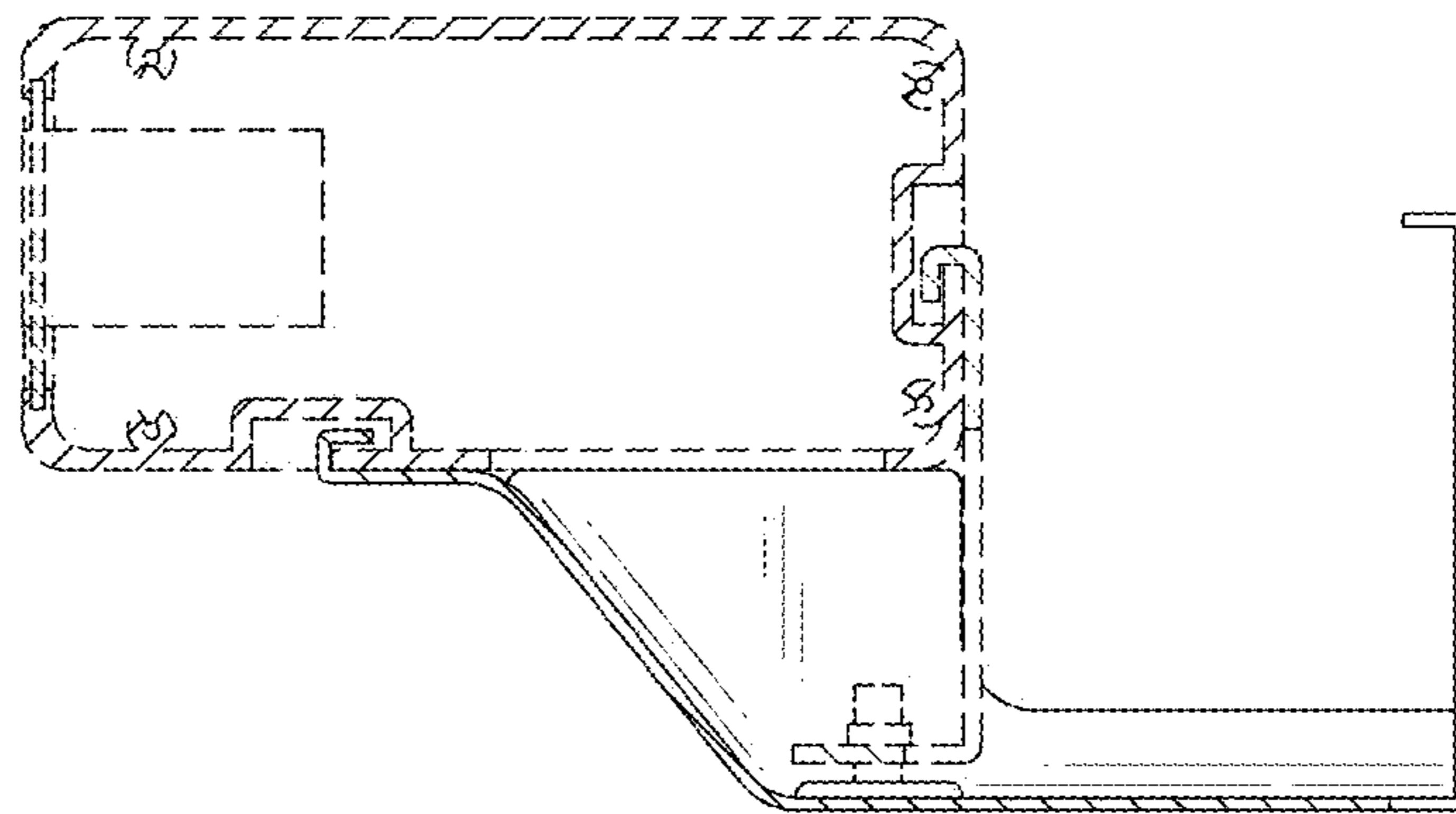


FIG. 9

