



US00D798814S

(12) **United States Design Patent**
Takagi et al.

(10) **Patent No.:** **US D798,814 S**
(45) **Date of Patent:** **** Oct. 3, 2017**

(54) **COIL COMPONENT**
(71) Applicant: **TDK CORPORATION**, Tokyo (JP)
(72) Inventors: **Nobuo Takagi**, Tokyo (JP); **Toshio Tomonari**, Tokyo (JP); **Setu Tsuchida**, Tsuruoka (JP); **Syun Ashizawa**, Tokyo (JP)

6,965,289 B2 * 11/2005 Toi H01F 27/365
336/200
7,791,444 B2 * 9/2010 Tomonari H01F 19/04
336/192
D669,031 S * 10/2012 Wagatsuma D13/117
D721,651 S * 1/2015 Iwakura D13/117
9,177,710 B2 * 11/2015 Lee H01F 27/26
9,196,415 B2 * 11/2015 Takagi H01F 27/29
9,305,695 B2 * 4/2016 Karasek H01F 17/045
D762,576 S * 8/2016 Komaya D13/117

(73) Assignee: **TDK Corporation**, Tokyo (JP)

(**) Term: **15 Years**

(21) Appl. No.: **29/528,830**

(22) Filed: **Jun. 1, 2015**

(30) **Foreign Application Priority Data**

Dec. 2, 2014 (JP) 2014-026937
Dec. 2, 2014 (JP) 2014-026938

(51) **LOC (10) Cl.** **13-02**

(52) **U.S. Cl.**
USPC **D13/117**

(58) **Field of Classification Search**
USPC D13/113, 117, 122, 118, 182, 183, 199;
242/160.1, 160.4, 360; 335/13, 134, 136,
335/213, 282; 336/15, 69, 70, 139, 174,
336/198
CPC H01F 27/34; H01F 27/362; H01F 38/14;
H01F 17/0006; H01F 5/003; H02J 3/12;
H02J 5/005

See application file for complete search history.

(56) **References Cited**

U.S. PATENT DOCUMENTS

D290,456 S * 6/1987 Burgher D13/110
6,373,366 B1 * 4/2002 Sato H01F 17/045
336/192

Primary Examiner — Derrick Holland

Assistant Examiner — Jennifer O King

(74) *Attorney, Agent, or Firm* — Arent Fox LLP

(57) **CLAIM**

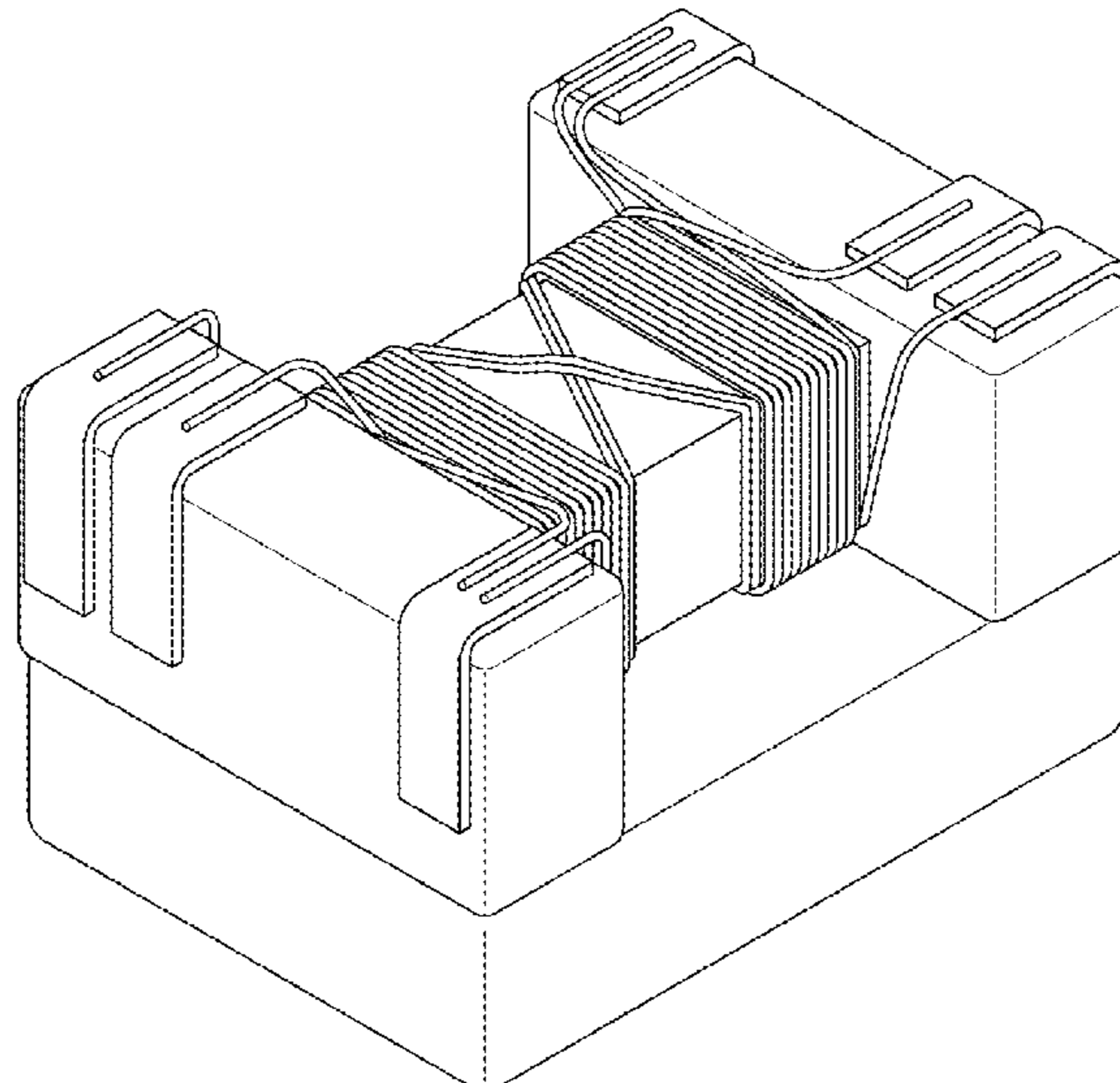
The ornamental design for a coil component, as shown and described.

DESCRIPTION

FIG. 1 is a front view of a first embodiment of a coil component showing our new design; FIG. 2 is a back view of the design shown in FIG. 1; FIG. 3 is a left side view of the design shown in FIG. 1; FIG. 4 is a top view of the design shown in FIG. 1; FIG. 5 is a bottom view of the design shown in FIG. 1; FIG. 6 is perspective view of the design shown in FIG. 1; FIG. 7 is a front view of a second embodiment of a coil component showing our new design; FIG. 8 is a back view of the design shown in FIG. 7; FIG. 9 is a left side view of the design shown in FIG. 7; FIG. 10 is a top view of the design shown in FIG. 7; FIG. 11 is a bottom view of the design shown in FIG. 7; and, FIG. 12 is a perspective view of the design shown in FIG. 7.

A right side view of the design according to the first embodiment is symmetrical to FIG. 3, and is not illustrated. A right side view of the design according to the second embodiment is symmetrical to FIG. 9, and is not illustrated.

1 Claim, 8 Drawing Sheets



(56)

References Cited

U.S. PATENT DOCUMENTS

2002/0101319 A1* 8/2002 Komiya H01F 17/045
336/174
2005/0237141 A1* 10/2005 Hirai H01F 17/045
336/83
2010/0109827 A1* 5/2010 Asou H01F 17/045
336/192
2012/0074899 A1* 3/2012 Tsai H02J 7/025
320/108
2013/0049914 A1* 2/2013 Huang H01F 27/292
336/192
2014/0292463 A1 10/2014 Lai et al.

* cited by examiner

FIG. 1

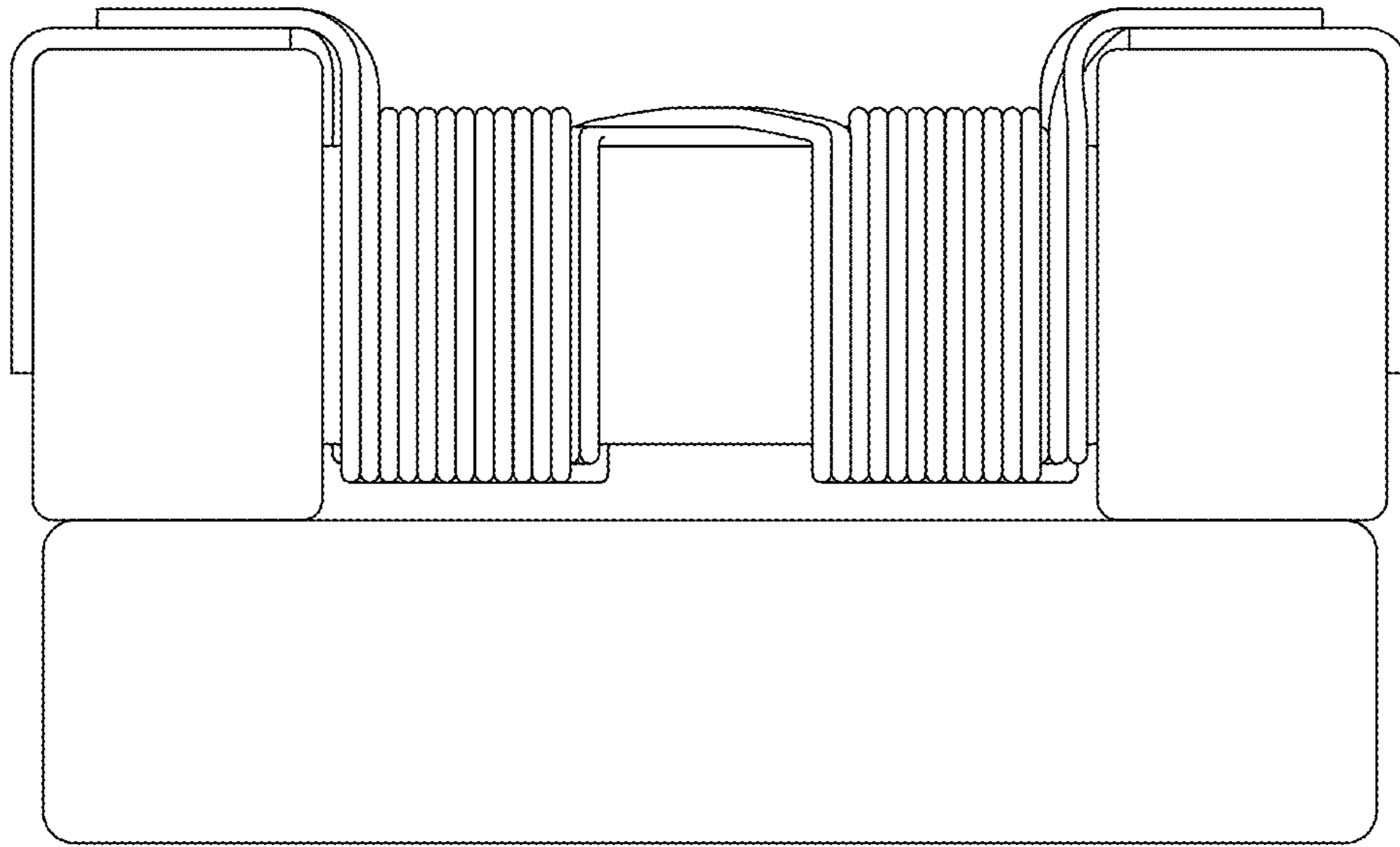


FIG. 2

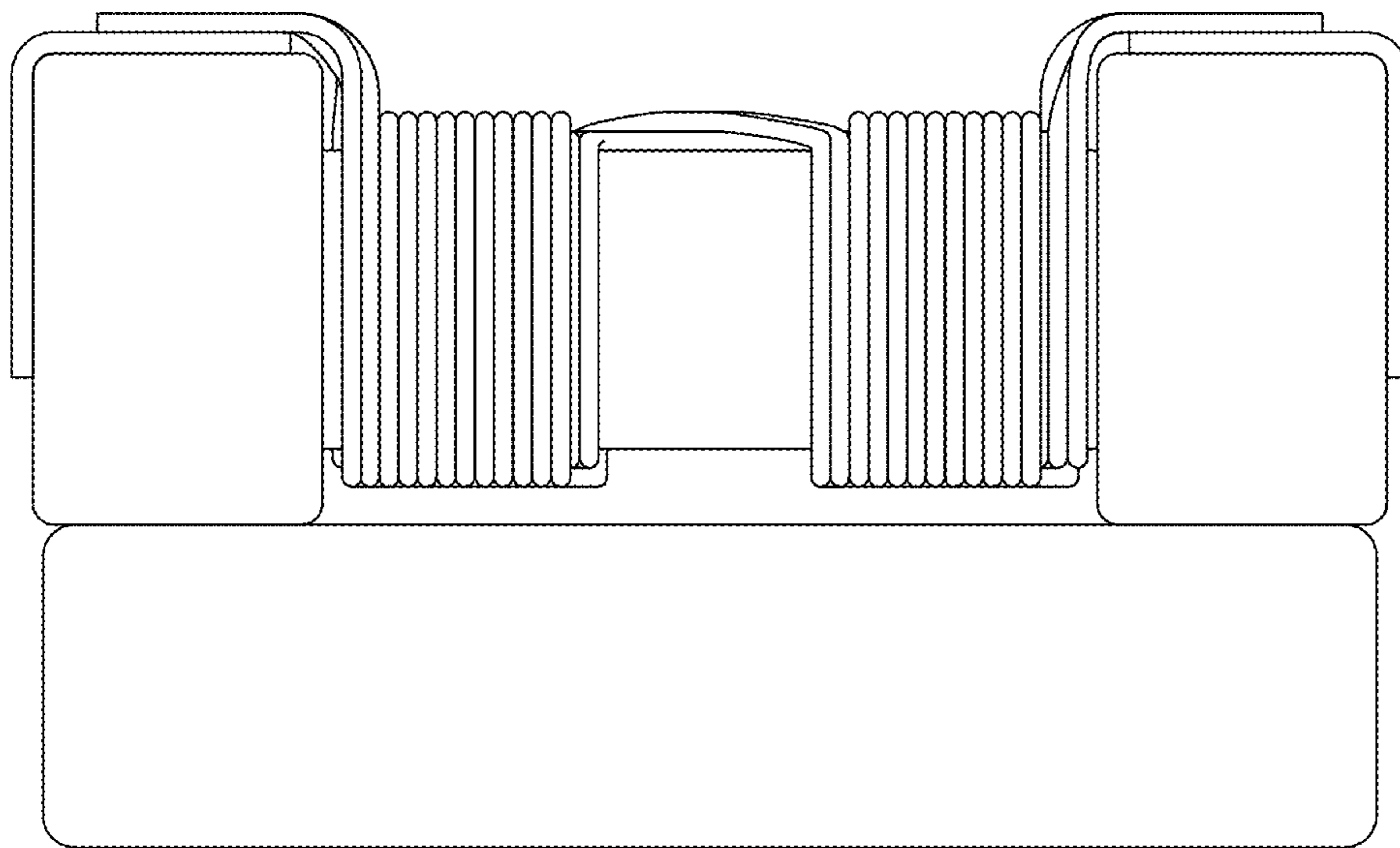


FIG. 3

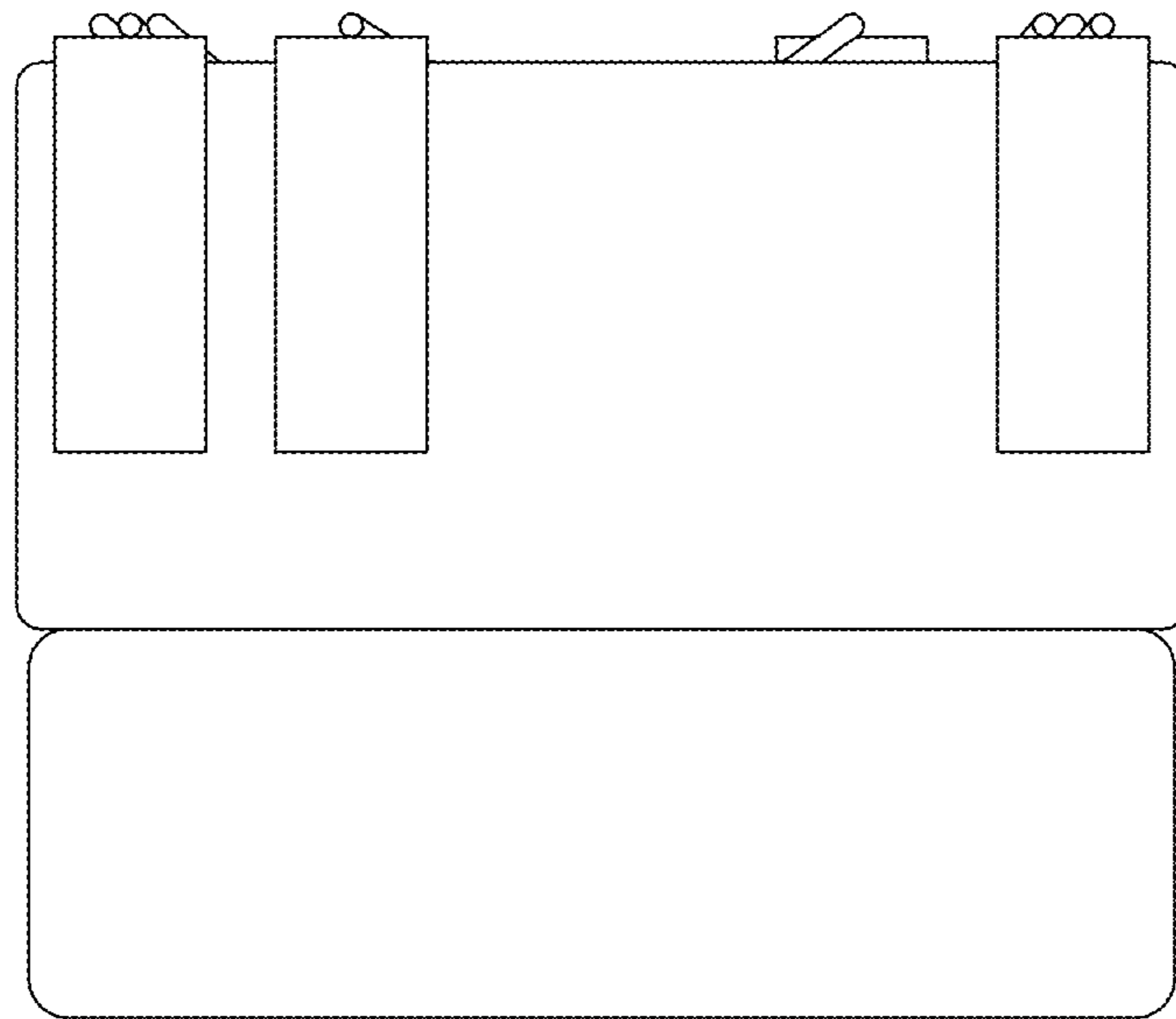


FIG. 4

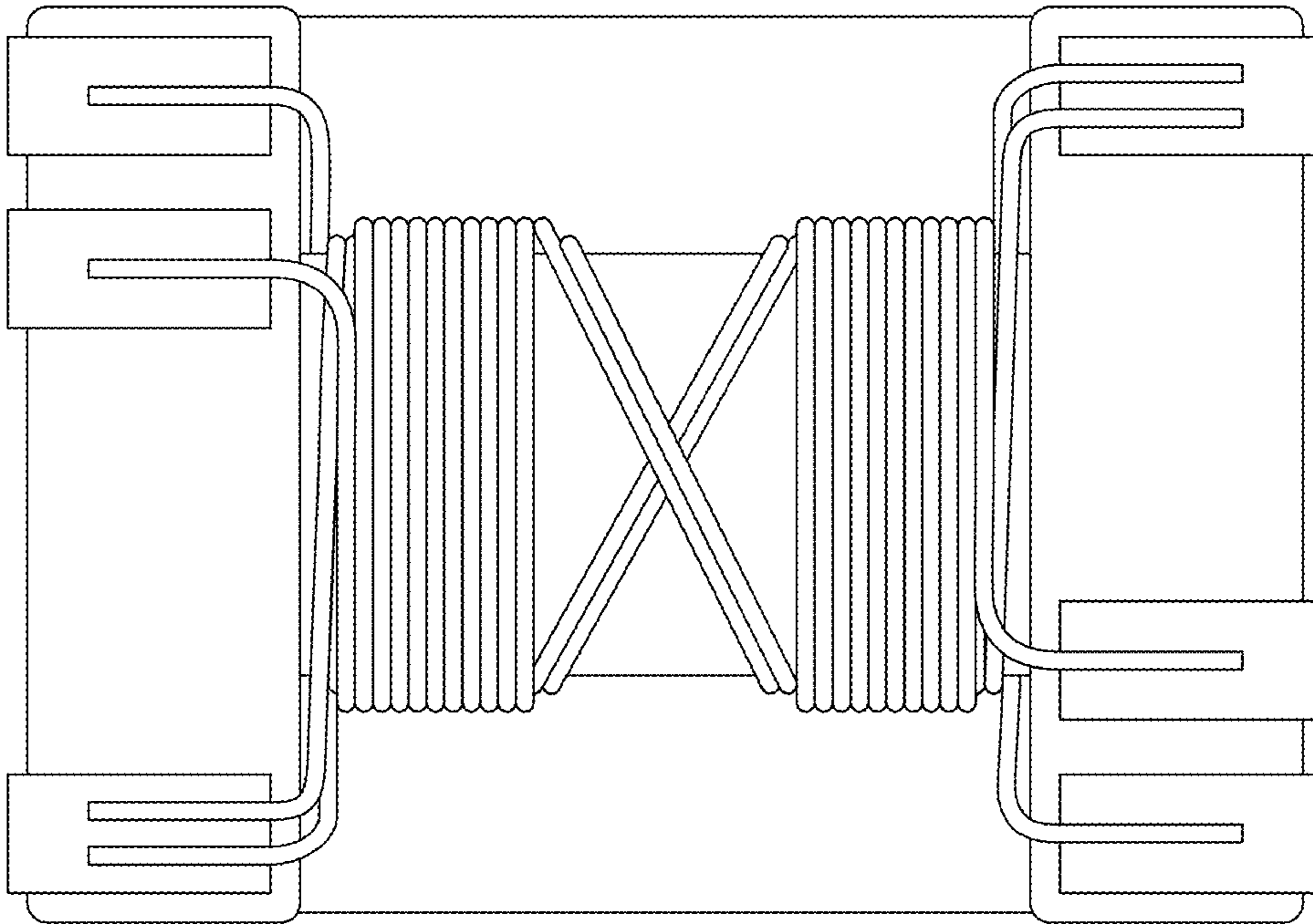


FIG. 5

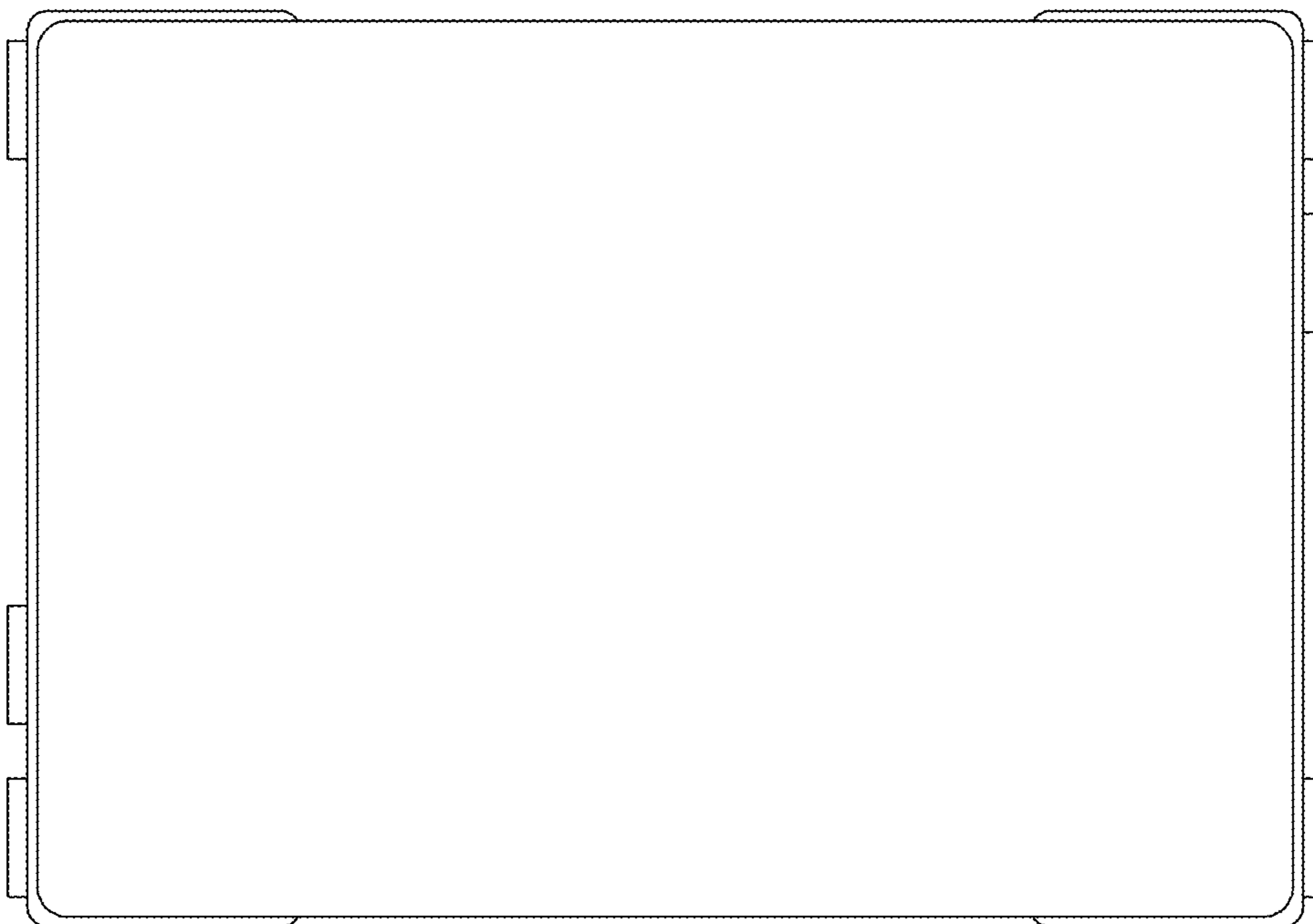


FIG. 6

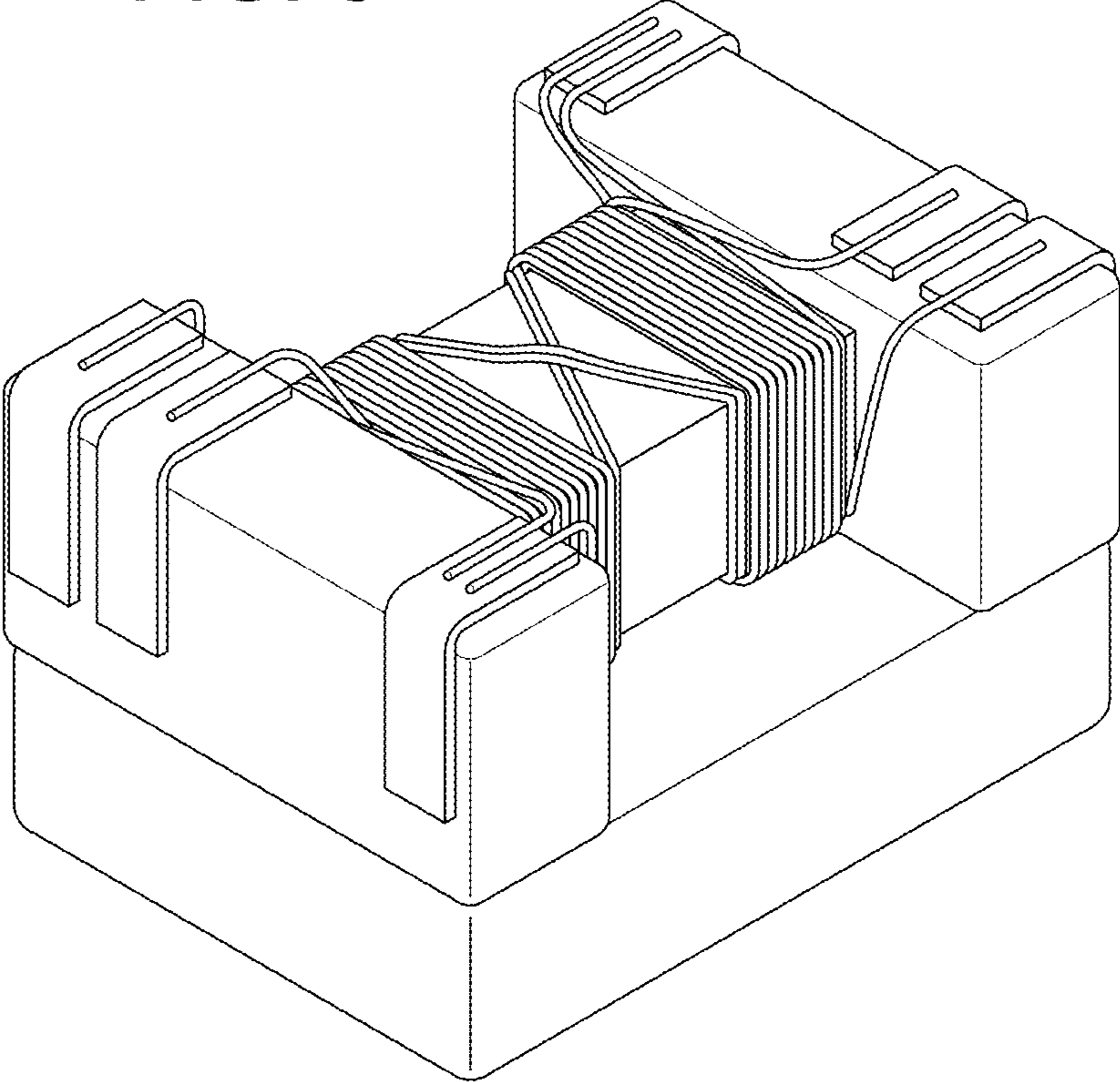


FIG. 7

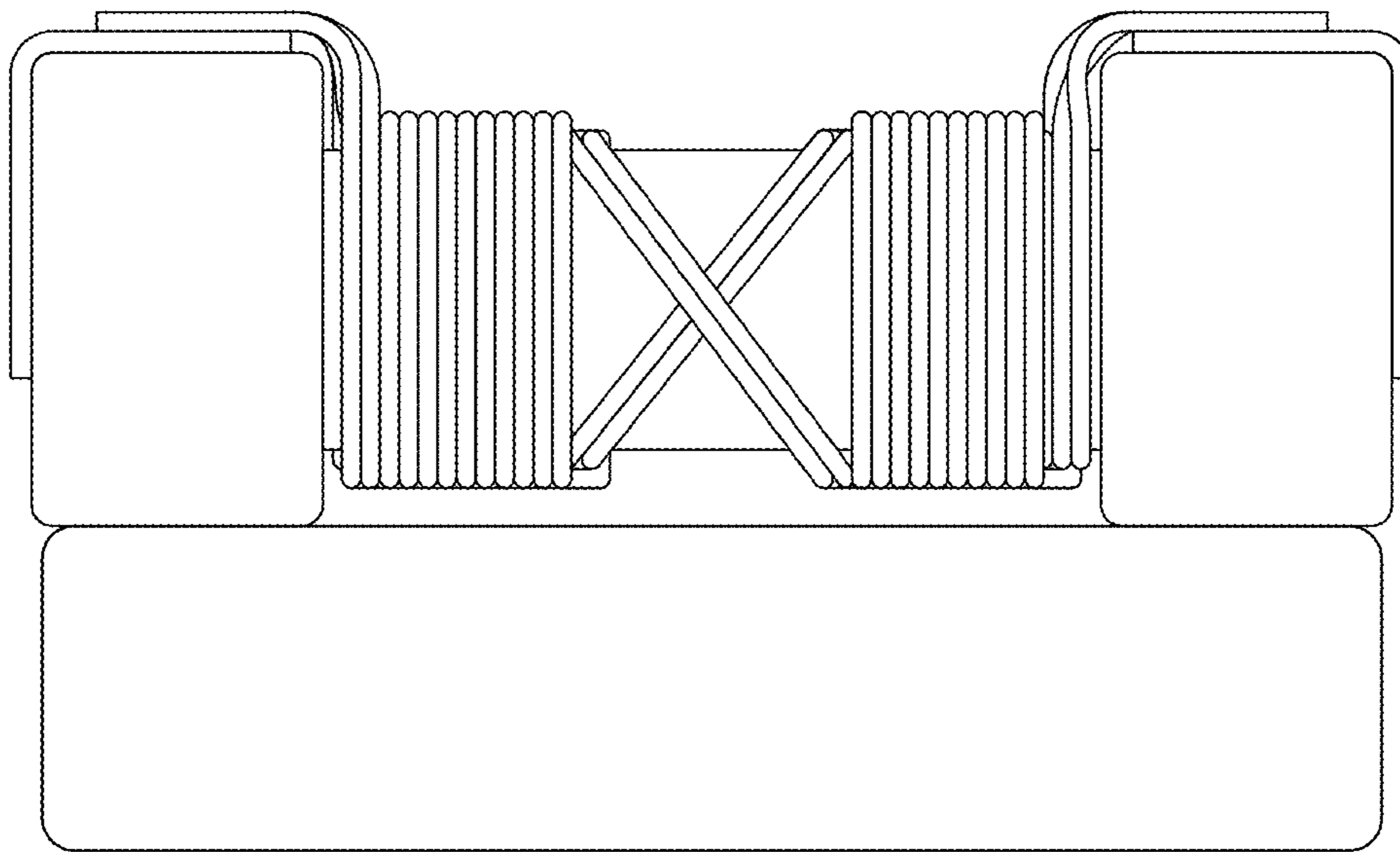


FIG. 8

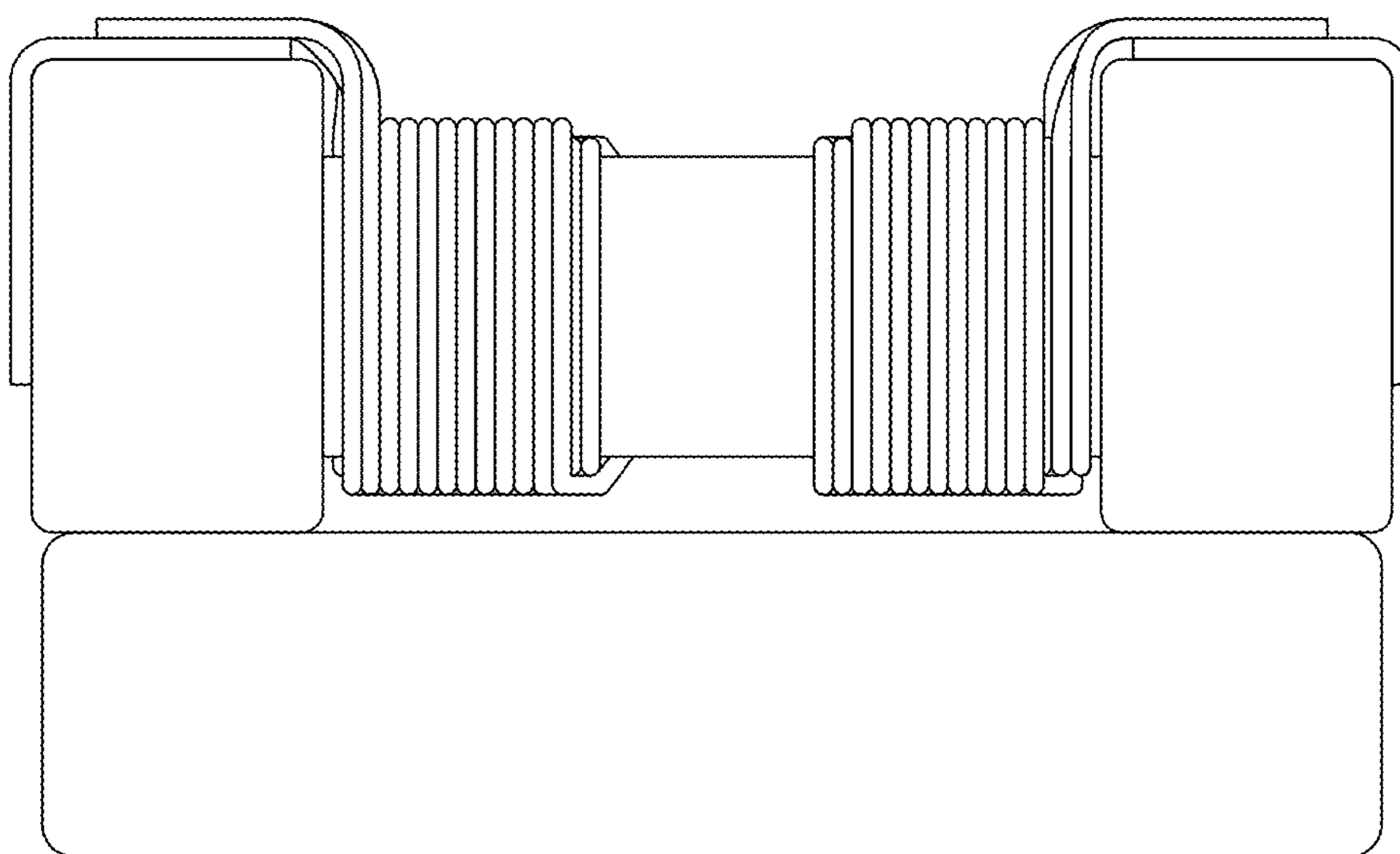


FIG. 9

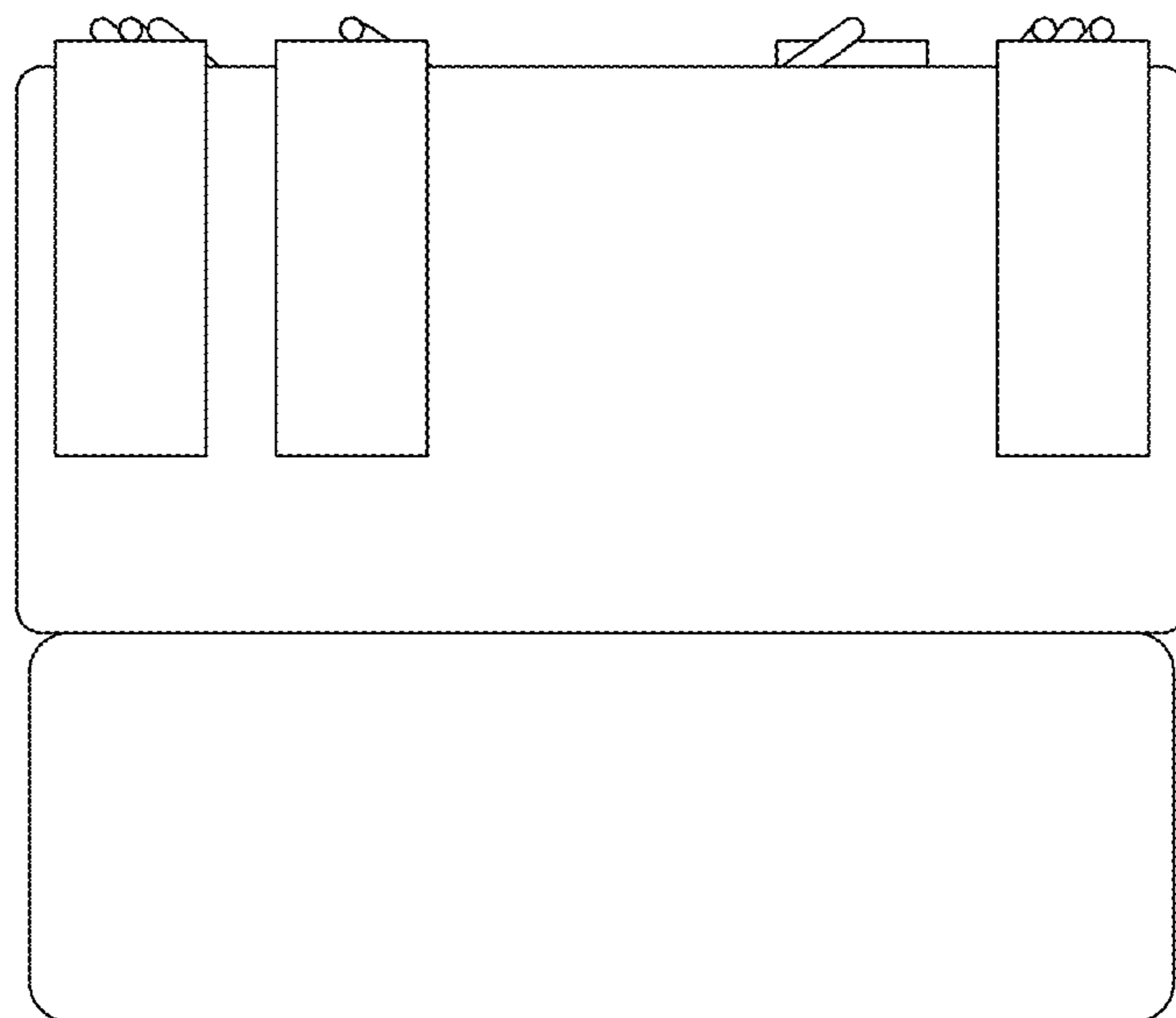


FIG. 10

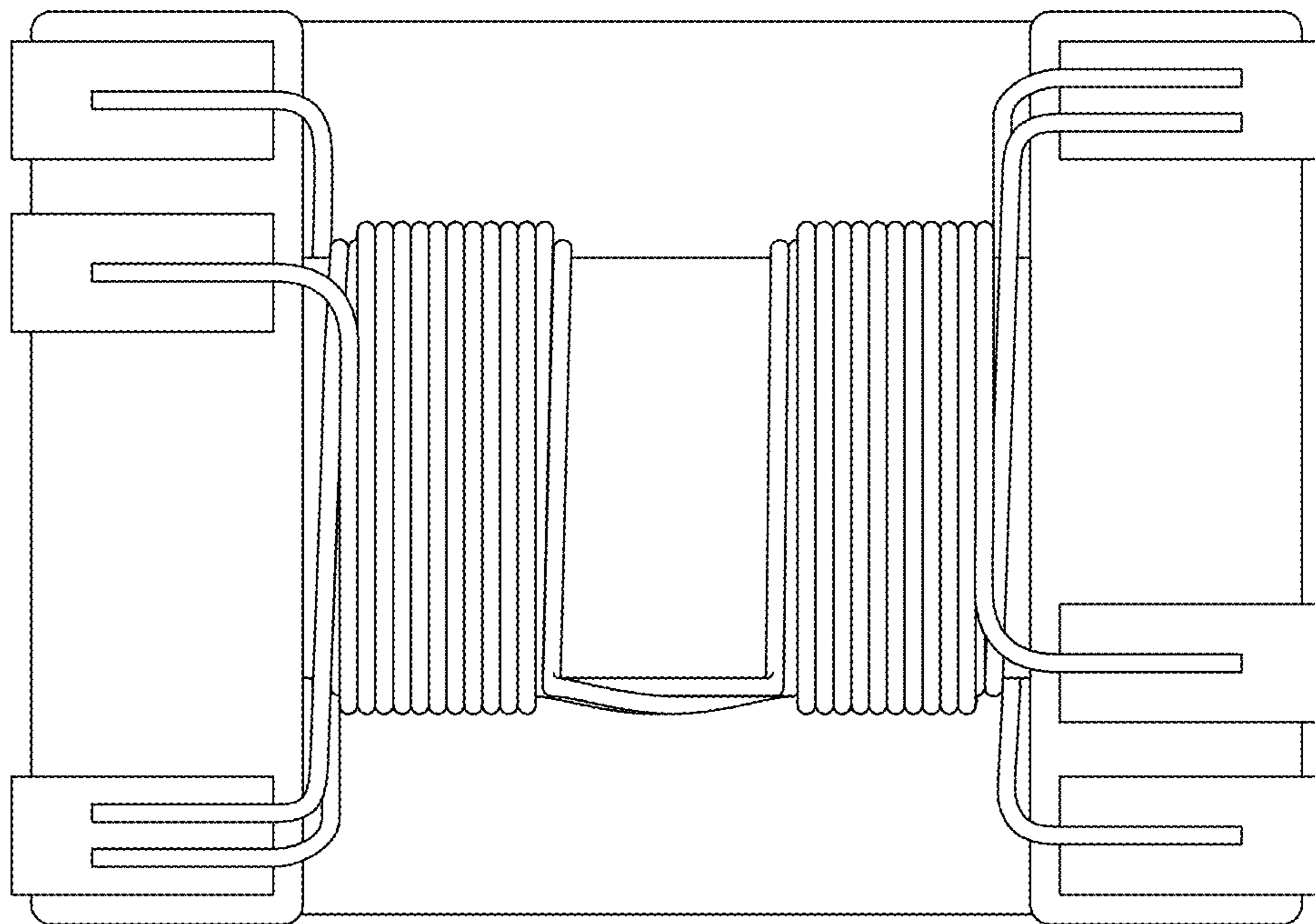


FIG. 11

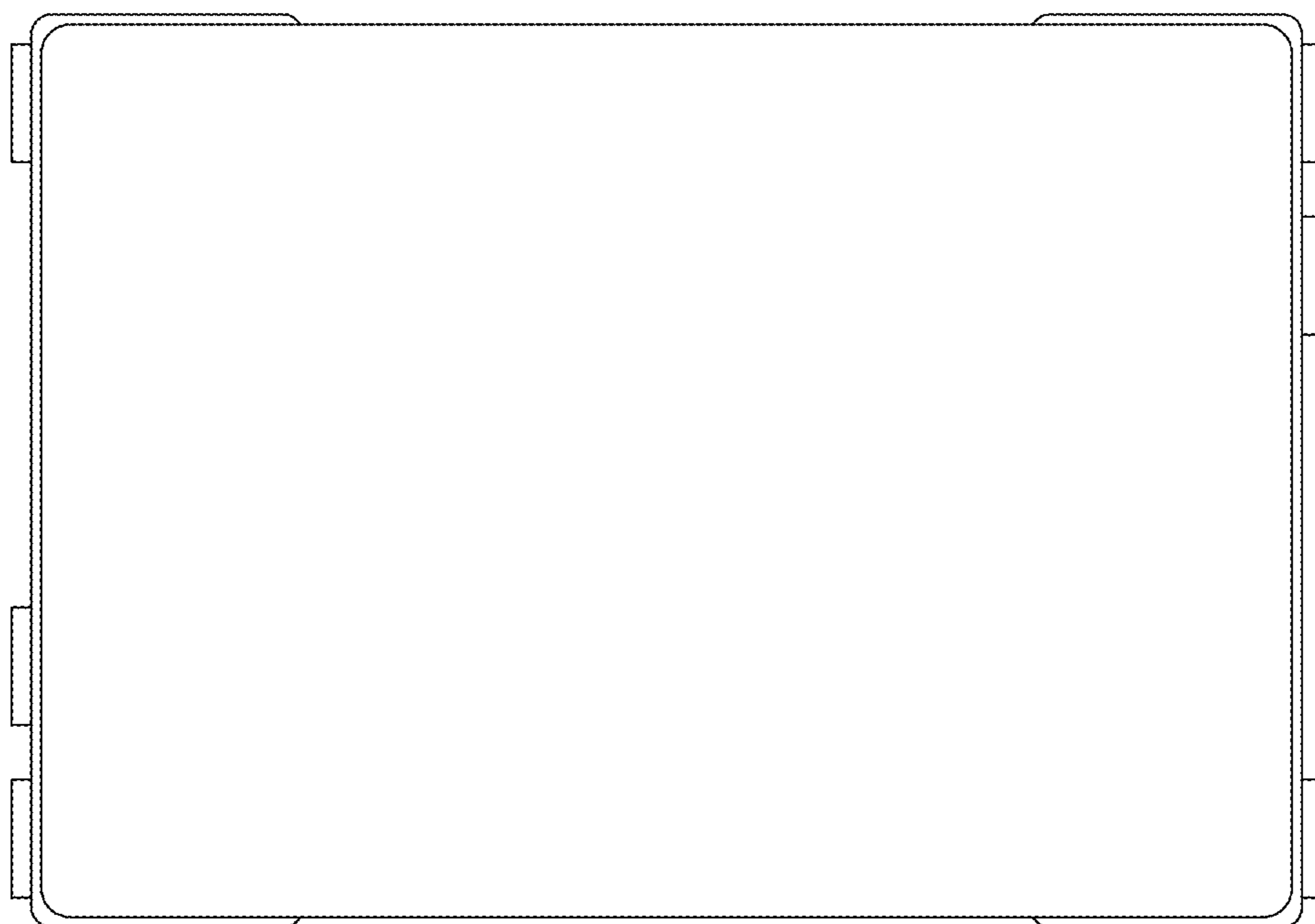


FIG. 12

