



US00D798813S

(12) **United States Design Patent**
Marinelli et al.

(10) **Patent No.:** **US D798,813 S**

(45) **Date of Patent:** **** Oct. 3, 2017**

(54) **ENCLOSURE FOR ELECTRONIC DEVICE**

(71) Applicant: **General Electric Company,**
Schenectady, NY (US)

(72) Inventors: **Matt Anthony Marinelli,** Lawrence
Park, PA (US); **Andrew Louis**
Krivosnak, Erie, PA (US); **Mark Allen**
Murphy, Erie, PA (US)

(73) Assignee: **General Electric Company,**
Schenectady, NY (US)

(**) Term: **15 Years**

(21) Appl. No.: **29/582,988**

(22) Filed: **Nov. 1, 2016**

Related U.S. Application Data

(62) Division of application No. 29/526,255, filed on May
7, 2015, now Pat. No. Des. 773,394.

(51) **LOC (10) Cl.** **13-03**

(52) **U.S. Cl.**
USPC **D13/110; D13/184**

(58) **Field of Classification Search**
USPC D13/110, 123, 124, 158, 162, 184
CPC H03K 3/57; H03K 17/305; H05K 5/00;
H05K 9/0037; H03F 3/72; H03F 3/181;
H03F 3/189; H01L 2223/6644
See application file for complete search history.

(56) **References Cited**

U.S. PATENT DOCUMENTS

- 5,325,072 A * 6/1994 Kohjiro H01L 23/66
257/728
- 5,373,104 A * 12/1994 Brauer H05K 7/1417
174/562
- 5,550,713 A * 8/1996 Pressler H05K 9/0037
174/371

- 5,566,055 A * 10/1996 Salvi, Jr. H05K 9/0037
174/358
- 6,222,741 B1 * 4/2001 Drennen H05K 1/021
361/706
- D464,618 S * 10/2002 Ando D13/110
- D466,076 S * 11/2002 Nagashima D13/110
- D469,059 S * 1/2003 Ando D13/110
- D503,149 S * 3/2005 Teramae D13/110
- 7,050,305 B2 * 5/2006 Thorum H05K 5/0052
165/185
- D556,686 S * 12/2007 Matsuo D13/110
- 7,764,513 B2 * 7/2010 Miyamoto H05K 9/006
174/350
- D742,340 S * 11/2015 Krivosnak D13/184
- 9,462,731 B2 * 10/2016 Onishi H05K 9/0026
- 9,485,884 B2 * 11/2016 Bose H05K 7/2049
- D773,394 S * 12/2016 Marinelli D13/110

(Continued)

Primary Examiner — Selina Sikder

(74) *Attorney, Agent, or Firm* — Global Patent Operation;
John A. Kramer

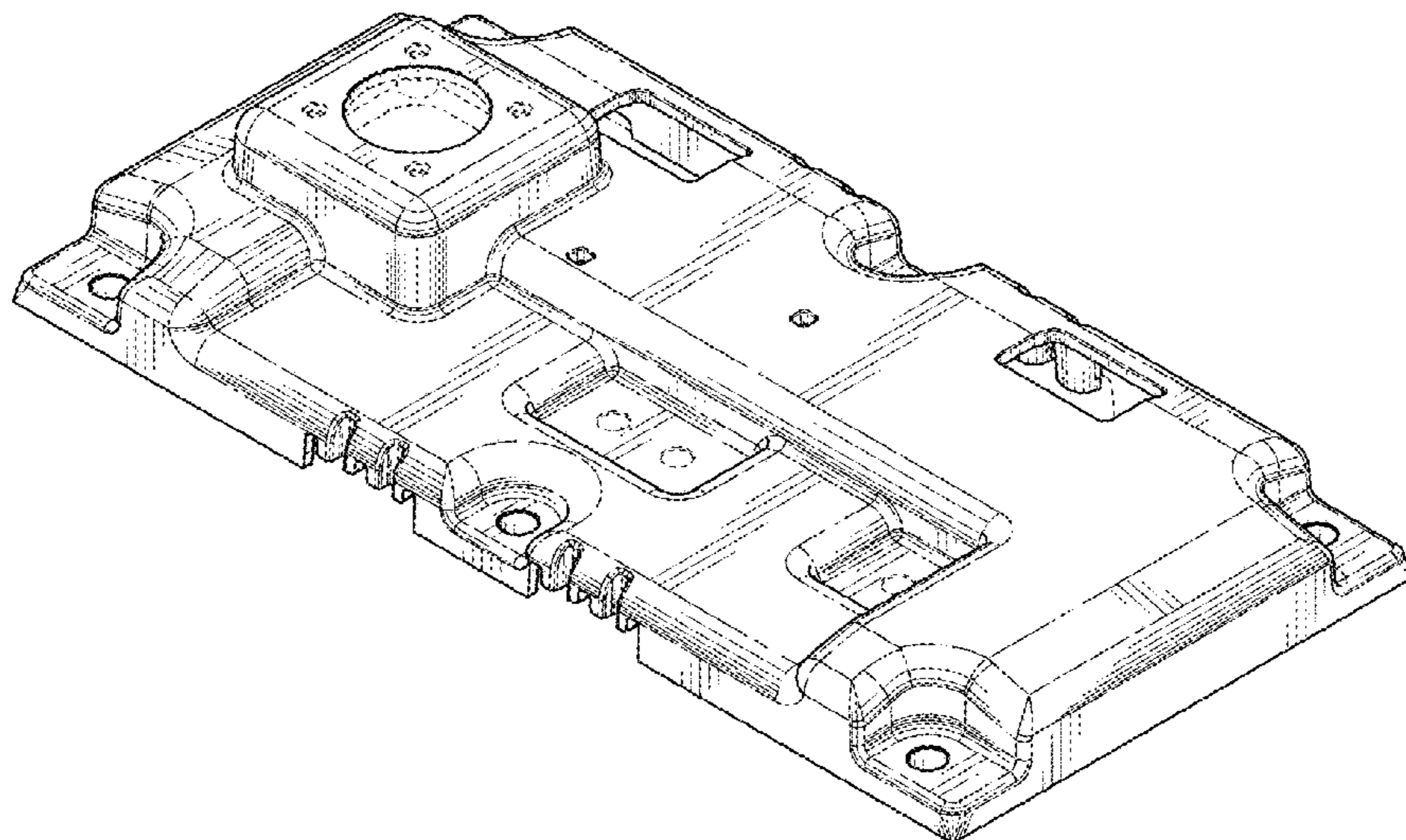
(57) **CLAIM**

The ornamental design for an enclosure for electronic
device, as shown and described.

DESCRIPTION

FIG. 1 is a perspective top view of an enclosure for
electronic device depicting our new design;
FIG. 2 is a top plan view thereof;
FIG. 3 is a bottom plan view thereof;
FIG. 4 is an end view thereof;
FIG. 5 is an opposite end view thereof
FIG. 6 is a side view thereof;
FIG. 7 is an opposite side view thereof; and,
FIG. 8 is a perspective bottom view thereof.
The broken line portion of the drawings is included to show
unclaimed subject matter only and forms no part of the
claimed design.

1 Claim, 6 Drawing Sheets



(56)

References Cited

U.S. PATENT DOCUMENTS

2002/0118521 A1* 8/2002 Kooker H05K 9/0037
361/753
2002/0167828 A1* 11/2002 Parkhill H01L 25/072
363/144
2005/0269590 A1* 12/2005 Kohjiro H01L 23/04
257/99
2011/0186983 A1* 8/2011 Hasegawa H01L 23/047
257/698
2013/0322040 A1* 12/2013 Watanabe H05K 9/0043
361/760

* cited by examiner

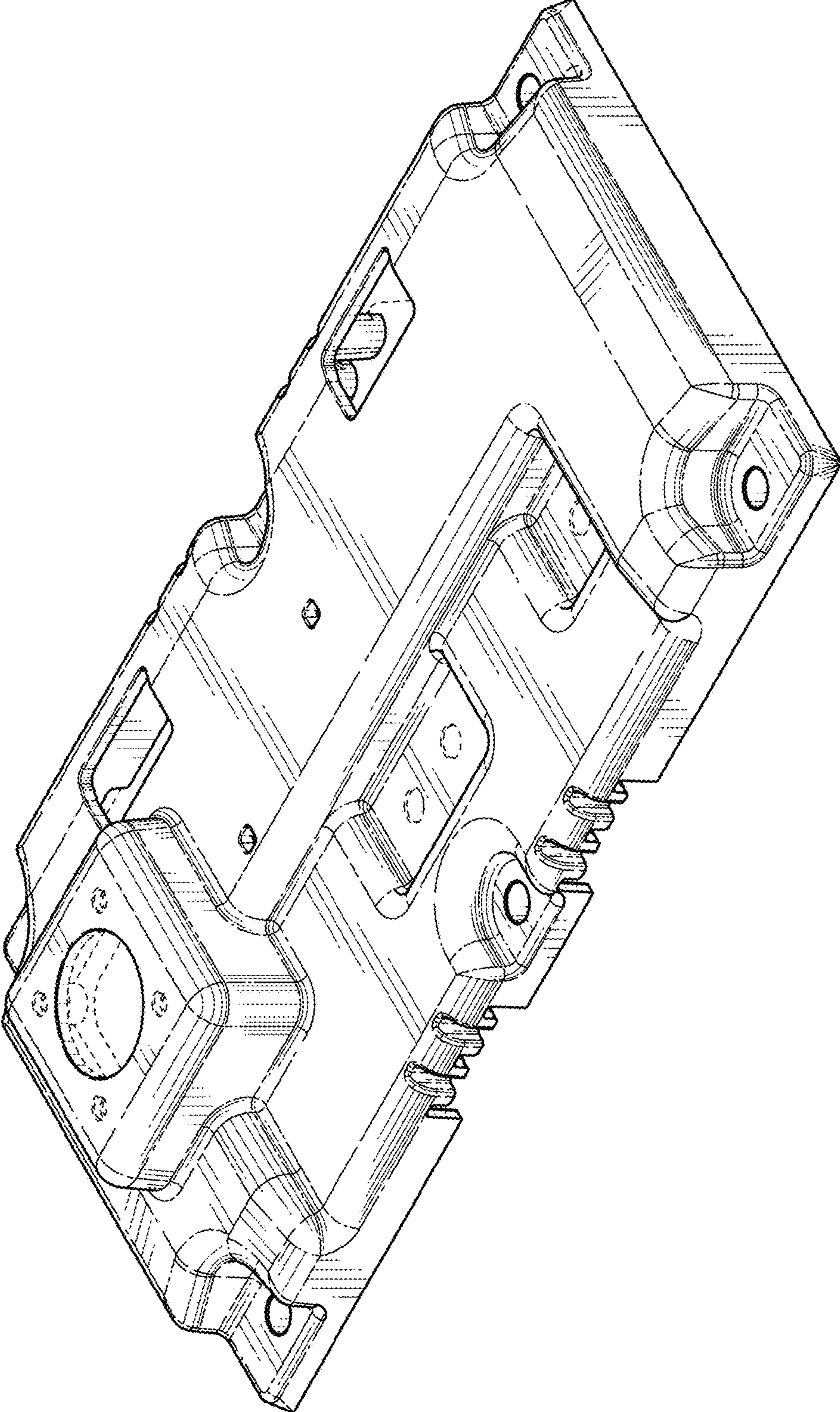


FIG. 1

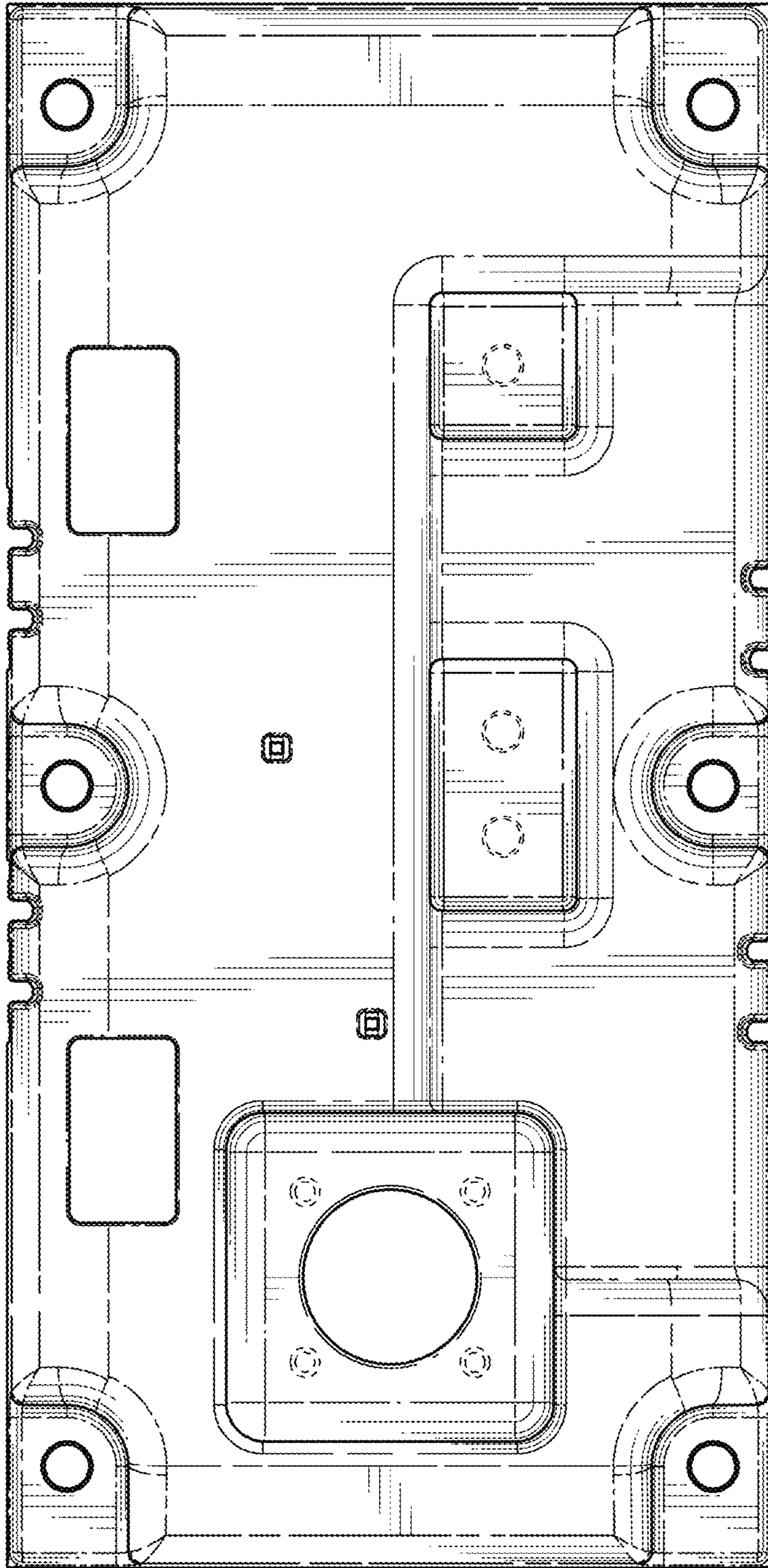


FIG. 2

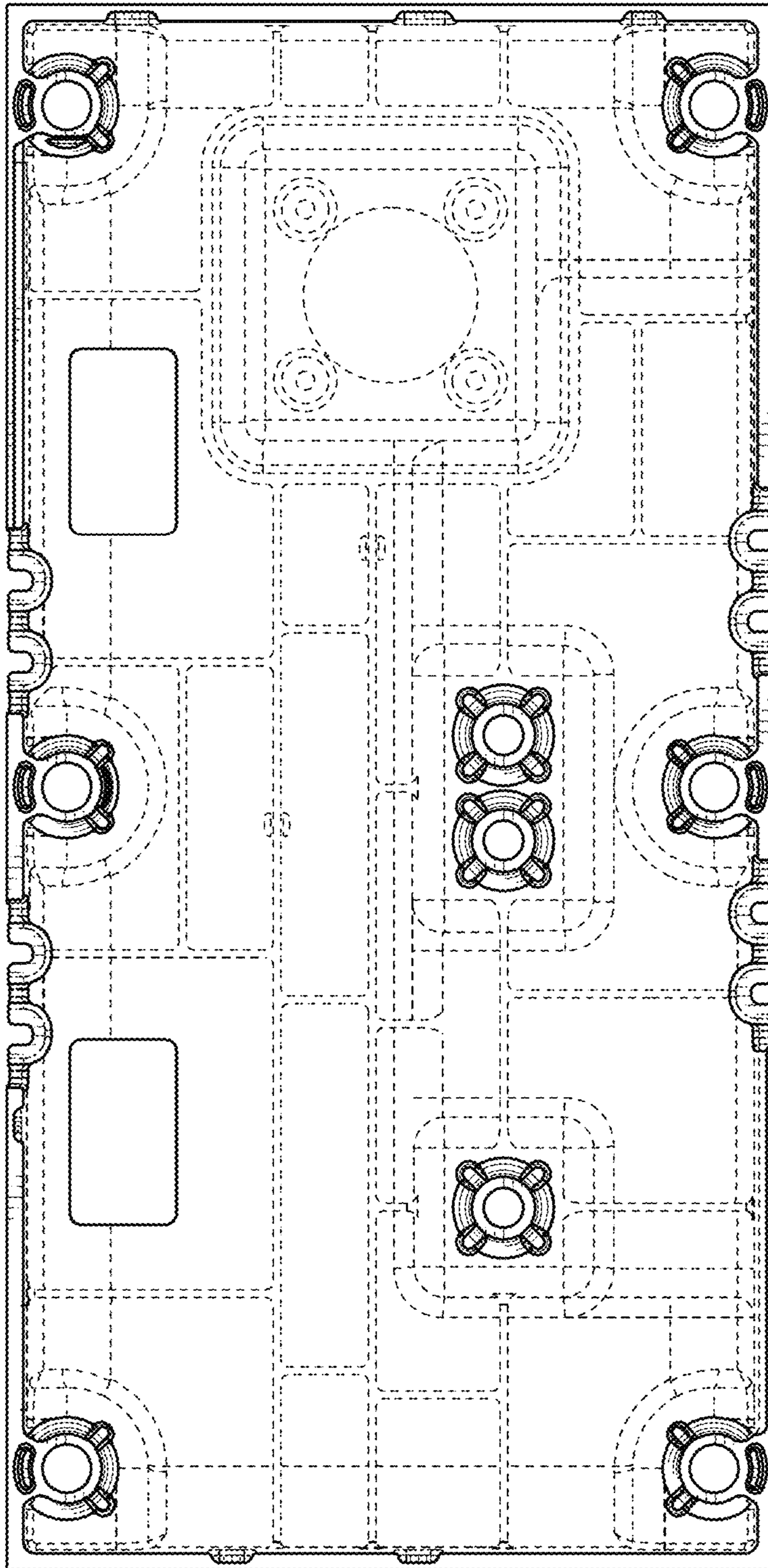


FIG. 3

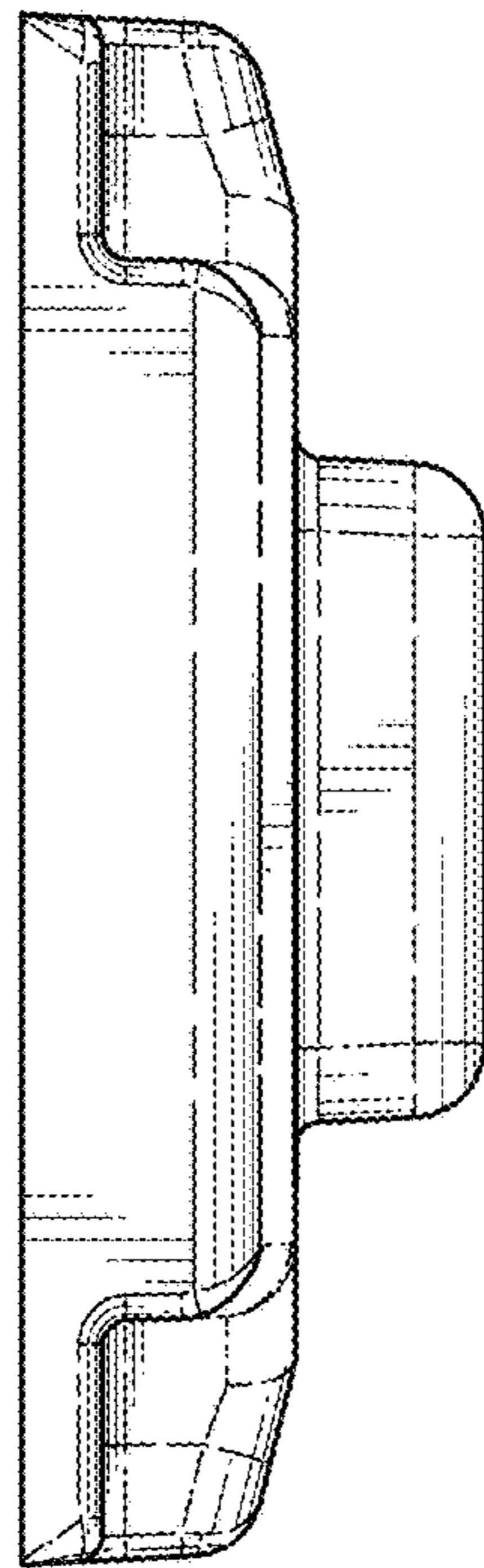


FIG. 4

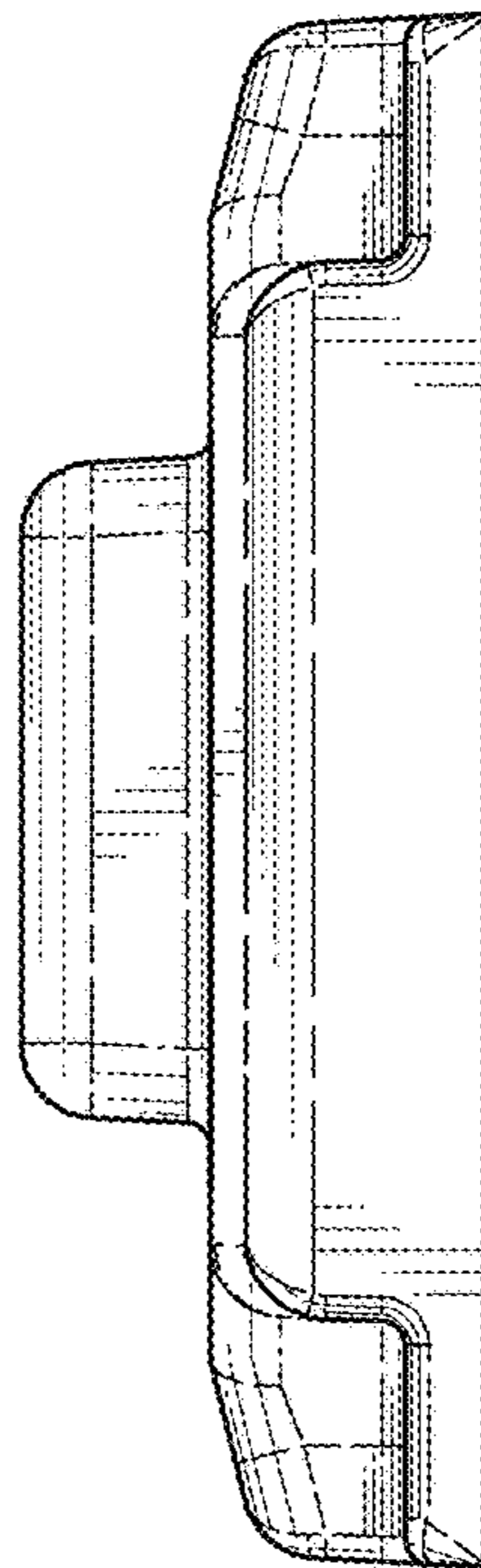


FIG. 5

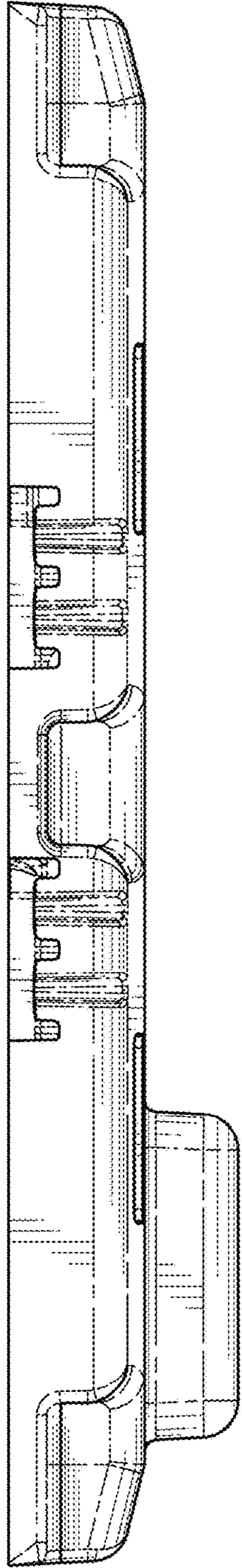


FIG. 6

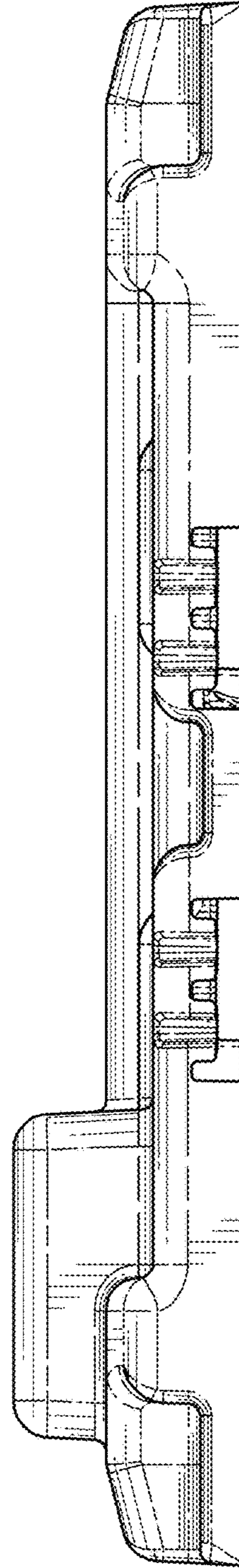


FIG. 7

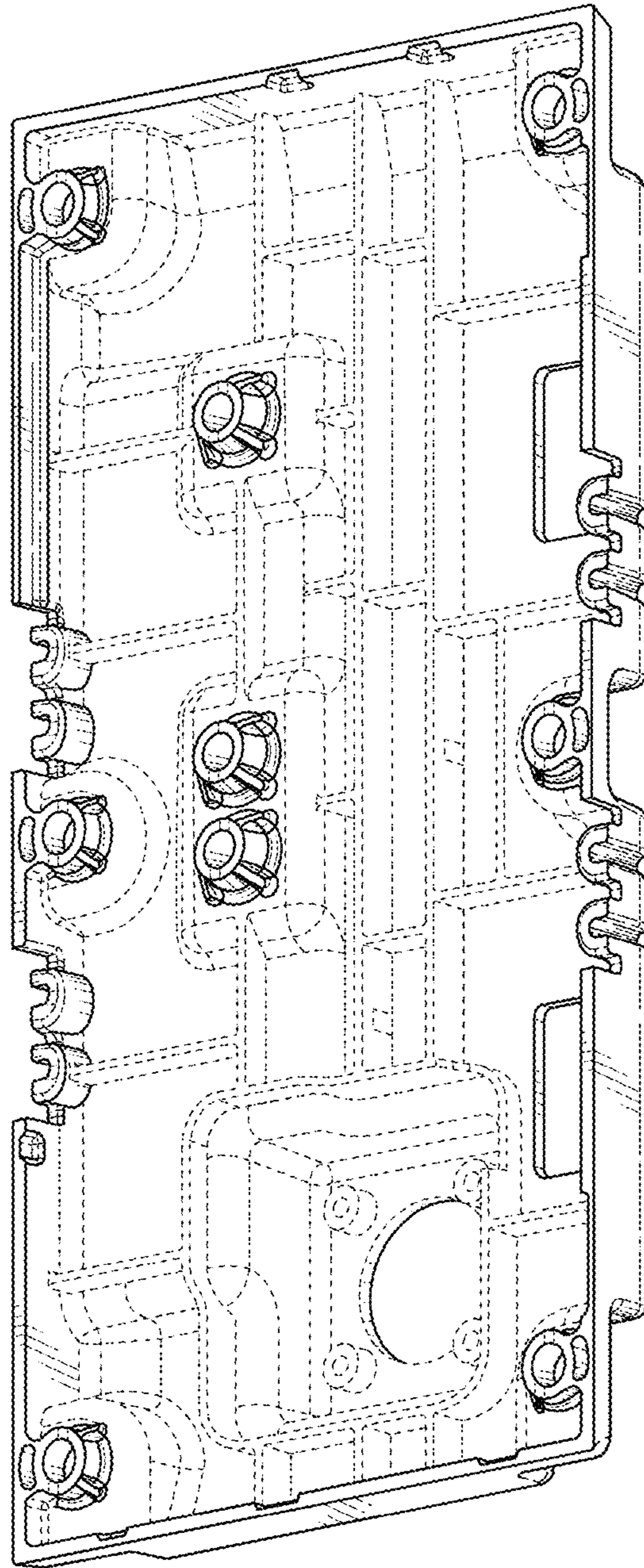


FIG. 8