



US00D798812S

(12) **United States Design Patent**
Xu

(10) **Patent No.:** **US D798,812 S**
(45) **Date of Patent:** **** Oct. 3, 2017**

- (54) **CONVERTER**
- (71) Applicant: **Guangdong BESTEK E-commerce Co., Ltd., Shenzhen (CN)**
- (72) Inventor: **Xinhua Xu, Shenzhen (CN)**
- (73) Assignee: **Guangdong BESTEK E-commerce Co., Ltd., Shenzhen (CN)**
- (**) Term: **15 Years**
- (21) Appl. No.: **29/570,264**
- (22) Filed: **Jul. 6, 2016**
- (51) **LOC (10) Cl.** **13-02**
- (52) **U.S. Cl.**
USPC **D13/110**
- (58) **Field of Classification Search**
USPC D13/107-110, 118-119, 144, 184, 199;
D14/155, 242, 251, 432-434
CPC H01R 25/00; H01R 27/02; H01R 13/00;
H01R 13/44
See application file for complete search history.

D693,768 S * 11/2013 Alesi D13/110
D719,091 S * 12/2014 Leddusire D13/110
D770,976 S * 11/2016 Xu D13/110

OTHER PUBLICATIONS

Bestek 200W Power Inverter, posted by Bestek, posted review date Feb. 9, 2014, © Amazon.com, [online], [site visited Jul. 7, 2017]. Available from Internet, <https://www.amazon.com/BESTEK-Power-Inverter-4-Port-Adapter/dp/B00EY6RJKK/ref=cm_cr_arp_d_product_top?ie=UTF8>.*
Wokao 200W Power Inverter, posted by Bestek, posted review date Jun. 3, 2016, © Amazon.com, [online], [site visited Jul. 7, 2017]. Available from Internet, <https://www.amazon.com/Voltage-Converter-International-Adapter-Carrying/dp/B01GJFKF72/ref=sr_1_47?s=electronics&ie=UTF8&qid=1499463943&sr=1-47>.*

* cited by examiner

Primary Examiner — Caron D Veynar

Assistant Examiner — Laura Yu

(57) **CLAIM**

I claim the ornamental design for a converter, as shown and described.

DESCRIPTION

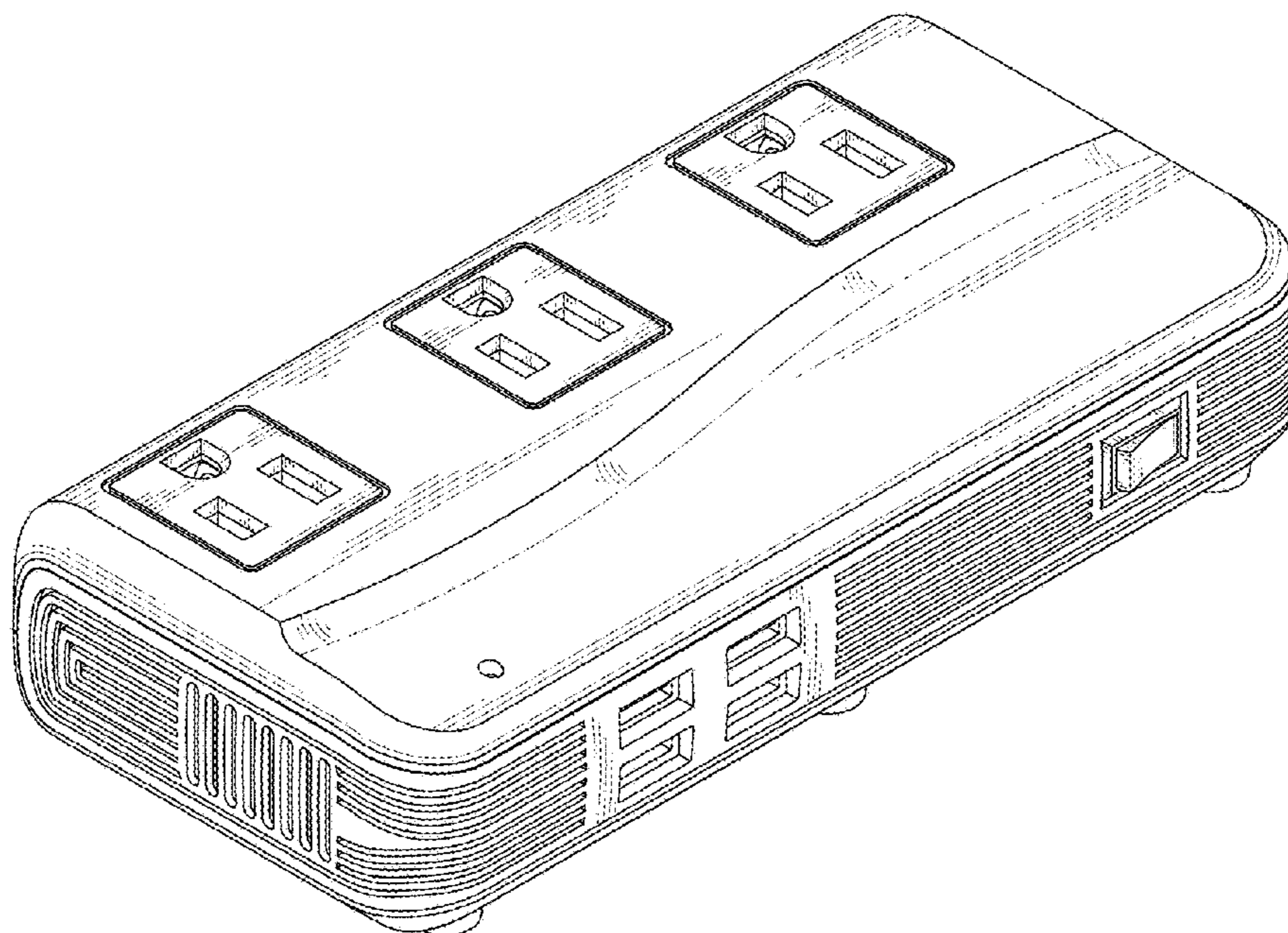
FIG. 1 is a perspective view of the converter showing my new design;
FIG. 2 is a front elevational view thereof;
FIG. 3 is a rear elevational view thereof;
FIG. 4 is a left side elevational view thereof;
FIG. 5 is a right side elevational view thereof;
FIG. 6 is a top plan view thereof; and,
FIG. 7 is a bottom plan view thereof.

1 Claim, 7 Drawing Sheets

(56) **References Cited**

U.S. PATENT DOCUMENTS

D470,848 S *	2/2003	Morooka	D14/433
D503,679 S *	4/2005	Andre	D13/110
D558,143 S *	12/2007	Hsu	D13/110
D559,848 S *	1/2008	Siu	D14/433
D560,165 S *	1/2008	Matityahu	D13/133
D575,730 S *	8/2008	Hung	D13/110
D624,495 S *	9/2010	Shum	D13/110
D654,432 S *	2/2012	Brookshire	D13/110



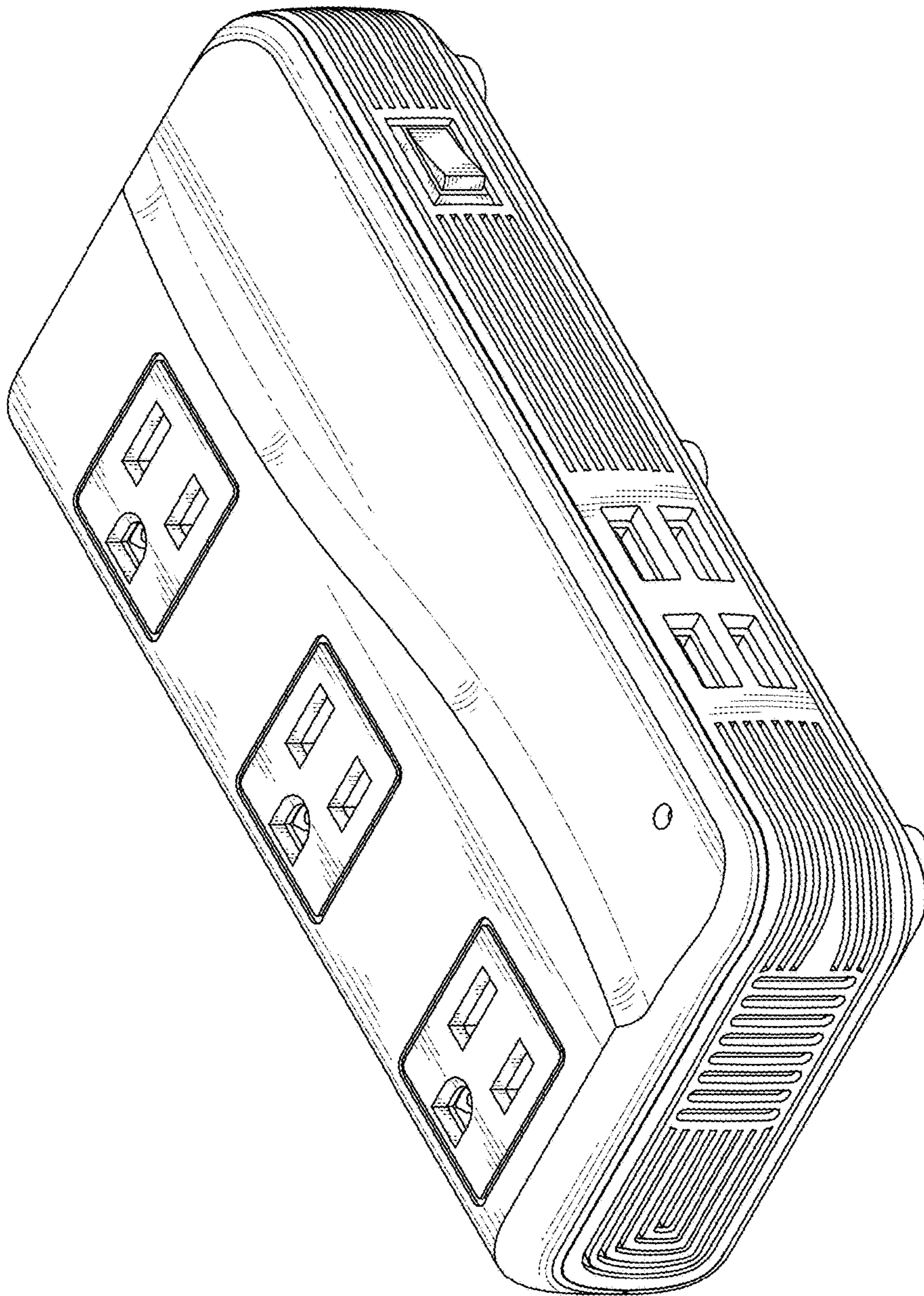


FIG. 1

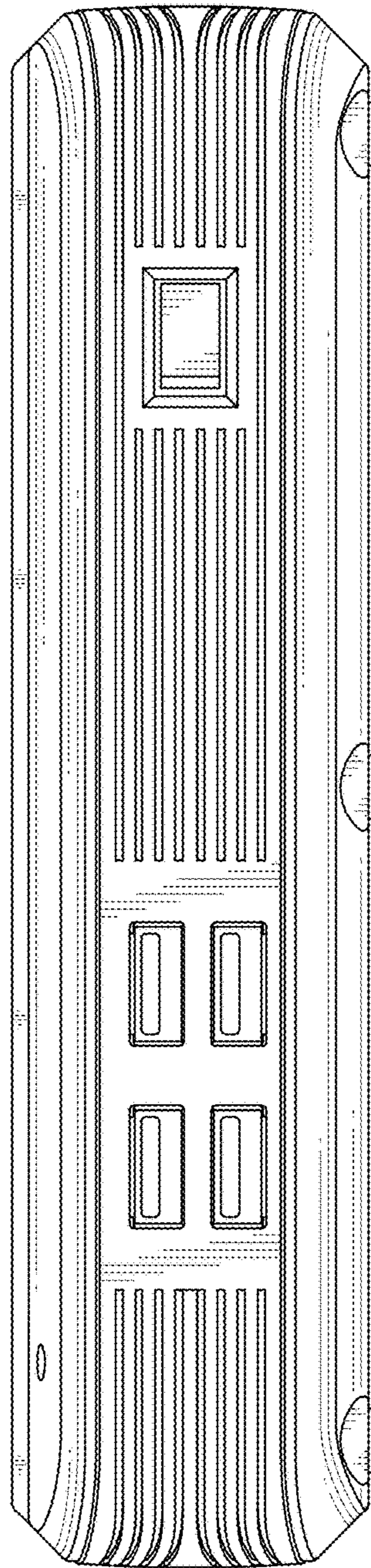


FIG. 2

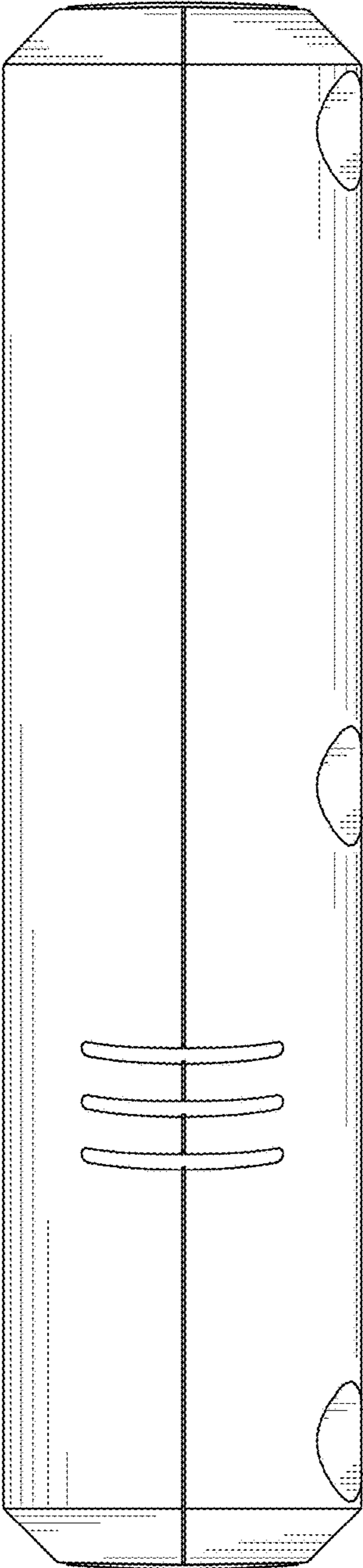


FIG. 3

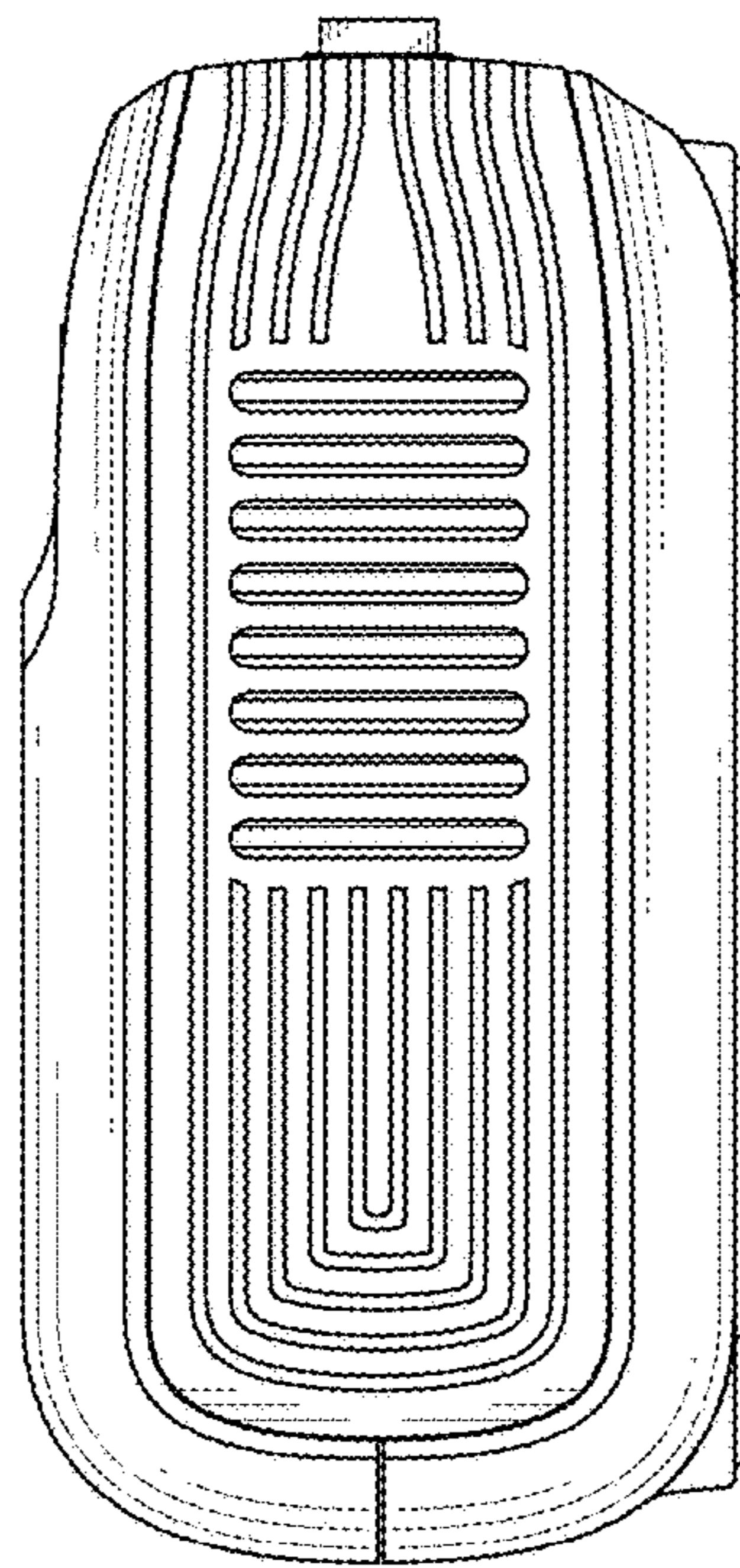


FIG. 4

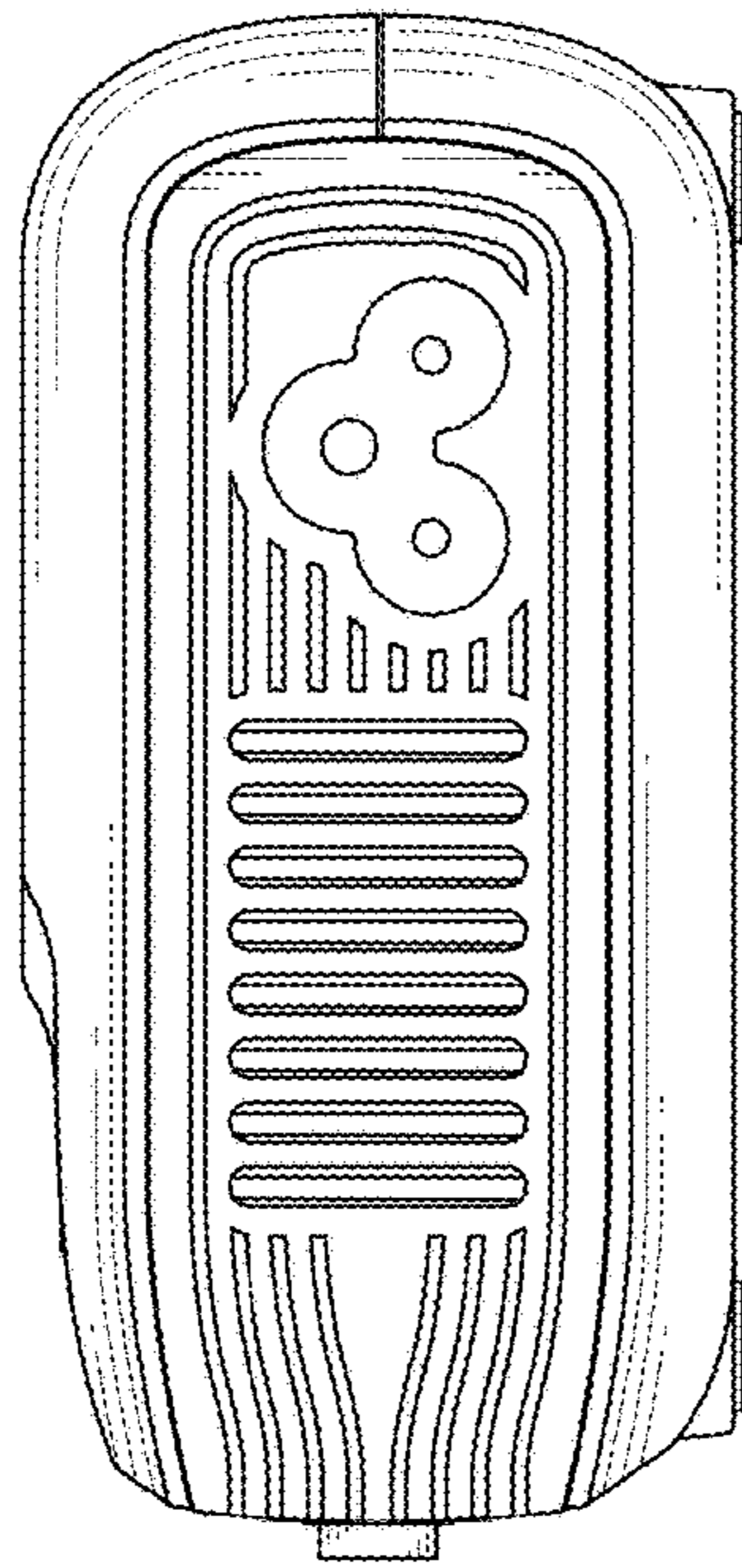


FIG. 5

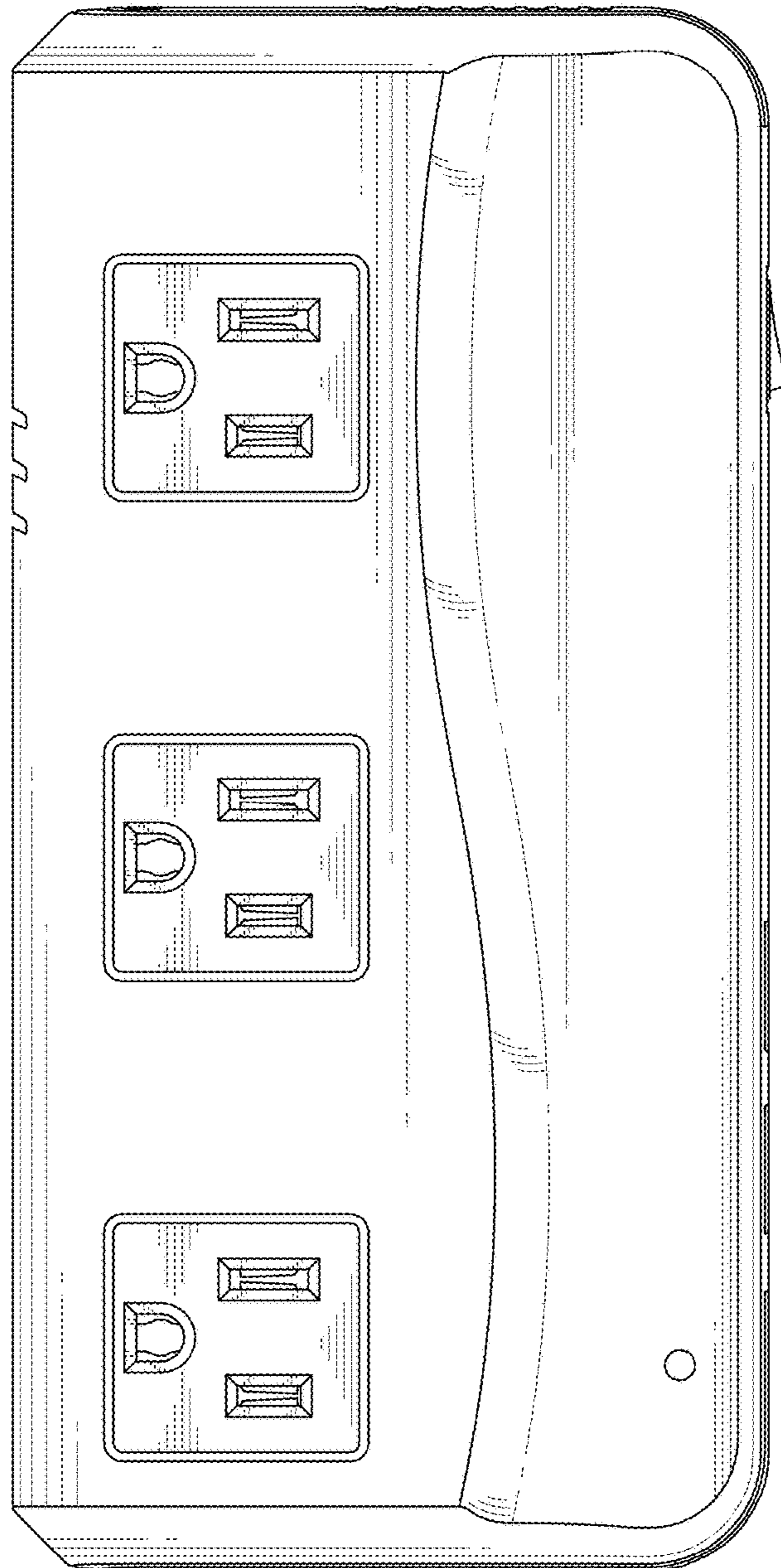


FIG. 6

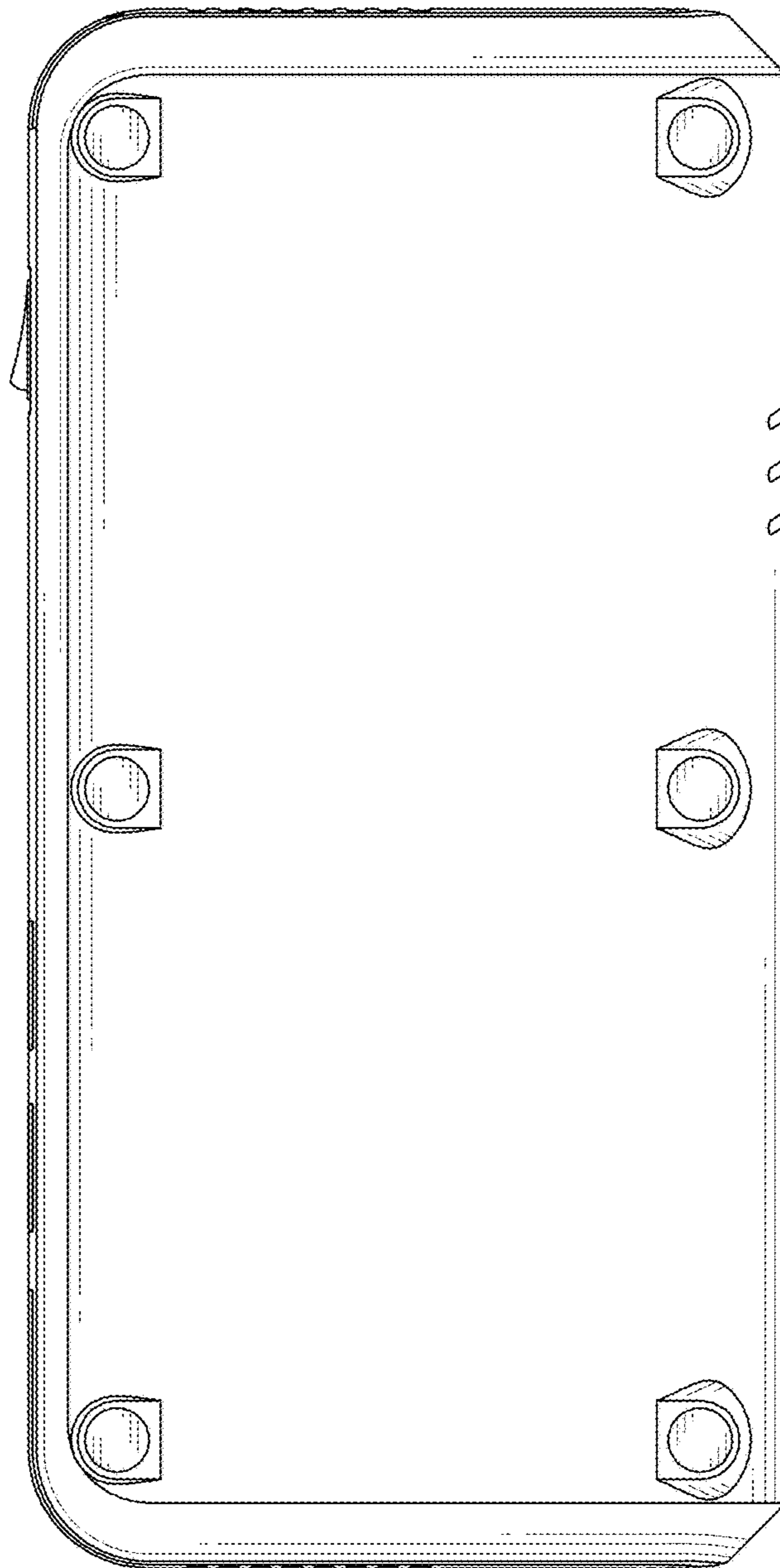


FIG. 7