



US00D798811S

(12) **United States Design Patent** (10) **Patent No.:** **US D798,811 S**  
**Liao** (45) **Date of Patent:** **\*\* Oct. 3, 2017**

(54) **MULTI-FUNCTION CONVERTER**

(71) Applicant: **Zhuowen Liao**, Shenzhen (CN)

(72) Inventor: **Zhuowen Liao**, Shenzhen (CN)

(\*\*) Term: **15 Years**

(21) Appl. No.: **29/565,127**

(22) Filed: **May 18, 2016**

(30) **Foreign Application Priority Data**

Apr. 28, 2016 (CN) ..... 2016 3 0149652

(51) **LOC (10) Cl.** ..... **13-02**

(52) **U.S. Cl.**  
USPC ..... **D13/110**

(58) **Field of Classification Search**  
USPC ..... D13/101, 102, 107, 108, 110, 112, 118,  
D13/119, 123, 133, 138.1, 162, 184, 199,  
D13/147; D14/433

CPC ..... H02P 27/04; H02P 27/06; H02P 27/047;  
H02P 2201/09; H02P 2201/11; H02M  
2001/0067; H02M 2001/007; H02M  
2001/0045; H02M 2001/0083; H02M  
2001/009; H02M 7/003; H02M 7/06;  
H02M 7/00; G06F 1/00; G06F 1/188;  
G06F 1/189; G06F 1/26; G06F 11/2015;  
H01R 13/66; H01R 13/60; H01R 13/72;  
H01R 13/6675; H01R 31/065; H05K  
5/0021; H05K 5/0208; H05K 5/0247;  
H05K 5/00

See application file for complete search history.

(56) **References Cited**

**U.S. PATENT DOCUMENTS**

D487,087 S \* 2/2004 Wang ..... D14/125  
D490,404 S \* 5/2004 Chan ..... D14/240

D496,629 S \* 9/2004 Hriscu ..... D13/110  
D596,125 S \* 7/2009 Norin ..... D13/133  
D599,800 S \* 9/2009 Klein ..... D14/433  
D654,867 S \* 2/2012 Huppe ..... D13/110  
8,410,632 B2 \* 4/2013 Chou ..... H01R 29/00  
307/15  
D714,729 S \* 10/2014 Akana ..... D13/147  
D714,731 S \* 10/2014 Lee ..... D13/147  
D720,449 S \* 12/2014 Galbraith ..... D24/111  
D720,692 S \* 1/2015 Matsuoka ..... D13/110  
D730,903 S \* 6/2015 Langhammer ..... D14/433  
D731,489 S \* 6/2015 Langhammer ..... D14/433  
D742,320 S \* 11/2015 Akana ..... D13/147  
D778,913 S \* 2/2017 Huang ..... D13/110  
2010/0151723 A1 \* 6/2010 Su ..... H01R 31/06  
439/505

\* cited by examiner

*Primary Examiner* — Rosemary K Tarcza

*Assistant Examiner* — Christy Nemeth

(74) *Attorney, Agent, or Firm* — Roger H. Chu

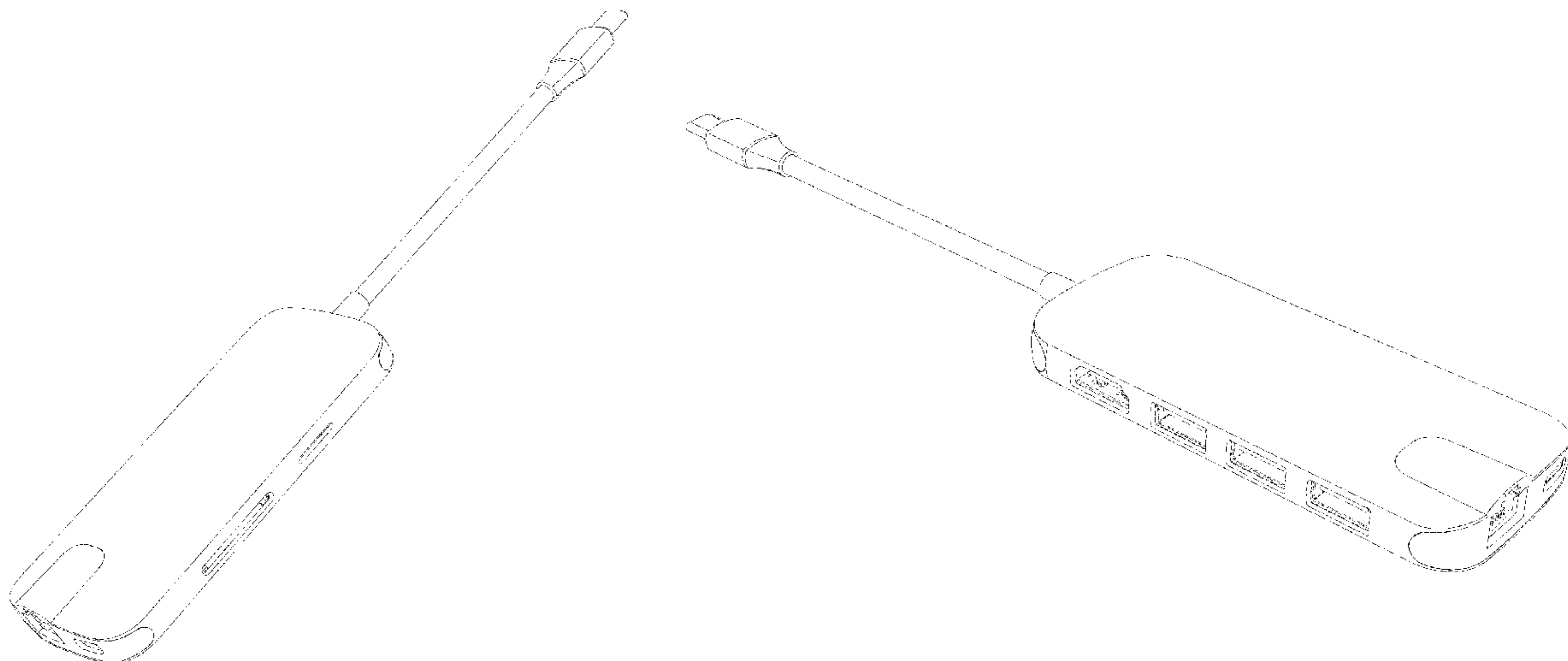
(57) **CLAIM**

The ornamental design for a multi-function converter, as shown and described.

**DESCRIPTION**

FIG. 1 is a top view of a multi-function converter showing my design;  
FIG. 2 is a left side view thereof;  
FIG. 3 is a right side view thereof;  
FIG. 4 is a bottom view thereof;  
FIG. 5 is a front view thereof;  
FIG. 6 is a rear view thereof;  
FIG. 7 is a top, right and rear perspective view thereof; and,  
FIG. 8 is a bottom, left and front perspective view thereof.  
The broken lines present in the drawings are included for the purpose of illustrating portions of the multi-function converter that form no part of the claimed design.

**1 Claim, 8 Drawing Sheets**



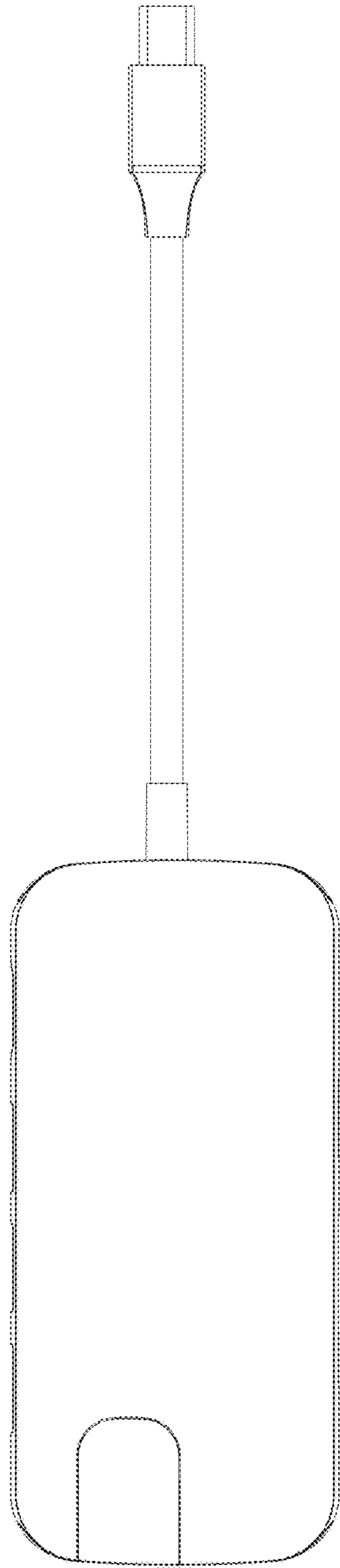


Fig 1

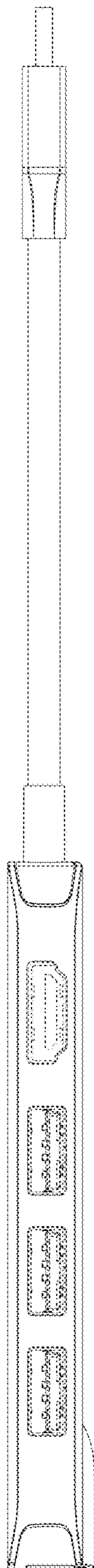


Fig 2

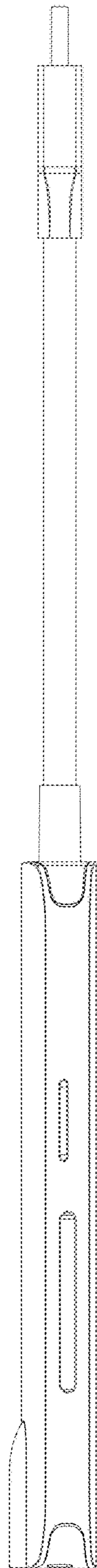


Fig 3

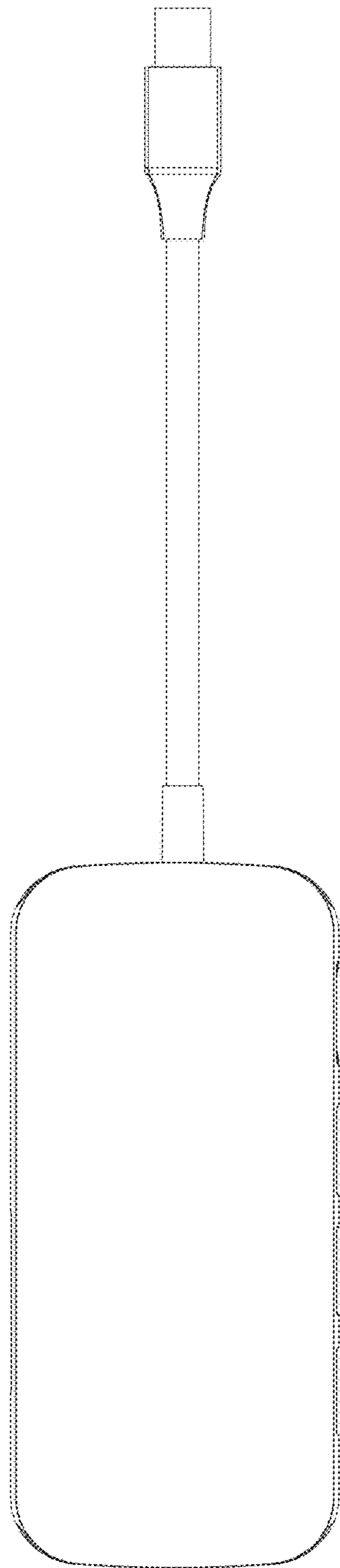


Fig 4

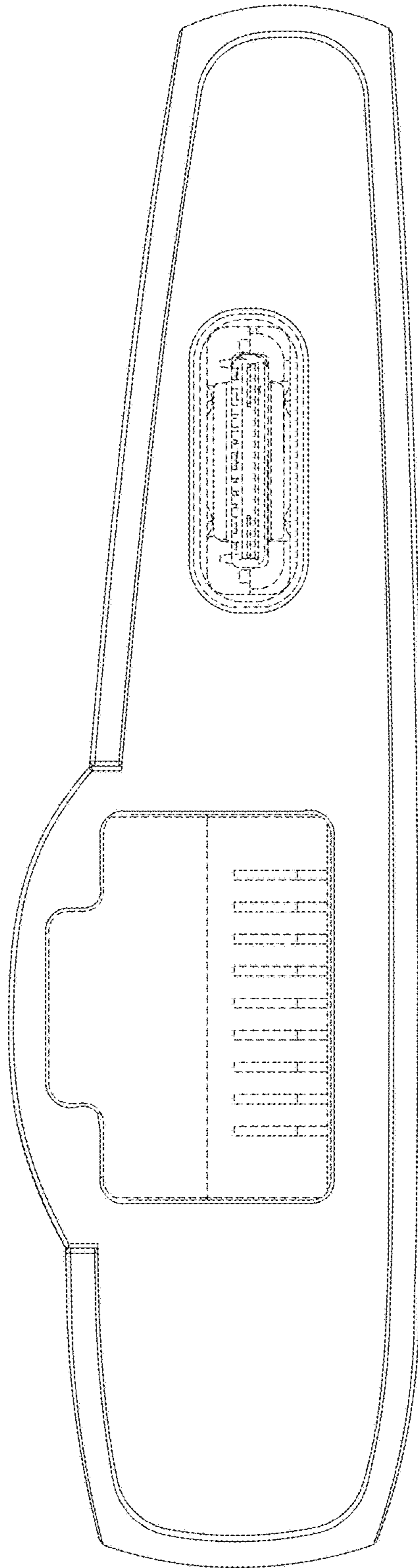


Fig 5

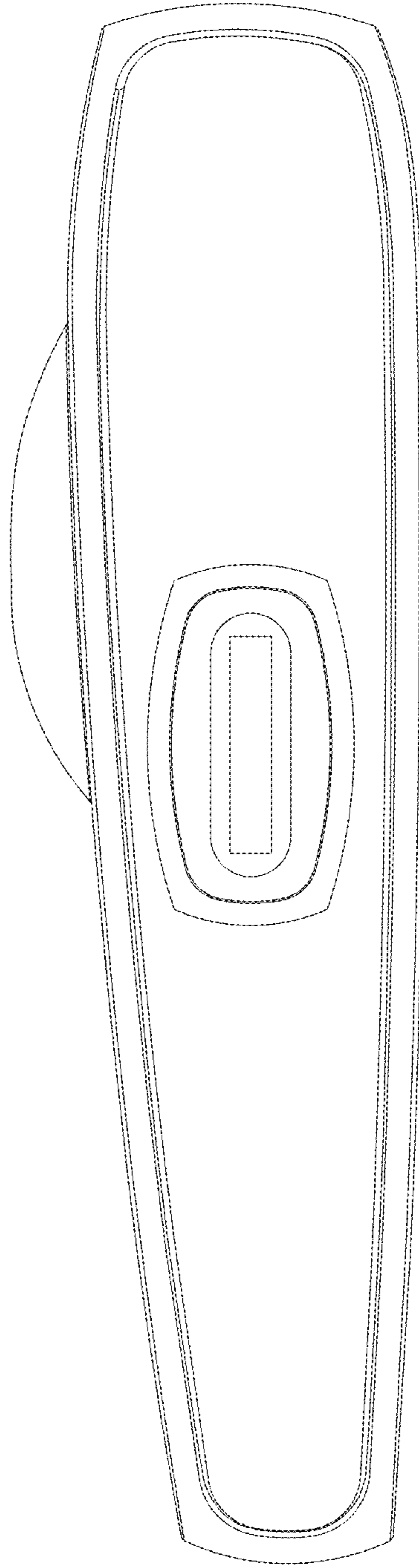


Fig 6

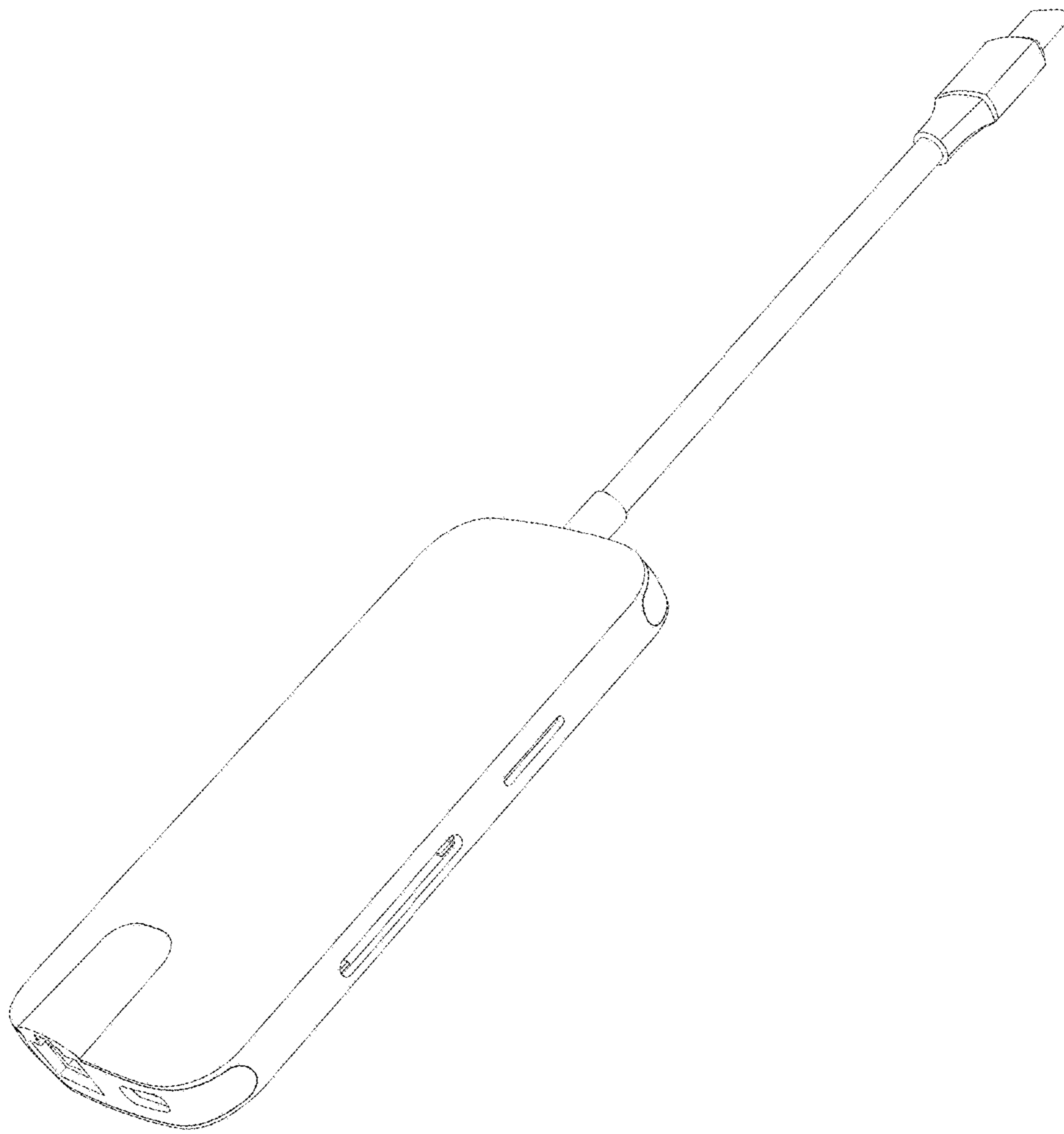


Fig 7



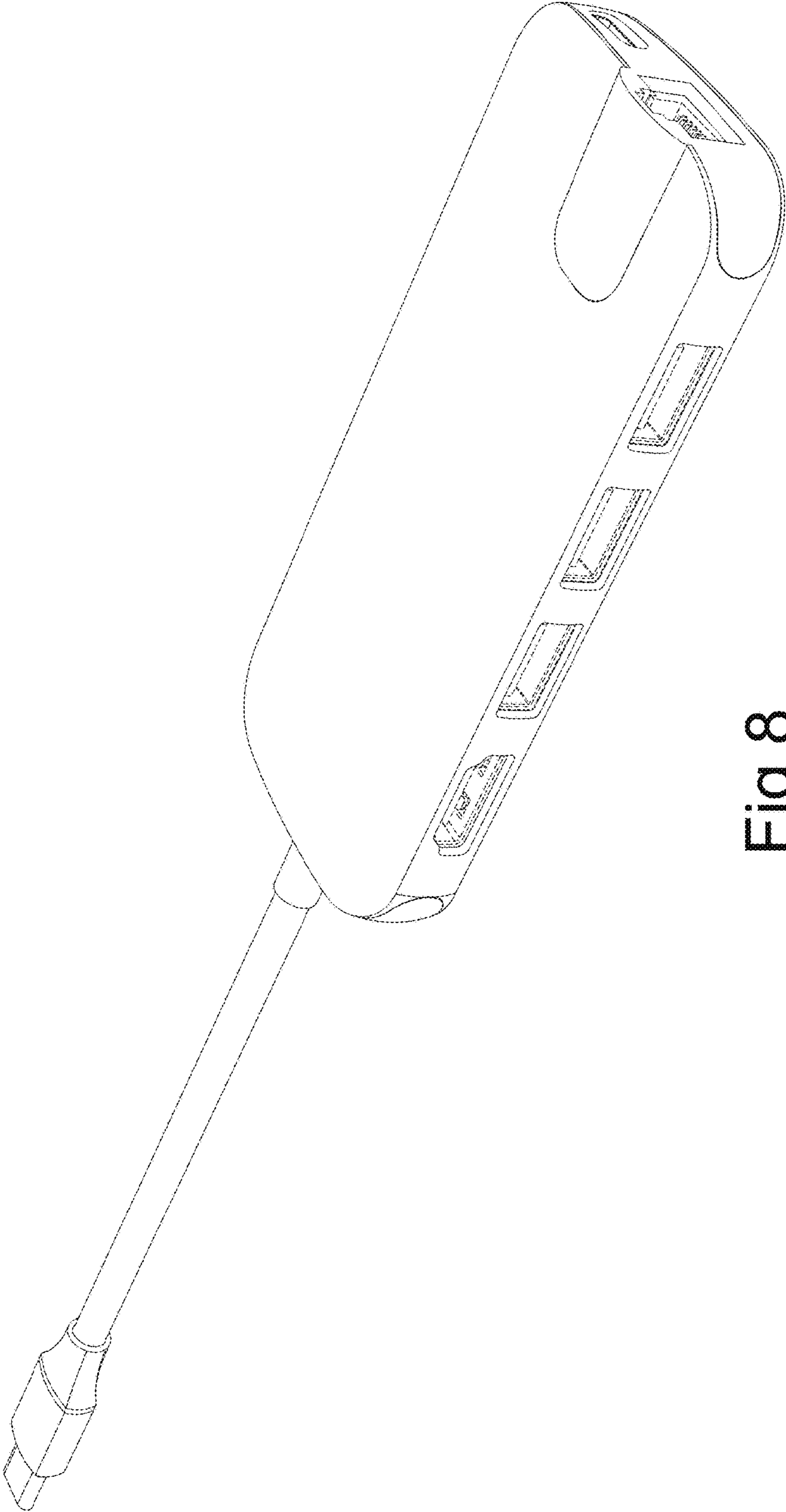


Fig 8