



US00D798810S

(12) **United States Design Patent**
Benn et al.

(10) **Patent No.:** **US D798,810 S**
(45) **Date of Patent:** **** Oct. 3, 2017**

(54) **INVERTER**

(71) Applicant: **SMA Solar Technology AG**, Niestetal (DE)

(72) Inventors: **Alexander Benn**, Heidelberg (DE);
Christof Wetzel, Remchingen (DE)

(73) Assignee: **SMA SOLAR TECHNOLOGY AG**, Niestetal (DE)

(**) Term: **15 Years**

(21) Appl. No.: **29/555,264**

(22) Filed: **Feb. 19, 2016**

(51) **LOC (10) Cl.** **13-02**

(52) **U.S. Cl.**
USPC **D13/110**

(58) **Field of Classification Search**
USPC D13/110, 101, 118, 122, 123, 184, 199;
307/150-152; 361/600, 601, 622, 702,
361/703, 730, 796, 809; 363/141, 142
CPC Y02E 10/50; Y02E 10/544; H02S 30/20;
H01L 31/042; H01F 27/06
See application file for complete search history.

(56) **References Cited**

U.S. PATENT DOCUMENTS

D281,315 S * 11/1985 Kjeld D13/179
5,610,493 A * 3/1997 Wieloch H02M 7/003
318/801

D494,132 S * 8/2004 Song D13/110
D558,141 S * 12/2007 Kwon D13/110
D604,237 S * 11/2009 Engel D13/110
D633,441 S * 3/2011 Ishimaru D13/110
D677,222 S * 3/2013 Haapaniemi D13/110
D703,136 S * 4/2014 Choi D13/110

* cited by examiner

Primary Examiner — Derrick Holland

(74) *Attorney, Agent, or Firm* — Slater Matsil, LLP

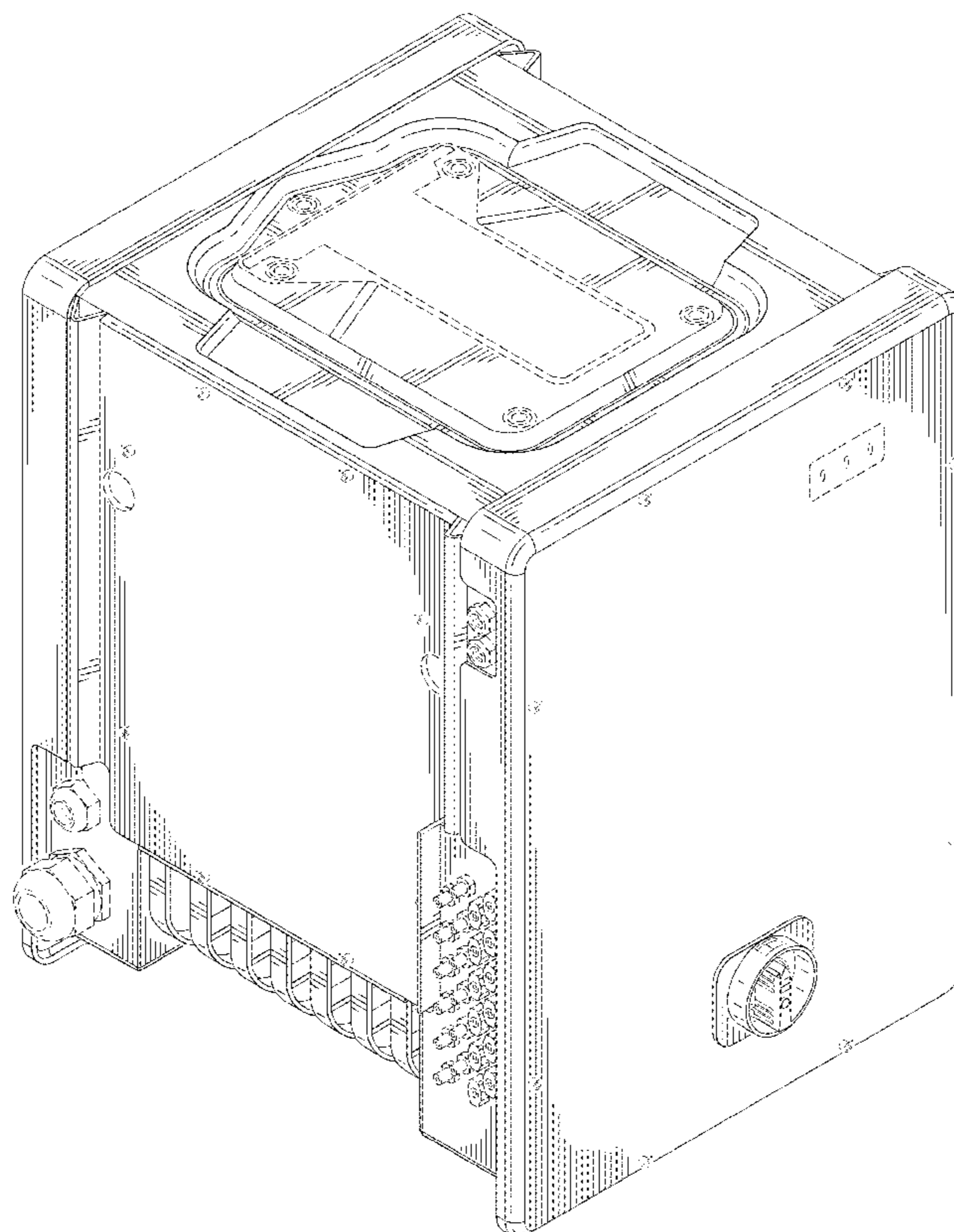
(57) **CLAIM**

The ornamental design for an inverter, as shown and described.

DESCRIPTION

FIG. 1 is a front perspective view of an inverter;
FIG. 2 is a back perspective view thereof.
FIG. 3 is a left side view thereof;
FIG. 4 is a front view thereof;
FIG. 5 is a right side view thereof;
FIG. 6 is a back view thereof;
FIG. 7 is a top plan view thereof; and,
FIG. 8 is a bottom plan view thereof.
The broken line portions of the figure drawings are included to show unclaimed subject matter only and form no part of the claimed design.

1 Claim, 8 Drawing Sheets



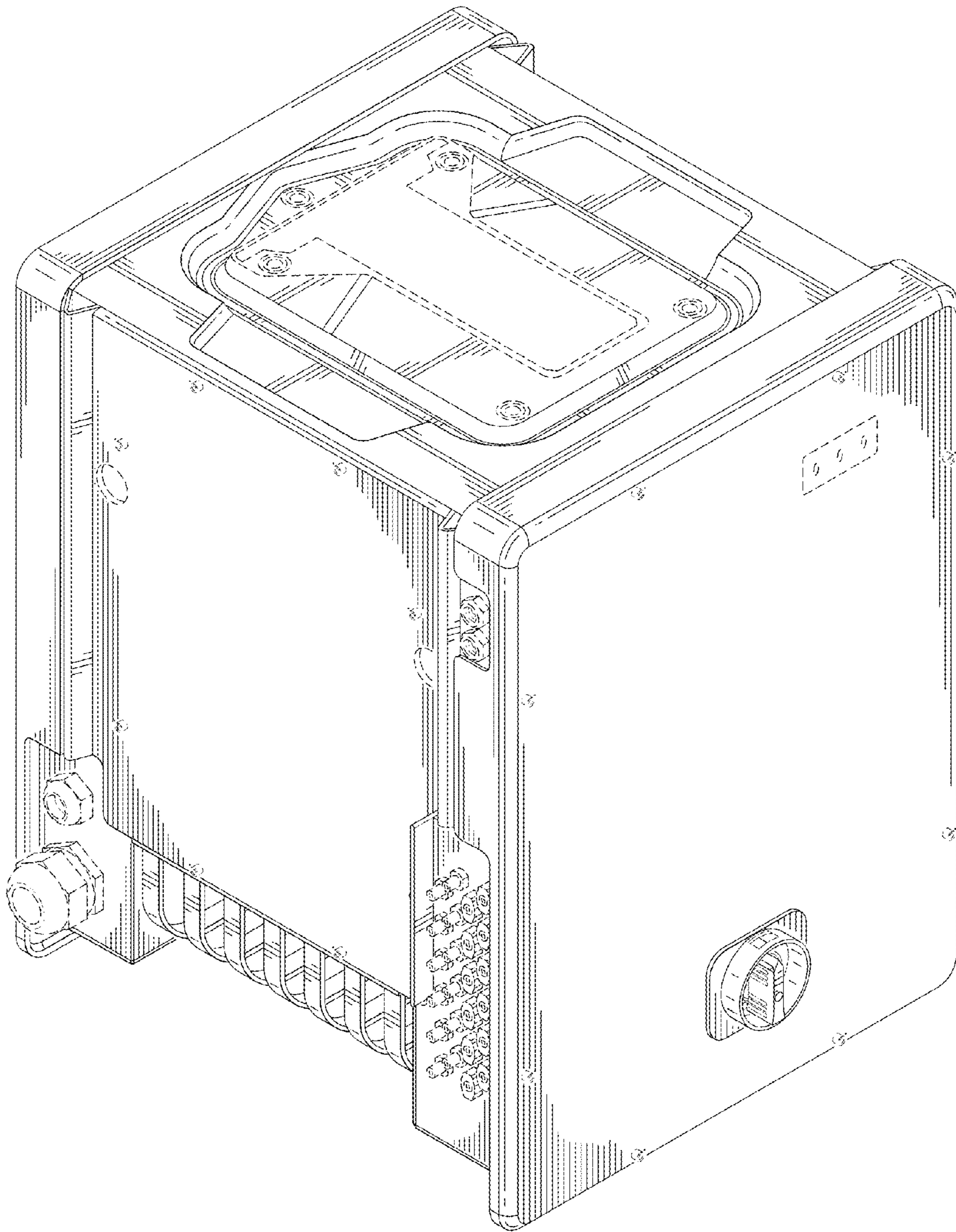


FIG. 1

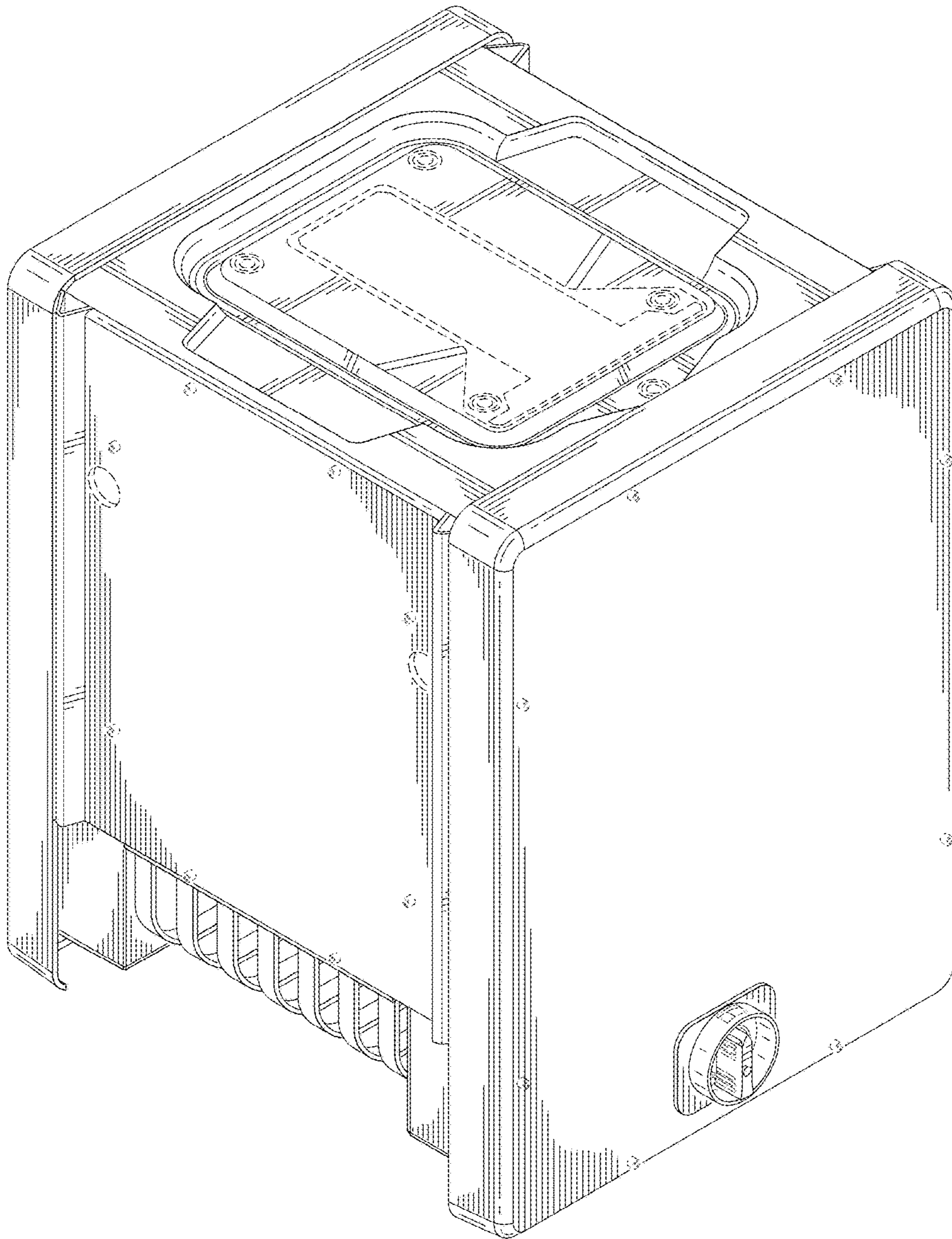


FIG. 2

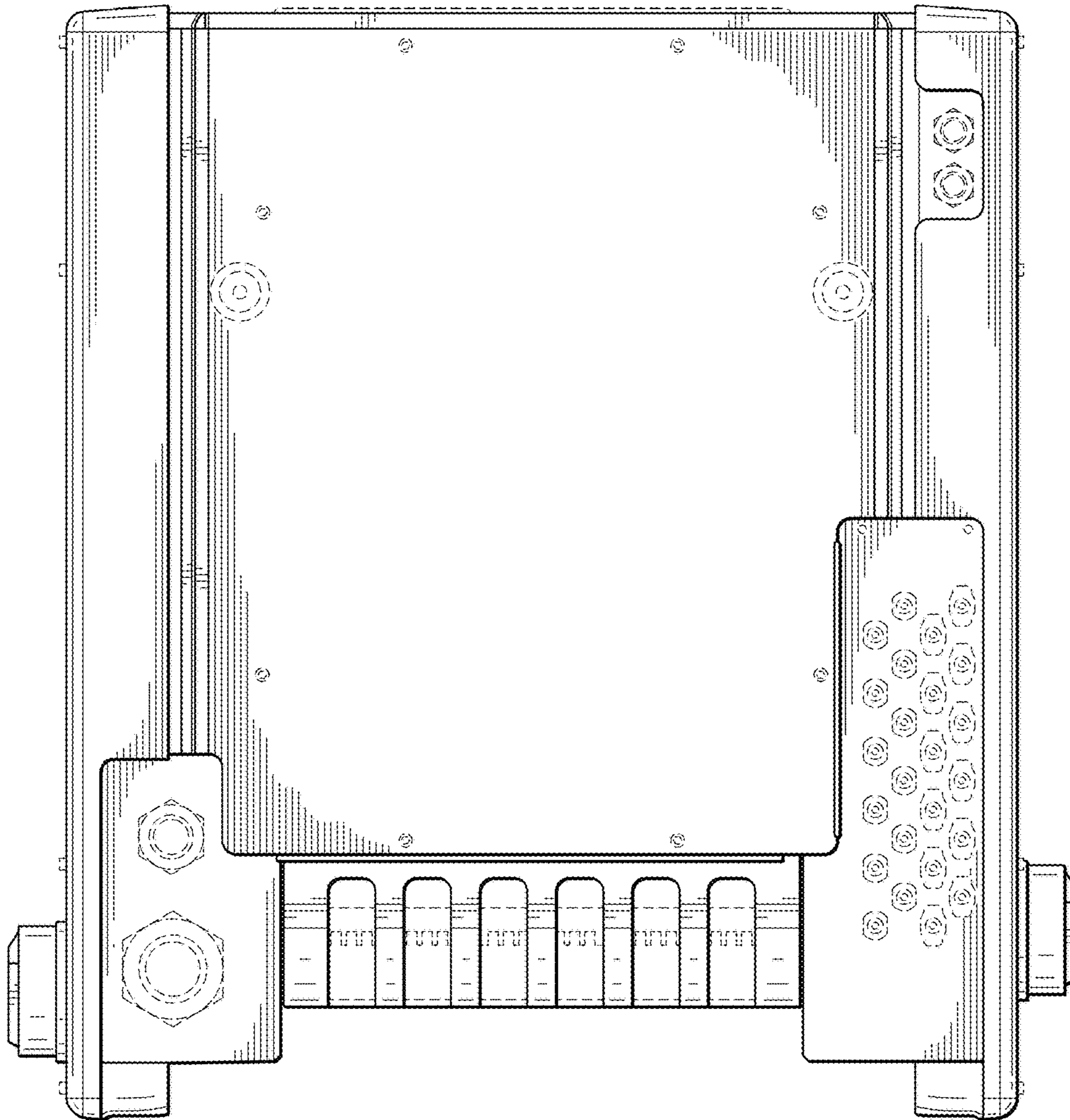


FIG. 3

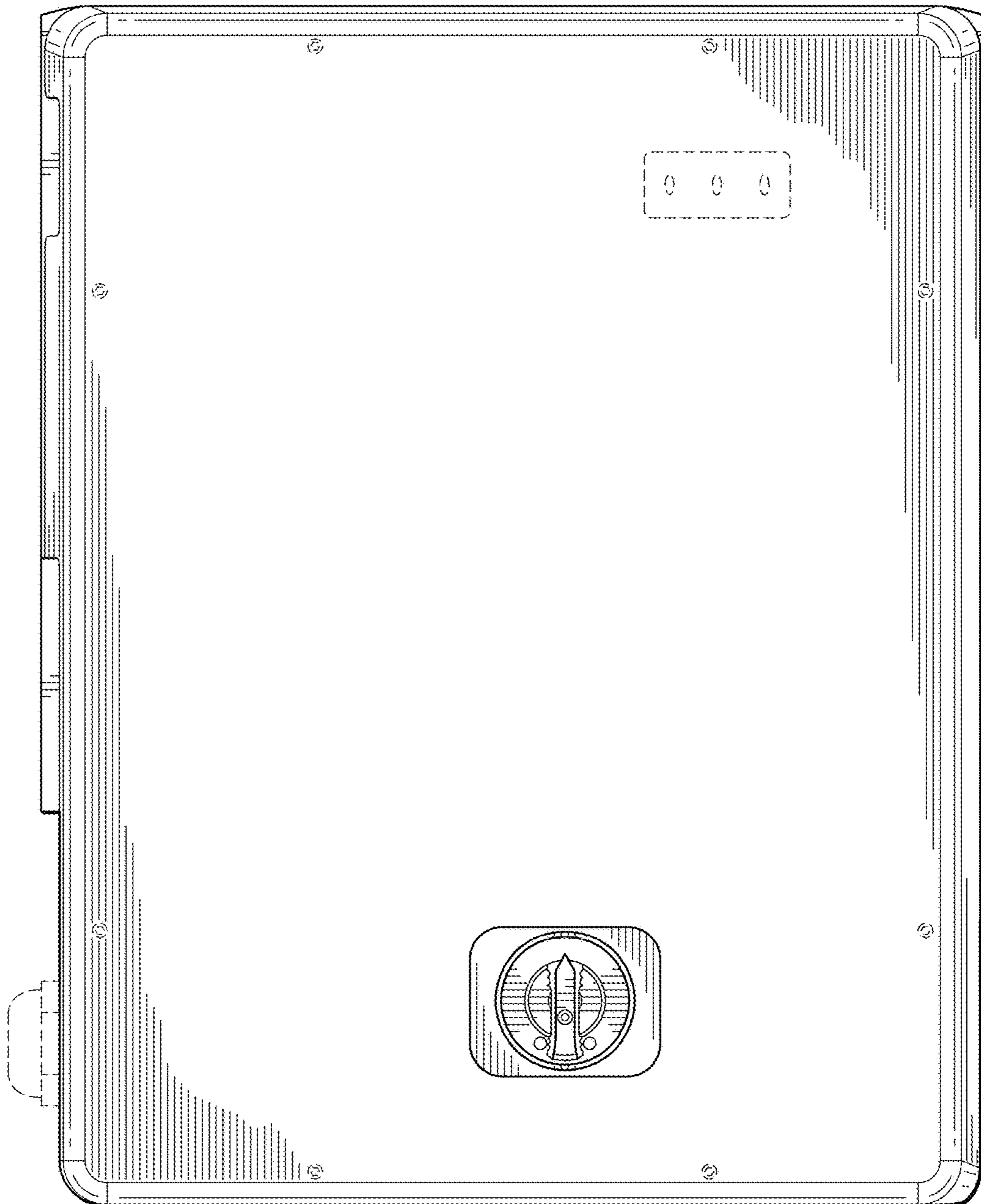


FIG. 4

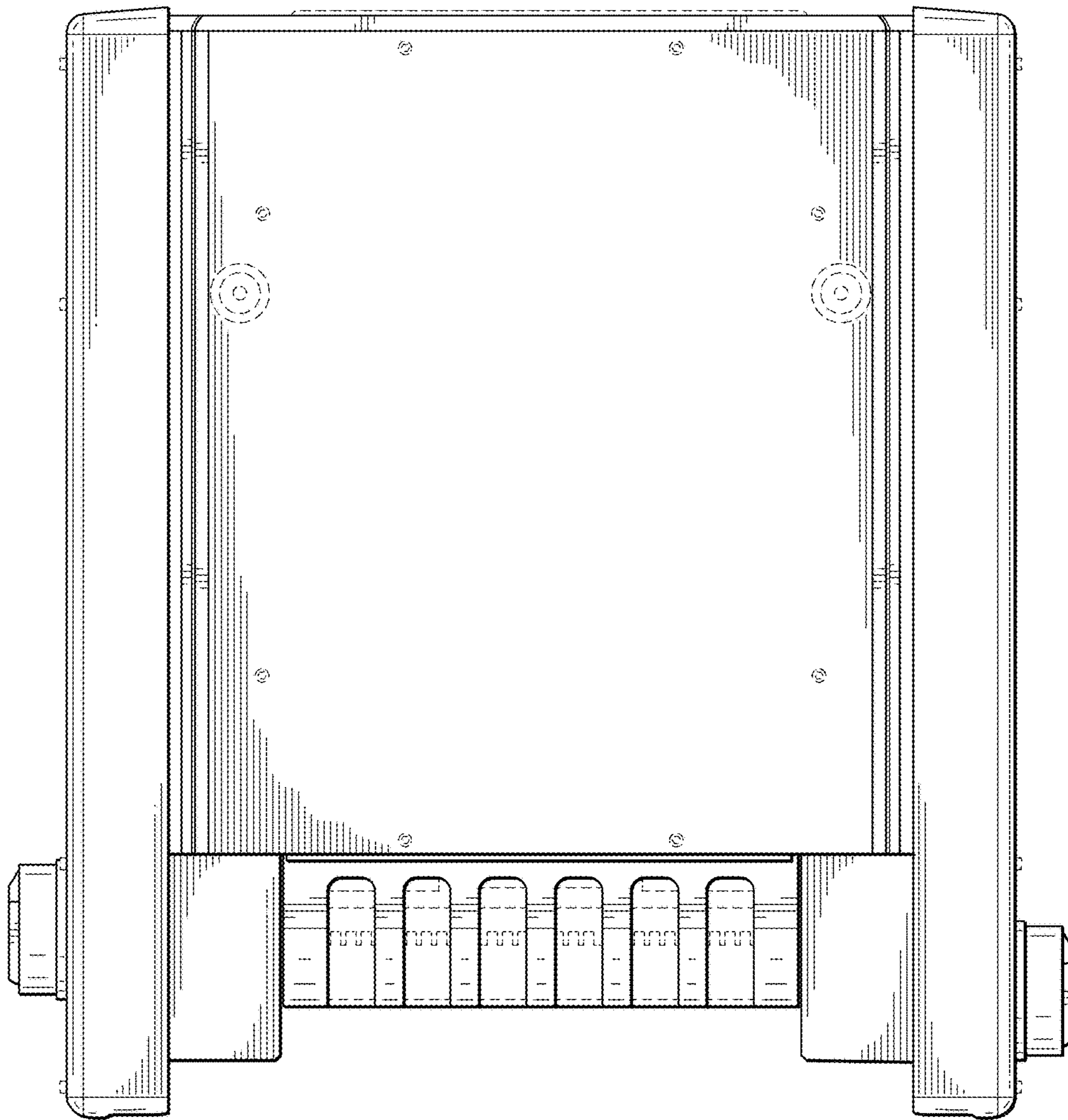


FIG. 5

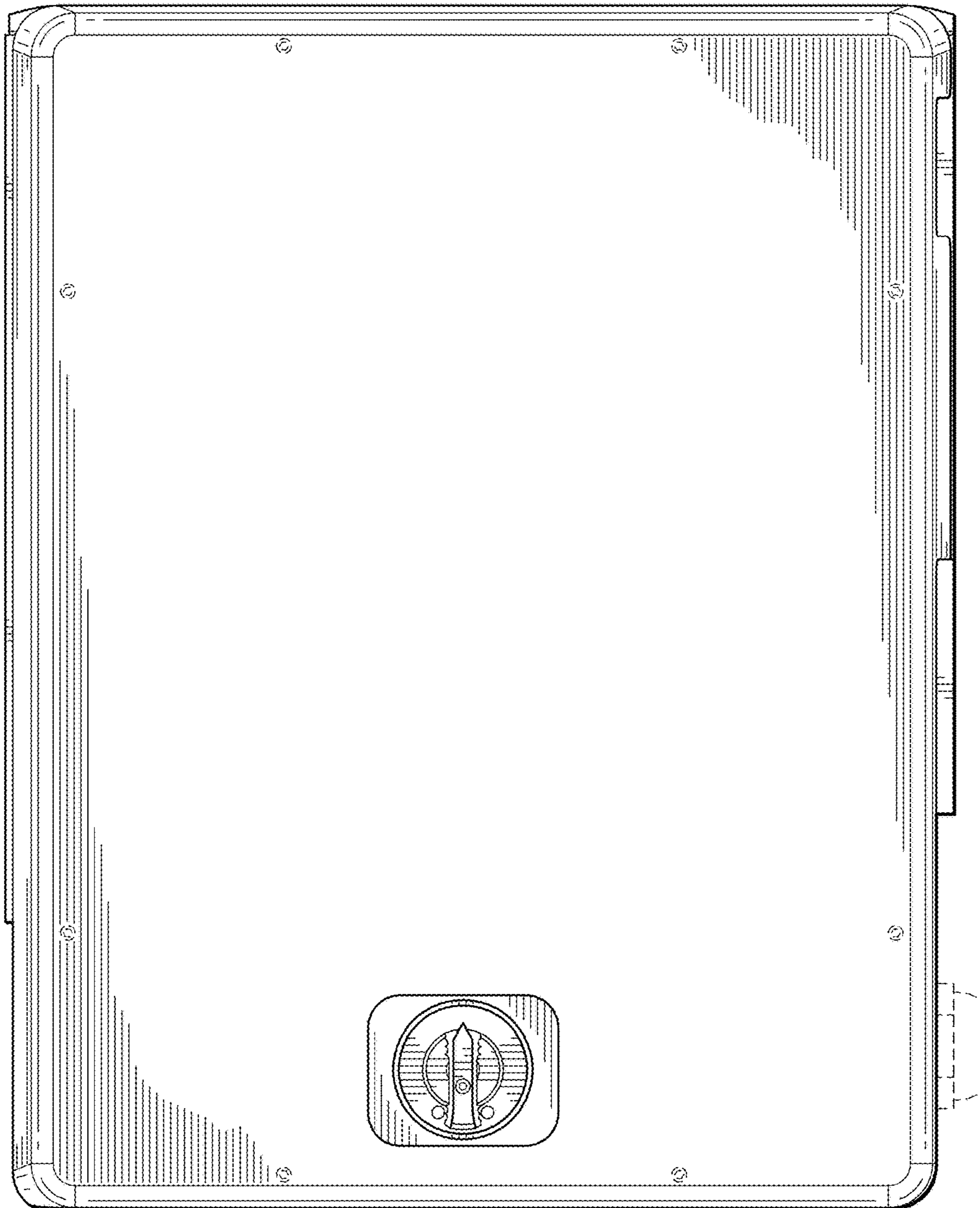


FIG. 6

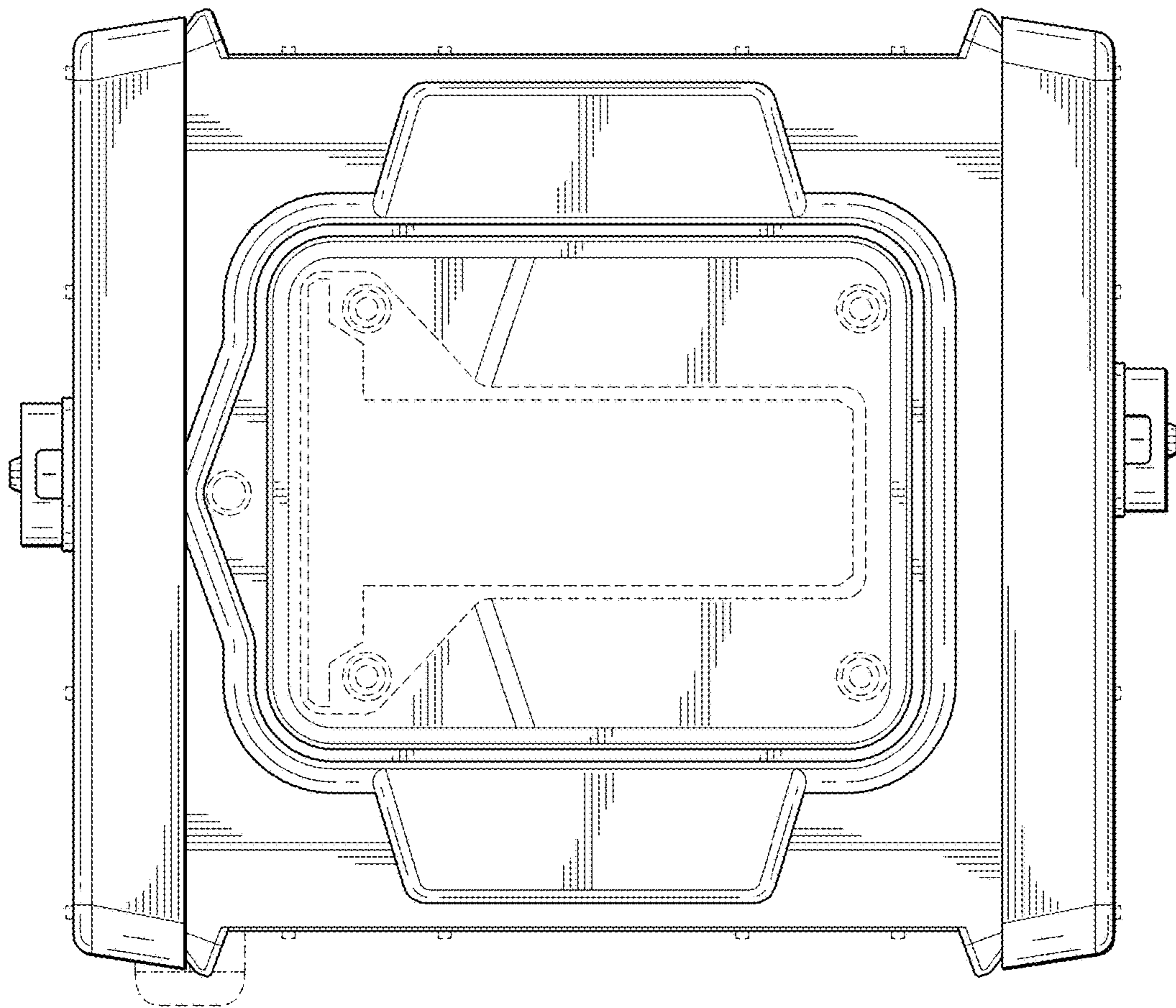


FIG. 7

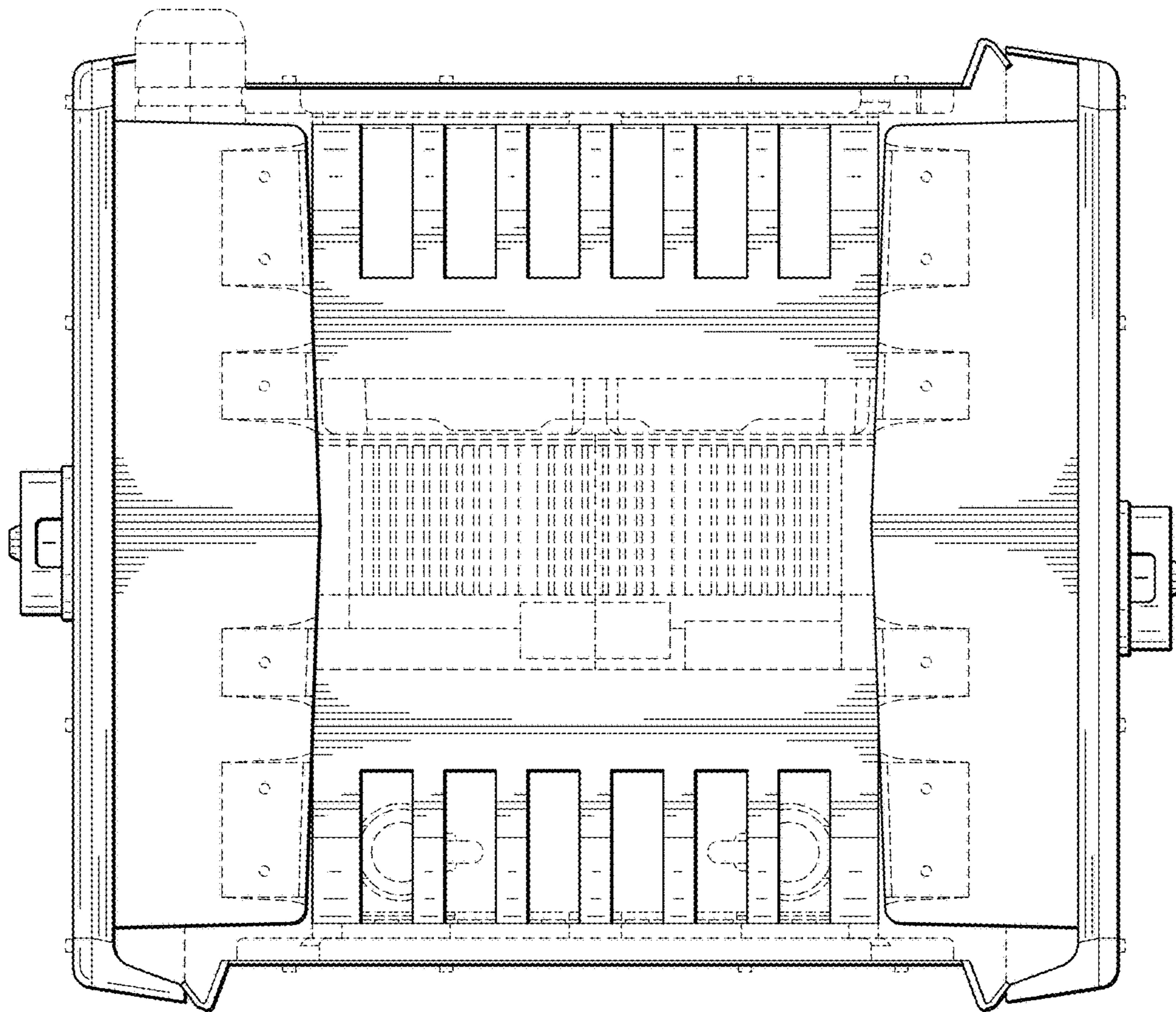


FIG. 8