



US00D798809S

(12) **United States Design Patent**
Benn et al.

(10) **Patent No.:** **US D798,809 S**
(45) **Date of Patent:** **** Oct. 3, 2017**

(54) **INVERTER**

(71) Applicant: **SMA Solar Technology AG**, Niestetal (DE)

(72) Inventors: **Alexander Benn**, Heidelberg (DE);
Christof Wetzel, Remchingen (DE)

(73) Assignee: **SMA SOLAR TECHNOLOGY AG**, Niestetal (DE)

(**) Term: **14 Years**

(21) Appl. No.: **29/525,748**

(22) Filed: **May 1, 2015**

(51) **LOC (10) Cl.** **13-02**

(52) **U.S. Cl.**
USPC **D13/110**

(58) **Field of Classification Search**

USPC D13/110, 108, 118, 123, 162, 168, 169,
D13/174, 177, 184, 199; D14/257, 432,
D14/438; 174/16.3, 17 R, 17.08;
361/600, 601, 690, 694, 695, 679.01,
361/679.61, 704, 730; 363/141, 142
CPC H05K 5/00; H05K 5/02; H05K 5/0247;
H05K 7/00; H05K 7/20; H05K 7/20136;
H05K 7/20154; H05K 7/209; H02M 7/00;
H02M 7/003; H02M 2001/009; H02J
7/0042; Y10T 307/367

See application file for complete search history.

(56) **References Cited**

U.S. PATENT DOCUMENTS

D669,847 S * 10/2012 Jadraque Aznarez D13/102
D669,852 S * 10/2012 Eppinger D13/110

D677,222 S * 3/2013 Haapaniemi D13/110
D705,727 S * 5/2014 Hensel D13/102
D709,449 S * 7/2014 Oba D13/110
D724,535 S * 3/2015 Wang D13/110
D724,536 S * 3/2015 Wang D13/110
D733,654 S * 7/2015 Pallasmaa D13/123
2007/0160194 A1* 7/2007 Vo H01R 13/7034
379/413.02
2008/0302643 A1* 12/2008 Victor H02M 7/003
200/331
2011/0069451 A1* 3/2011 Hobein H02M 7/003
361/695

* cited by examiner

Primary Examiner — Derrick Holland

(74) *Attorney, Agent, or Firm* — Slater Matsil, LLP

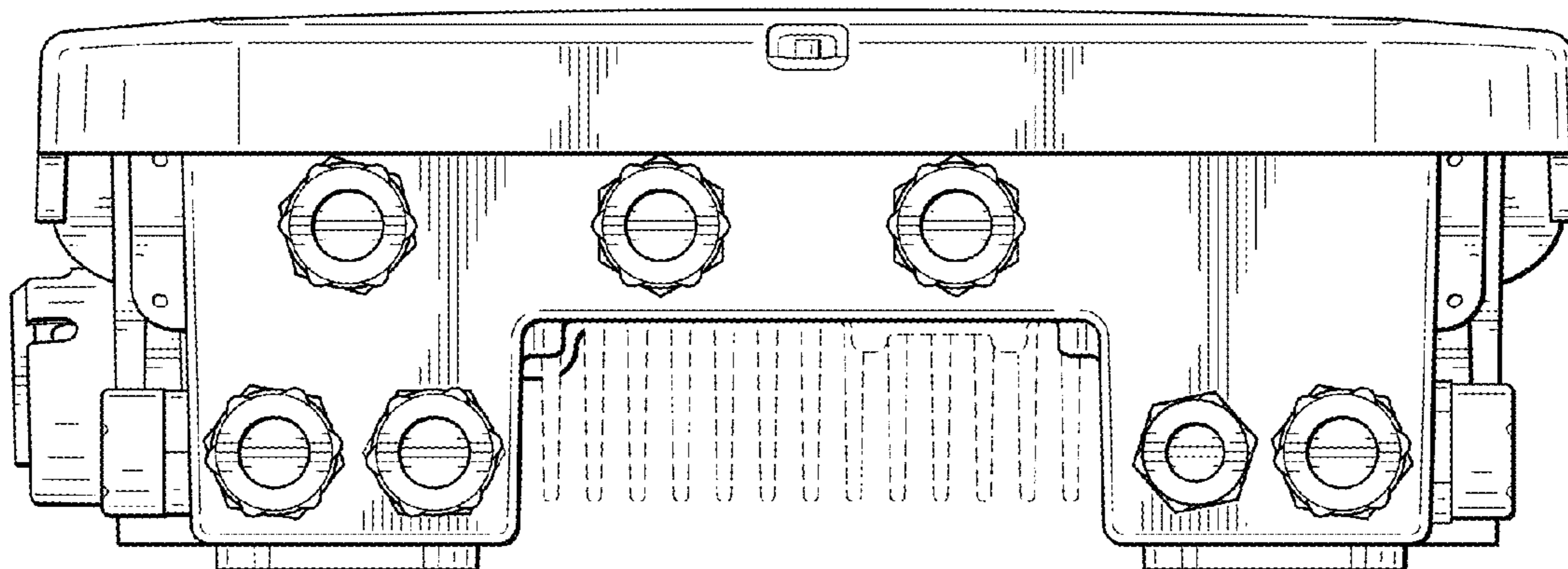
(57) **CLAIM**

The ornamental design for an inverter, as shown and described.

DESCRIPTION

FIG. 1 is a front view of an inverter;
FIG. 2 is a right side view thereof;
FIG. 3 is a left side view thereof;
FIG. 4 is a back view thereof;
FIG. 5 is a bottom view thereof;
FIG. 6 is a top view thereof; and,
FIG. 7 is a back perspective view thereof.
The broken line portion of the figure drawings is included to show unclaimed subject matter only and forms no part of the claimed design.

1 Claim, 5 Drawing Sheets



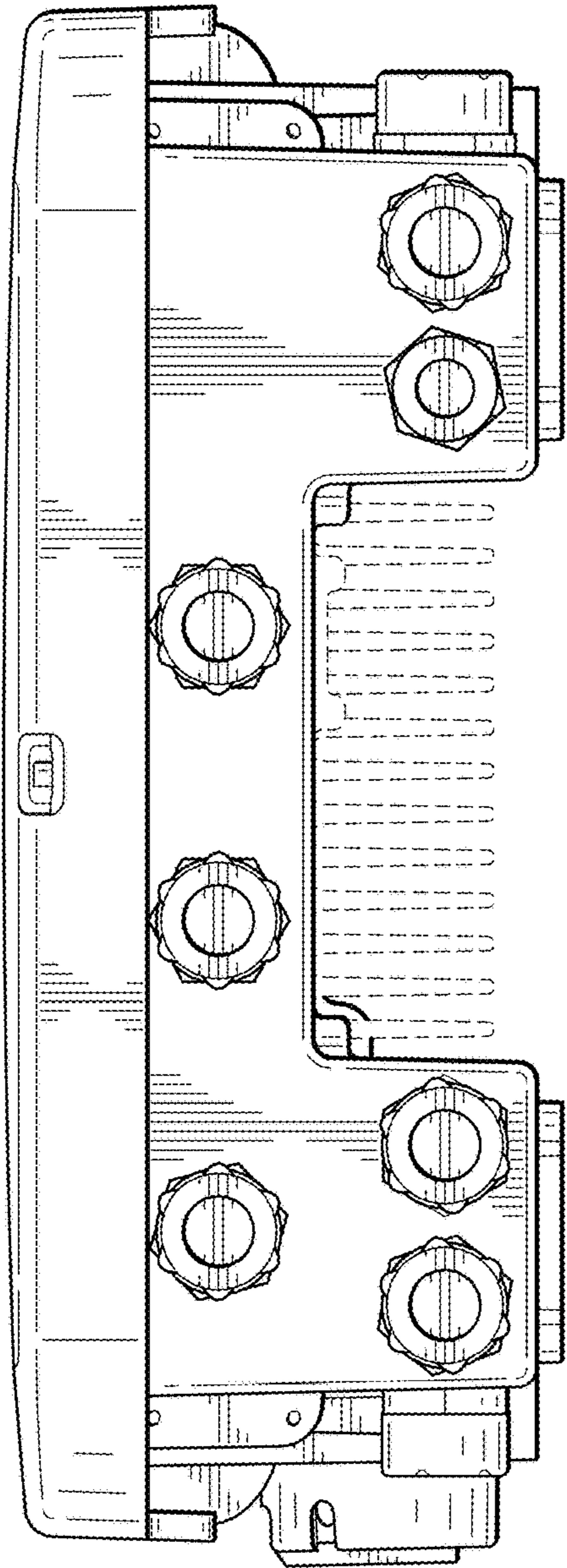


FIG. 1

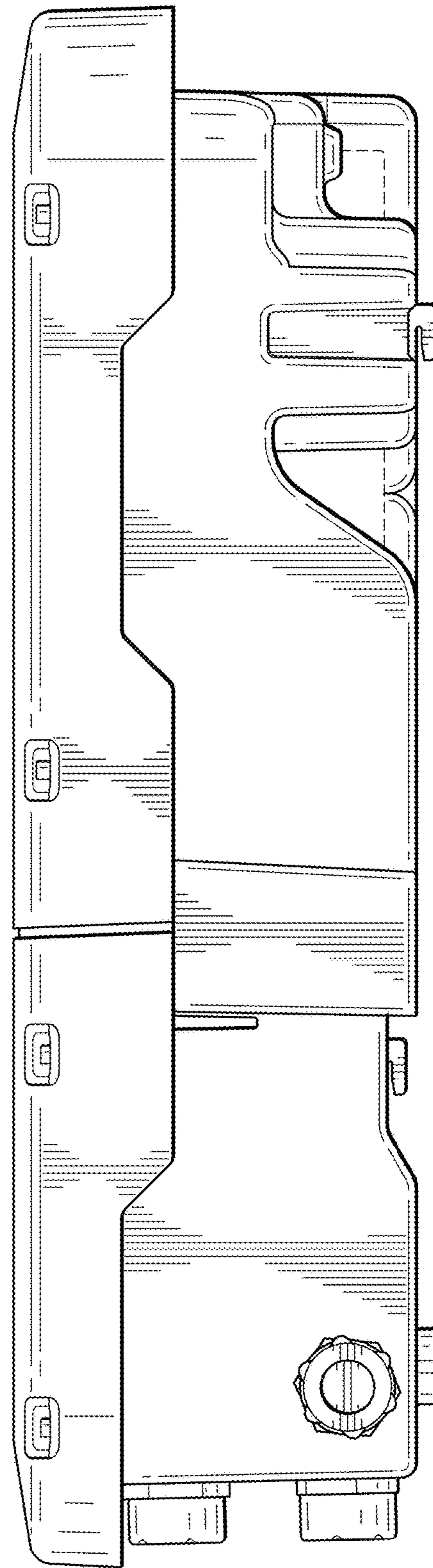


FIG. 2

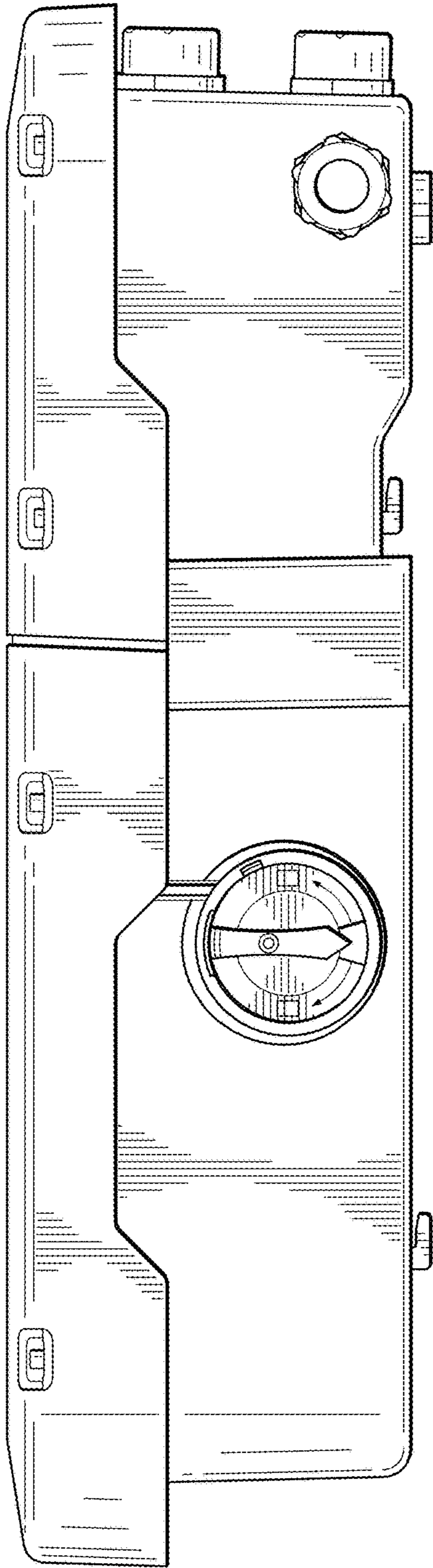


FIG. 3

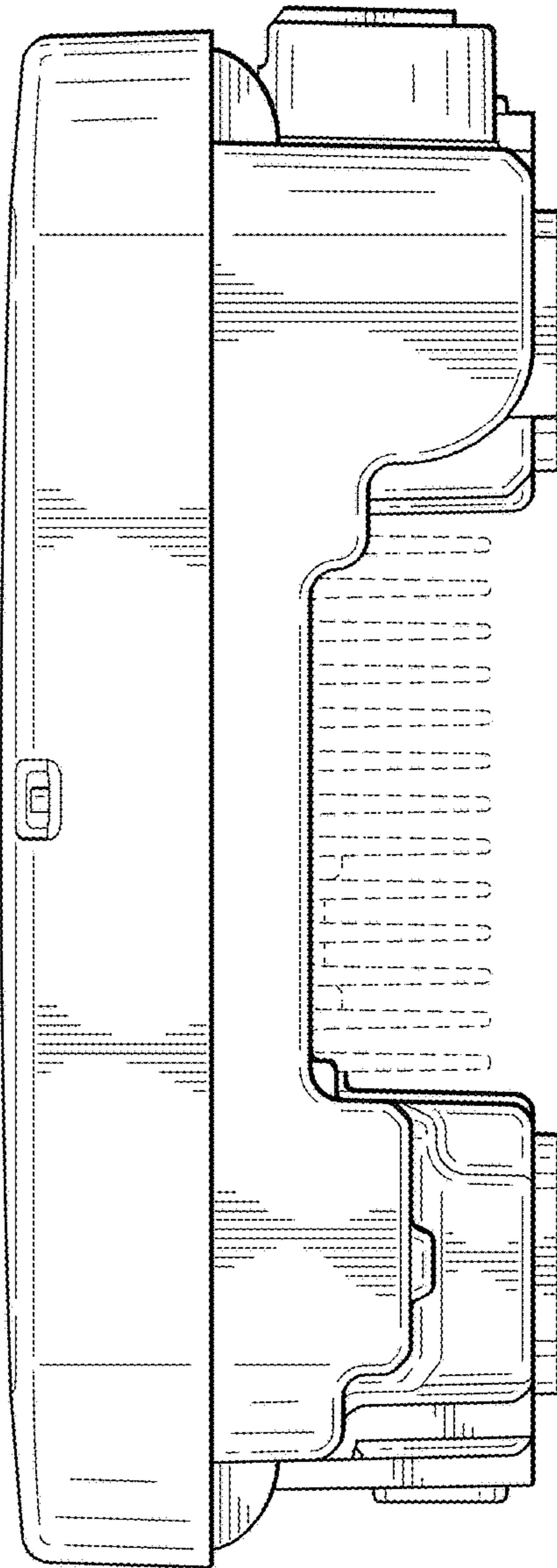


FIG. 4

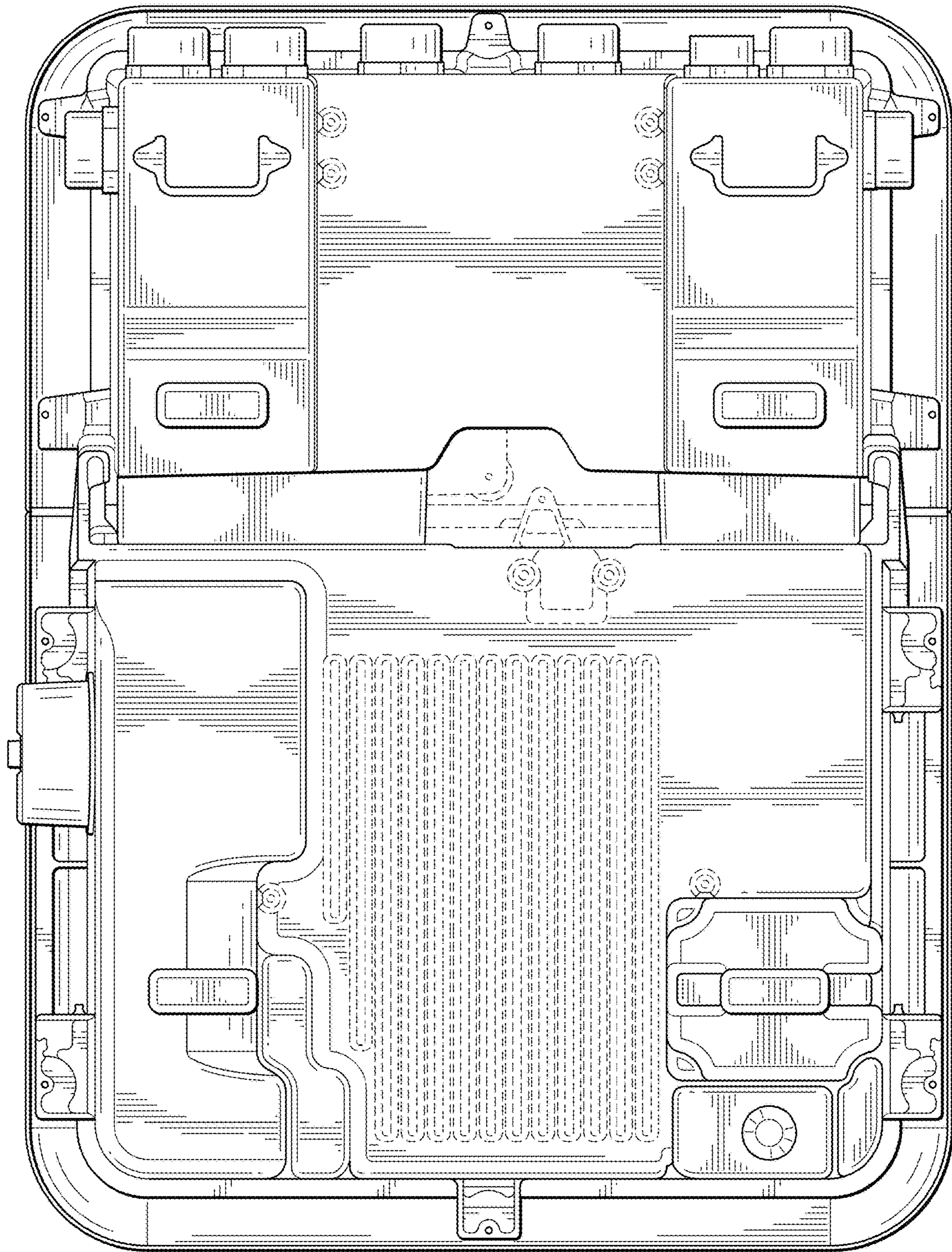


FIG. 5

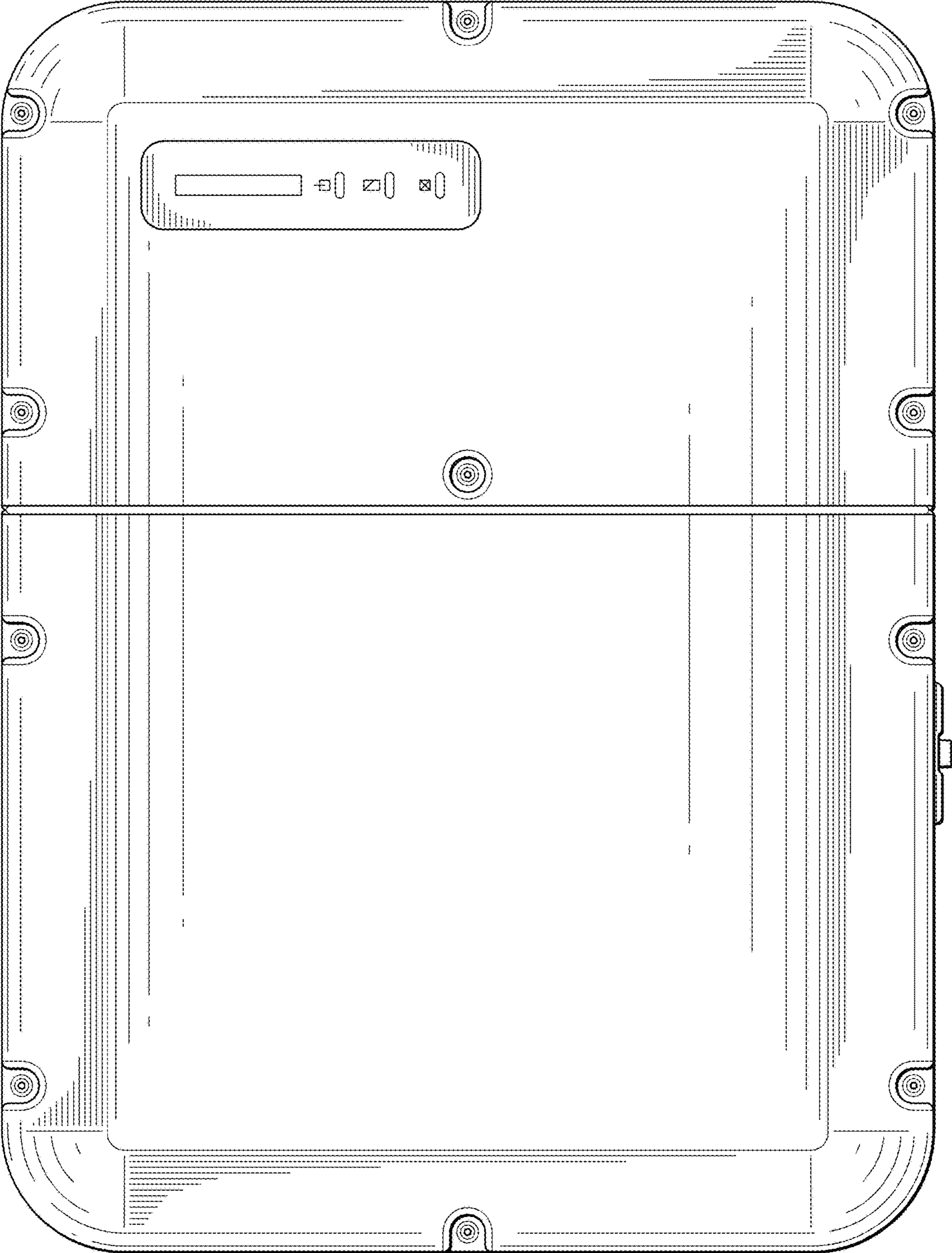


FIG. 6

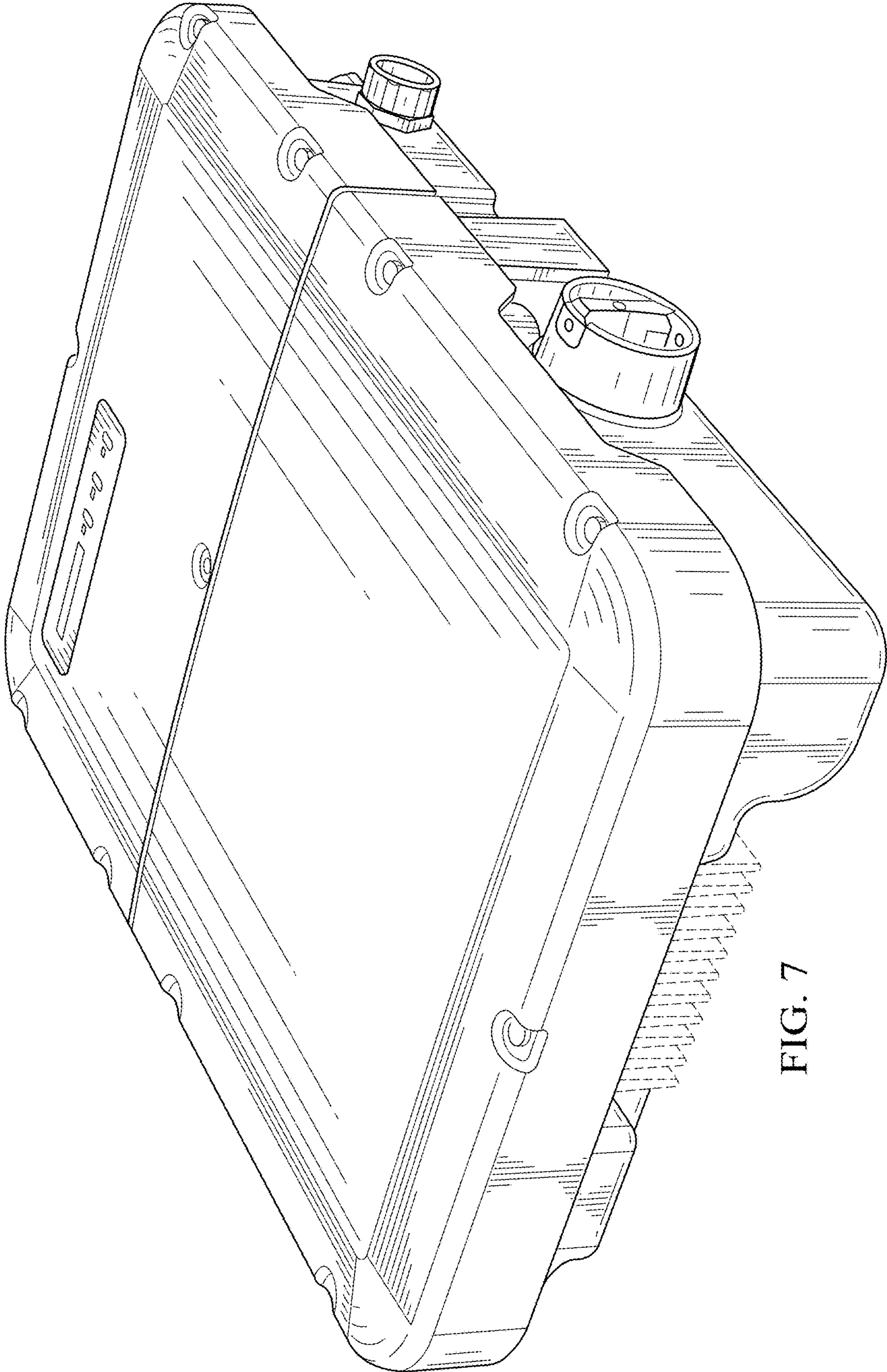


FIG. 7