



US00D798806S

(12) **United States Design Patent** (10) **Patent No.:** **US D798,806 S**
Soriano (45) **Date of Patent:** **** Oct. 3, 2017**

(54) **PLUG CHARGER**
(71) Applicant: **Superior Communications, Inc.**,
Irwindale, CA (US)
(72) Inventor: **Bryan Michael Soriano**, Pomona, CA
(US)
(73) Assignee: **SUPERIOR COMMUNICATIONS,**
INC., Irwindale, CA (US)
(**) Term: **15 Years**

D587,192 S	2/2009	McGinley et al.	
D587,193 S	2/2009	McGinley et al.	
D609,718 S *	2/2010	Chang	D14/203.3
D611,409 S	3/2010	Green et al.	
D611,416 S	3/2010	McGinley et al.	
D623,136 S *	9/2010	Andre	D13/108
D702,631 S *	4/2014	Esses	D13/108
D719,137 S *	12/2014	Cheng	D14/216
D722,593 S *	2/2015	Lin	D14/216
D726,654 S *	4/2015	Jung	D13/137.2
D729,160 S *	5/2015	Levy	D13/110
D740,751 S *	10/2015	Akana	D13/110
D786,788 S *	5/2017	Chen	D13/108
2010/0117597 A1 *	5/2010	Wang	H02J 7/0042 320/111

(21) Appl. No.: **29/537,955**
(22) Filed: **Aug. 31, 2015**
(51) **LOC (10) Cl.** **13-02**
(52) **U.S. Cl.**
USPC **D13/108**
(58) **Field of Classification Search**
USPC D13/107-110, 118-119, 184; D14/251,
D14/253, 432, 434
CPC Y02E 60/12; Y02T 90/14; Y02T 90/122;
Y02T 90/128; Y02T 90/163; H02J 7/025;
H02J 7/0042; H02J 7/0044; H02J 7/0045;
H02J 7/0003; H01F 38/14; H01R
13/6675; H01M 2/1022; H01M 2/1055;
H01M 10/44; H01M 10/46; H01M
10/425; B60L 11/182
See application file for complete search history.

* cited by examiner

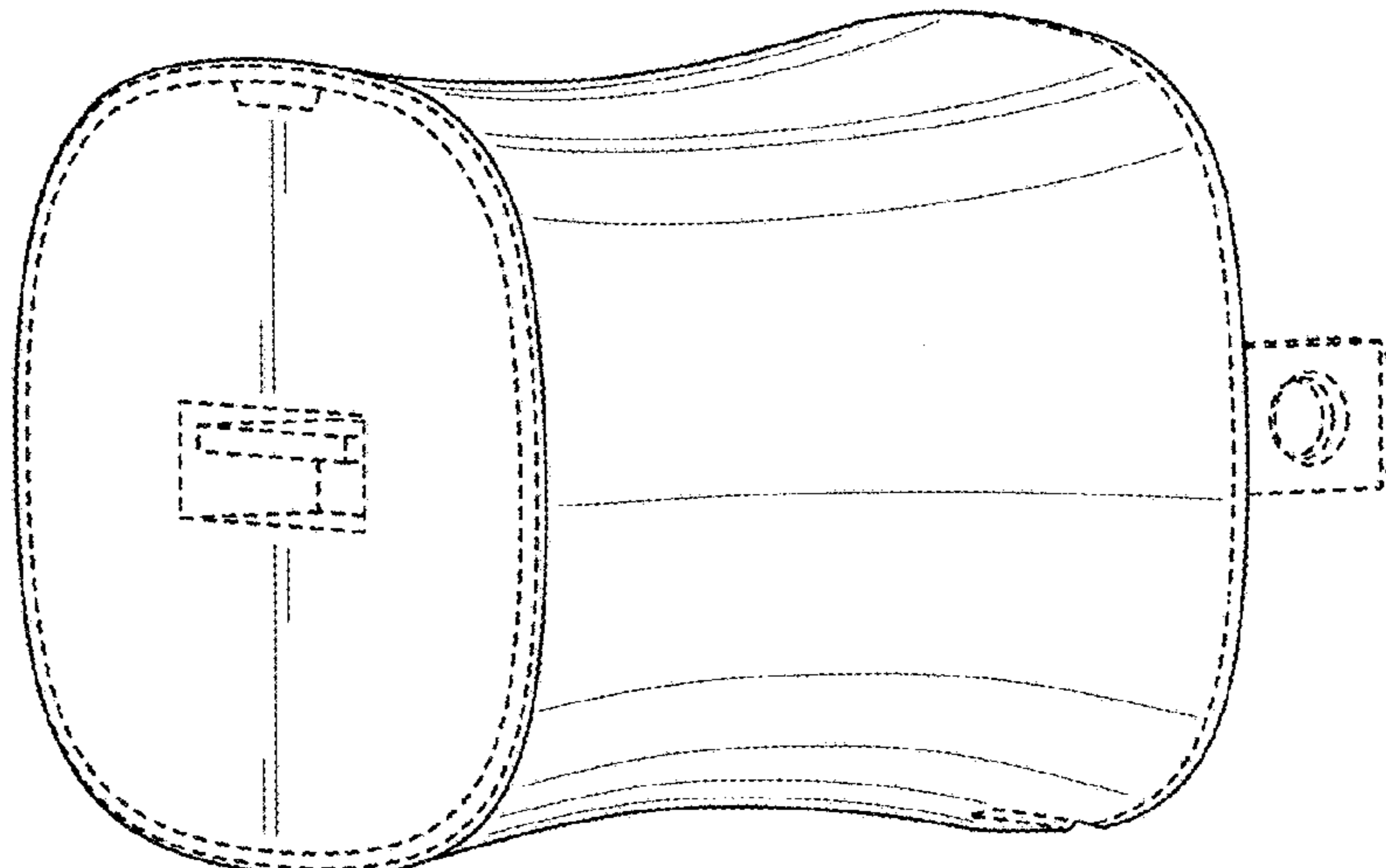
Primary Examiner — Rosemary K Tarcza
Assistant Examiner — Nathaniel D. Buckner
(74) *Attorney, Agent, or Firm* — Snell & Wilmer L.L.P.

(56) **References Cited**
U.S. PATENT DOCUMENTS
D332,251 S * 1/1993 Meinel D13/133
D376,129 S * 12/1996 Muller D13/137.1
D583,316 S 12/2008 Säde et al.

(57) **CLAIM**
I claim the ornamental design for a plug charger, as shown and described.

DESCRIPTION
FIG. 1 is a rear perspective view of the plug charger showing my new design;
FIG. 2 is a rear view of the plug charger;
FIG. 3 is a front view of the plug charger;
FIG. 4 is a left side view of the plug charger;
FIG. 5 is a right side view of the plug charger;
FIG. 6 is a top view of the plug charger; and,
FIG. 7 is a bottom view of the plug charger.
The broken lines in the figures represent portions of the article which form no part of the claim.

1 Claim, 7 Drawing Sheets



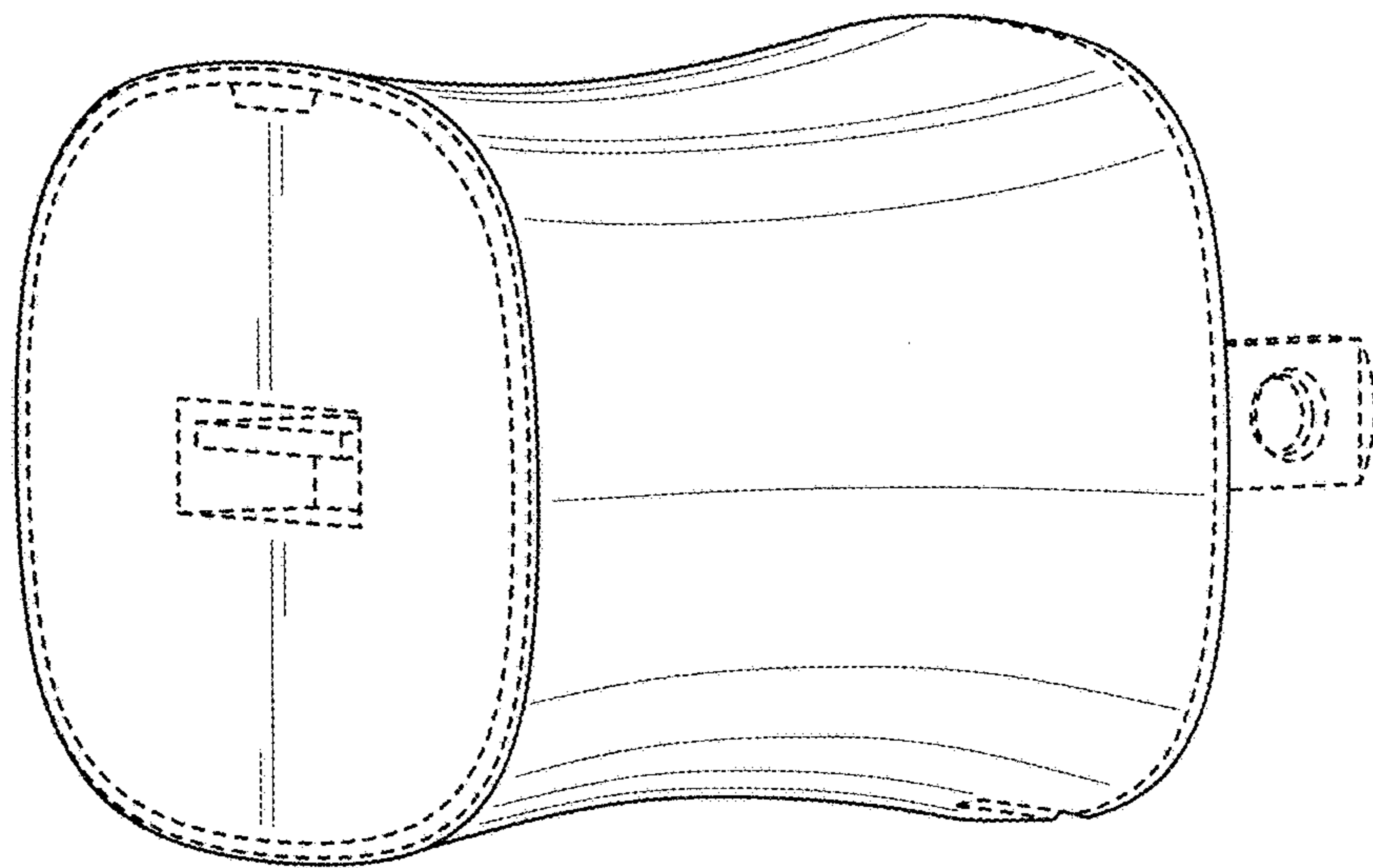


FIG. 1

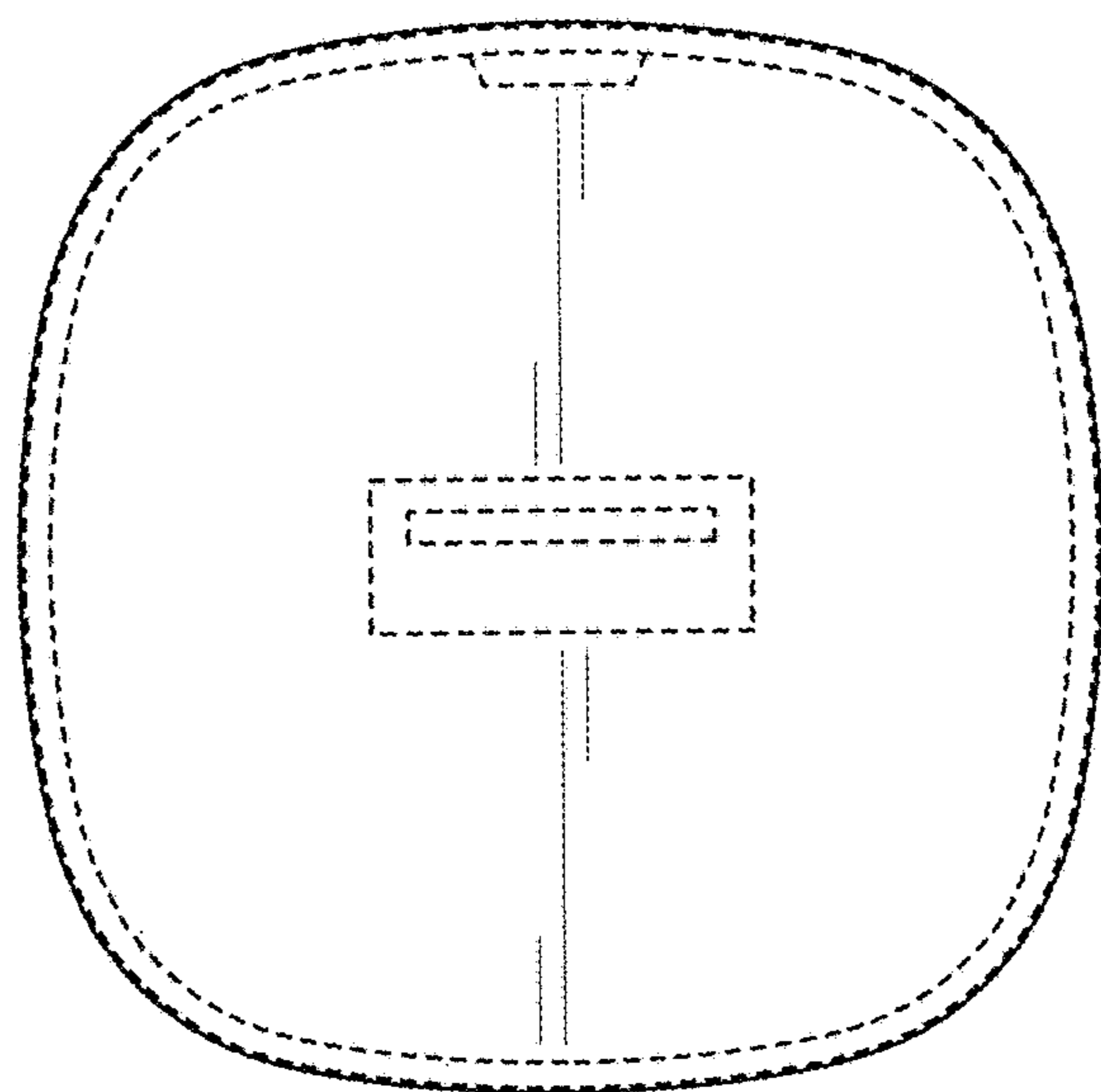


FIG. 2

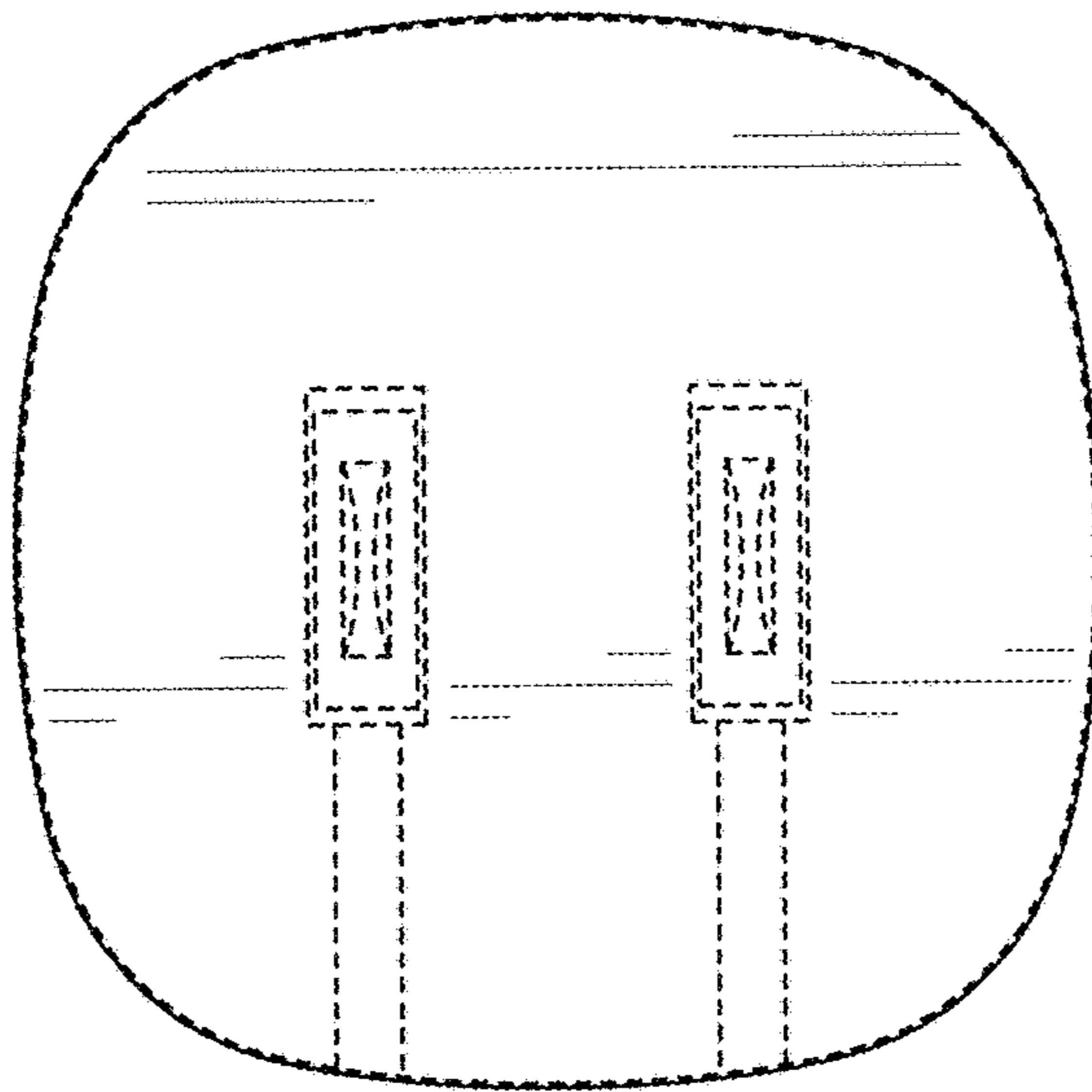


FIG. 3

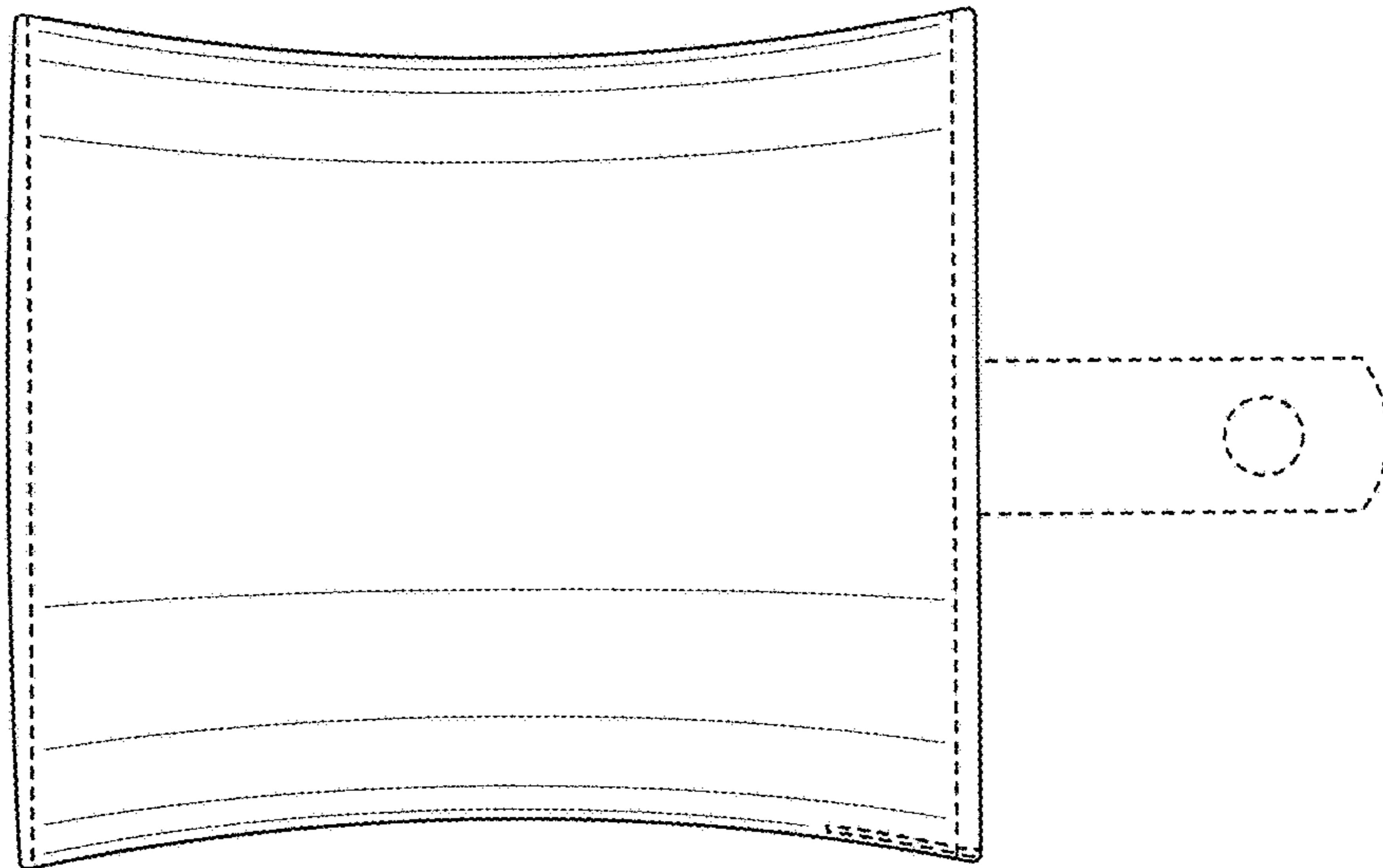


FIG. 4

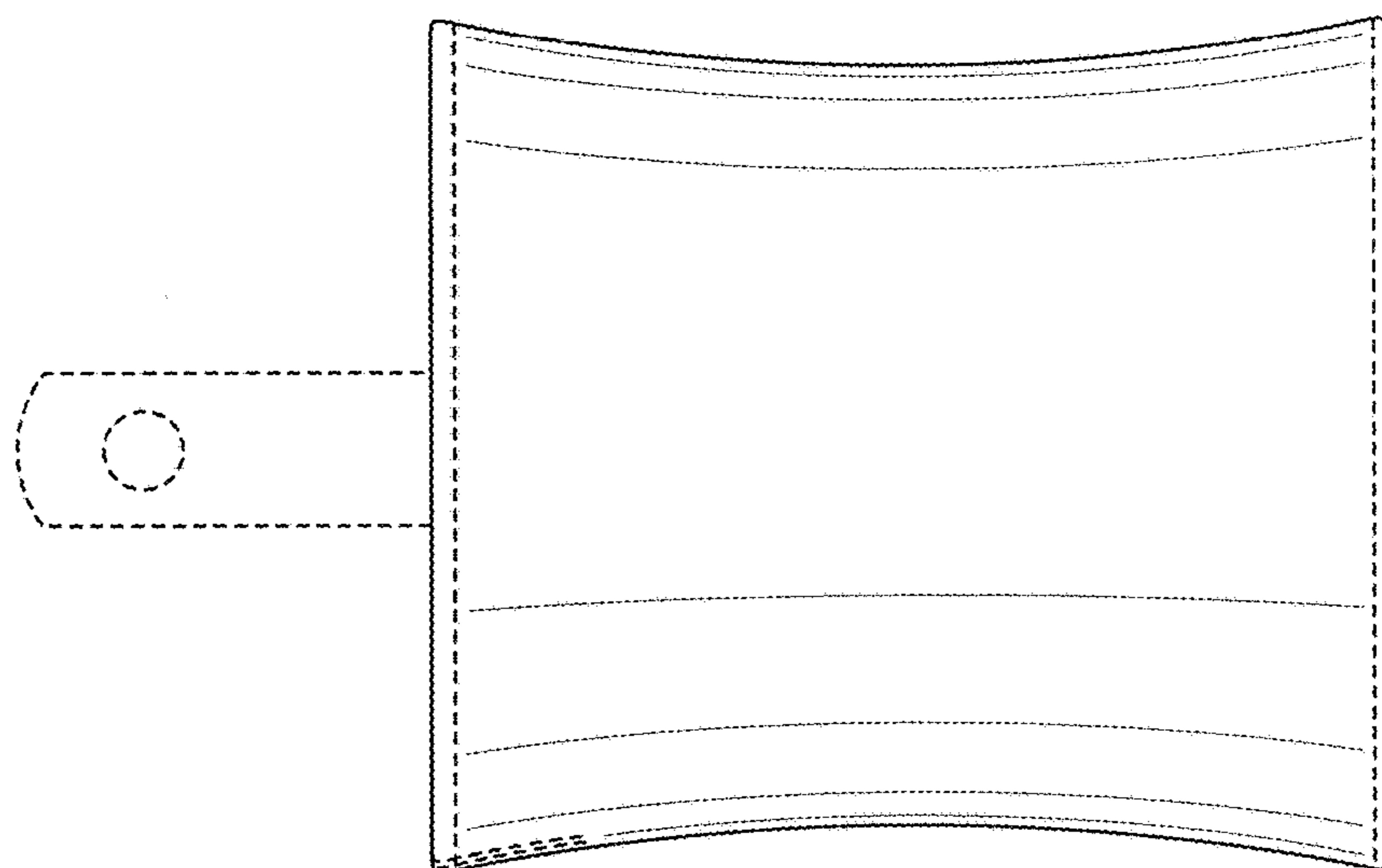


FIG. 5

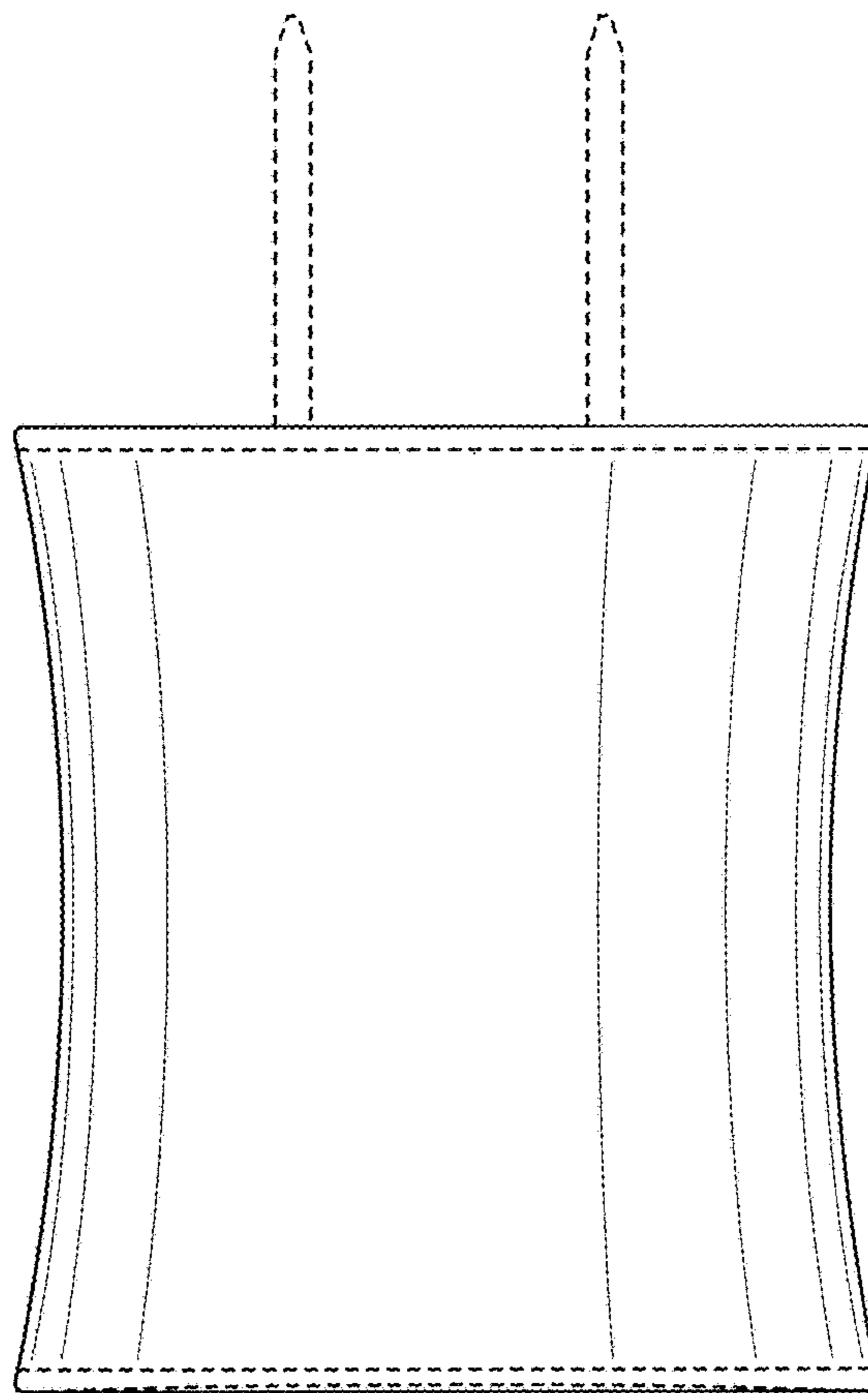


FIG. 6

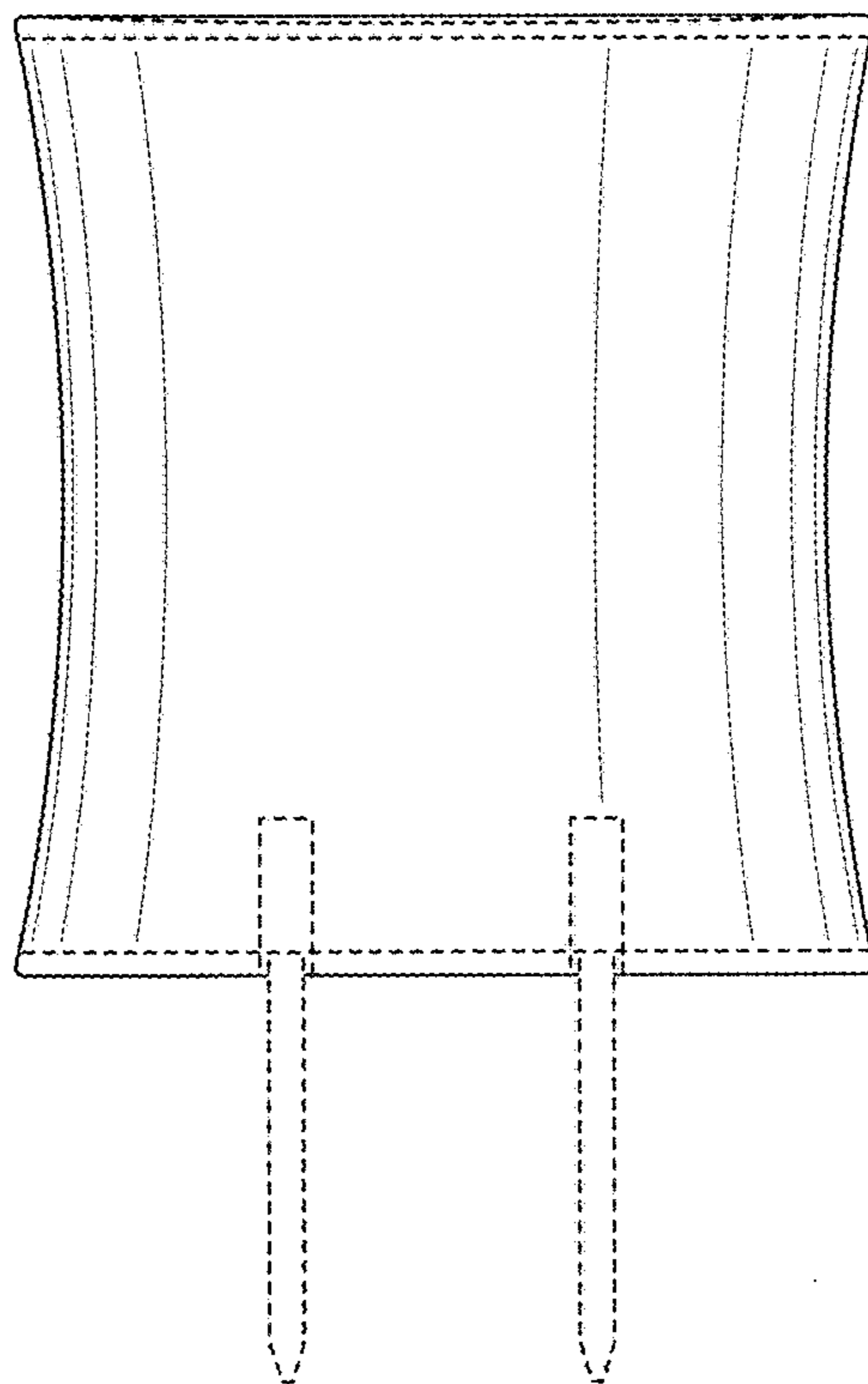


FIG. 7