



US00D798800S

(12) **United States Design Patent** (10) **Patent No.:** **US D798,800 S**
Davis et al. (45) **Date of Patent:** **** Oct. 3, 2017**

(54) **TIRE**
(71) Applicant: **The Goodyear Tire & Rubber Company, Akron, OH (US)**
(72) Inventors: **Christopher Byron Davis, North Canton, OH (US); Nicholas Thomas Schoeppner, Cuyahoga Falls, OH (US); Jonathan James Shondel, Massillon, OH (US)**
(73) Assignee: **The Goodyear Tire & Rubber Company, Akron, OH (US)**
(**) Term: **14 Years**

D592,586 S	5/2009	Maxwell et al.	D12/531
D593,931 S	6/2009	Fontaine et al.	D12/521
D601,079 S	9/2009	Hughes et al.	D12/521
D601,485 S	10/2009	Hughes et al.	D12/521
D601,940 S	10/2009	Hughes et al.	D12/521
D601,941 S	10/2009	Ashton et al.	D12/531
D609,161 S	* 2/2010	Fontaine	D12/517
D619,955 S	7/2010	Ashton et al.	D12/521
D630,998 S	* 1/2011	Schmalix	D12/519
D634,261 S	3/2011	Schmalix et al.	D12/519
D639,720 S	* 6/2011	Harvey	D12/521
D639,721 S	* 6/2011	Berryman	D12/532
D643,799 S	* 8/2011	Berryman	D12/523
D644,592 S	* 9/2011	Grabo	D12/519
D662,451 S	* 6/2012	Schmalix	D12/521
D664,083 S	* 7/2012	Scheifele	D12/519
D671,884 S	12/2012	Youn	D12/521
D684,920 S	* 6/2013	Maxwell	D12/521

(Continued)

(21) Appl. No.: **29/510,670**
(22) Filed: **Dec. 2, 2014**
(51) **LOC (10) Cl.** **12-15**
(52) **U.S. Cl.**
USPC **D12/516**
(58) **Field of Classification Search**
USPC D12/505-532
CPC B60C 11/0302; B60C 11/0304; B60C 11/0306; B60C 11/0309; B60C 11/0311; B60C 11/0318; B60C 11/0337; B60C 11/0339; B60C 11/042; B60C 11/00; B60C 11/11; B60C 11/12; B60C 11/13
See application file for complete search history.

Primary Examiner — Sandra Snapp
Assistant Examiner — Katherine Glennon
(74) *Attorney, Agent, or Firm* — Robert N. Lipsik

(57) **CLAIM**

The ornamental design for a tire, as shown and described.

DESCRIPTION

FIG. 1 is a perspective view of a tire showing our new design, it being understood that the pattern repeats uniformly throughout the circumference of the tread;
FIG. 2 is a front elevational view thereof;
FIG. 3 is a right side elevational view thereof;
FIG. 4 is a left side elevational view thereof; and,
FIG. 5 is an enlarged fragmentary front elevational view thereof.

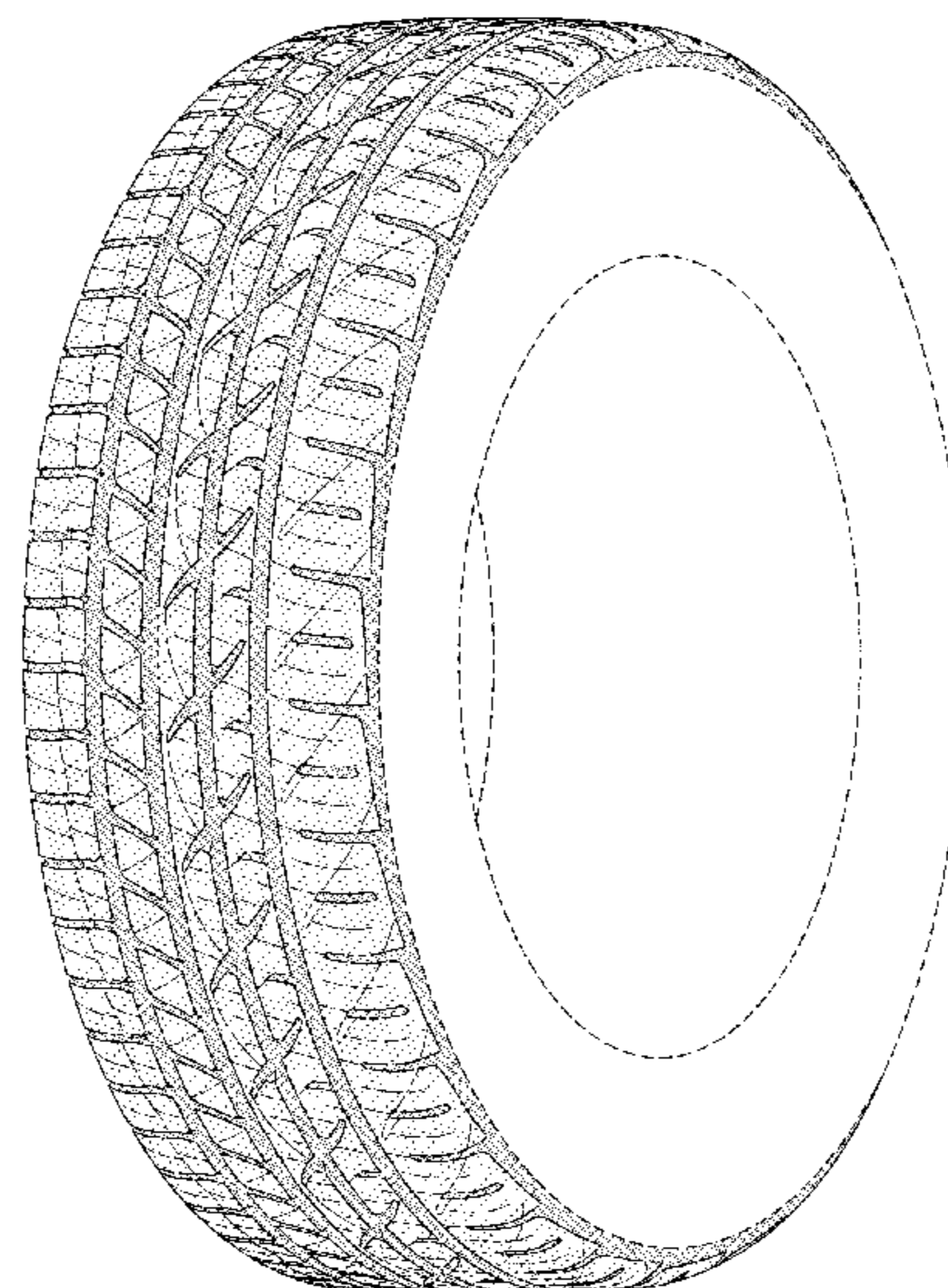
In the drawings, the broken lines showing of the sidewall, inner bead and the peripheral boundary between the tire tread and the sidewall in FIGS. 1 through 5 depict environmental subject matter and form no part of the claimed design.

1 Claim, 5 Drawing Sheets

(56) **References Cited**

U.S. PATENT DOCUMENTS

D524,234 S	*	7/2006	Schmalix	D12/521
D551,157 S		9/2007	Shondel	D12/524
D557,195 S		12/2007	Fontaine et al.	D12/524
D571,283 S		6/2008	Neidert et al.	D12/524
D574,316 S		8/2008	Neidert et al.	D12/514
D577,655 S		9/2008	Heinen	D12/521
D584,215 S		1/2009	Shavers et al.	D12/532



(56)

References Cited

U.S. PATENT DOCUMENTS

D694,702	S	12/2013	Leconte et al.	D12/521
D699,663	S *	2/2014	Dixon	D12/521
D710,293	S	8/2014	Fontaine et al.	D12/588
D719,906	S *	12/2014	Kato	D12/519
D753,051	S *	4/2016	Kato	D12/584
D753,052	S *	4/2016	Kato	D12/584
2011/0067793	A1 *	3/2011	Nukushina	B60C 11/0306 152/209.8

* cited by examiner

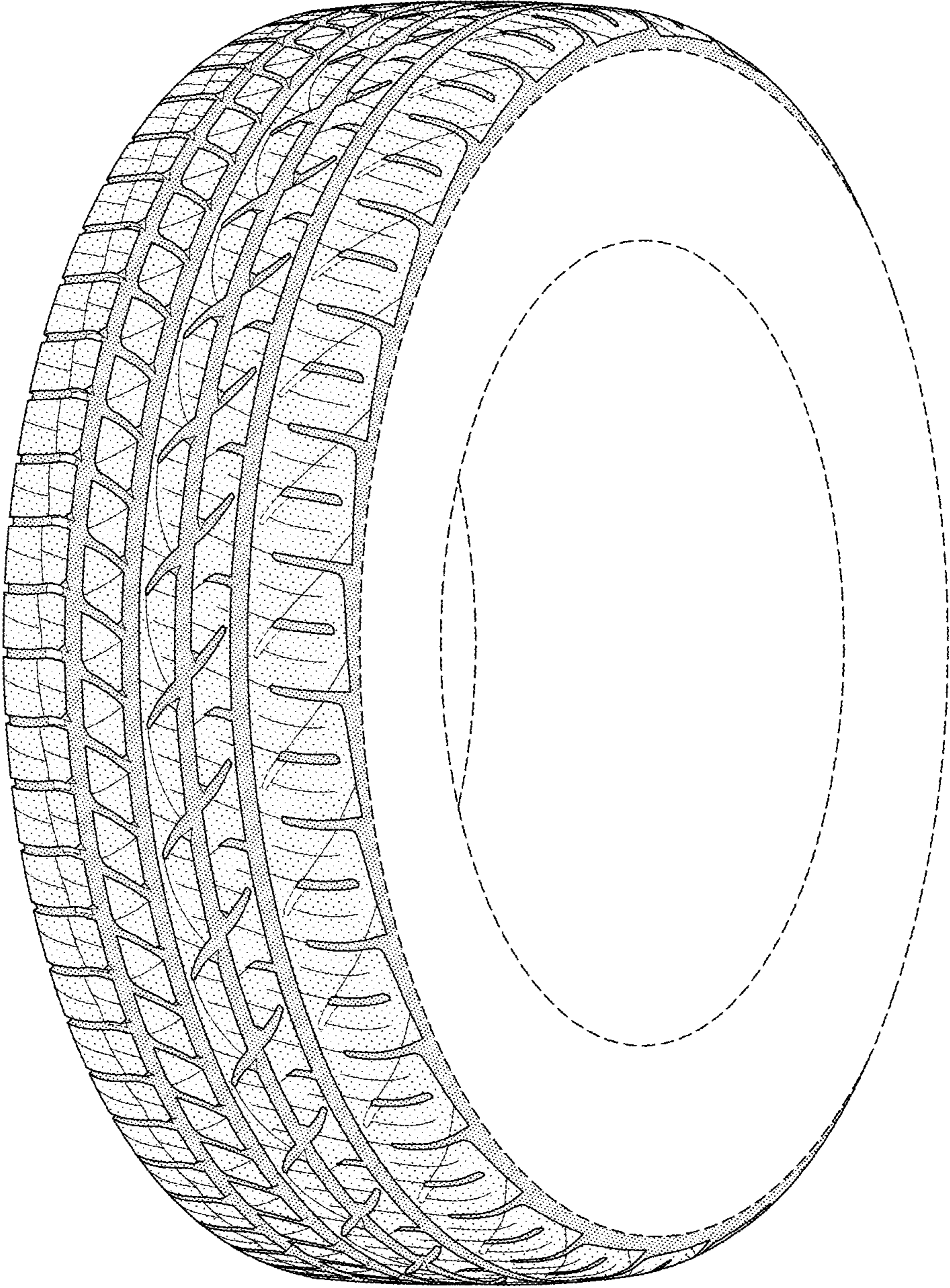


FIG-1

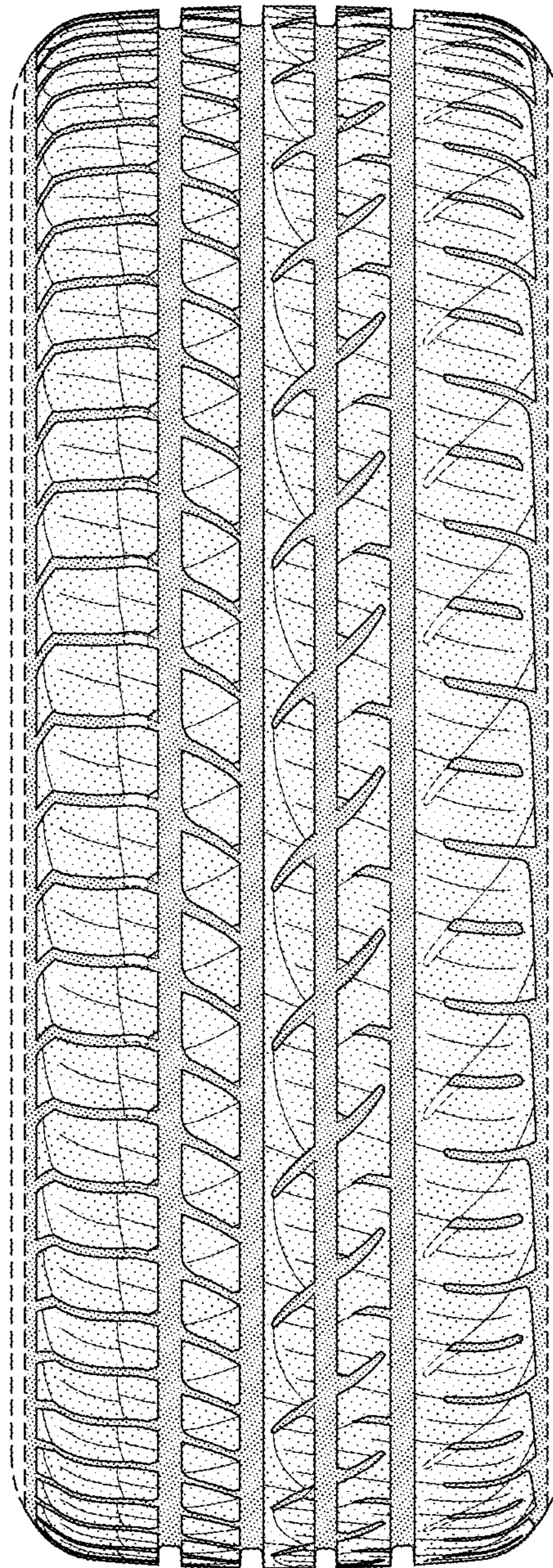


FIG-2

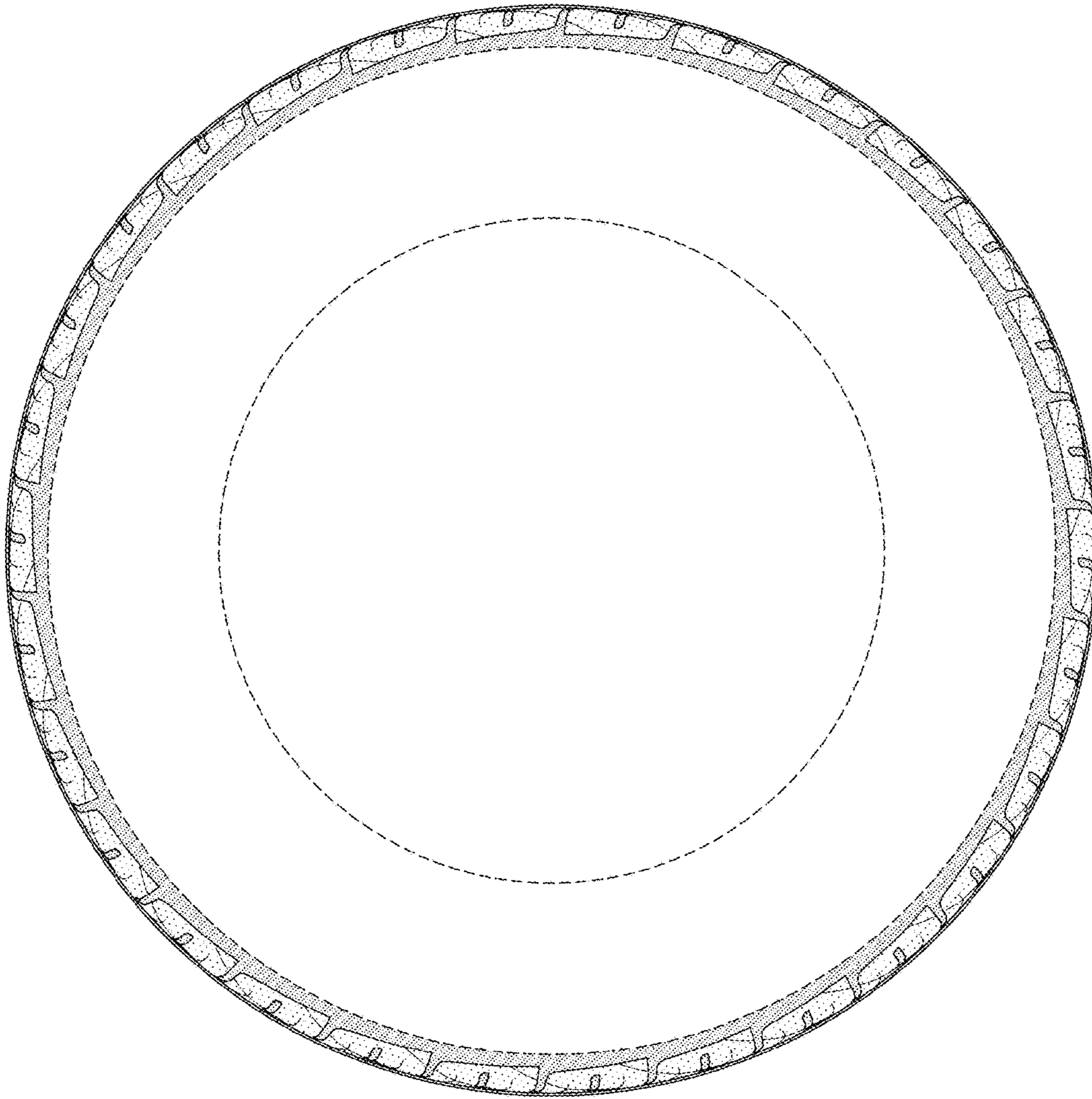


FIG-3

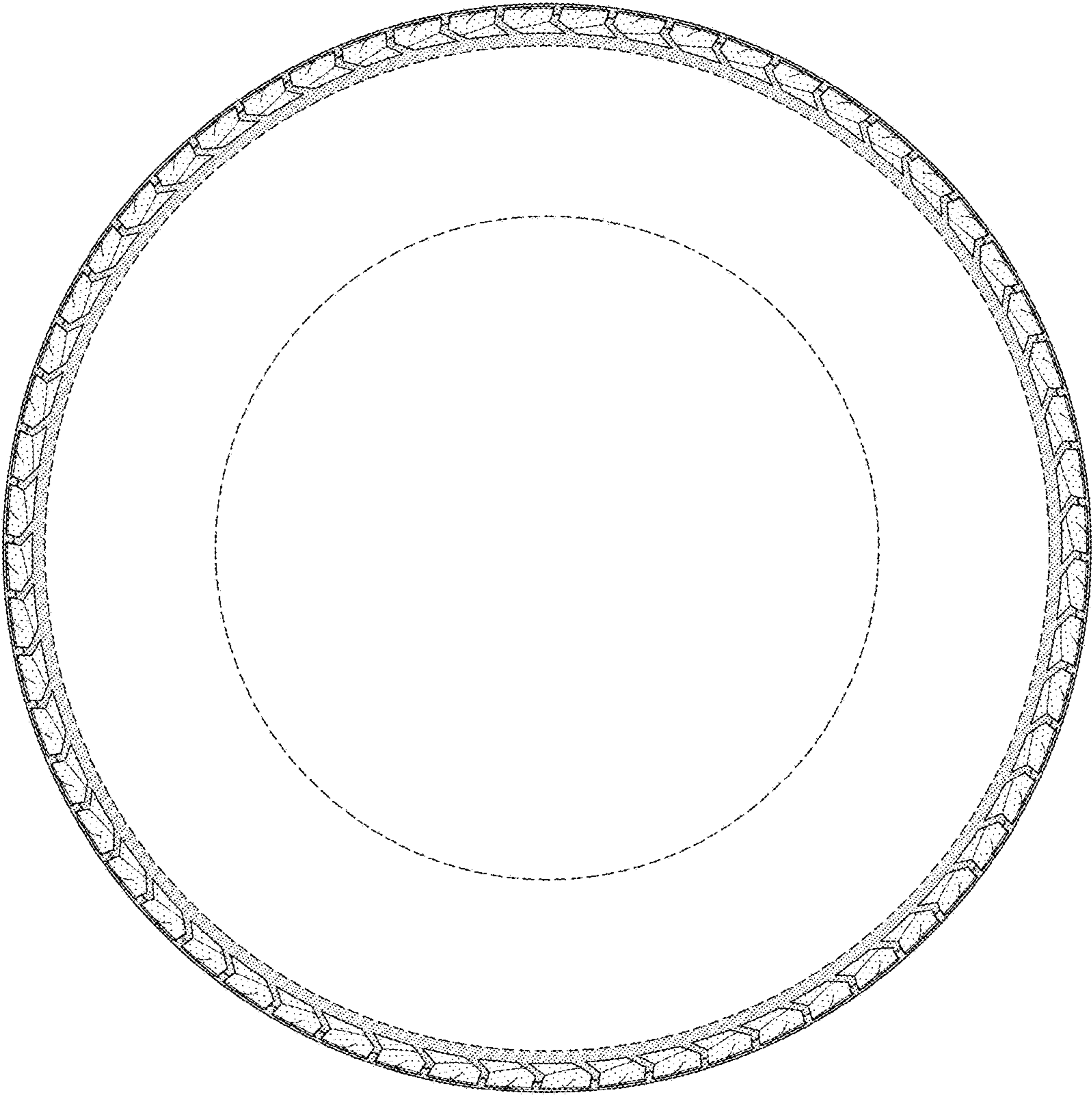


FIG-4

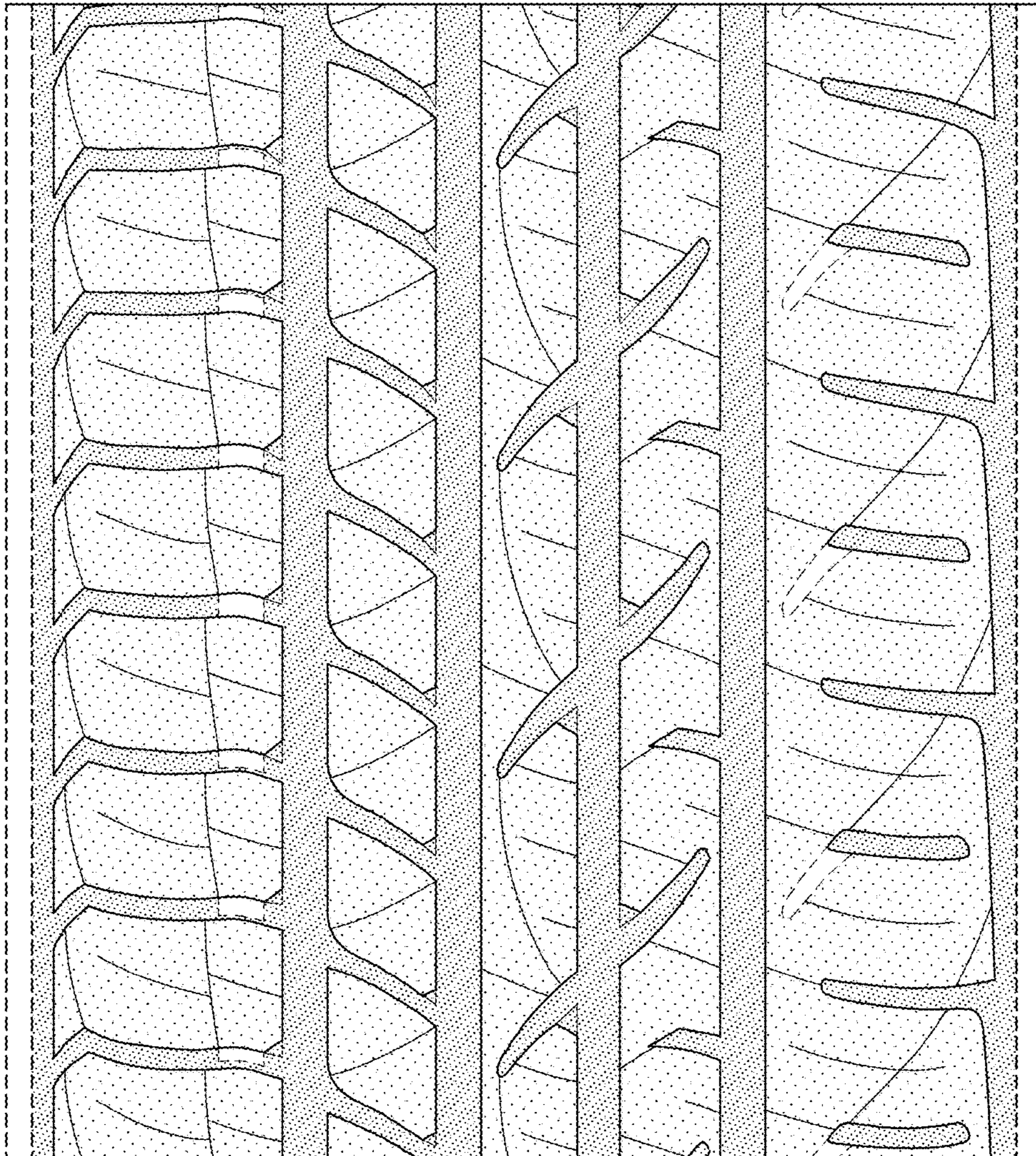


FIG-5